



US00D751669S

(12) **United States Design Patent**  
**Bahler**

(10) **Patent No.:** **US D751,669 S**  
(45) **Date of Patent:** **\*\* Mar. 15, 2016**

(54) **HANDHELD SHOWER**  
(71) Applicant: **Delta Faucet Company**, Indianapolis,  
IN (US)  
(72) Inventor: **Jordan Renee Bahler**, Frankfort, IN  
(US)  
(73) Assignee: **DELTA FAUCET COMPANY**,  
Indianapolis, IN (US)

D579,517 S \* 10/2008 Corbett ..... D23/223  
D652,892 S \* 1/2012 Obara ..... D23/213  
D655,383 S \* 3/2012 Flowers ..... D23/223  
D674,048 S \* 1/2013 Yoo ..... D23/223  
D674,879 S \* 1/2013 Spangler ..... D23/223

\* cited by examiner

*Primary Examiner* — Robin V Webster

(74) *Attorney, Agent, or Firm* — Edgar A. Zaris; Nirav D. Parikh

(\*\*) Term: **14 Years**  
(21) Appl. No.: **29/513,715**  
(22) Filed: **Jan. 5, 2015**

(51) **LOC (10) Cl.** ..... **23-01**  
(52) **U.S. Cl.**  
USPC ..... **D23/223**  
(58) **Field of Classification Search**  
USPC ..... D23/213, 229, 230, 201; 239/282, 283,  
239/211, 587.1–587.5, 566; 4/615  
CPC ..... B05B 1/18; B05B 1/10; B05B 15/08;  
B05B 3/00  
See application file for complete search history.

(57) **CLAIM**

The ornamental design for a handheld shower, as shown and described.

**DESCRIPTION**

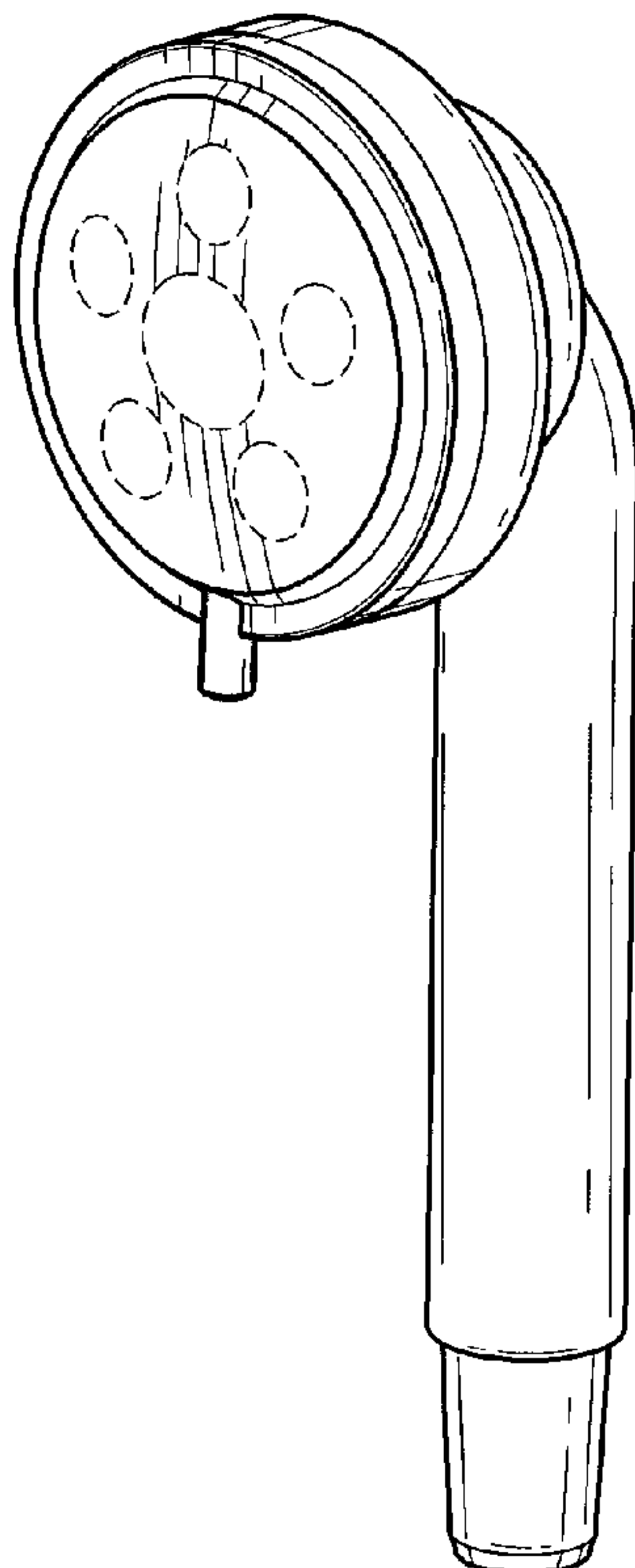
FIG. 1 is a perspective view of a handheld shower showing my new design;  
FIG. 2 is a top end view thereof;  
FIG. 3 is a bottom end view thereof;  
FIG. 4 is a right side view thereof, the opposite side being a mirror image of the side shown;  
FIG. 5 is a front view thereof; and,  
FIG. 6 is a rear view thereof.  
The broken line showing of the water spray openings in FIGS. 1-5, is included for the purpose of illustrating and forms no part of the claimed design.

(56) **References Cited**

**U.S. PATENT DOCUMENTS**

D457,598 S \* 5/2002 Storti ..... D23/223  
D518,145 S \* 3/2006 Nikles ..... D23/223

**1 Claim, 2 Drawing Sheets**



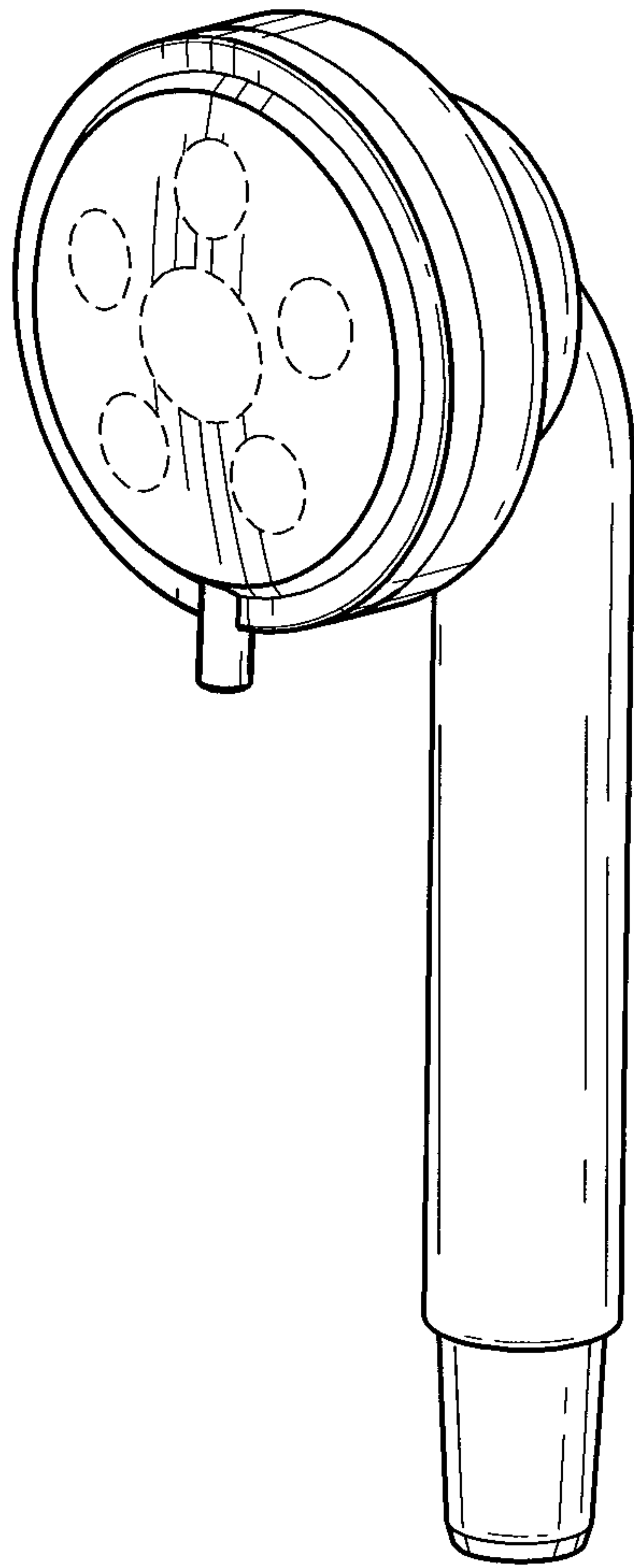


Fig-1

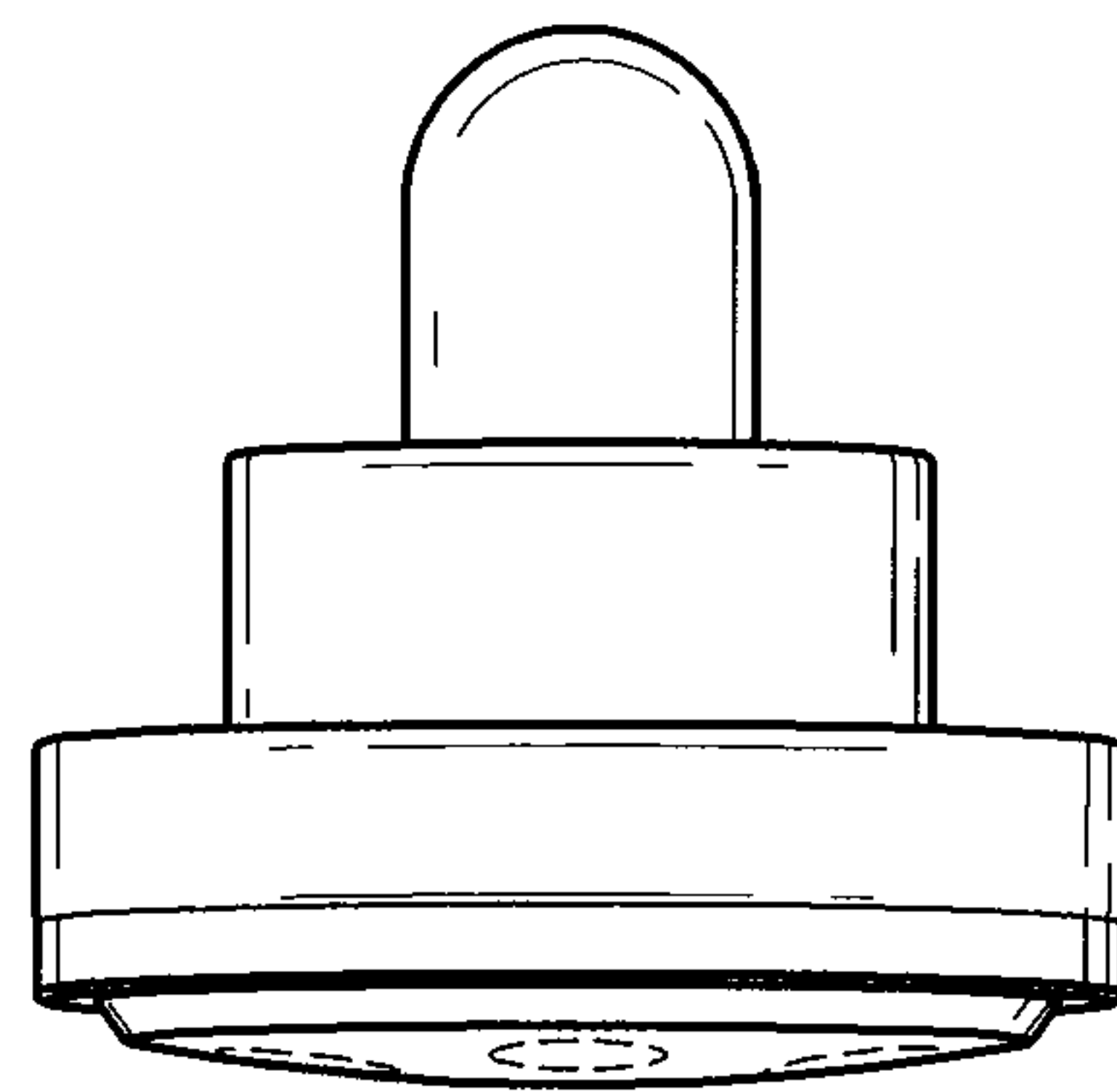


Fig-2

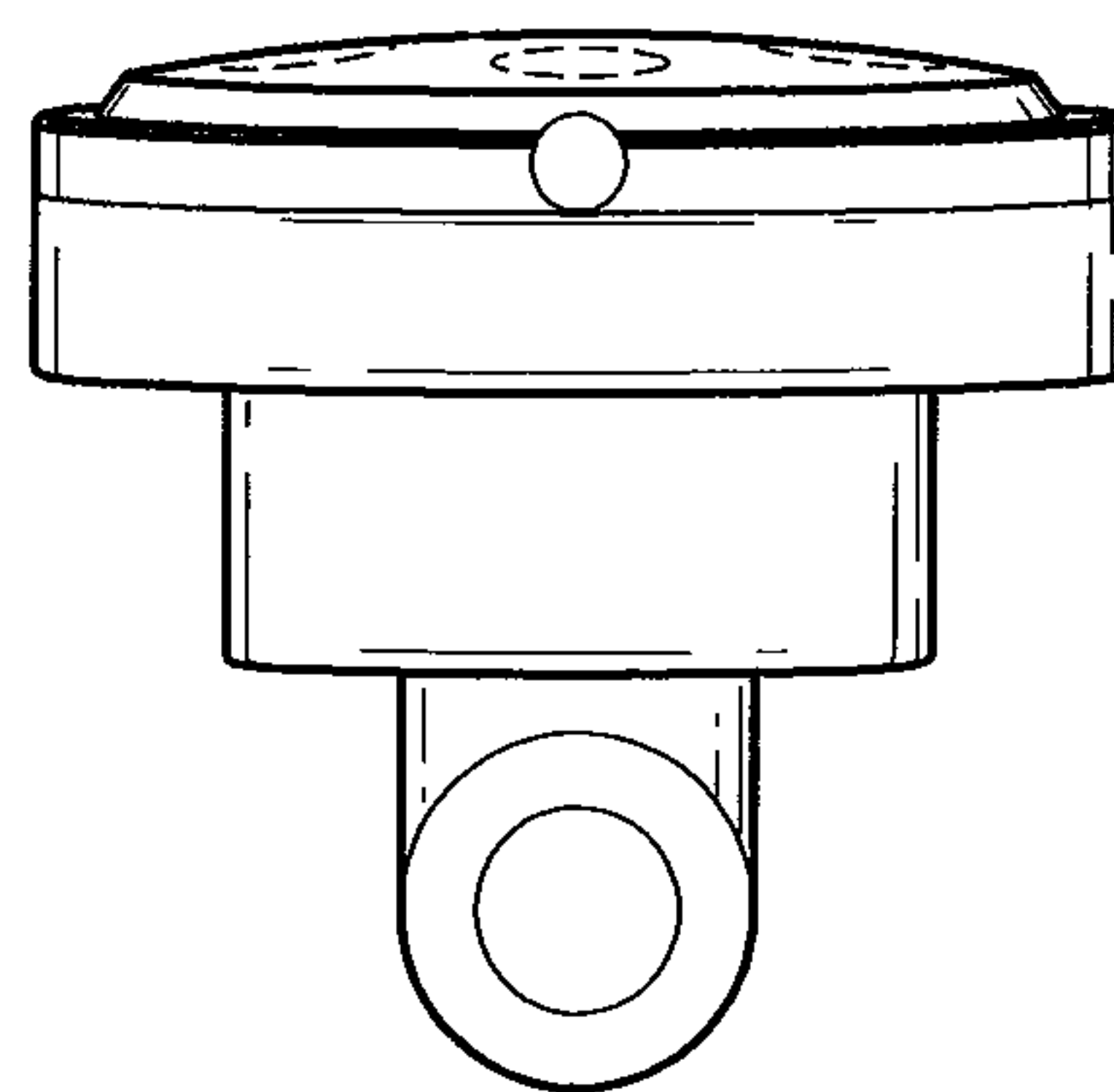


Fig-3

