



US00D751668S

(12) **United States Design Patent**
Salsberg

(10) **Patent No.:** **US D751,668 S**
(45) **Date of Patent:** **** Mar. 15, 2016**

- (54) **LAWN SPRINKLER**
- (71) Applicant: **Paul Salsberg**, Toronto (CA)
- (72) Inventor: **Paul Salsberg**, Toronto (CA)
- (**) Term: **15 Years**
- (21) Appl. No.: **29/548,961**
- (22) Filed: **Dec. 17, 2015**

5,853,125 A * 12/1998 Murray A01G 25/167
137/78.3

6,019,290 A 2/2000 Frott

D497,973 S * 11/2004 Schapper D23/217

D523,523 S * 6/2006 Burnworth D23/217

7,613,546 B2 * 11/2009 Nelson A01G 25/165
239/63

8,905,152 B2 12/2014 Kling et al.

2006/0059683 A1 3/2006 Catalogna et al.

2013/0255783 A1 10/2013 Runge et al.

2014/0339326 A1 11/2014 Salsberg

* cited by examiner

Related U.S. Application Data

- (63) Continuation-in-part of application No. 13/894,885, filed on May 15, 2013.
- (51) **LOC (10) Cl.** **23-01**
- (52) **U.S. Cl.**
USPC **D23/214**
- (58) **Field of Classification Search**
USPC D23/213, 214, 217, 221; 239/200, 273,
239/276, 63
CPC B05B 15/062; B05B 12/12
See application file for complete search history.

Primary Examiner — Robin V Webster

(74) *Attorney, Agent, or Firm* — IP Global Patents; Andrew Alia; Carrie Stroup

(57) **CLAIM**

The ornamental design for a lawn sprinkler, as shown and described.

DESCRIPTION

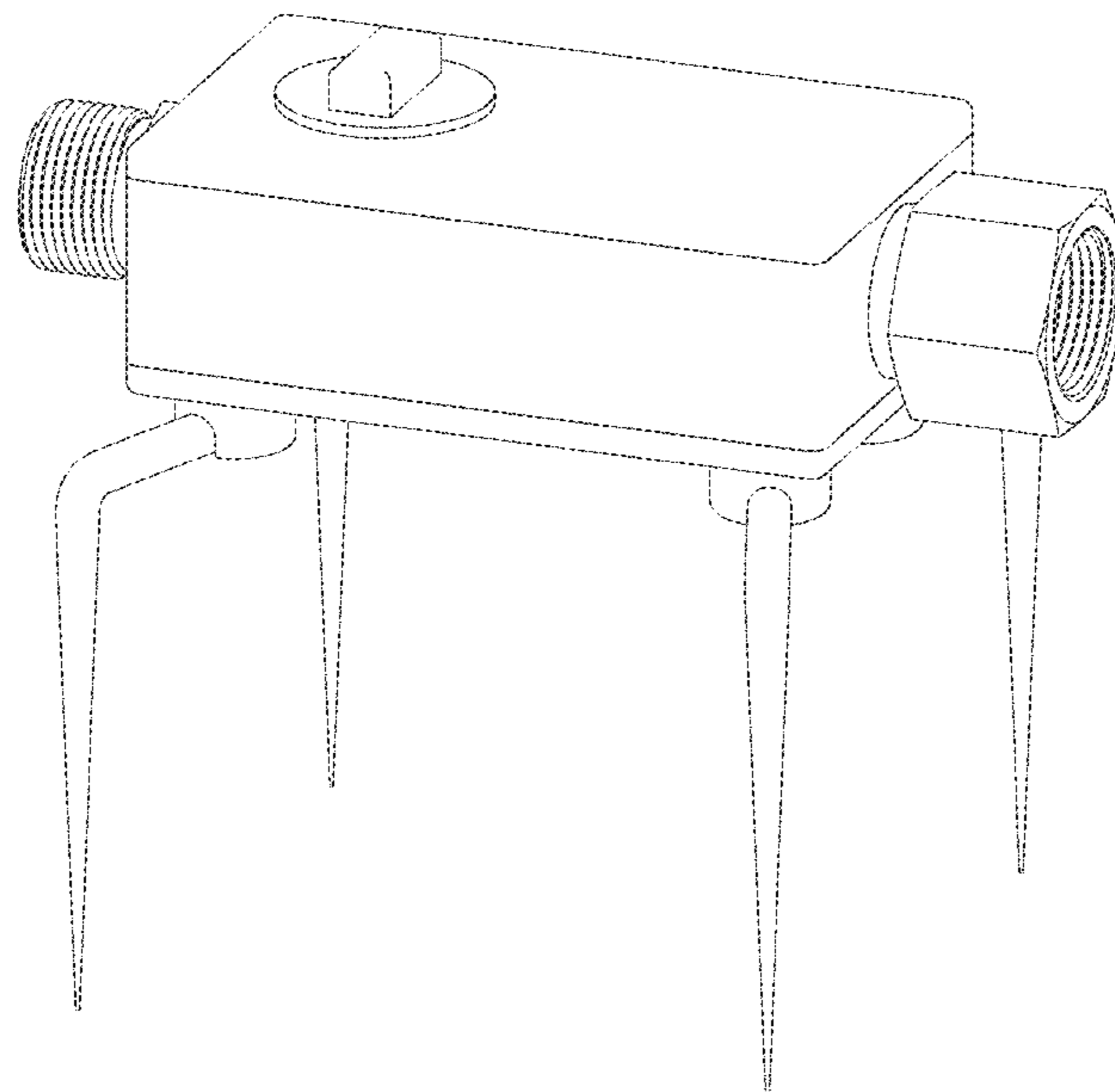
FIG. 1 is a right perspective view of the lawn sprinkler;
 FIG. 2 is a left perspective view thereof;
 FIG. 3 is a right side elevational view thereof,
 FIG. 4 is a left side elevational view thereof;
 FIG. 5 is a top plan view thereof;
 FIG. 6 is a bottom plan view thereof; and,
 FIG. 7 is front elevational view thereof, the back elevational view being a mirror image thereof.

1 Claim, 7 Drawing Sheets

(56) **References Cited**

U.S. PATENT DOCUMENTS

- 2,566,781 A * 9/1951 Tetzlaff B05B 1/262
239/273
- 4,852,802 A 8/1989 Iggulden et al.
- 5,172,515 A * 12/1992 Lapshansky, Sr. B05B 15/062
239/276
- 5,806,769 A * 9/1998 Womack A01G 25/02
239/273



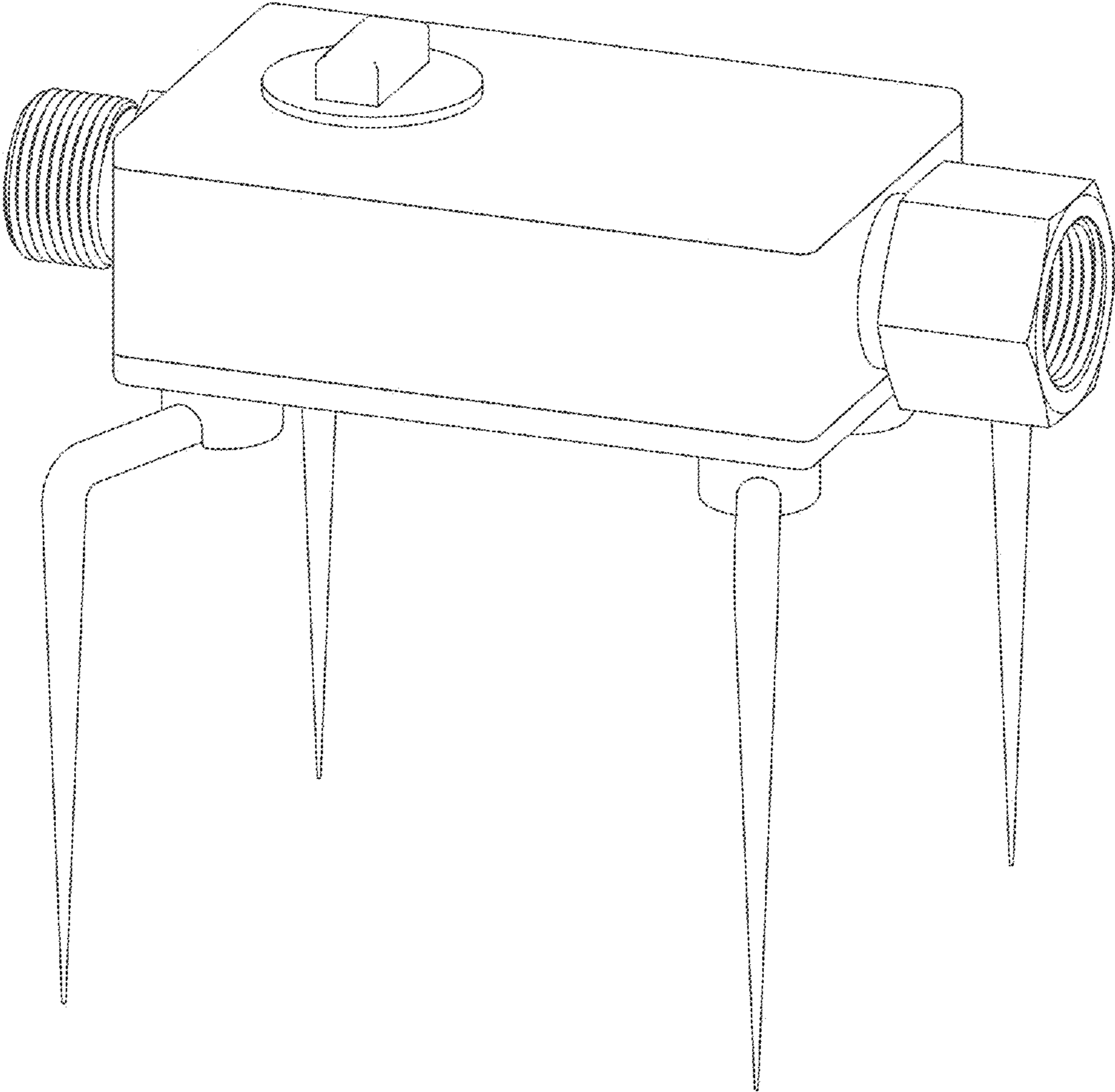


FIG. 1

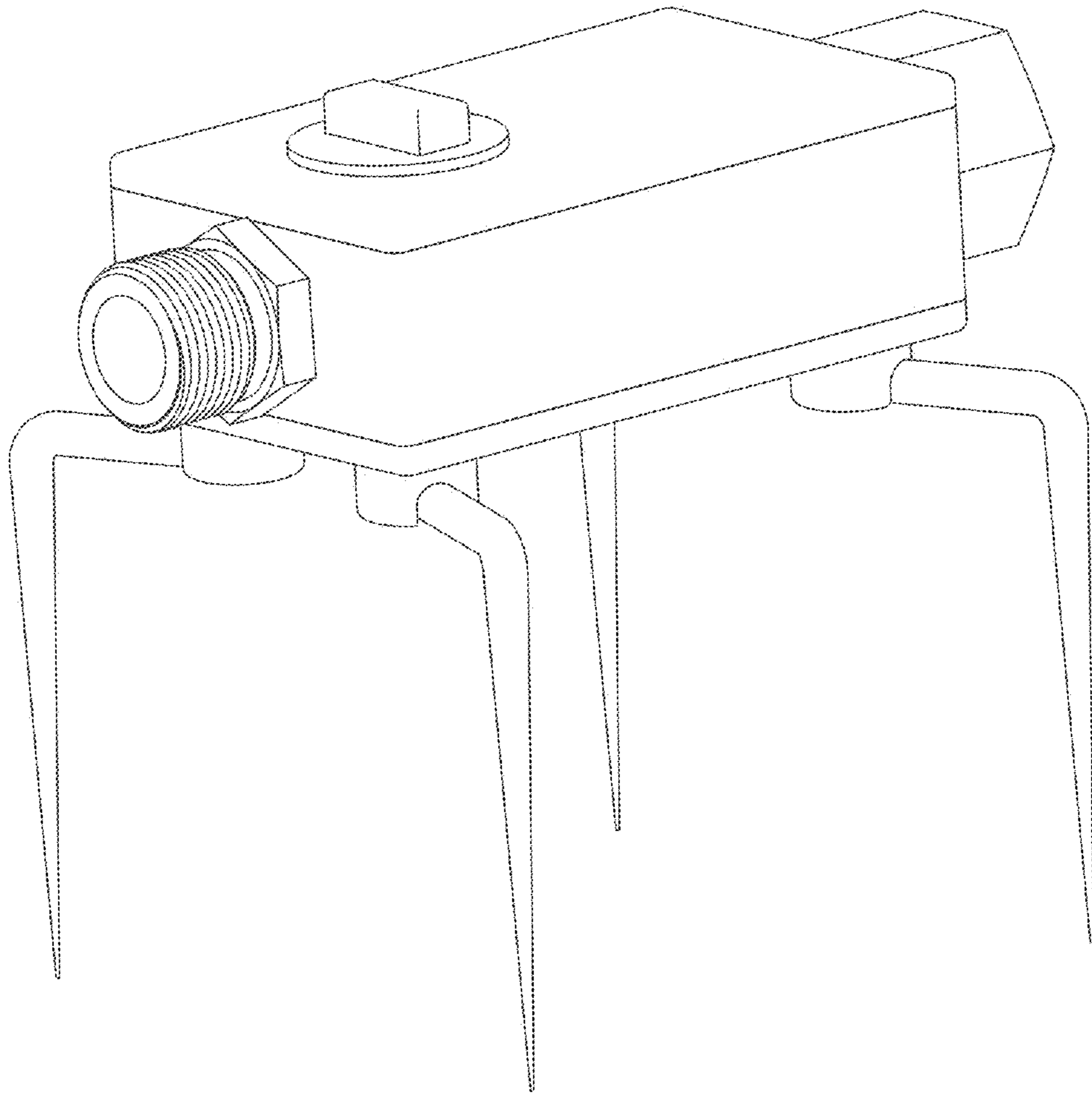


FIG. 2

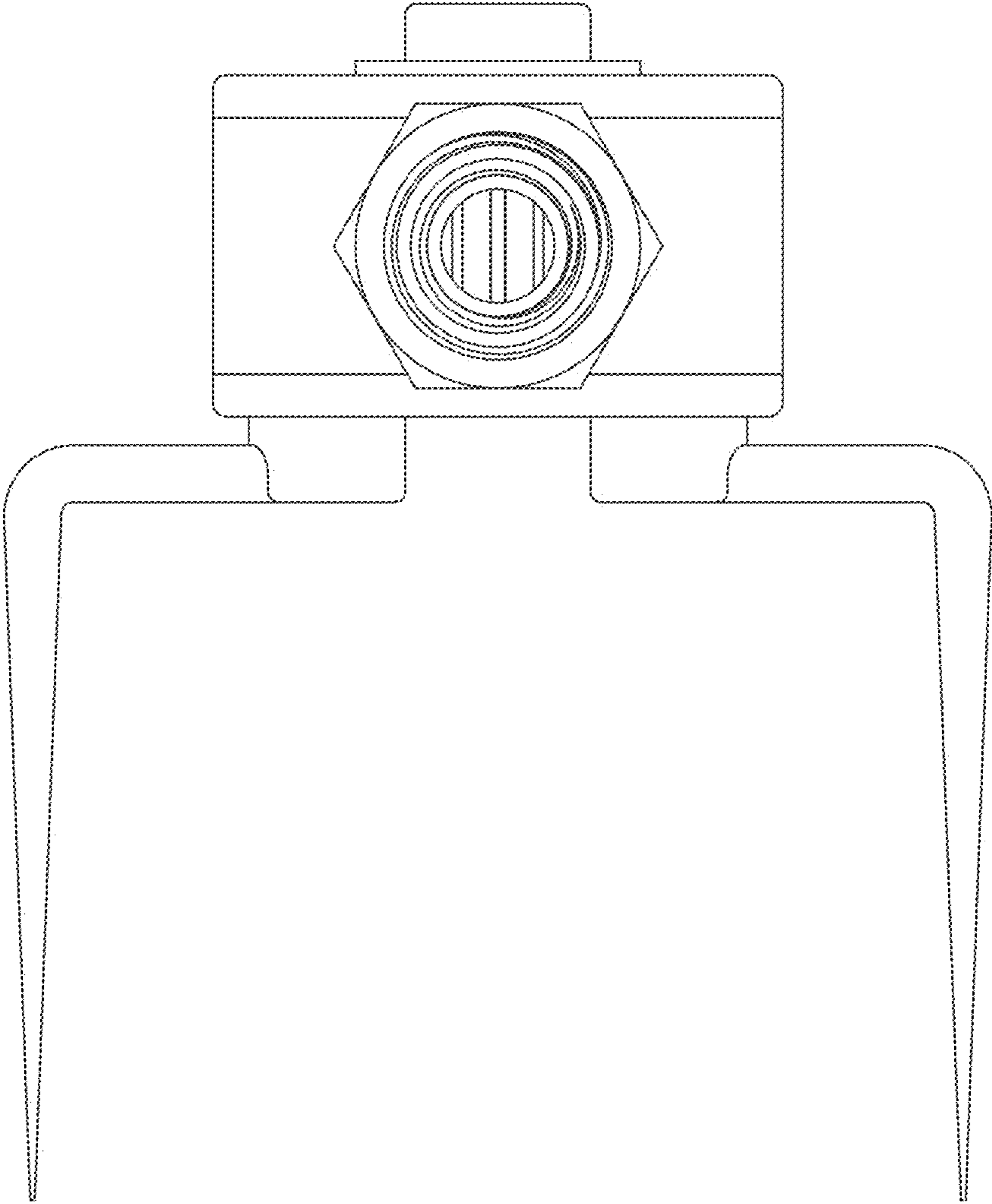


FIG. 3

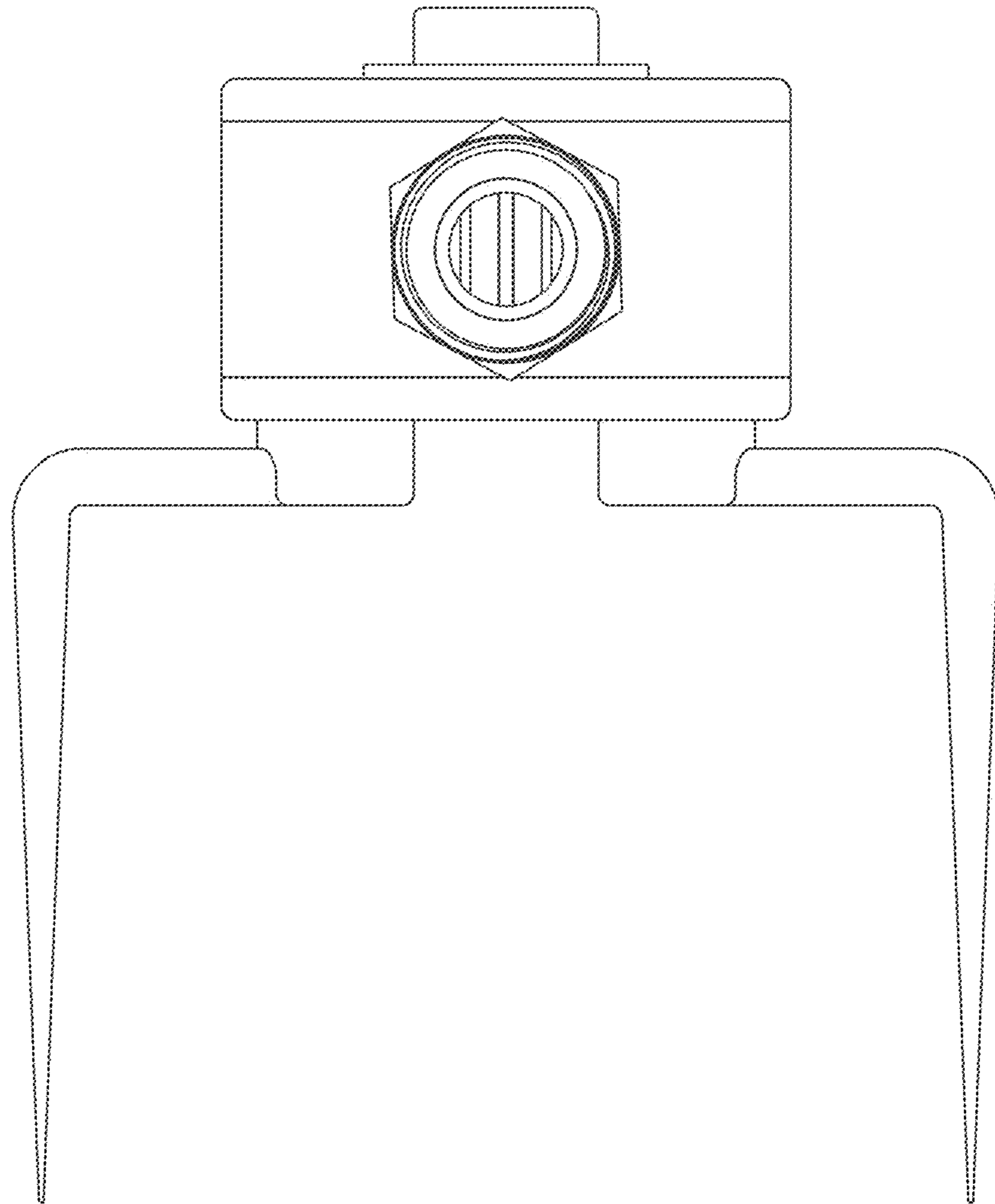


FIG. 4

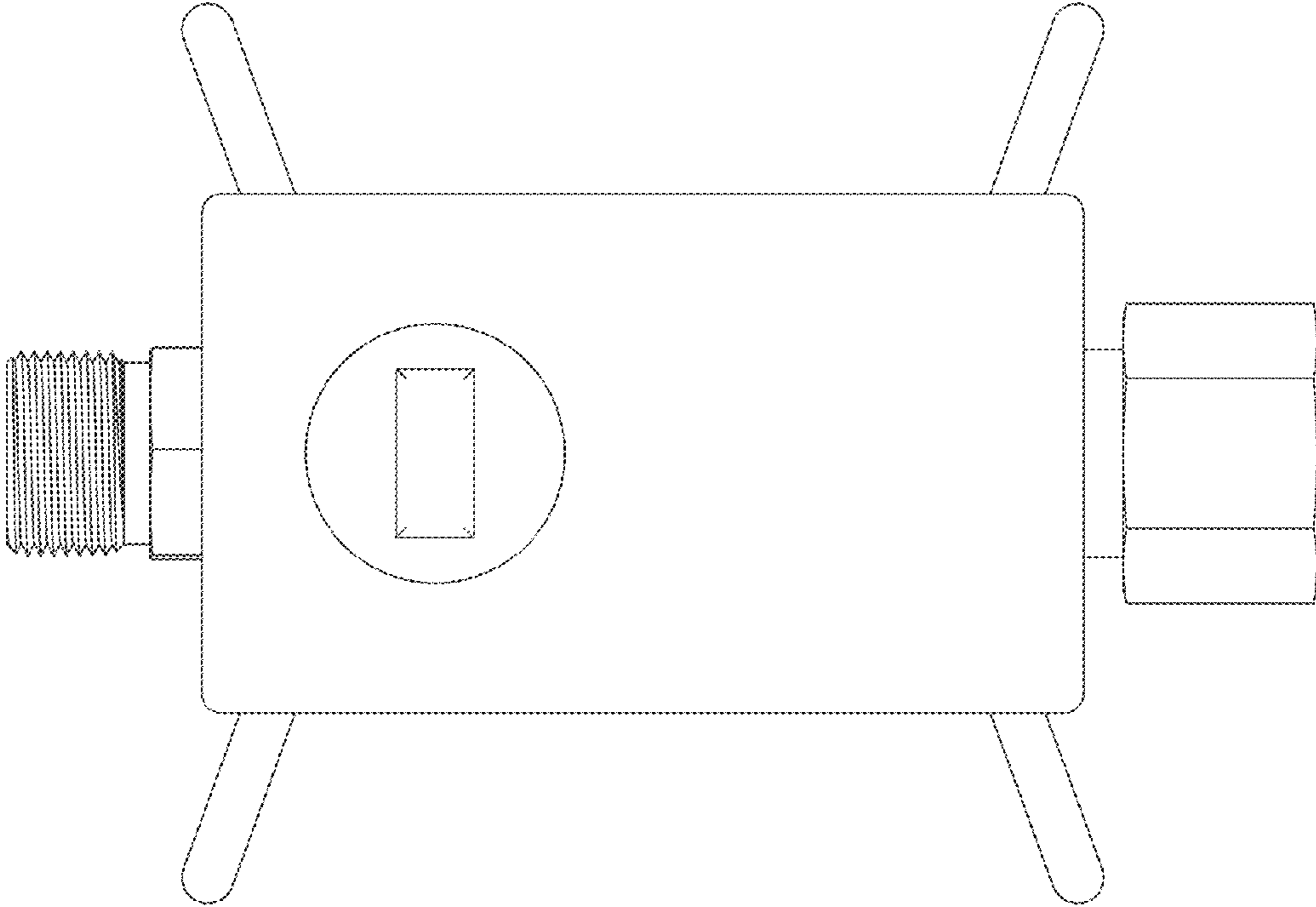


FIG. 5

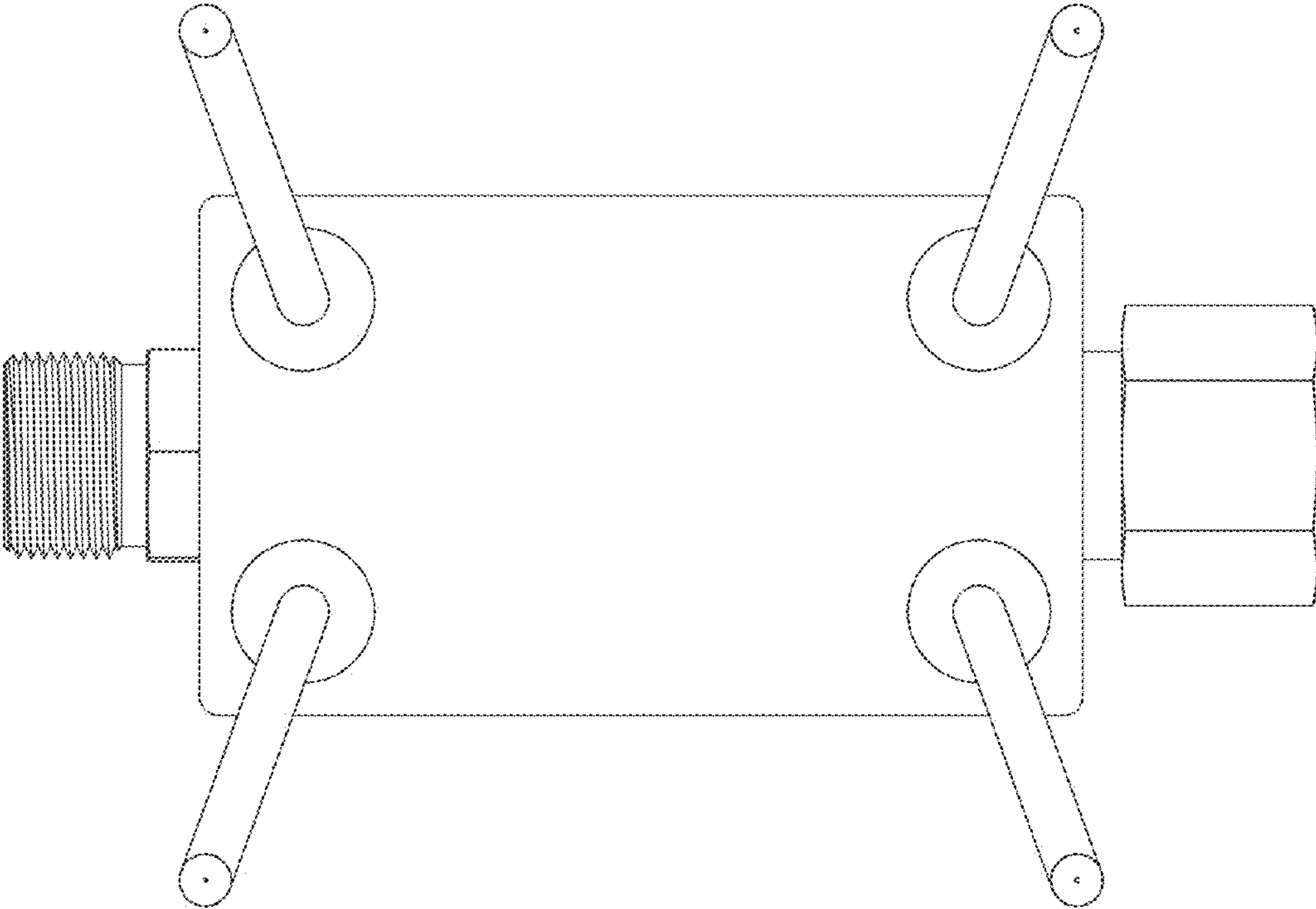


FIG. 6

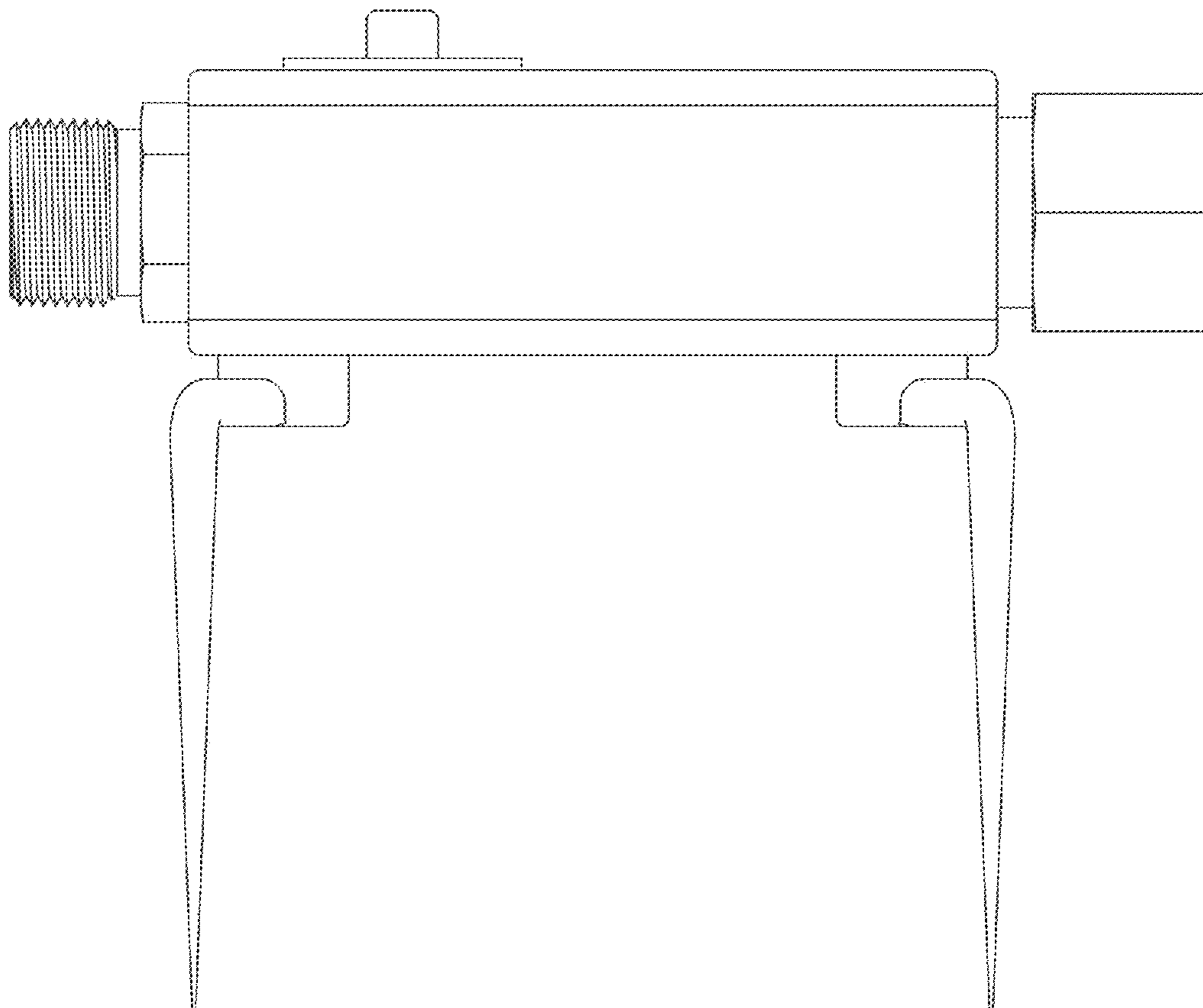


FIG. 7