



US00D751667S

(12) **United States Design Patent**  
**Bahler**

(10) **Patent No.:** **US D751,667 S**  
(45) **Date of Patent:** **\*\* Mar. 15, 2016**

(54) **SHOWERHEAD**

(71) Applicant: **Delta Faucet Company**, Indianapolis, IN (US)

(72) Inventor: **Jordan Renee Bahler**, Frankfort, IN (US)

(73) Assignee: **DELTA FAUCET COMPANY**, Indianapolis, IN (US)

(\*\*) Term: **14 Years**

(21) Appl. No.: **29/514,123**

(22) Filed: **Jan. 8, 2015**

(51) **LOC (10) Cl.** ..... **23-01**

(52) **U.S. Cl.**  
USPC ..... **D23/213**

(58) **Field of Classification Search**  
USPC ..... D23/213, 229, 230, 201; 239/282, 283, 239/211, 587.1-587.5, 566; 4/615  
CPC ..... B05B 1/18; B05B 1/00; B05B 15/08; B05B 3/00

See application file for complete search history.

(56) **References Cited**

U.S. PATENT DOCUMENTS

D259,054 S *	4/1981	Petersons .....	D23/230
5,230,472 A *	7/1993	McCabe .....	B05B 1/18 239/443
D347,262 S *	5/1994	Black .....	D23/230
D398,370 S *	9/1998	Purdy .....	D23/213
D450,370 S *	11/2001	Wales .....	D23/213
D468,394 S *	1/2003	Cummings .....	D23/213

\* cited by examiner

*Primary Examiner* — Robin V Webster

(74) *Attorney, Agent, or Firm* — Edgar A. Zarins; Nirav D. Parikh

(57) **CLAIM**

The ornamental design for a showerhead, as shown and described.

**DESCRIPTION**

FIG. 1 is a perspective view of a showerhead showing my new design;

FIG. 2 is a top view thereof;

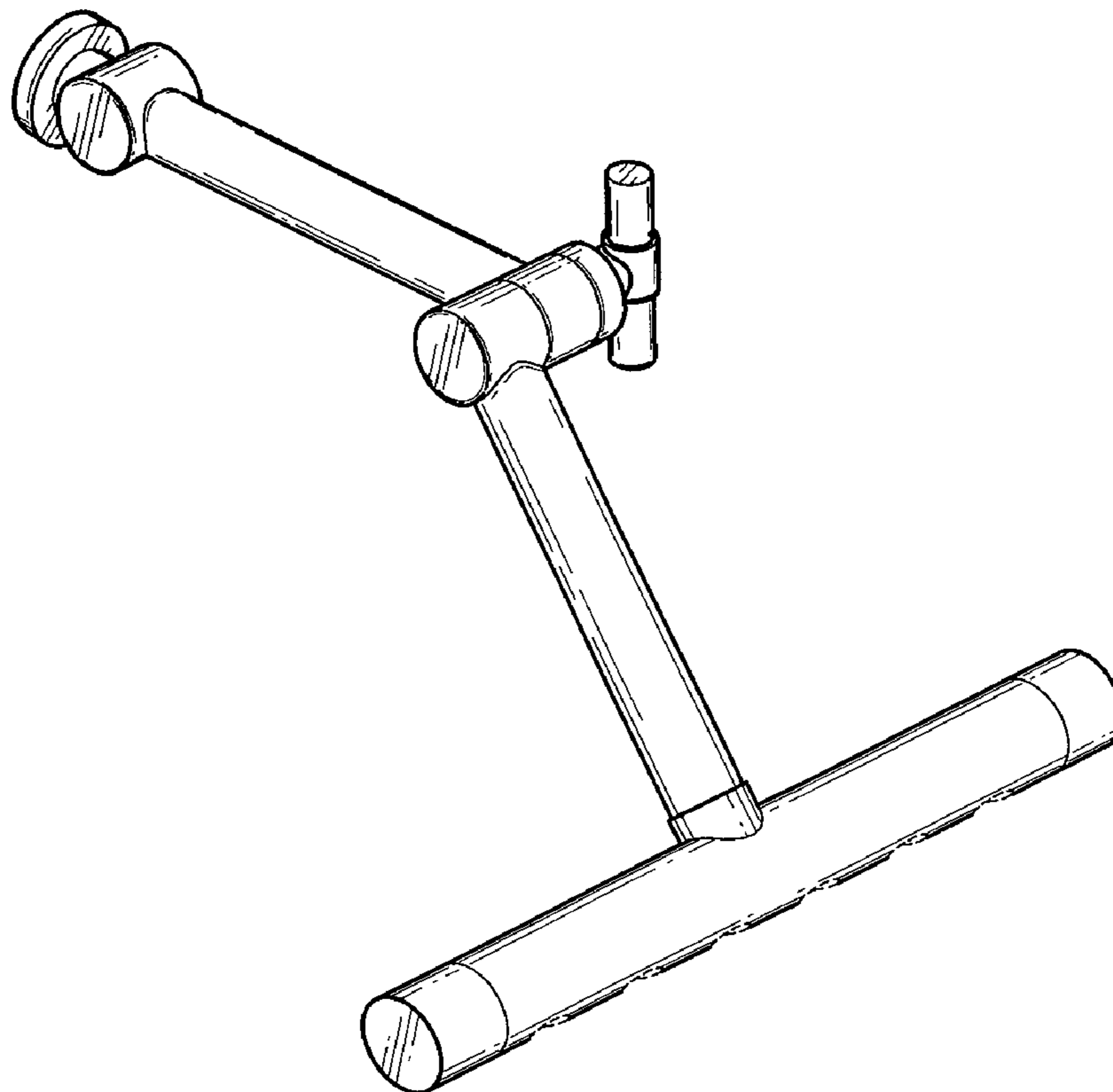
FIG. 3 is a bottom view thereof;

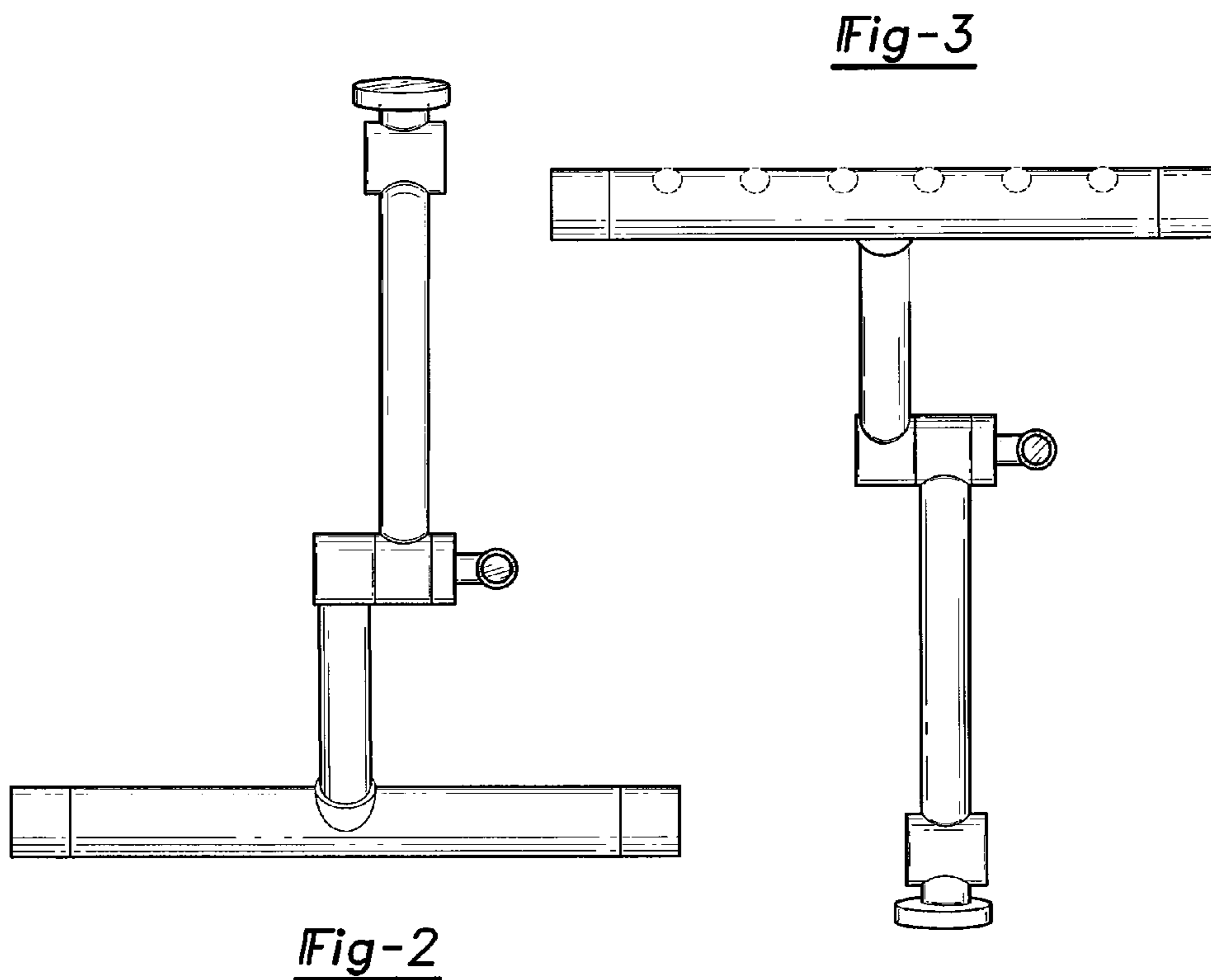
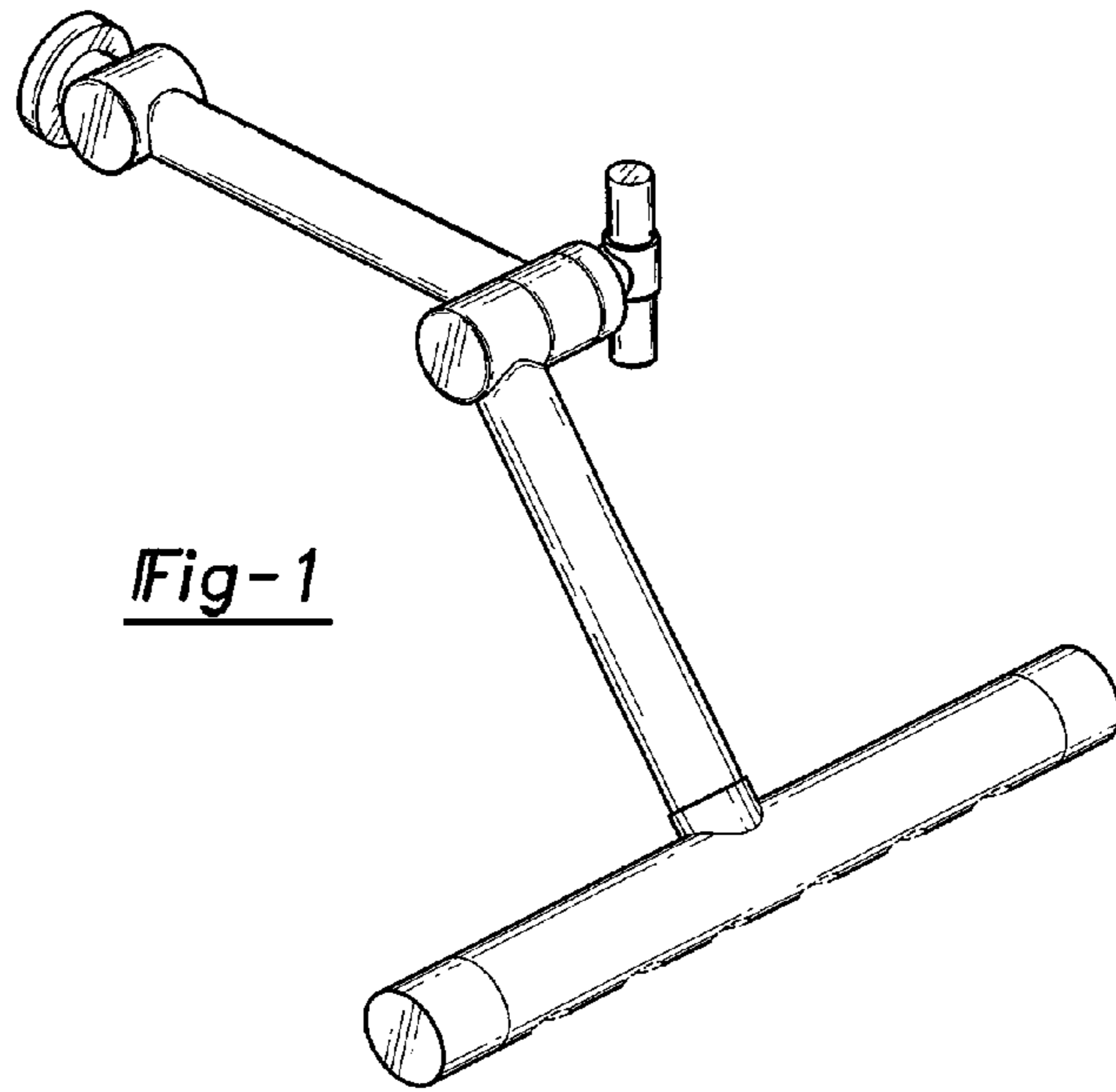
FIG. 4 is a left side view thereof; and,

FIG. 5 is a right side view thereof.

The broken line showing of the water spray openings in FIGS. 1 and 3, is included for the purpose of illustrating and forms no part of the claimed design.

**1 Claim, 2 Drawing Sheets**





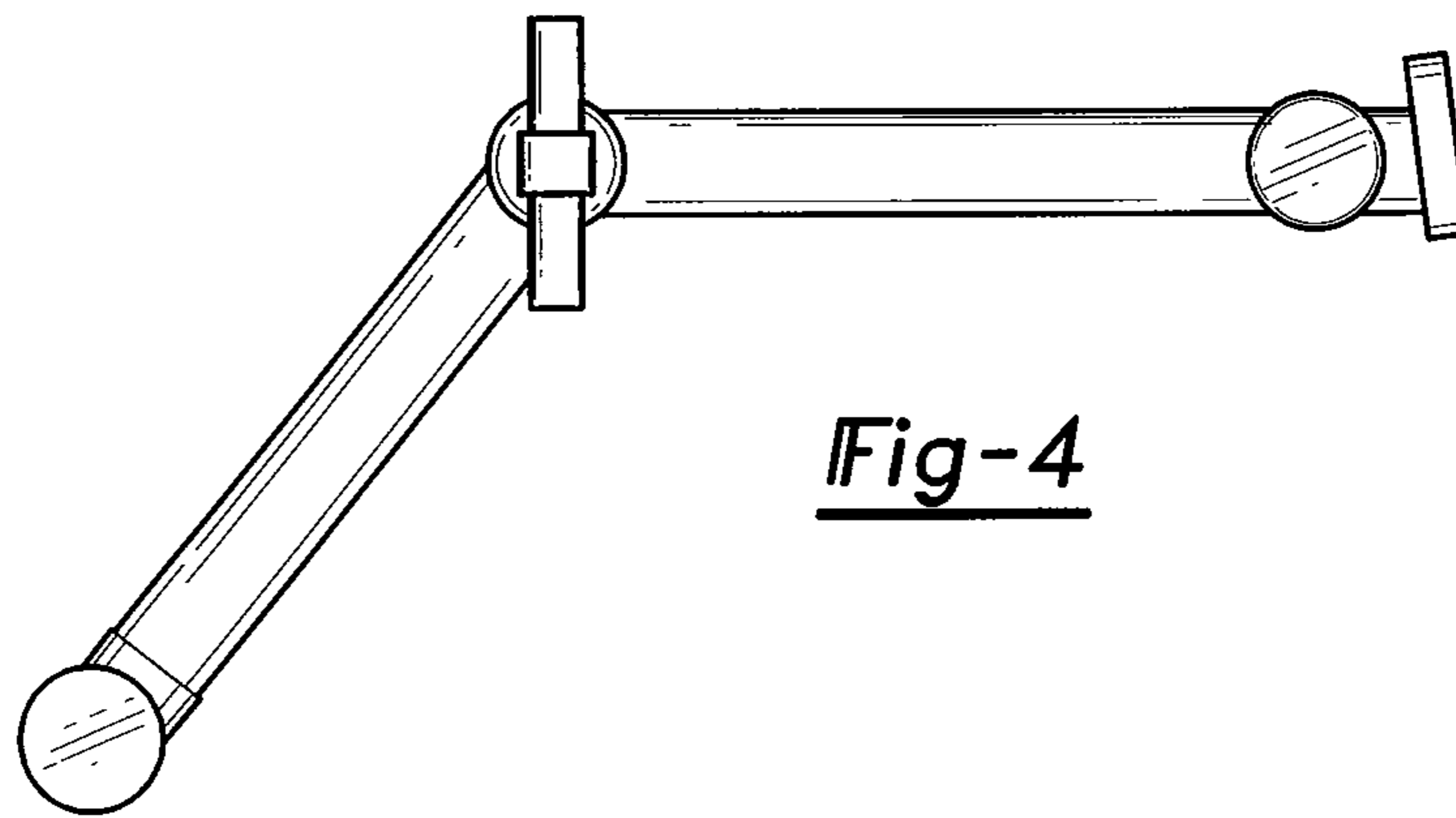


Fig-4

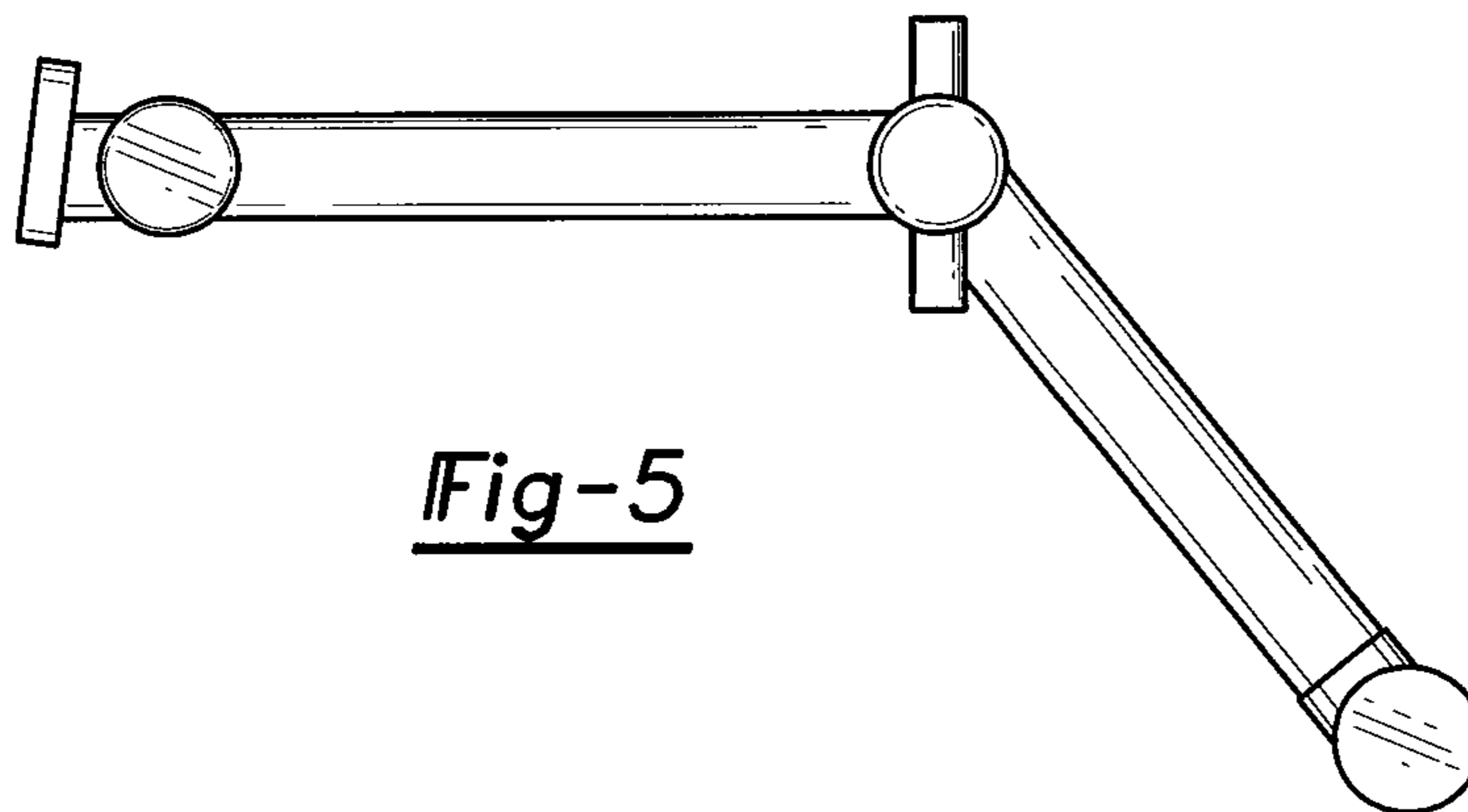


Fig-5