



US00D751663S

(12) **United States Design Patent**  
**Ding et al.**

(10) **Patent No.:** **US D751,663 S**  
(45) **Date of Patent:** **\*\* Mar. 15, 2016**

(54) **HAND GUARD WITH IMPROVED HEAT DISSIPATION**

(71) Applicant: **Leapers, Inc.**, Livonia, MI (US)

(72) Inventors: **Tai-Lai Ding**, Northville, MI (US);  
**Yuedong Yan**, Novi, MI (US)

(73) Assignee: **Leapers, Inc.**, Livonia, MI (US)

(\*\*) Term: **14 Years**

(21) Appl. No.: **29/507,778**

(22) Filed: **Oct. 30, 2014**

(51) **LOC (10) Cl.** ..... **22-01**

(52) **U.S. Cl.**  
USPC ..... **D22/108**

(58) **Field of Classification Search**  
USPC ..... D22/108; D8/68  
CPC ..... F41C 23/10; F41C 23/14; F41C 23/16;  
F41C 23/18

See application file for complete search history.

(56) **References Cited**

U.S. PATENT DOCUMENTS

D477,855 S \* 7/2003 Selvaggio ..... D22/108  
D613,811 S \* 4/2010 Swan ..... D22/108  
D720,421 S \* 12/2014 Chen ..... D22/108  
8,904,691 B1 \* 12/2014 Kinzel ..... F41C 23/16  
42/71.01

D721,407 S \* 1/2015 Chu ..... D21/574  
D736,886 S \* 8/2015 Cheng ..... D22/108  
2007/0006509 A1 \* 1/2007 DeSomma ..... F41G 11/003  
42/72  
2007/0017139 A1 \* 1/2007 Larue ..... F41C 23/16  
42/75.1  
2014/0130390 A1 \* 5/2014 Geissele ..... F41C 23/16  
42/71.01

\* cited by examiner

*Primary Examiner* — Michael A Pratt

(74) *Attorney, Agent, or Firm* — Honigman Miller Schwartz and Cohn LLP

(57) **CLAIM**

The ornamental design for a hand guard with improved heat dissipation, as shown and described.

**DESCRIPTION**

FIG. 1 is a front/right side elevational view of the hand guard of the present invention;

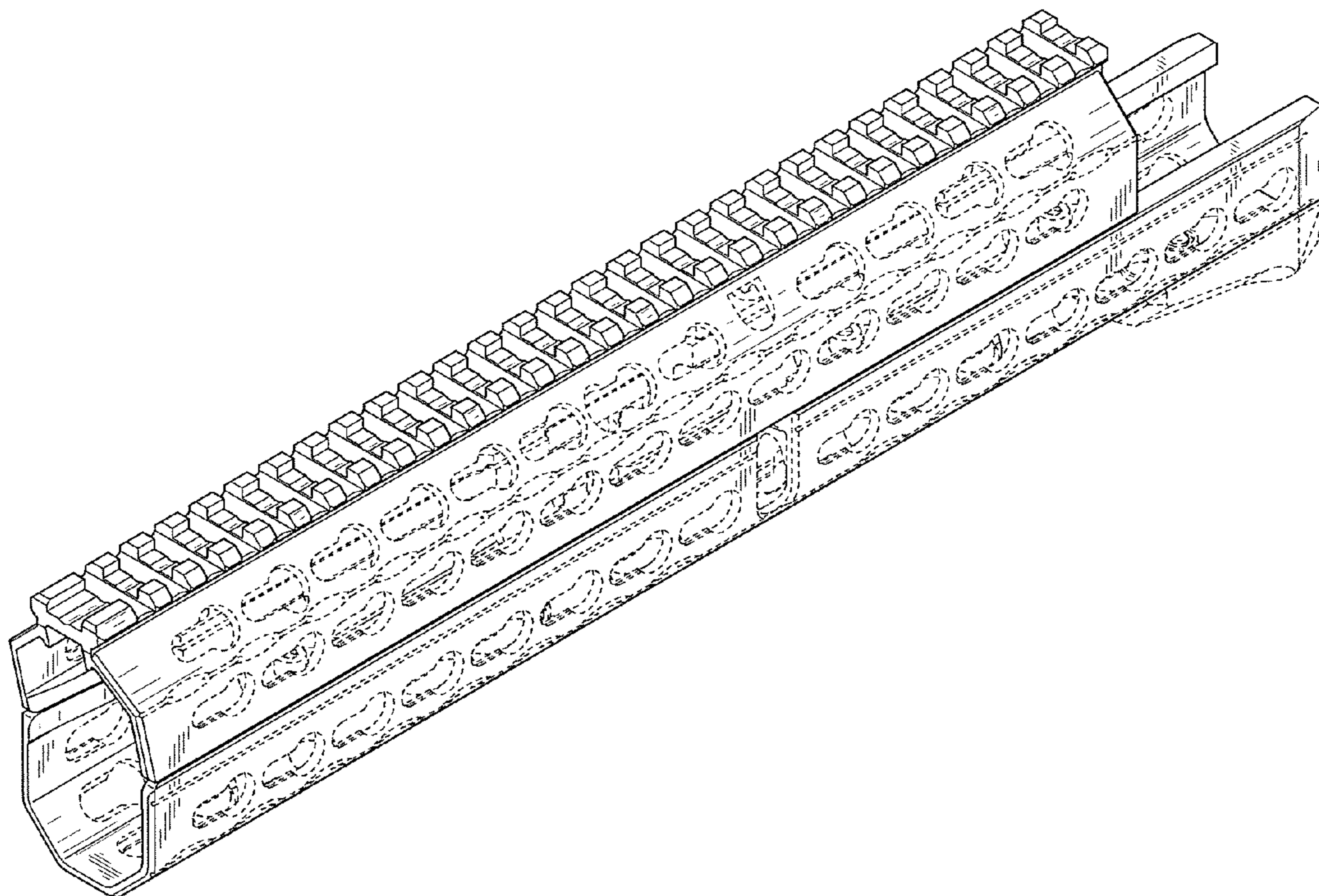
FIG. 2 is a rear/left side elevational view of the hand guard of FIG. 1;

FIG. 3 is a front elevational view of the hand guard of FIG. 1; FIG. 4 is a rear elevational view of the hand guard of FIG. 1; FIG. 5 is a right side elevational view of the hand guard of FIG. 4;

FIG. 6 is a left side elevational view of the hand guard of FIG. 4;

FIG. 7 is a top view of the hand guard of FIG. 1; and, FIG. 8 is a bottom view of the hand guard of FIG. 1.

**1 Claim, 5 Drawing Sheets**



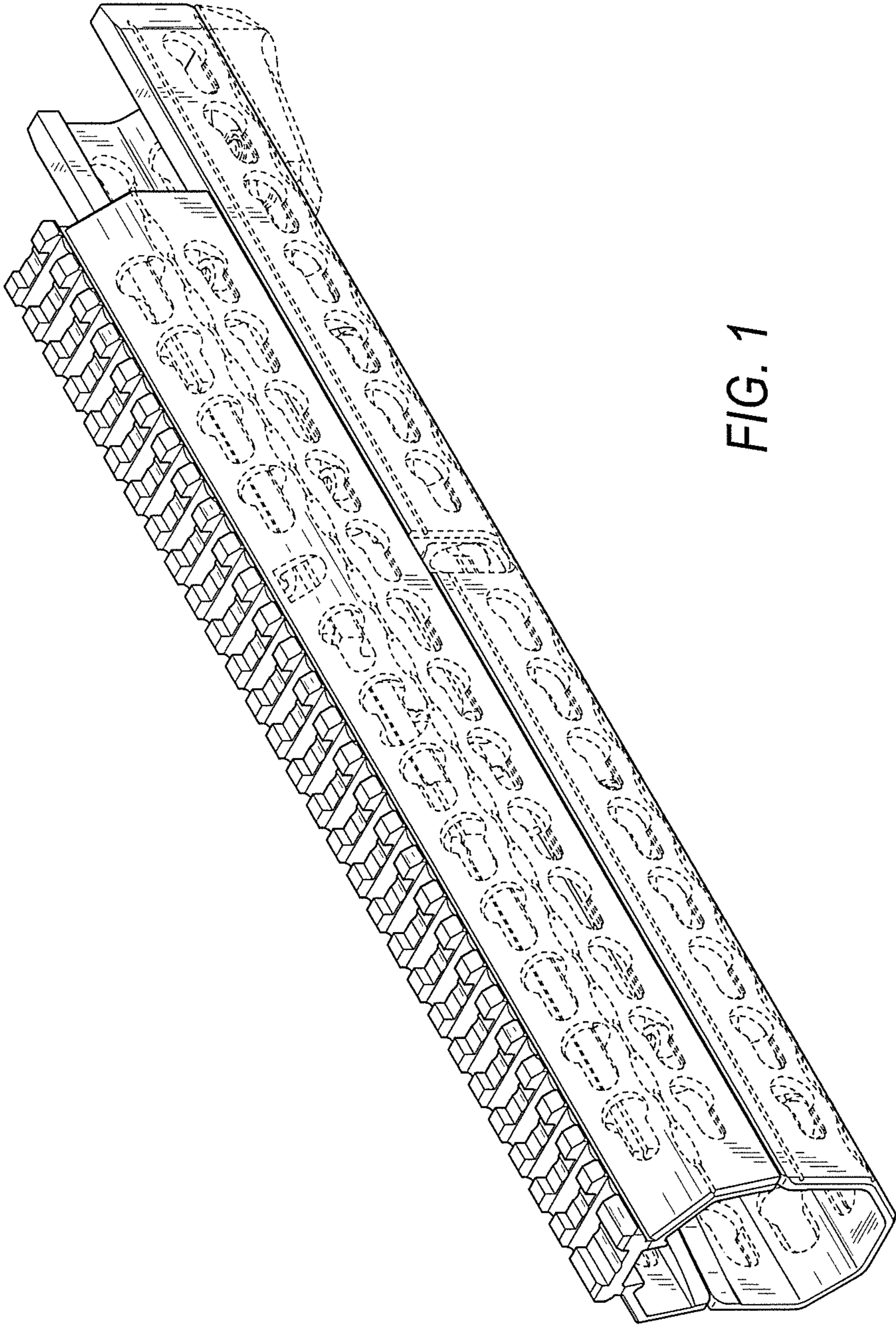


FIG. 1

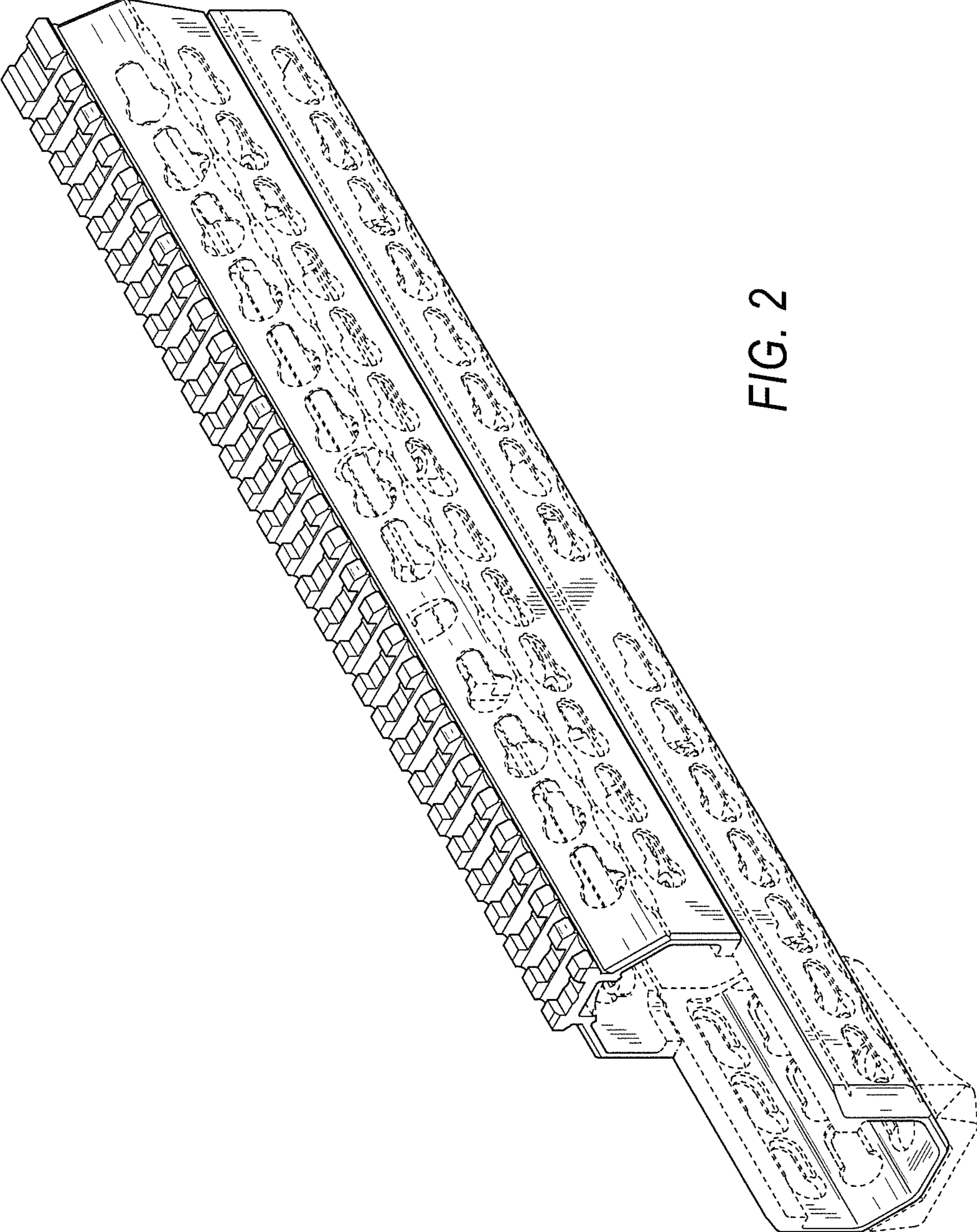


FIG. 2

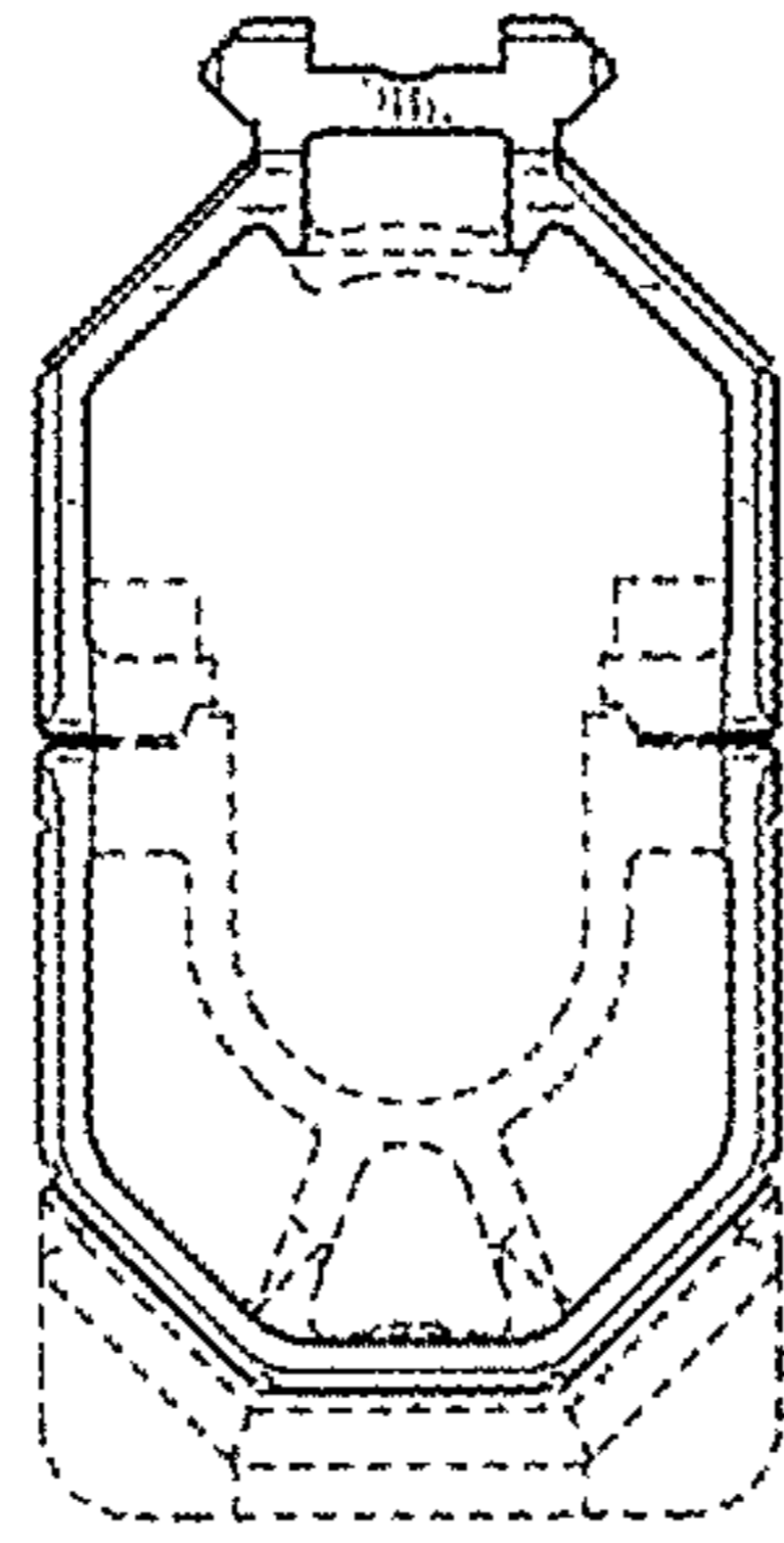


FIG. 3

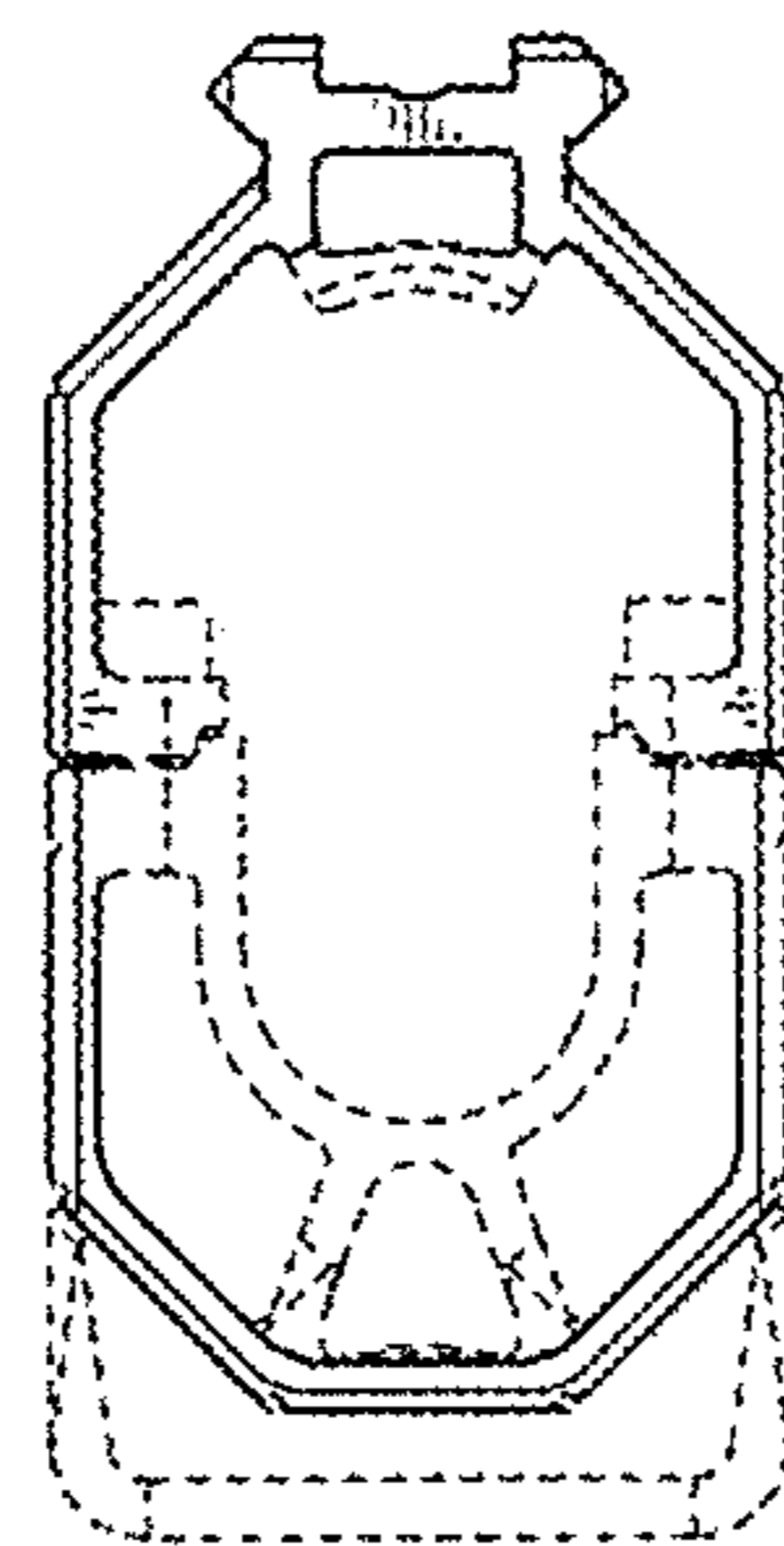


FIG. 4

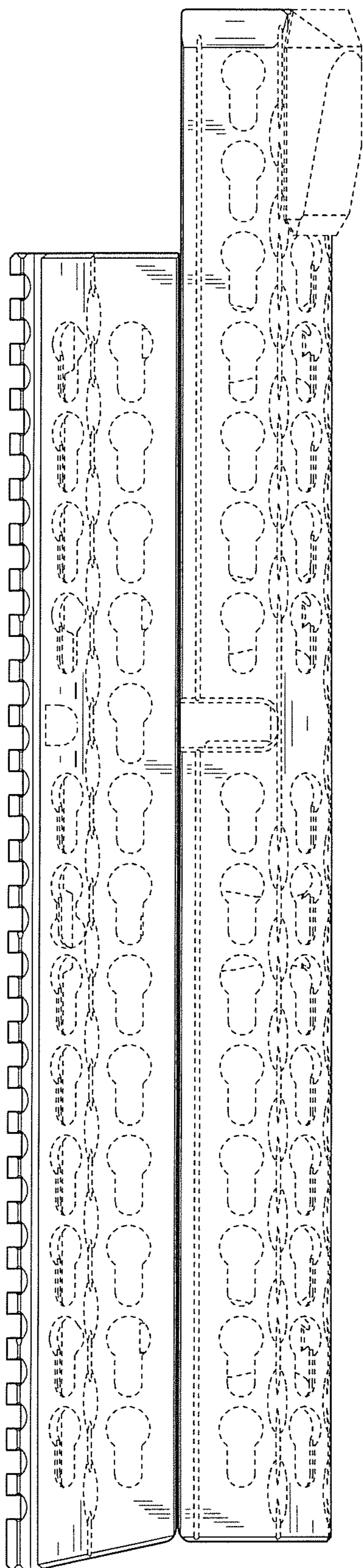


FIG. 5

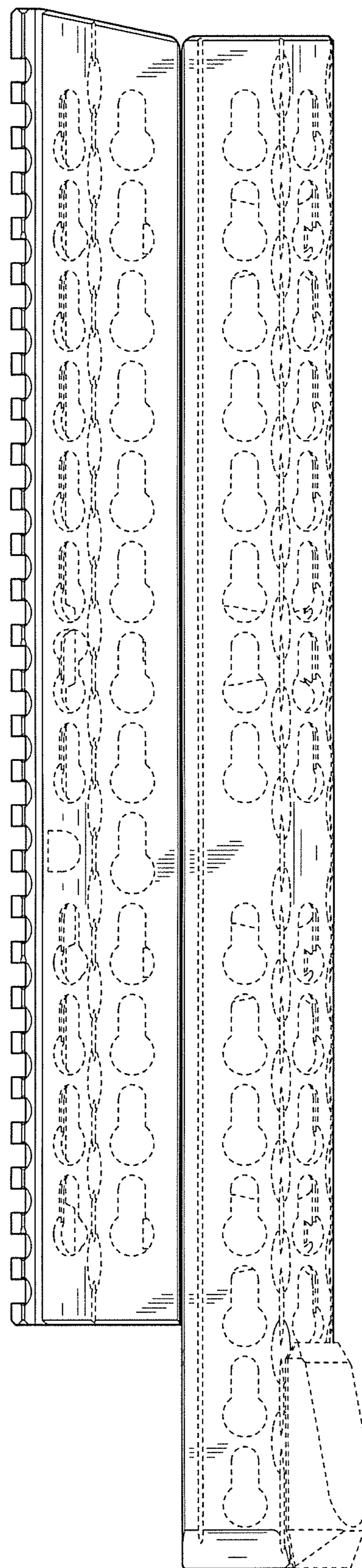


FIG. 6

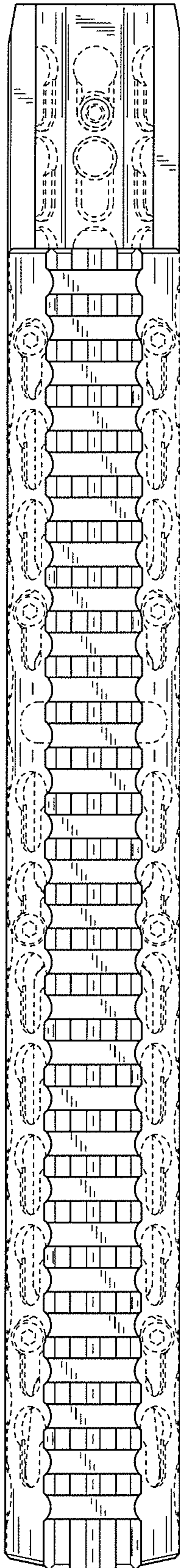


FIG. 7

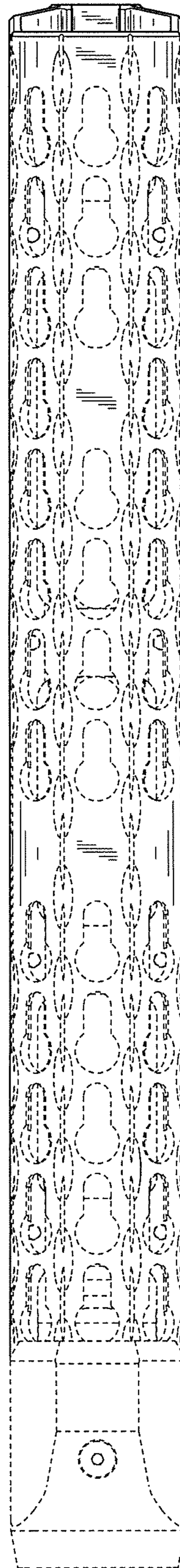


FIG. 8