



US00D751661S

(12) **United States Design Patent**
Gibbens et al.

(10) **Patent No.:** **US D751,661 S**

(45) **Date of Patent:** **** *Mar. 15, 2016**

(54) **WEAPON HANDGUARD**

(71) Applicants: **Kevin W. Gibbens**, Mesa, AZ (US);
David W. Gibbens, Mesa, AZ (US)

(72) Inventors: **Kevin W. Gibbens**, Mesa, AZ (US);
David W. Gibbens, Mesa, AZ (US)

(*) Notice: This patent is subject to a terminal disclaimer.

(**) Term: **14 Years**

(21) Appl. No.: **29/444,153**

(22) Filed: **Jan. 26, 2013**

(51) **LOC (10) Cl.** **22-01**

(52) **U.S. Cl.**
USPC **D22/108**

(58) **Field of Classification Search**
USPC D22/108-109; 42/11, 113, 116, 119,
42/124, 125, 127, 90, 145, 128, 72, 106,
42/114, 85, 75.02, 71.01; 248/205.1, 201;
362/109-114; D8/397-399
CPC F41G 11/003; F41C 23/10; F41C 23/14;
F41C 23/16; F41C 23/18; Y10T 29/53991;
Y10T 409/308736; Y10T 409/309912; B23Q
2703/02

See application file for complete search history.

(56) **References Cited**

U.S. PATENT DOCUMENTS

D223,532 S * 5/1972 Katsumi D8/397
5,199,836 A * 4/1993 Gogarty F16B 37/045
411/104
5,375,361 A * 12/1994 Rustick 42/125
D502,244 S * 2/2005 Oz D22/109
D512,302 S 12/2005 Velten
D577,094 S * 9/2008 Wallace D22/109
D604,793 S * 11/2009 Fitzpatrick et al. D22/108
8,296,991 B1 * 10/2012 Chung 42/111
D683,417 S * 5/2013 Daniel et al. D22/108
D698,235 S * 1/2014 Oetlinger D8/397

D701,934 S * 4/2014 Castaneda D22/108
D708,693 S * 7/2014 Faxon D22/108
D712,000 S * 8/2014 Behling D22/108
8,839,776 B2 * 9/2014 Kingsbury et al. 124/89
D717,907 S * 11/2014 Montes D22/108
8,925,236 B1 * 1/2015 Mayberry et al. 42/124
D723,130 S * 2/2015 Barrett D22/108
D724,171 S * 3/2015 Trusty D22/108
9,010,009 B2 * 4/2015 Buxton 42/90
D728,723 S * 5/2015 Peterson et al. D22/108
D734,828 S * 7/2015 Geissele D22/108
2010/0037505 A1 * 2/2010 Romer 42/124

* cited by examiner

Primary Examiner — Michael A Pratt

(74) Attorney, Agent, or Firm — Schmeiser, Olsen & Watts
LLP

(57) **CLAIM**

The ornamental design for the weapon handguard, as shown.

DESCRIPTION

FIG. 1 is a front perspective view of the weapon handguard showing an accessory rail mounted to the handguard body of the weapon handguard;

FIG. 2 is an exploded perspective view of the weapon handguard showing an accessory rail and quick-turn fastener of the weapon handguard;

FIG. 3 is a top perspective view of the accessory rail and quick-turn fastener of the weapon handguard;

FIG. 4 is a bottom perspective view of the accessory rail and quick-turn fastener of the weapon handguard;

FIG. 5 is a perspective view of a quick-turn fastener of the weapon handguard;

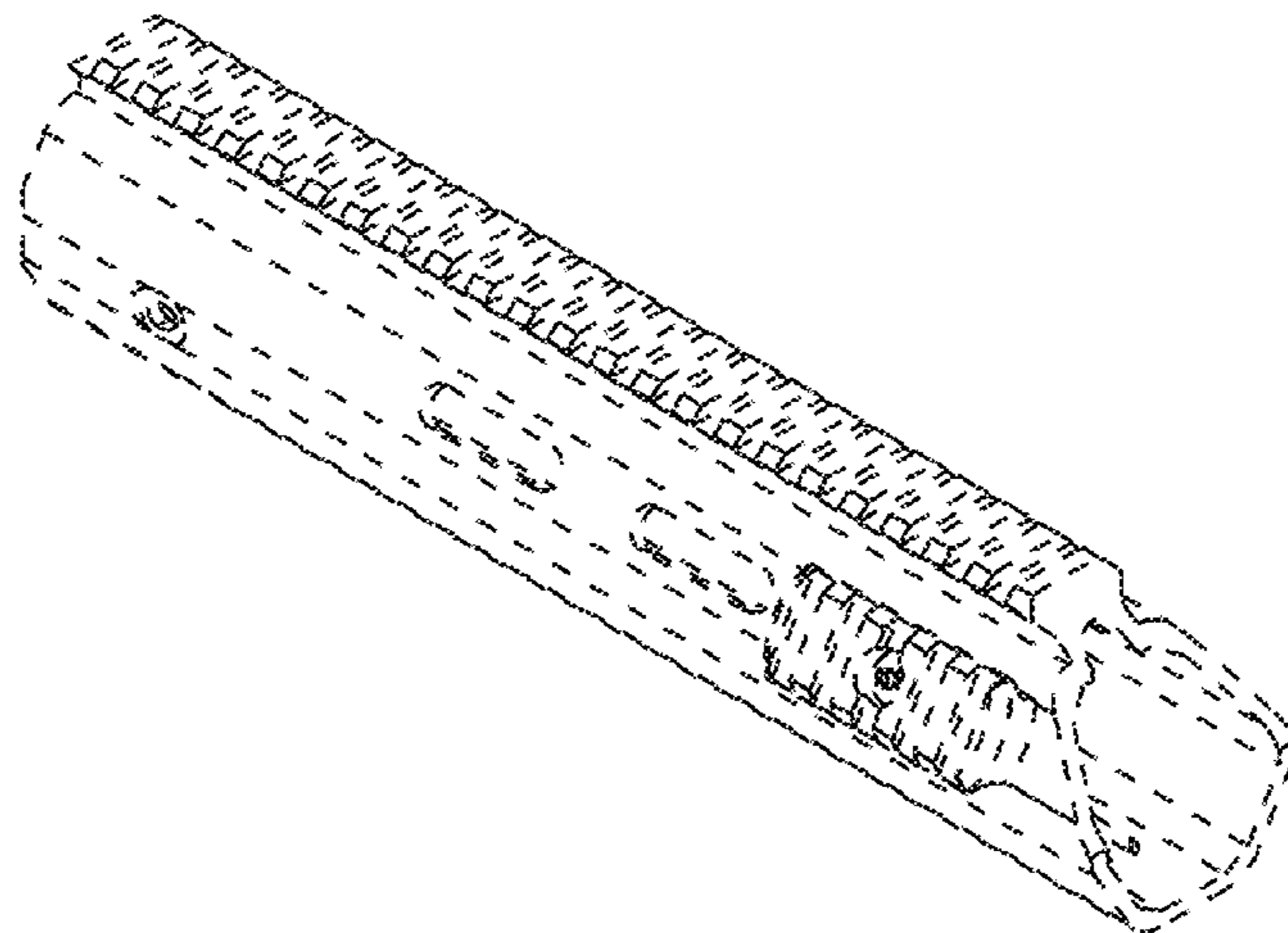
FIG. 6 is a top view of a quick-turn fastener of the weapon handguard;

FIG. 7 is an end view of a quick-turn fastener of the weapon handguard; and,

FIG. 8 is a section view of a quick-turn fastener of the weapon handguard taken along line 8-8 of FIG. 7.

The weapon is shown in broken lines for illustrative purposes only and forms no part of the claimed design.

1 Claim, 2 Drawing Sheets



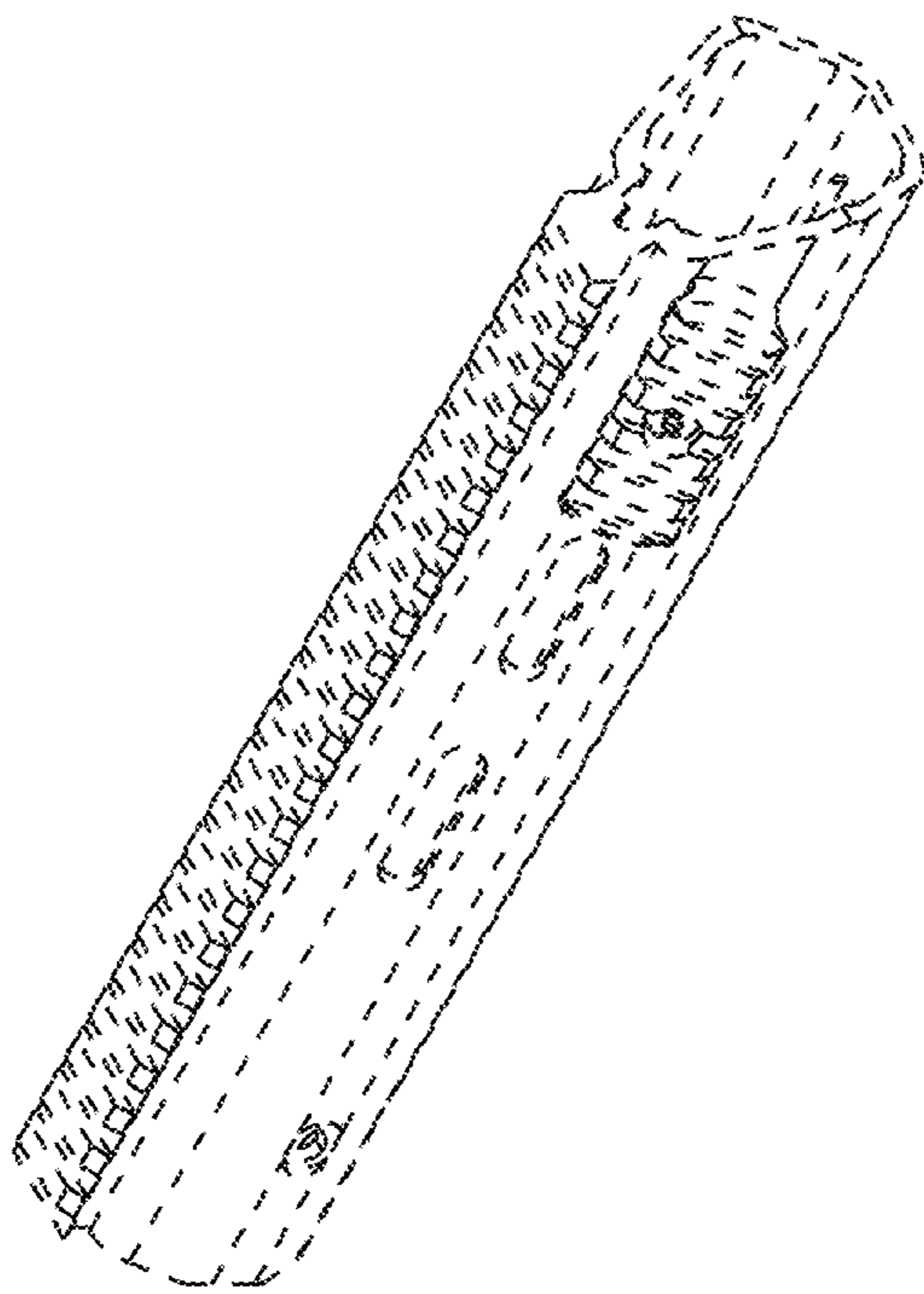


FIG. 1

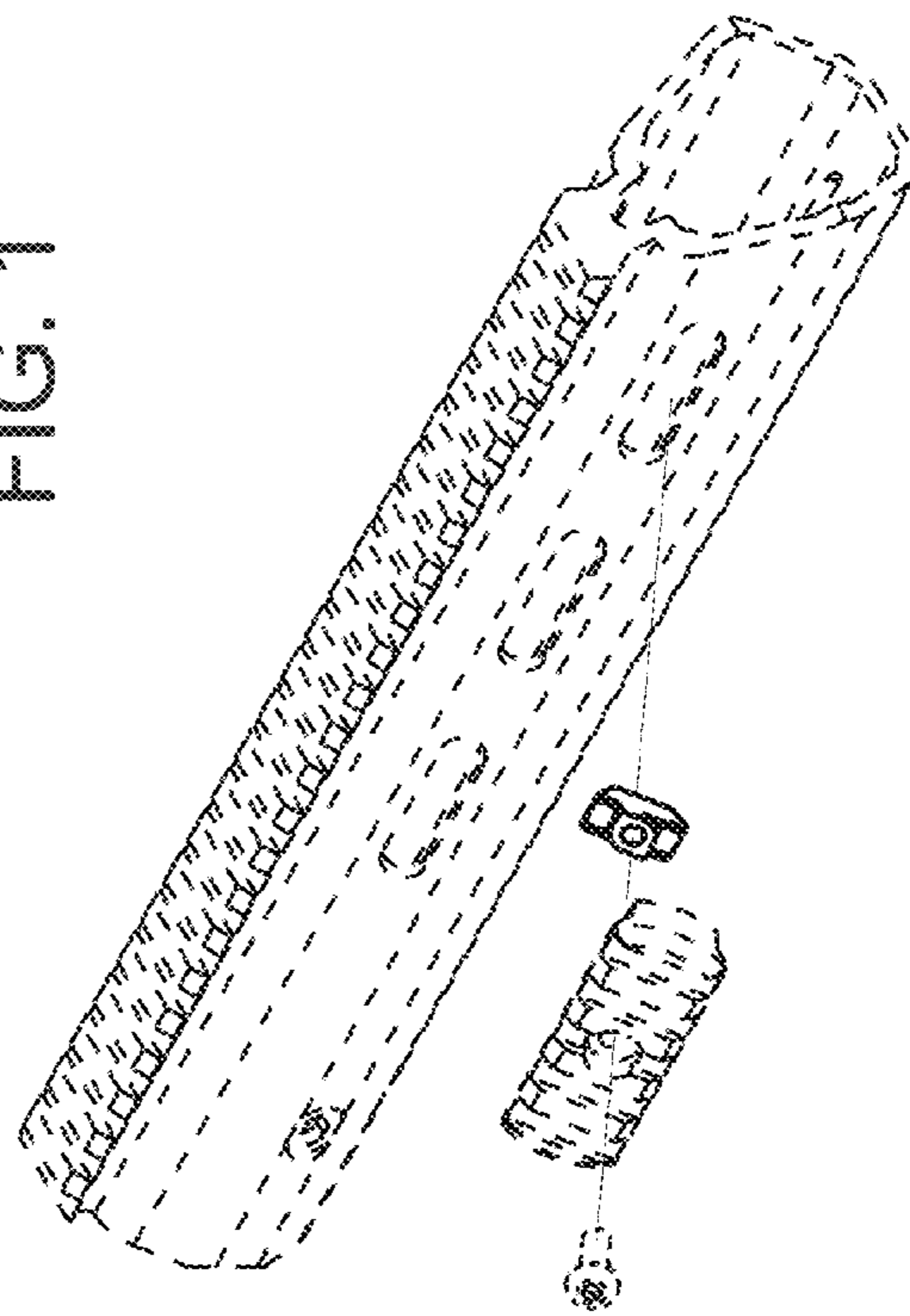


FIG. 2

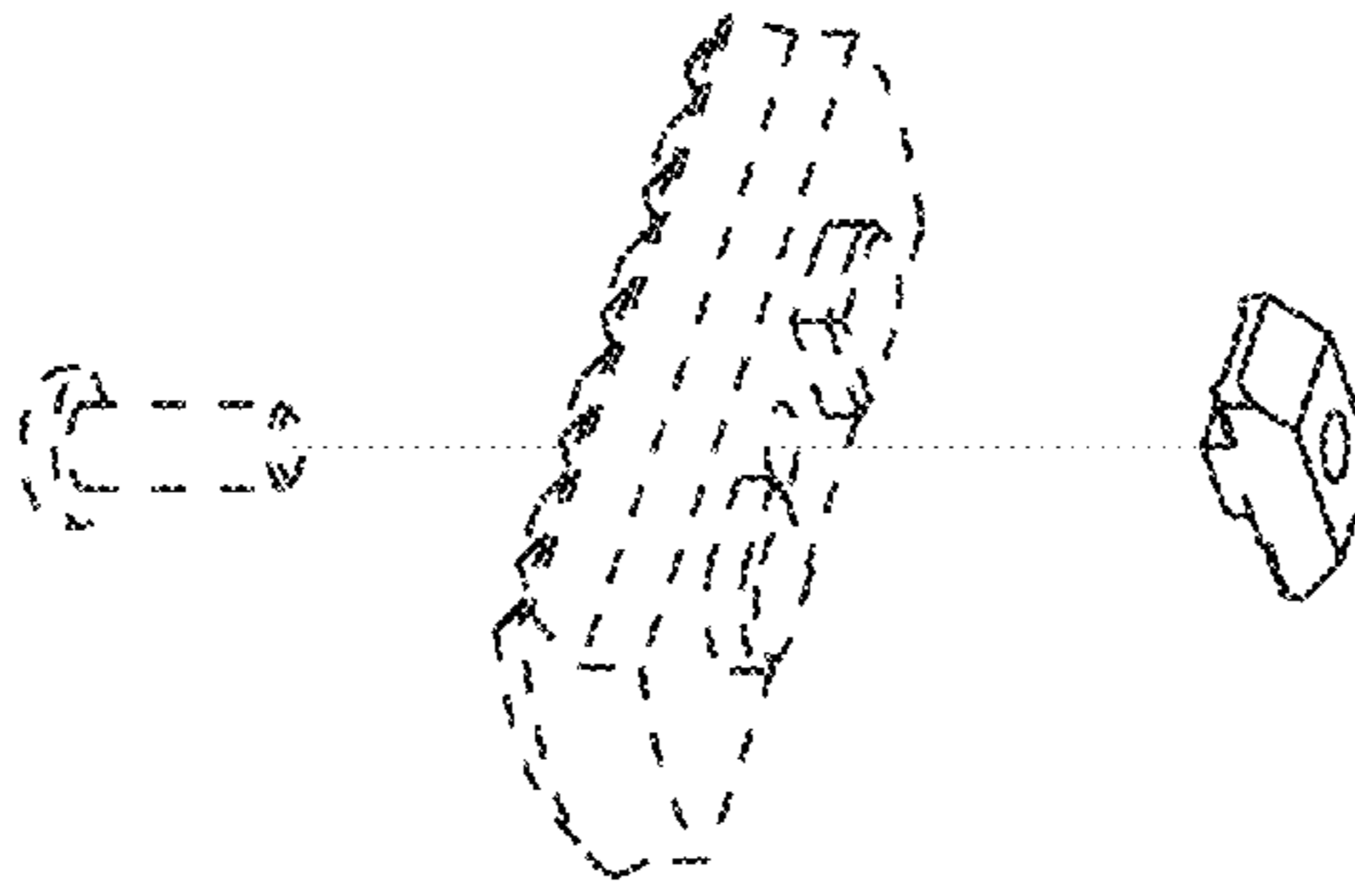


FIG. 3

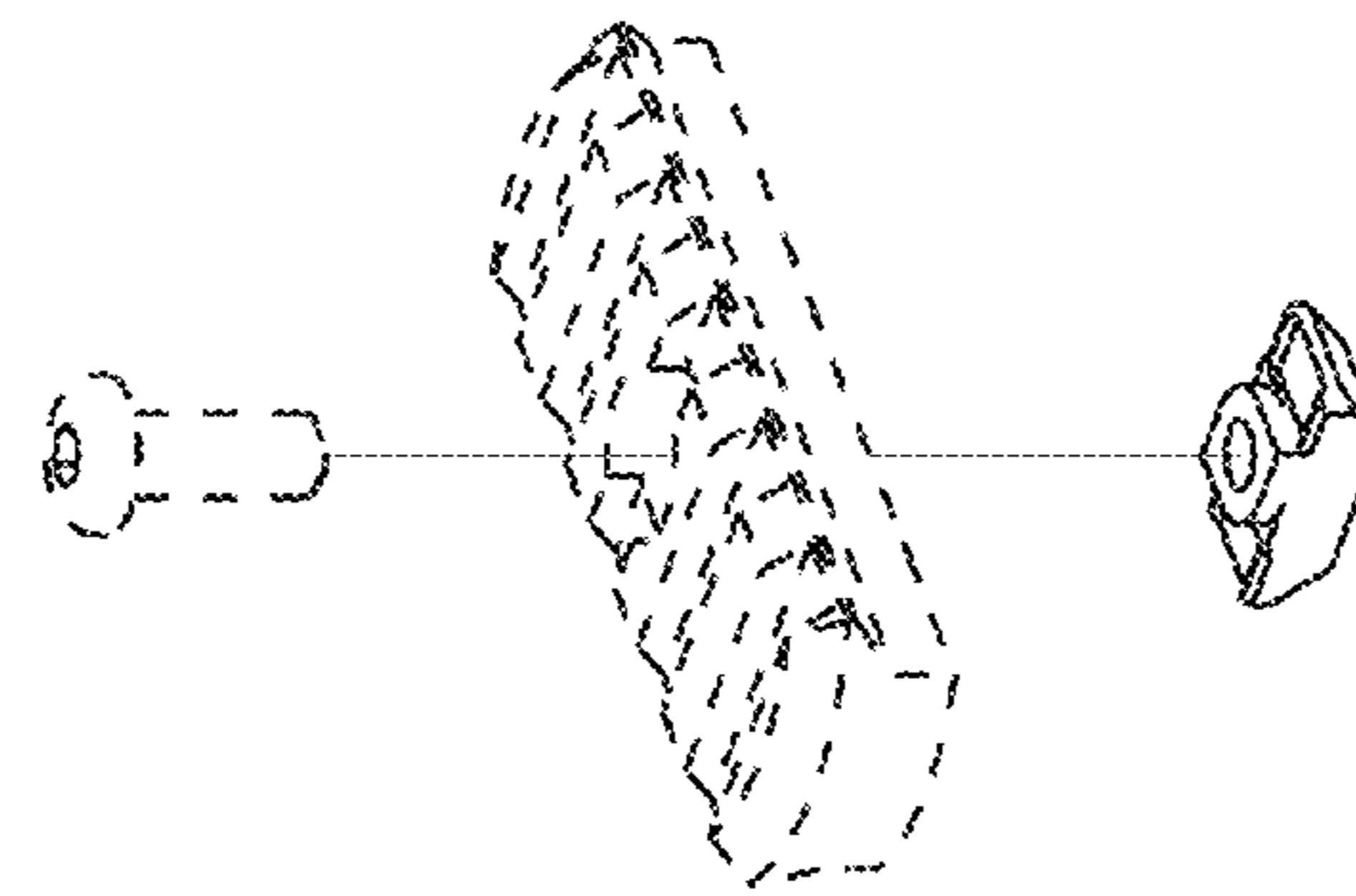


FIG. 4

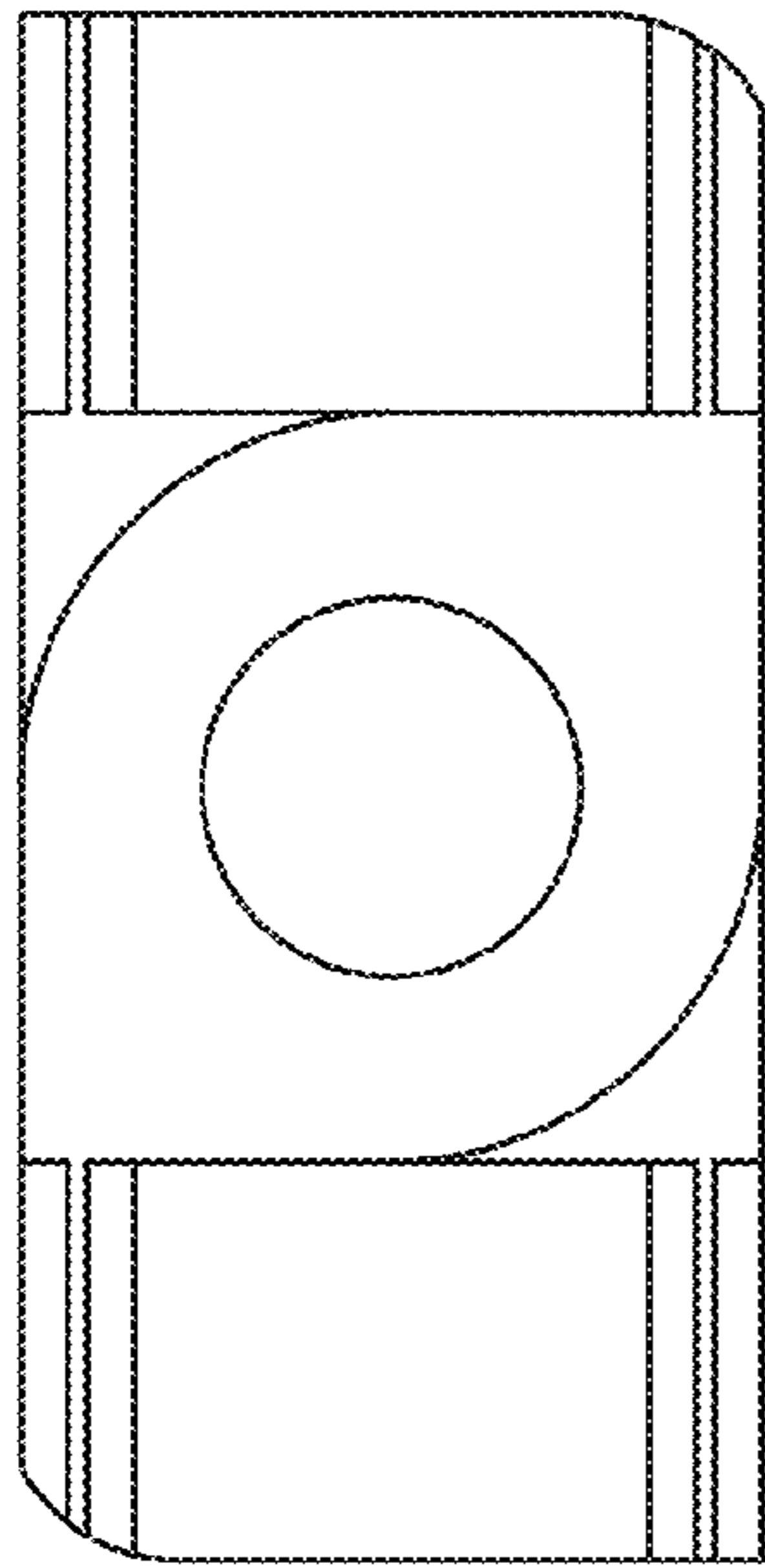


FIG. 6

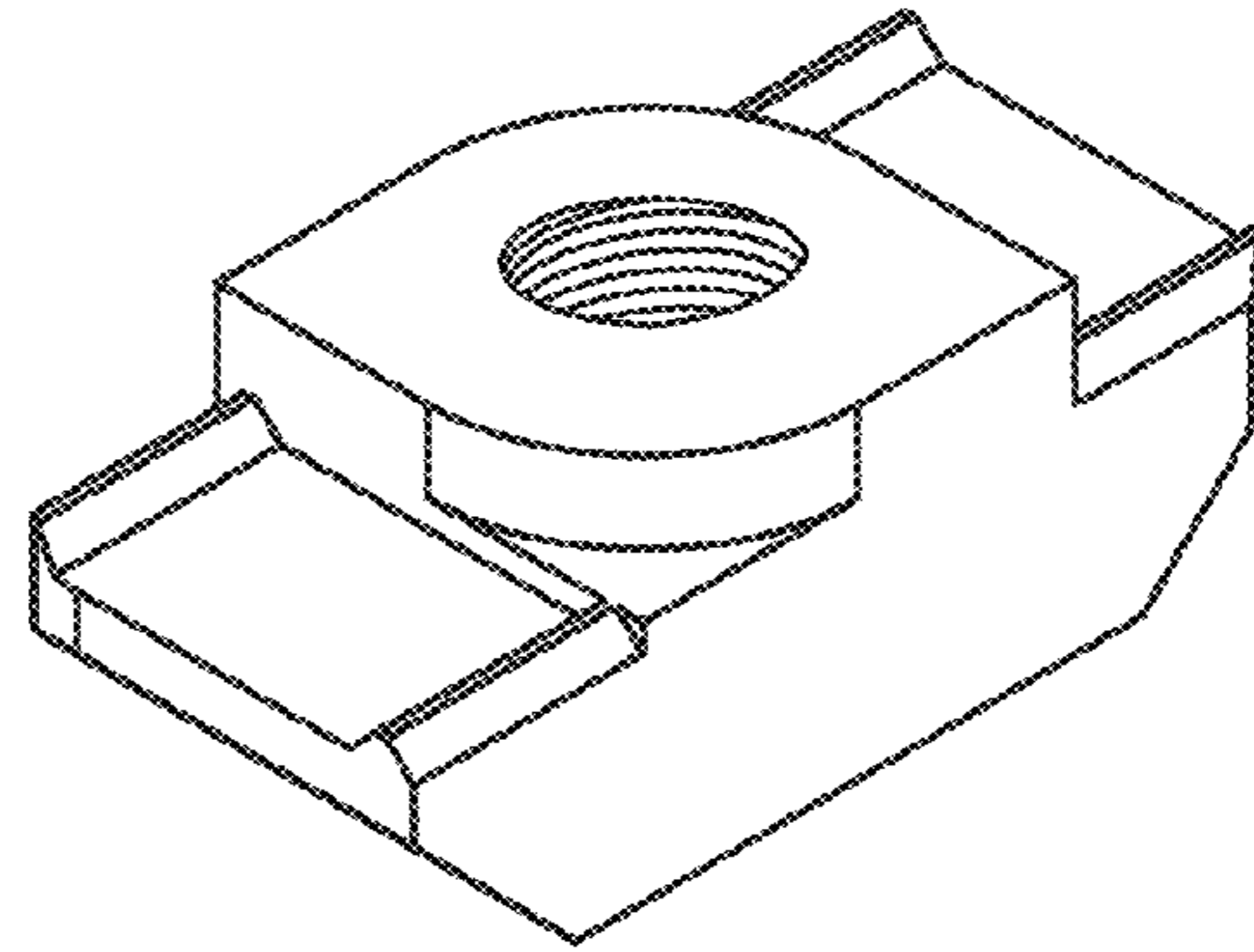


FIG. 5

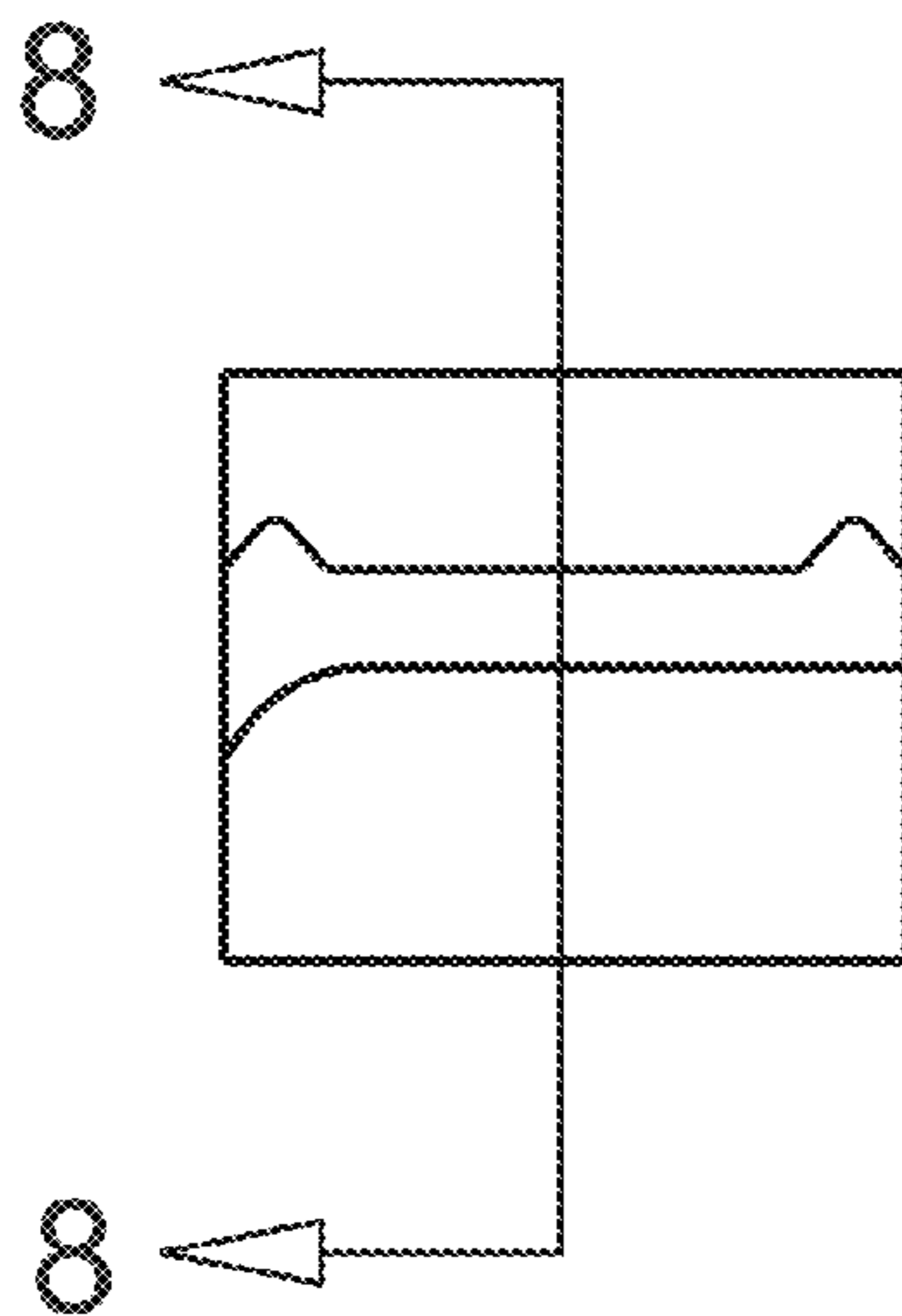


FIG. 7

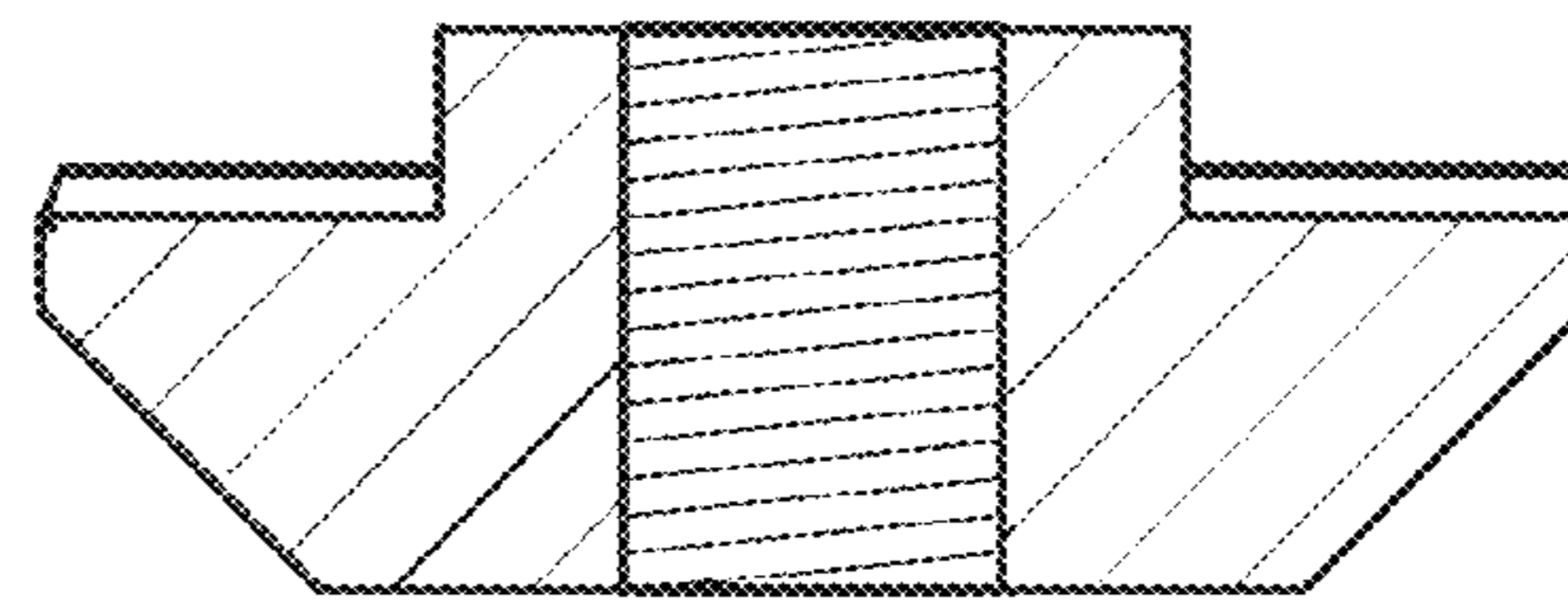


FIG. 8