



US00D751660S

(12) **United States Design Patent**
Greenlaw et al.

(10) **Patent No.:** **US D751,660 S**
(45) **Date of Patent:** **** Mar. 15, 2016**

- (54) **GOLF CLUB HEAD**
- (71) Applicants: **Jordon Greenlaw**, Carlsbad, CA (US);
Scott R. Manwaring, Carlsbad, CA
(US); **Matthew Myers**, Carlsbad, CA
(US)
- (72) Inventors: **Jordon Greenlaw**, Carlsbad, CA (US);
Scott R. Manwaring, Carlsbad, CA
(US); **Matthew Myers**, Carlsbad, CA
(US)
- (73) Assignee: **Callaway Golf Company**, Carlsbad, CA
(US)

(**) Term: **14 Years**

(21) Appl. No.: **29/514,940**

(22) Filed: **Jan. 19, 2015**

(51) **LOC (10) Cl.** **21-02**

(52) **U.S. Cl.**
USPC **D21/759**

(58) **Field of Classification Search**
USPC D2/747-751, 759
CPC A63B 53/00; A63B 53/04; A63B 53/047;
A63B 53/0475; A63B 53/065
See application file for complete search history.

(56) **References Cited**

U.S. PATENT DOCUMENTS

4,754,977	A *	7/1988	Sahm	A63B 53/04 473/337
D421,080	S *	2/2000	Chen	D21/747
D426,276	S *	6/2000	Besnard	D21/747
6,348,014	B1 *	2/2002	Chiu	A63B 53/065 473/337
D512,116	S *	11/2005	Miraflor	D21/759

D534,595	S *	1/2007	Hasebe	D21/747
D543,601	S *	5/2007	Kawami	D21/759
D555,219	S *	11/2007	Lin	D21/759
D600,763	S *	9/2009	Cameron	D21/759
D661,753	S *	6/2012	Cameron	D21/759
D722,350	S *	2/2015	Schweigert	D21/735
D722,351	S *	2/2015	Parsons	D21/736
D722,352	S *	2/2015	Nicolette	D21/747
D723,120	S *	2/2015	Nicolette	D21/747
D725,208	S *	3/2015	Schweigert	D21/743
D726,265	S *	4/2015	Nicolette	D21/747
D726,846	S *	4/2015	Schweigert	D21/743
D738,449	S *	9/2015	Schweigert	D21/759
D739,487	S *	9/2015	Schweigert	D21/759
D741,426	S *	10/2015	Schweigert	D21/736

* cited by examiner

Primary Examiner — Mitchell Siegel

(74) *Attorney, Agent, or Firm* — Michael Catania; Rebecca Hanovice; Sonia Lari

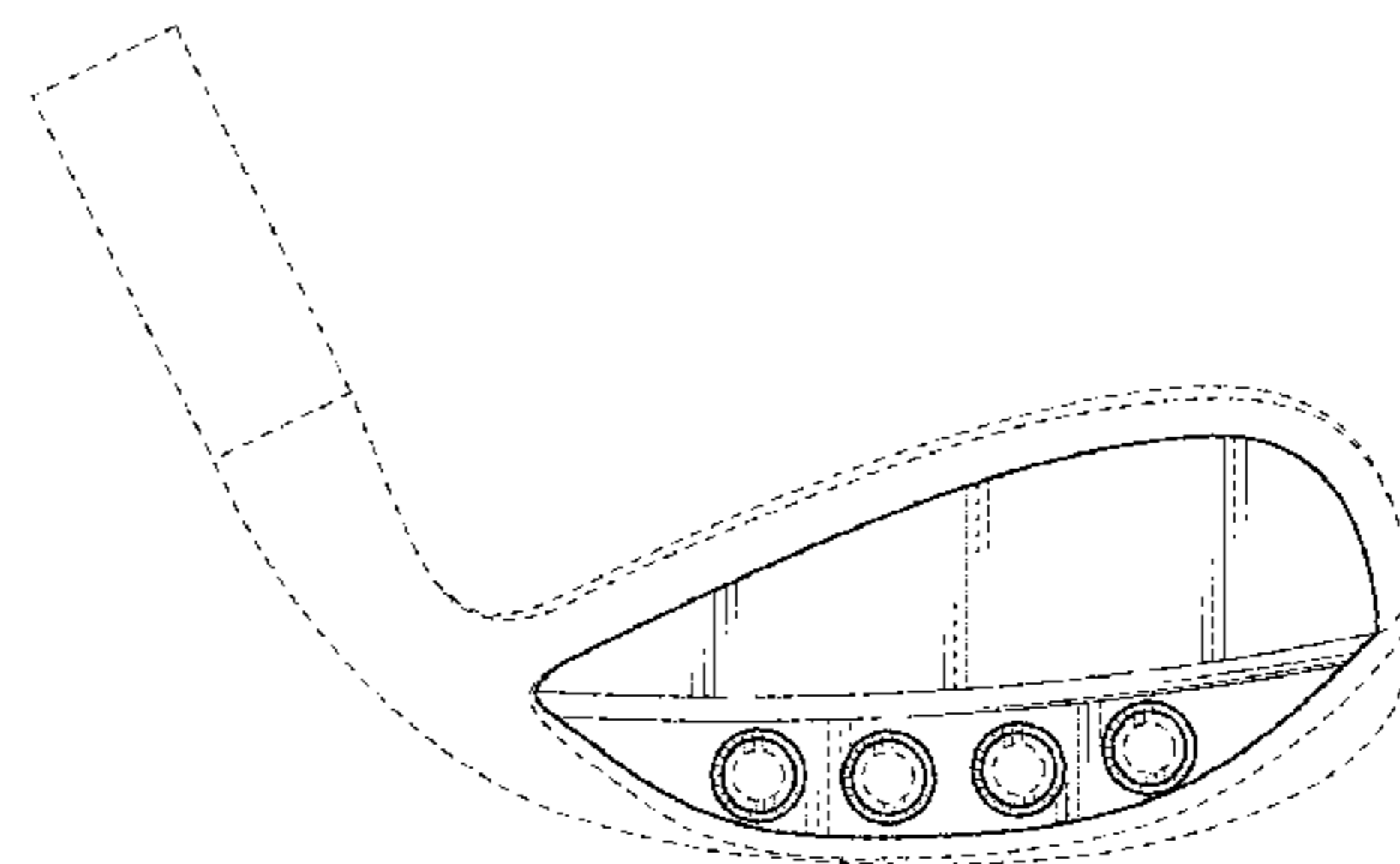
(57) **CLAIM**

The ornamental design for a golf club head, as shown and described.

DESCRIPTION

FIG. 1 is a top perspective view of a golf club head;
 FIG. 2 is a rear elevation view of the golf club head of FIG. 1;
 FIG. 3 is a front elevation view of a golf club head of FIG. 1;
 FIG. 4 is a heel-side elevation view of a golf club head of FIG. 1;
 FIG. 5 is a toe-side elevation view of a golf club head of FIG. 1;
 FIG. 6 is a top plan view of the golf club head of FIG. 1; and,
 FIG. 7 is a bottom plan view of the golf club head of FIG. 1.
 The broken lines in the drawings illustrate unclaimed features of the golf club head.

1 Claim, 3 Drawing Sheets



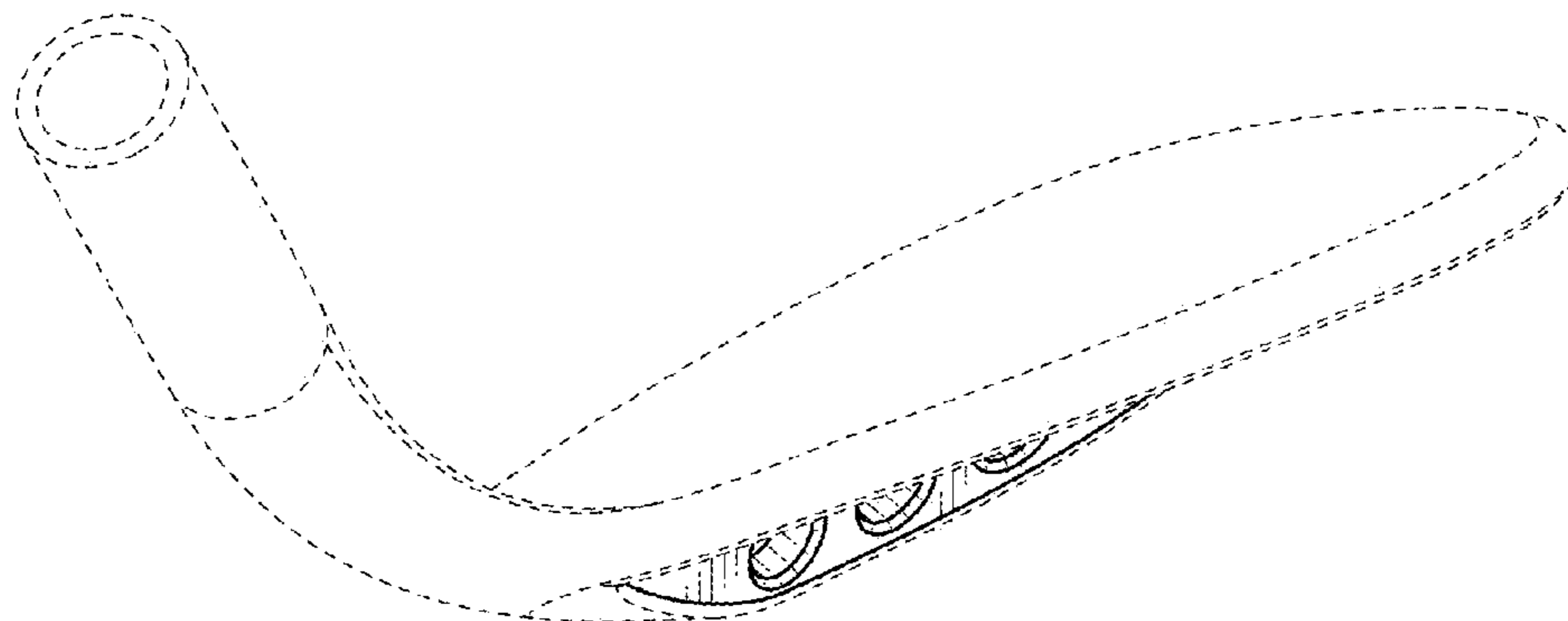


FIG. 1

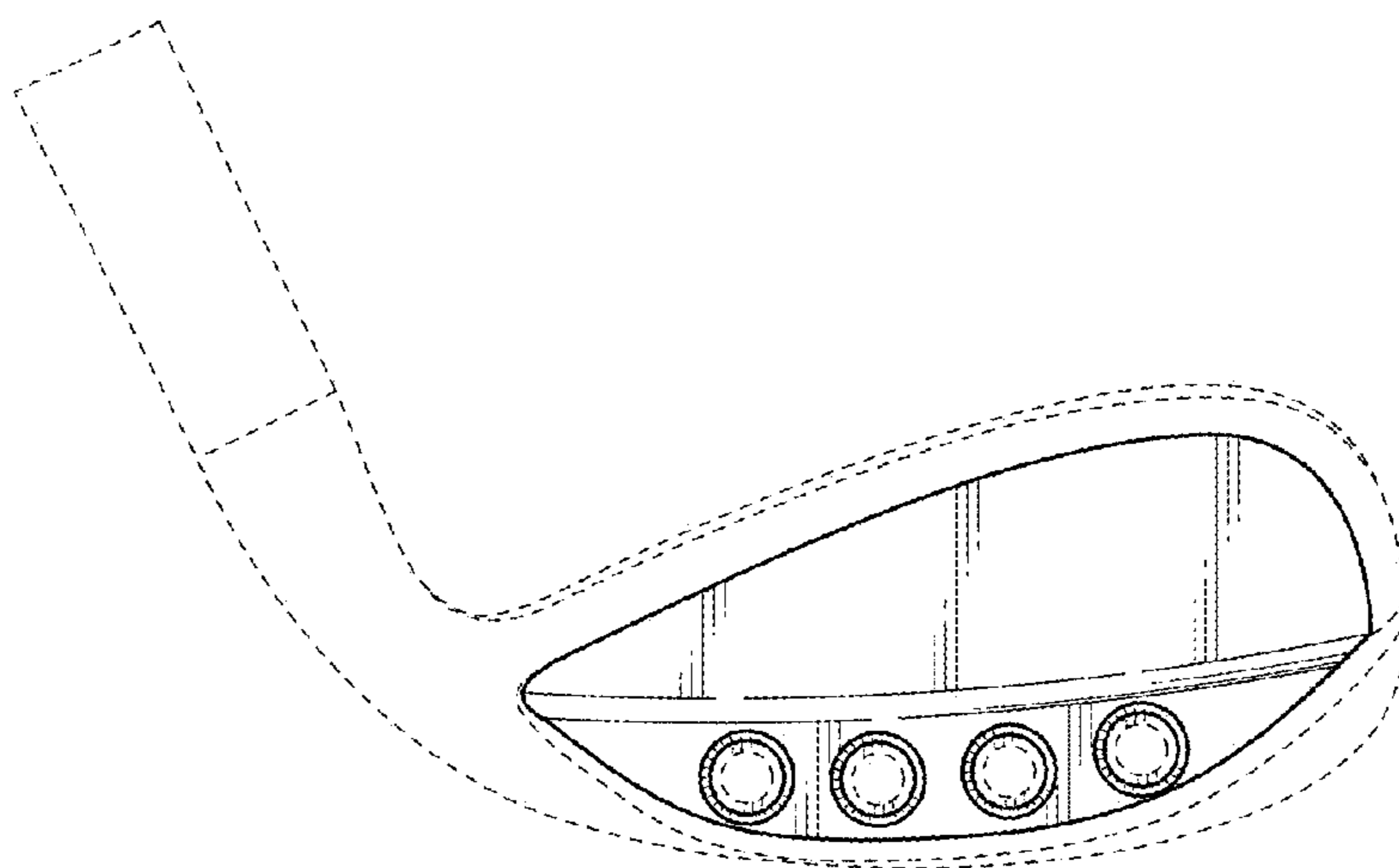


FIG. 2

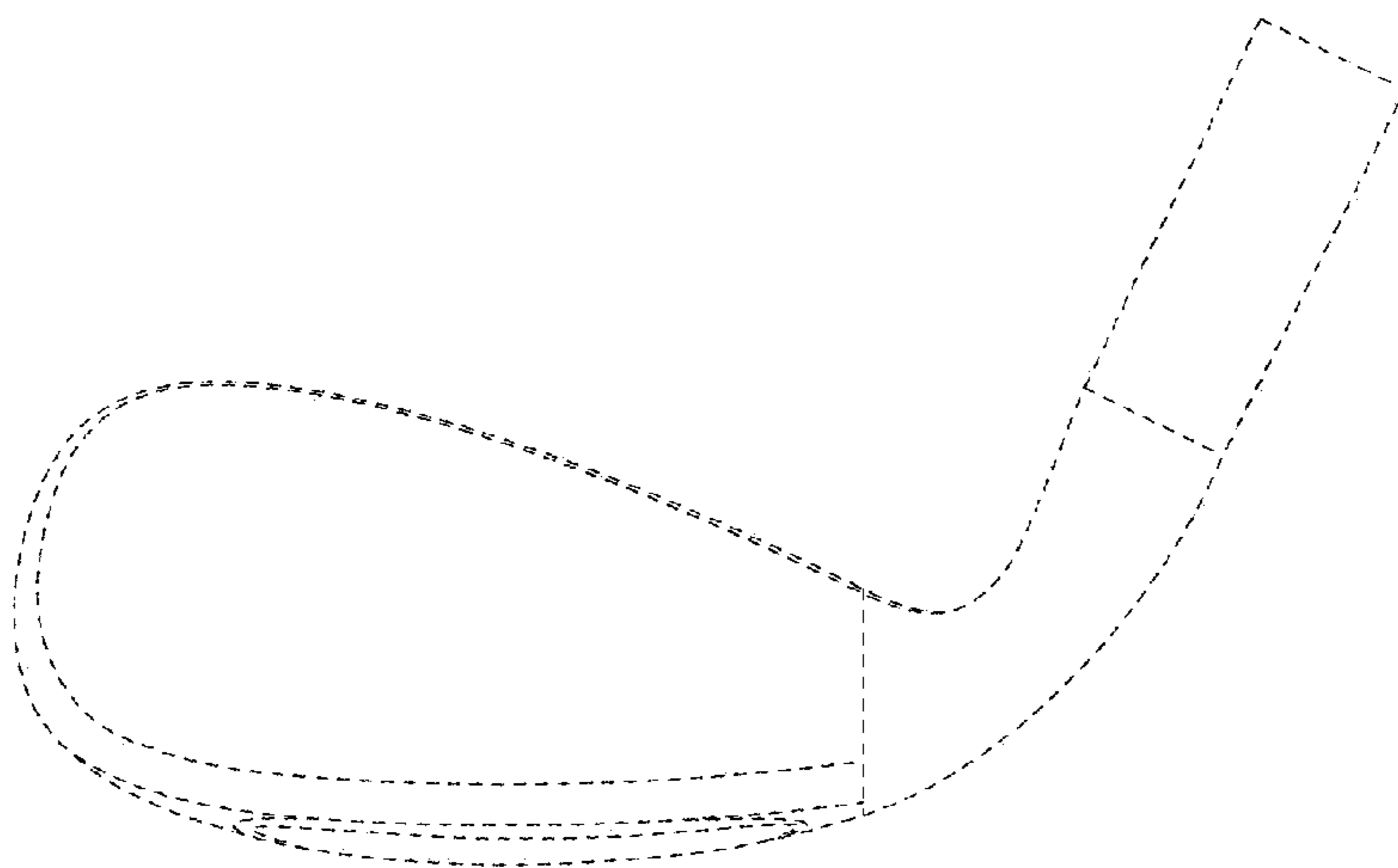


FIG. 3

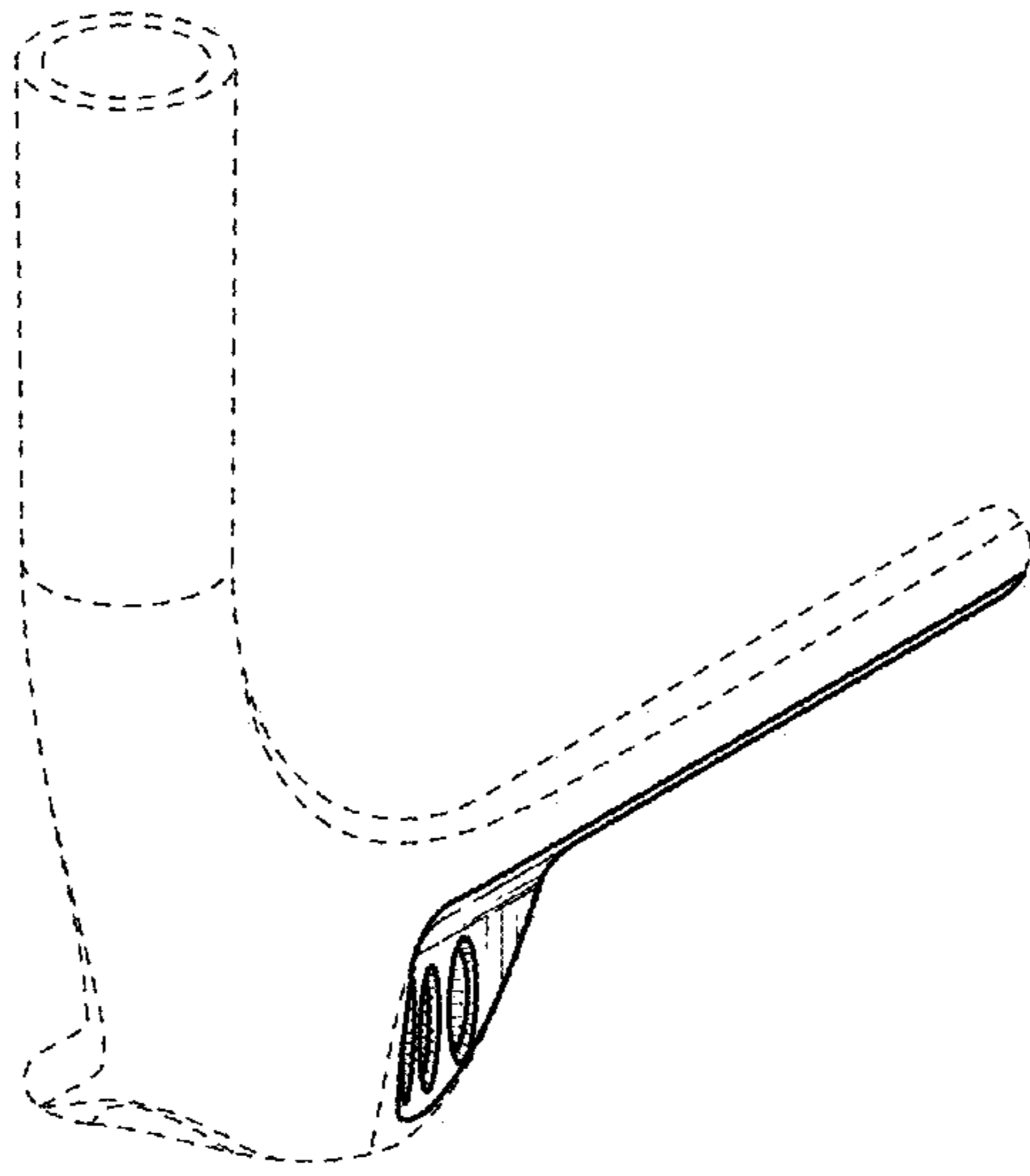


FIG. 4

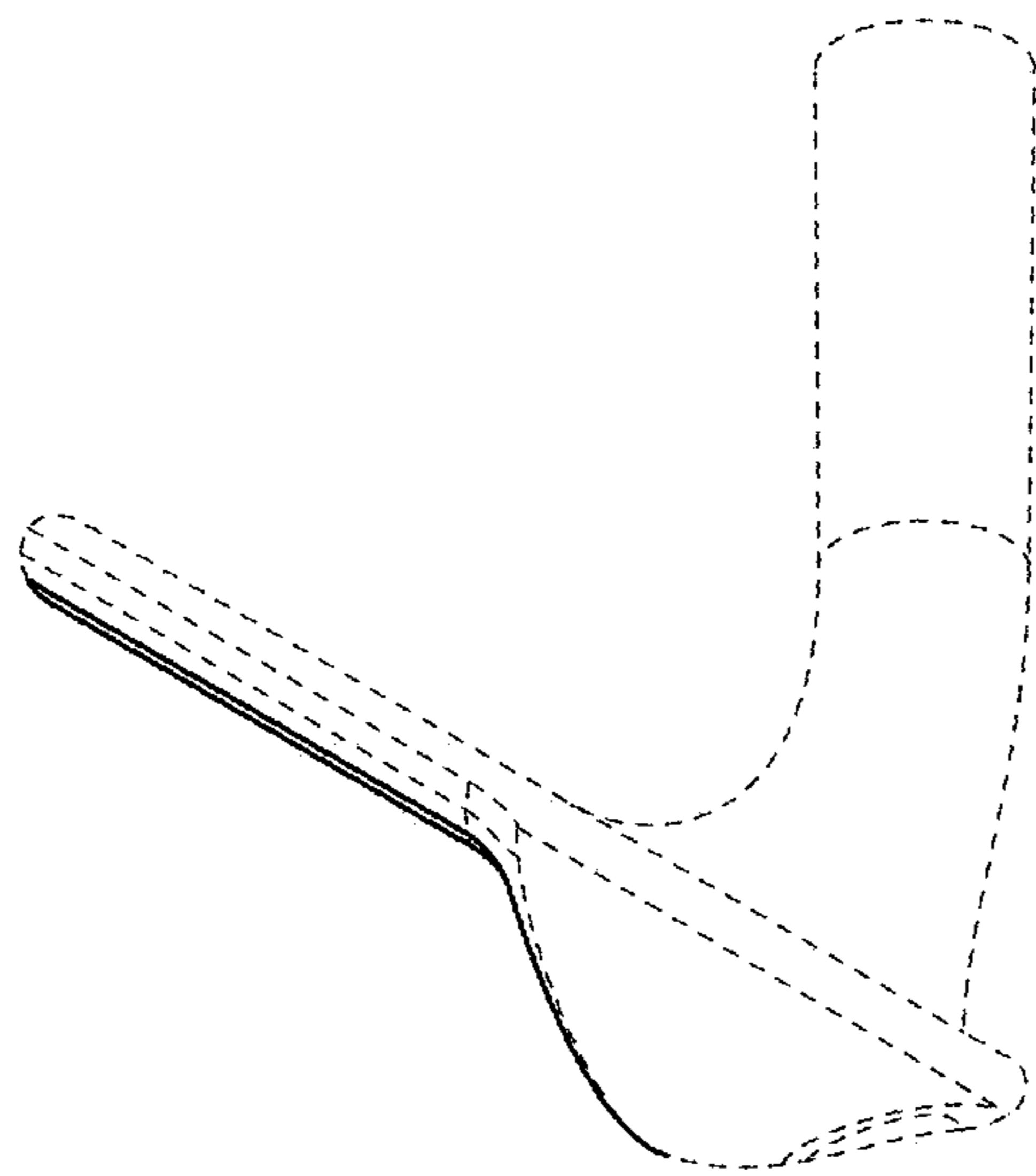


FIG. 5

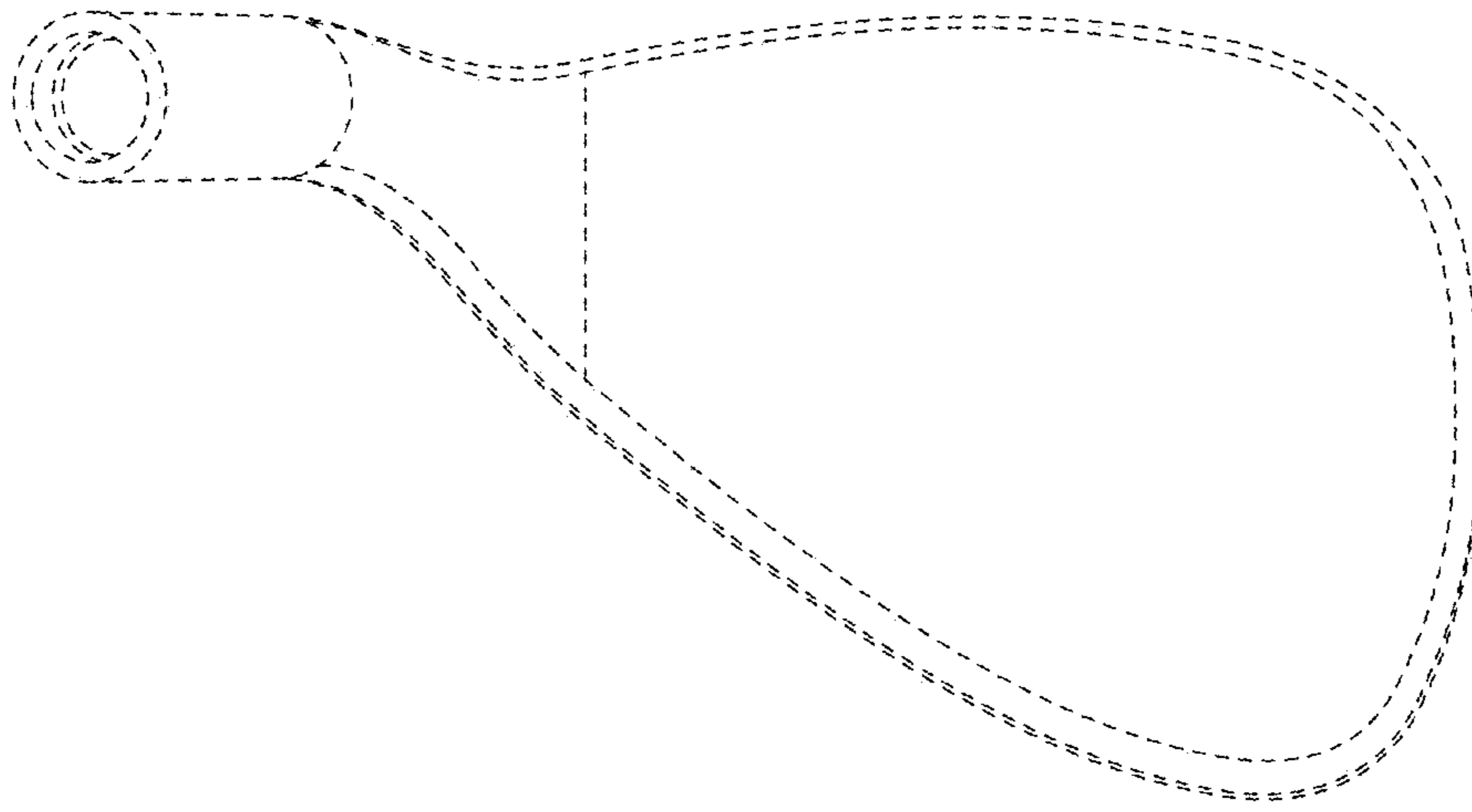


FIG. 6

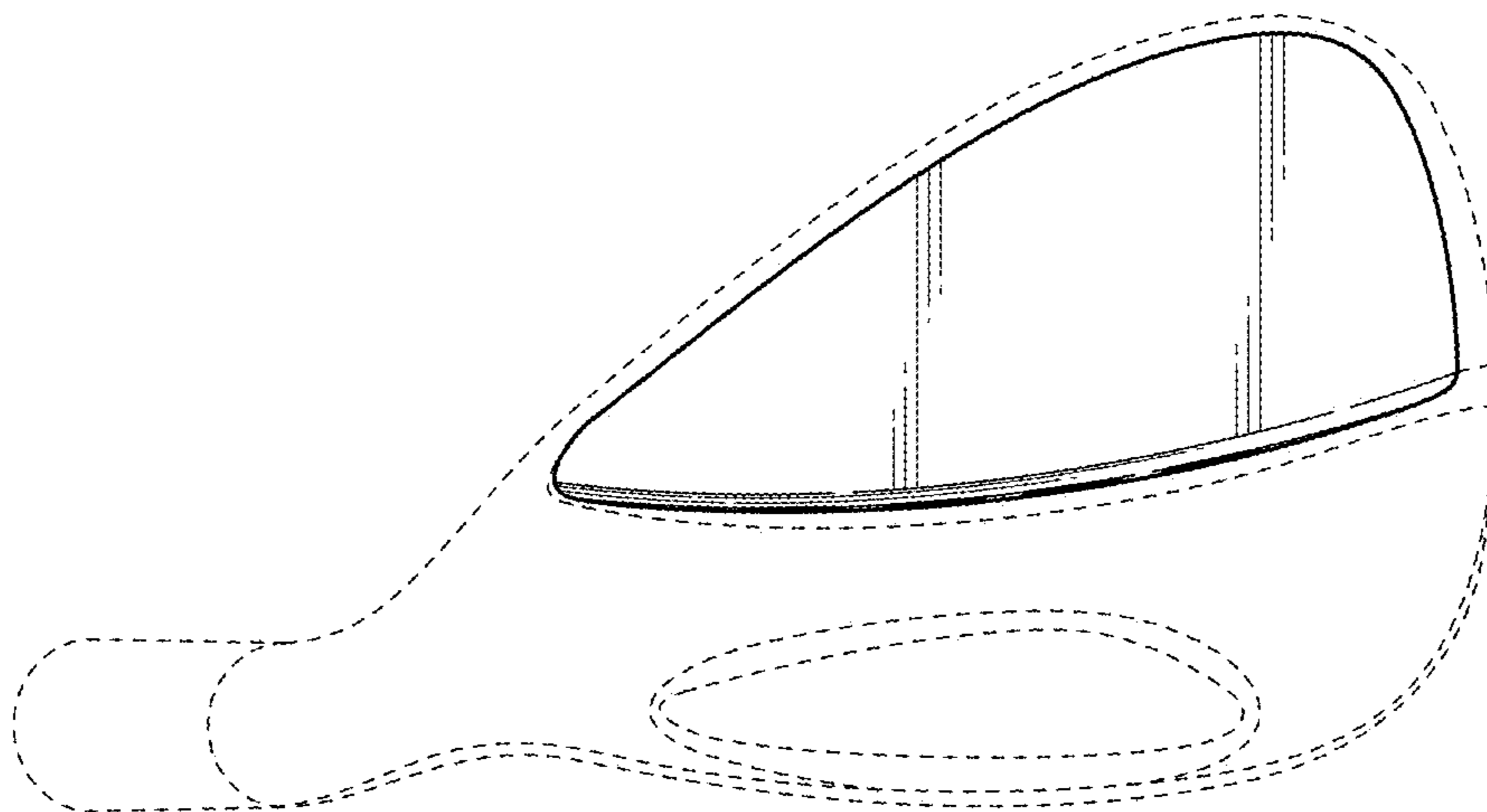


FIG. 7