



US00D751658S

(12) **United States Design Patent**
Allshouse et al.

(10) **Patent No.:** **US D751,658 S**
(45) **Date of Patent:** **** Mar. 15, 2016**

(54) **BADMINTON NET BASE**

(71) Applicant: **Indian Industries, Inc.**, Evansville, IN (US)

(72) Inventors: **James R. Allshouse**, Newburgh, IN (US); **Safari Chung**, Taipei (TW)

(73) Assignee: **Indian Industries, Inc.**, Evansville, IN (US)

(**) Term: **14 Years**

(21) Appl. No.: **29/465,086**

(22) Filed: **Aug. 23, 2013**

(51) **LOC (10) Cl.** **21-02**

(52) **U.S. Cl.**
USPC **D21/699**; D21/799.1

(58) **Field of Classification Search**
USPC D3/254–262, 274, 276, 285, 289, 301, D3/315, 904, 905, 18, 20, 23–25, 200, D3/201–203.8, 205, 206; D21/300, 301, D21/385, 394, 662, 698, 699, 705, 753, 754, D21/796, 799.1, 799.2; D9/715, 721, 737, D9/414, 420, 423, 432

CPC A63B 49/16; A63B 49/18; A63B 61/00; A63B 61/003; A63B 61/02; A63B 61/04; A63B 67/18; A63B 69/0017; A63B 71/00; A63B 71/0036; A63B 71/0045; A63B 71/021; A63B 71/045; A63B 71/02; A63B 71/023; A63B 71/028; A63B 2071/026; A63B 2210/50; A63B 2243/0083; A63B 2243/0087; A63B 2243/0095; A63B 2210/00; A63B 2210/06; A63B 2210/58; A45C 2003/007; A45C 11/24

See application file for complete search history.

(56) **References Cited**

U.S. PATENT DOCUMENTS

298,125	A *	5/1884	Shepard	473/554
D212,933	S *	12/1968	Singh	D3/256
3,716,234	A *	2/1973	Lancellotti	473/481
4,063,581	A *	12/1977	Williams	206/315.1

(Continued)

FOREIGN PATENT DOCUMENTS

CN	302082317	*	9/2012
CN	302362634	*	3/2013

(Continued)

OTHER PUBLICATIONS

[Online][retrieved on Nov. 4, 2013] Retrieved from <http://en.artengo.com/nets/3820-artengo-easy-set-ltd-edition.html>.

Primary Examiner — Catherine Tuttle

(74) *Attorney, Agent, or Firm* — Woodard, Emhardt, Moriarty, McNett & Henry LLP

(57) **CLAIM**

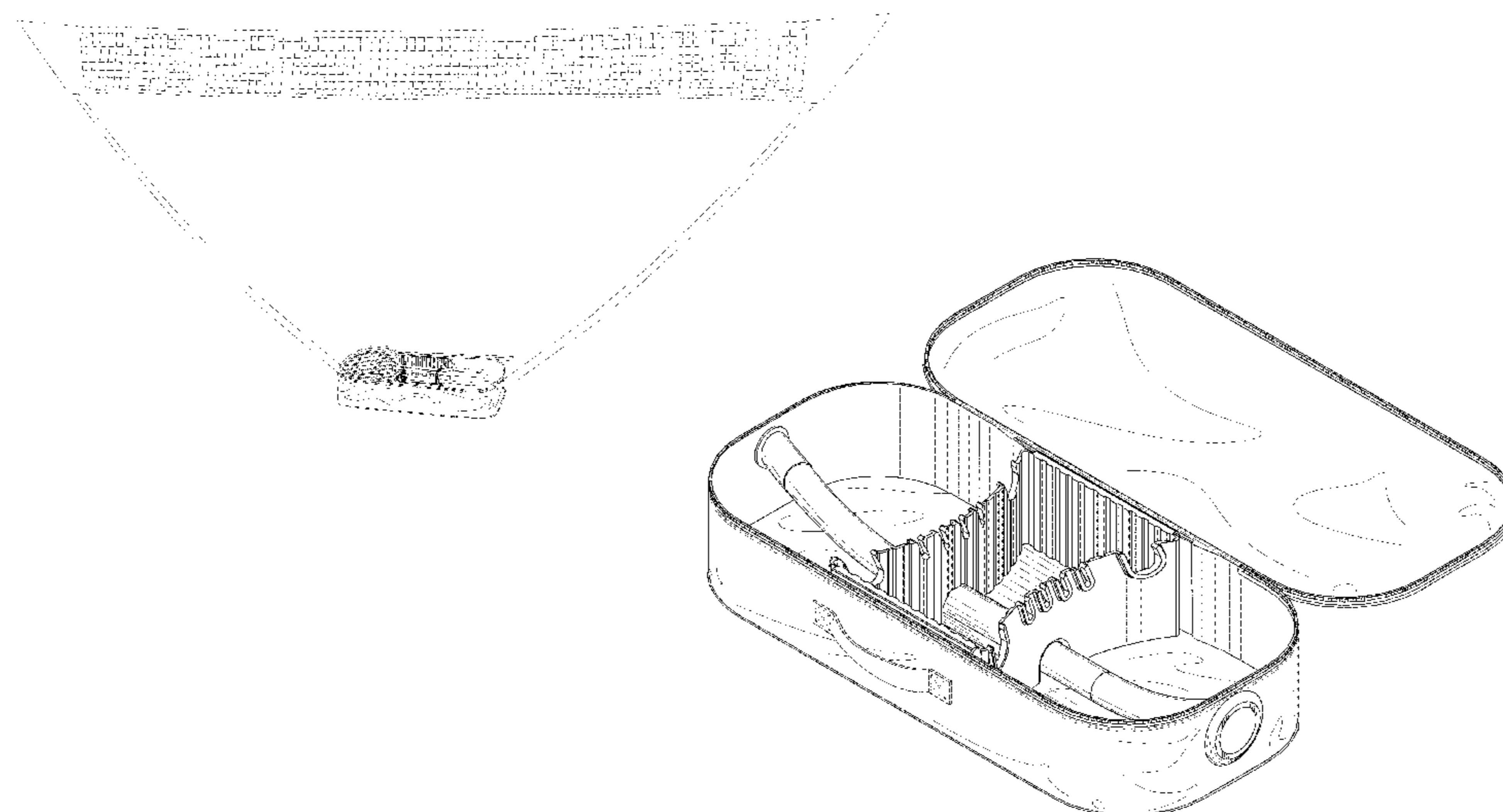
The ornamental design for a badminton net base, as shown and described.

DESCRIPTION

FIG. 1 is a perspective view of a badminton net base showing our new design together with environmental elements;
 FIG. 2 is a top perspective view showing the design in a closed state, and without the environmental elements;
 FIG. 3 is a top perspective view showing the design in an open state, and without the environmental elements;
 FIG. 4 is a top plan view of FIG. 3;
 FIG. 5 is front view of FIG. 3;
 FIG. 6 is a left end view of FIG. 3;
 FIG. 7 is a rear view of FIG. 3;
 FIG. 8 is a right end view of FIG. 3; and,
 FIG. 9 is a bottom plan view of FIG. 3.

The broken lines are included for the purpose of illustrating the portions of the badminton net base and environmental elements that form no part of the claimed design.

1 Claim, 7 Drawing Sheets



(56)

References Cited

U.S. PATENT DOCUMENTS

4,182,391 A * 1/1980 Kjose 224/581
4,262,798 A * 4/1981 Raab 206/315.1
4,357,019 A * 11/1982 Wouters 473/473
4,890,731 A * 1/1990 Mroz 206/315.9
D316,330 S * 4/1991 Vicente D3/295
5,303,932 A * 4/1994 Kessler 473/492
D411,918 S * 7/1999 Neuman D3/289
D449,158 S * 10/2001 Banks D3/205
6,390,307 B1 * 5/2002 Stelter 211/60.1
D479,041 S * 9/2003 Fonfeder D3/206

6,722,671 B2 * 4/2004 Be 280/47.26
D600,440 S * 9/2009 Gaikwad et al. D3/203.1
D620,254 S * 7/2010 Noraker D3/260
D716,046 S * 10/2014 Mullen et al. D3/254
2011/0056233 A1 * 3/2011 Flaker et al. 62/457.7
2011/0077107 A1 * 3/2011 Deer 473/437
2015/0014212 A1 * 1/2015 Beaver et al. 206/579

FOREIGN PATENT DOCUMENTS

CN 202920921 U * 5/2013
CN 302527540 * 8/2013

* cited by examiner

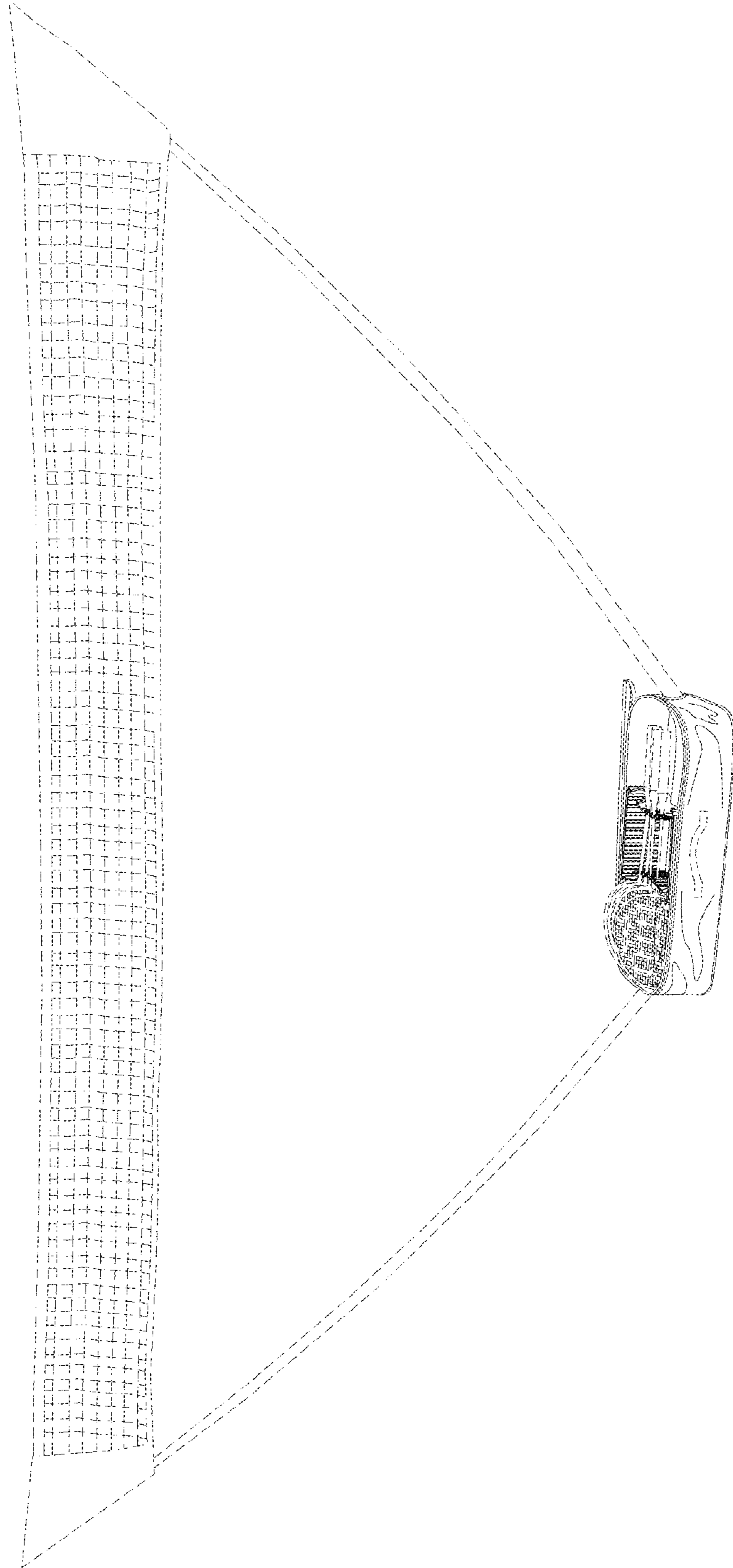


Fig. 1

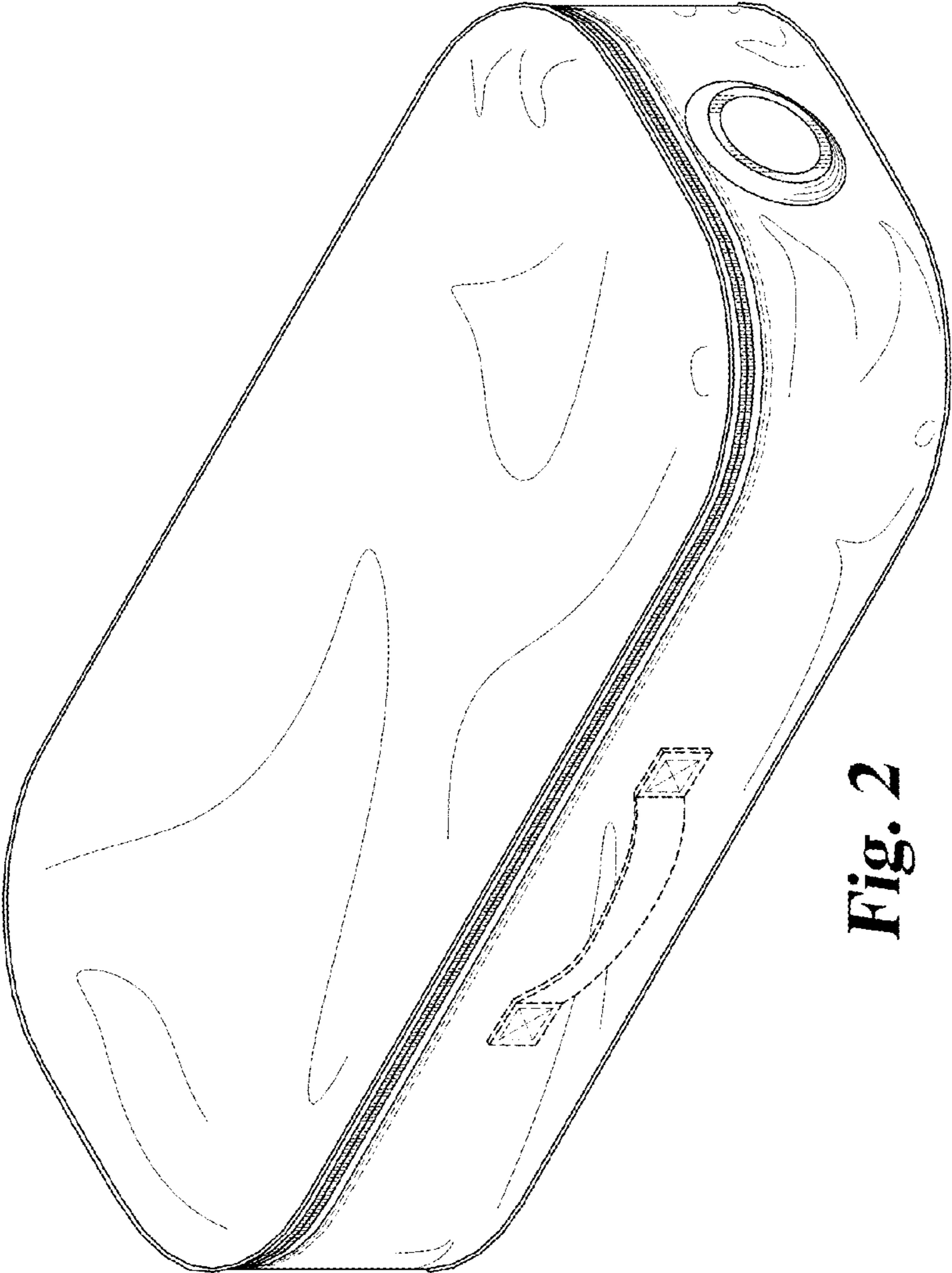


Fig. 2

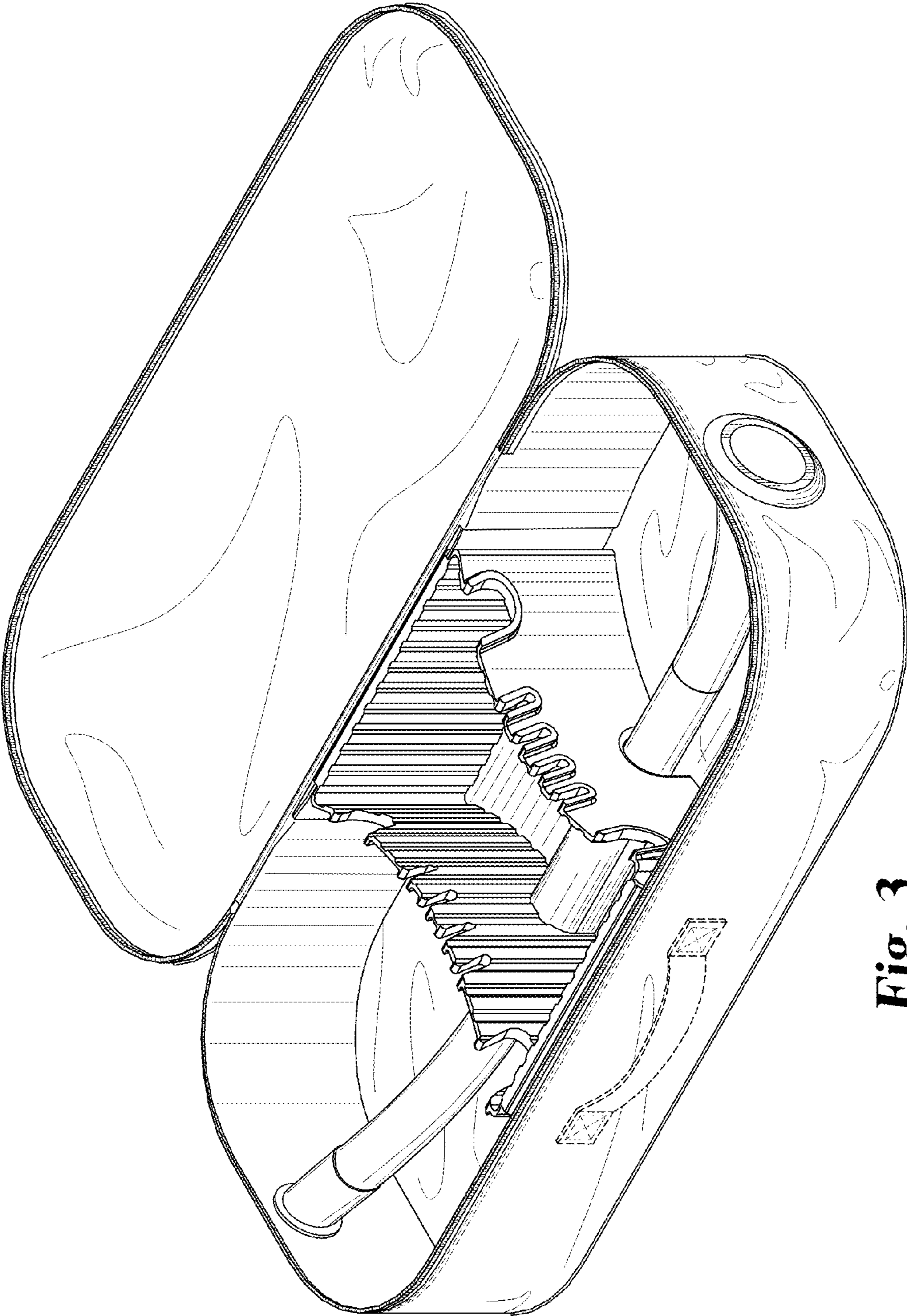


Fig. 3

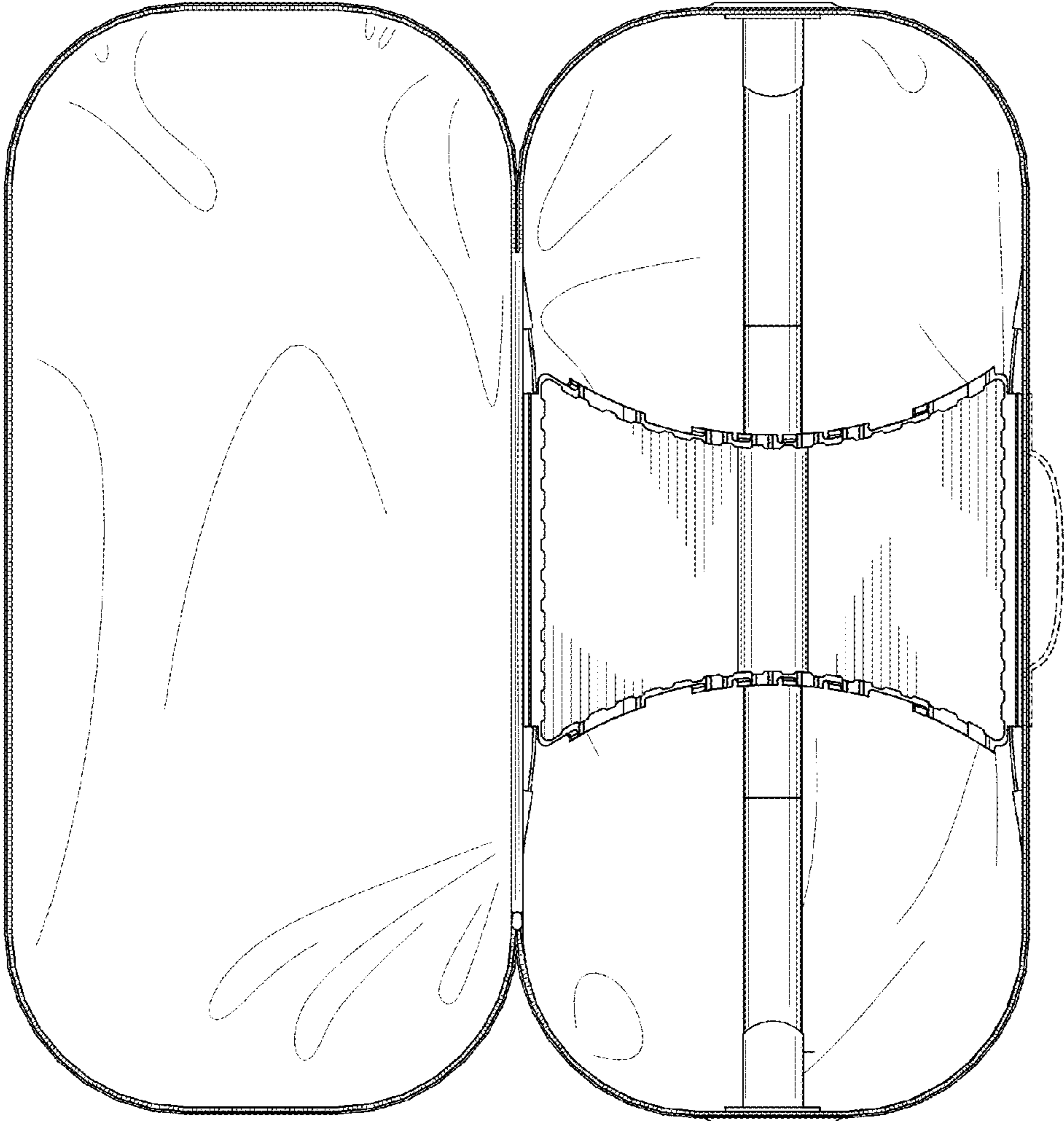


Fig. 4

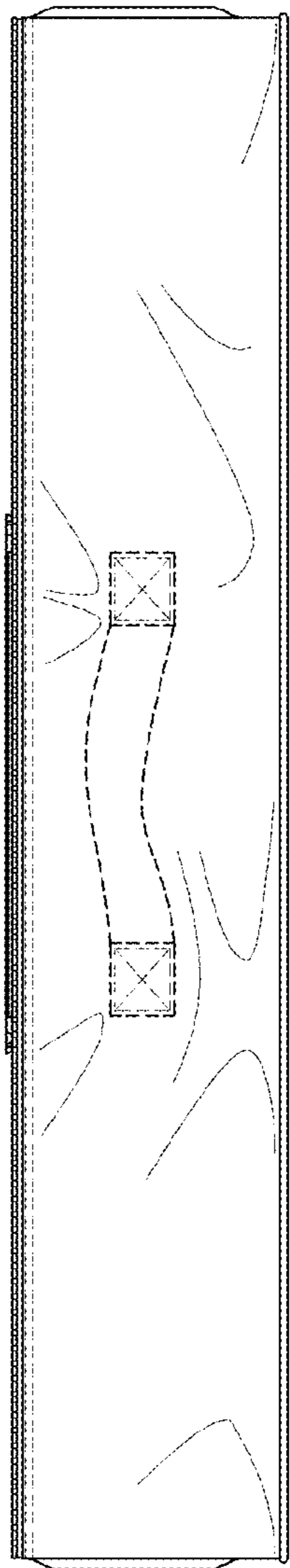


Fig. 5

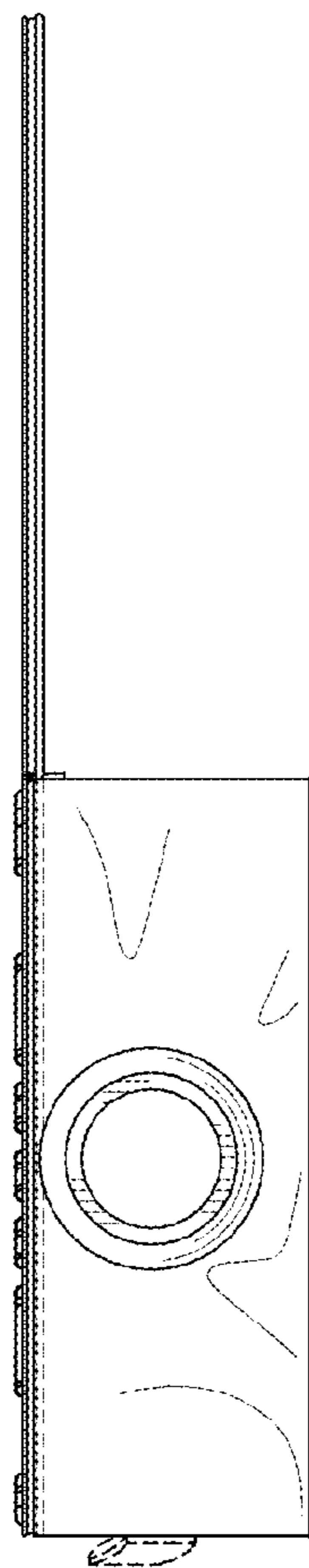


Fig. 6

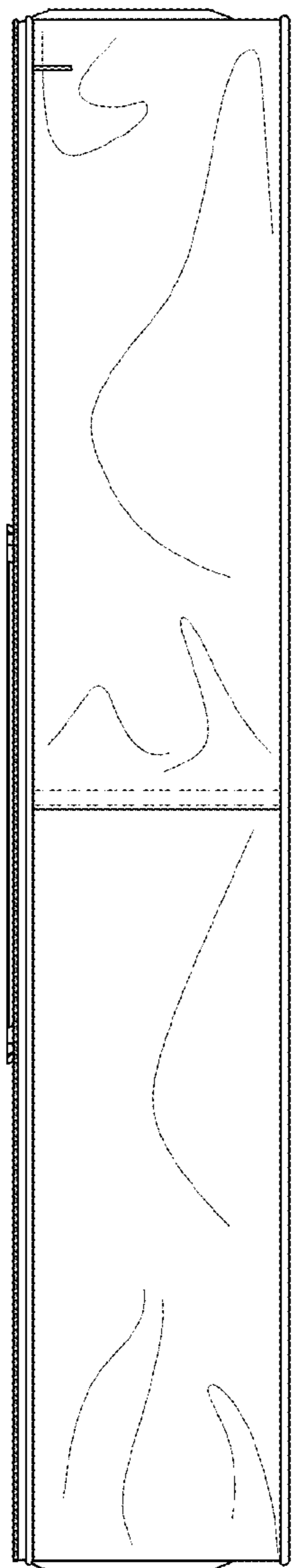


Fig. 7

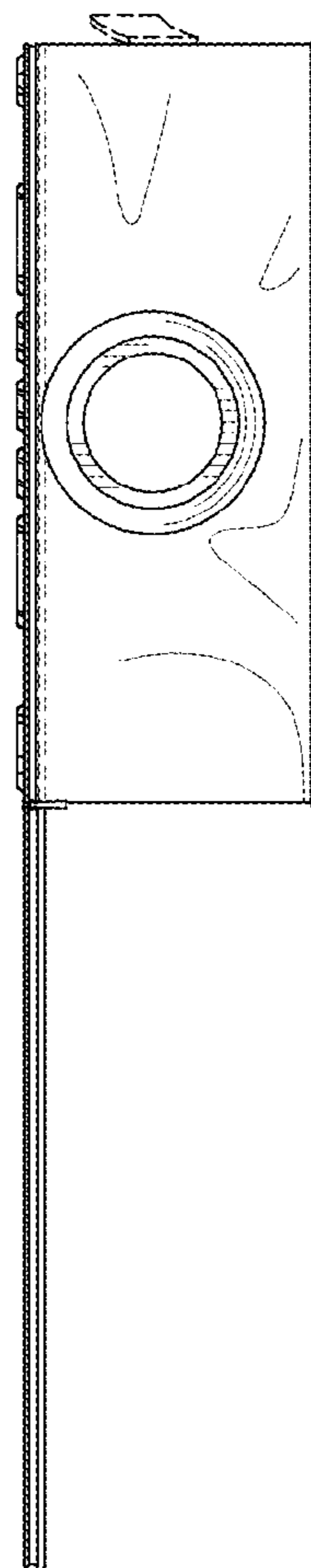


Fig. 8



Fig. 9