



US00D751656S

(12) **United States Design Patent**  
**Malm**

(10) **Patent No.:** **US D751,656 S**  
(45) **Date of Patent:** **\*\* Mar. 15, 2016**

(54) **STATIONARY BIKE FRAME**

(71) Applicant: **Chad Malm**, Monona, WI (US)

(72) Inventor: **Chad Malm**, Monona, WI (US)

(73) Assignee: **Johnson Health Tech Co., Ltd.**,  
Taichung (TW)

(\*\*) Term: **14 Years**

(21) Appl. No.: **29/504,743**

(22) Filed: **Oct. 9, 2014**

(51) **LOC (10) Cl.** ..... **21-02**

(52) **U.S. Cl.**  
USPC ..... **D21/686**

(58) **Field of Classification Search**  
USPC ..... D21/663, 667, 666, 697, 694, 665, 668,  
D21/664; 482/61, 57, 58, 127, 133, 51, 9,  
482/60, 904, 8, 1, 900, 63, 908; 188/24.11;  
74/502.4, 502.6, 551.1, 551.8;  
248/444.1, 205.1; D8/303; D12/178,  
D12/411  
CPC .. A63B 22/0605; A63B 69/16; A63B 21/225;  
Y10T 74/2078; Y10T 74/20822

See application file for complete search history.

(56) **References Cited**

U.S. PATENT DOCUMENTS

D380,795 S *	7/1997	Wang et al. ....	D21/663
D480,121 S *	9/2003	Lee .....	D21/694
D520,577 S *	5/2006	Nelson et al. ....	D21/686
D542,365 S *	5/2007	Corbalis et al. ....	D21/697
D728,045 S *	4/2015	Hubler et al. ....	D21/694

\* cited by examiner

*Primary Examiner* — Robert M Spear

*Assistant Examiner* — Ryan Harvey

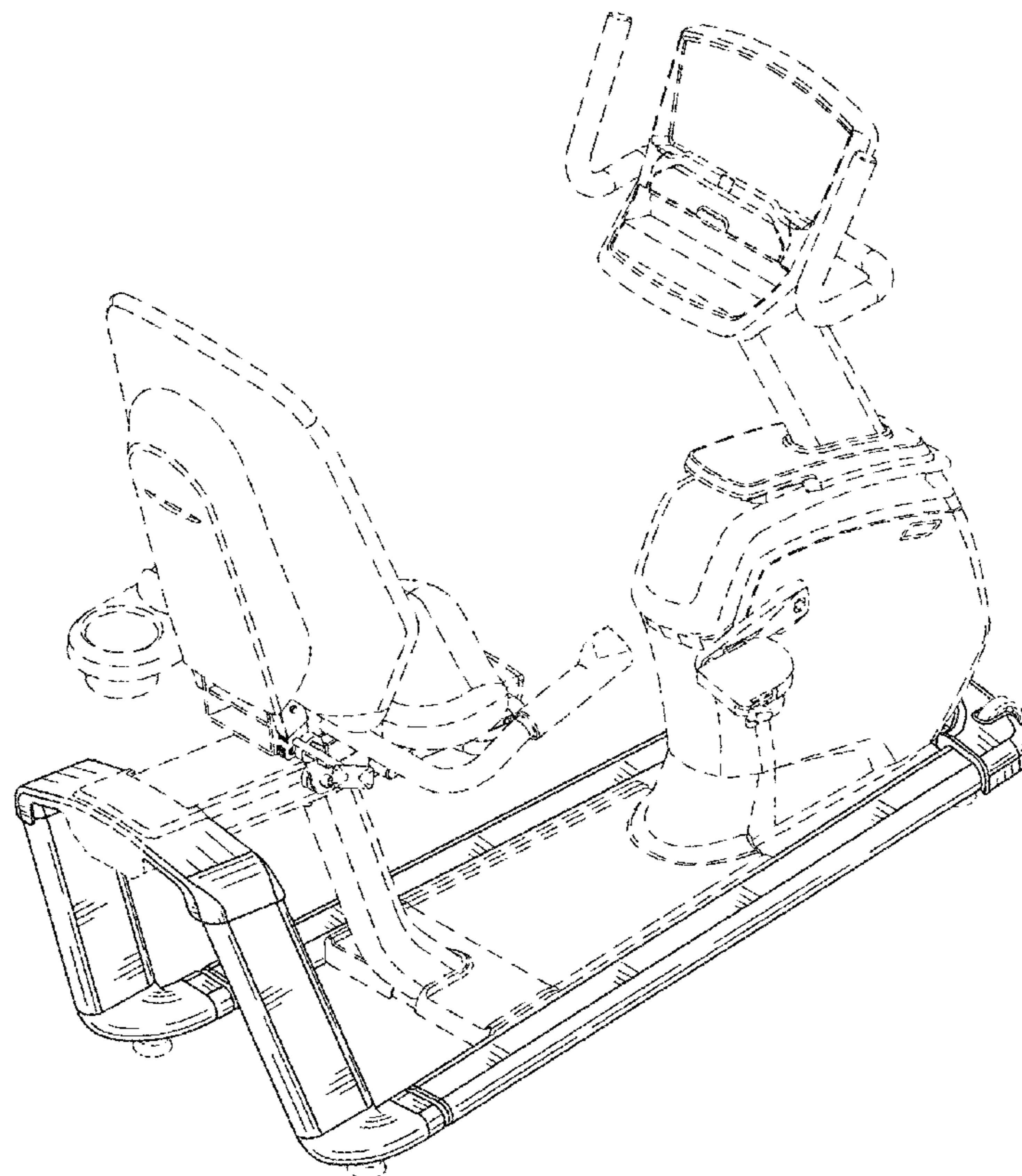
(57) **CLAIM**

The ornamental design for a stationary bike frame, as shown and described.

**DESCRIPTION**

FIG. 1 is a perspective view of a stationary bike frame showing my new design;  
FIG. 2 is a front elevational view thereof;  
FIG. 3 is a rear elevational view thereof;  
FIG. 4 is a left side elevational view thereof;  
FIG. 5 is a right side elevational view thereof;  
FIG. 6 is a top plan view thereof;  
FIG. 7 is a bottom plan view thereof; and,  
FIG. 8 is a perspective view thereof shown in use position.  
The broken lines in the drawings depict unclaimed environmental subject matter.

**1 Claim, 8 Drawing Sheets**



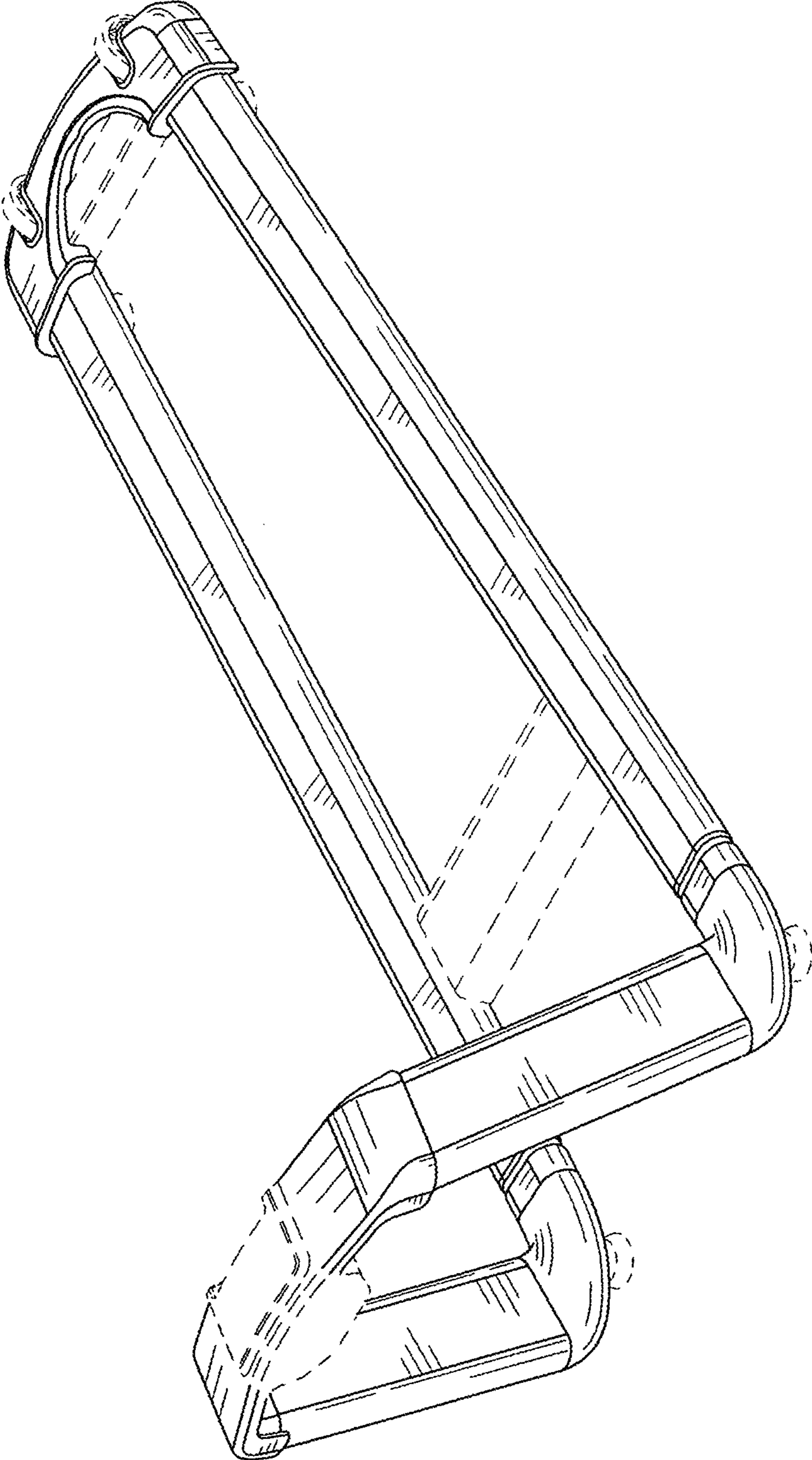


Fig. 1

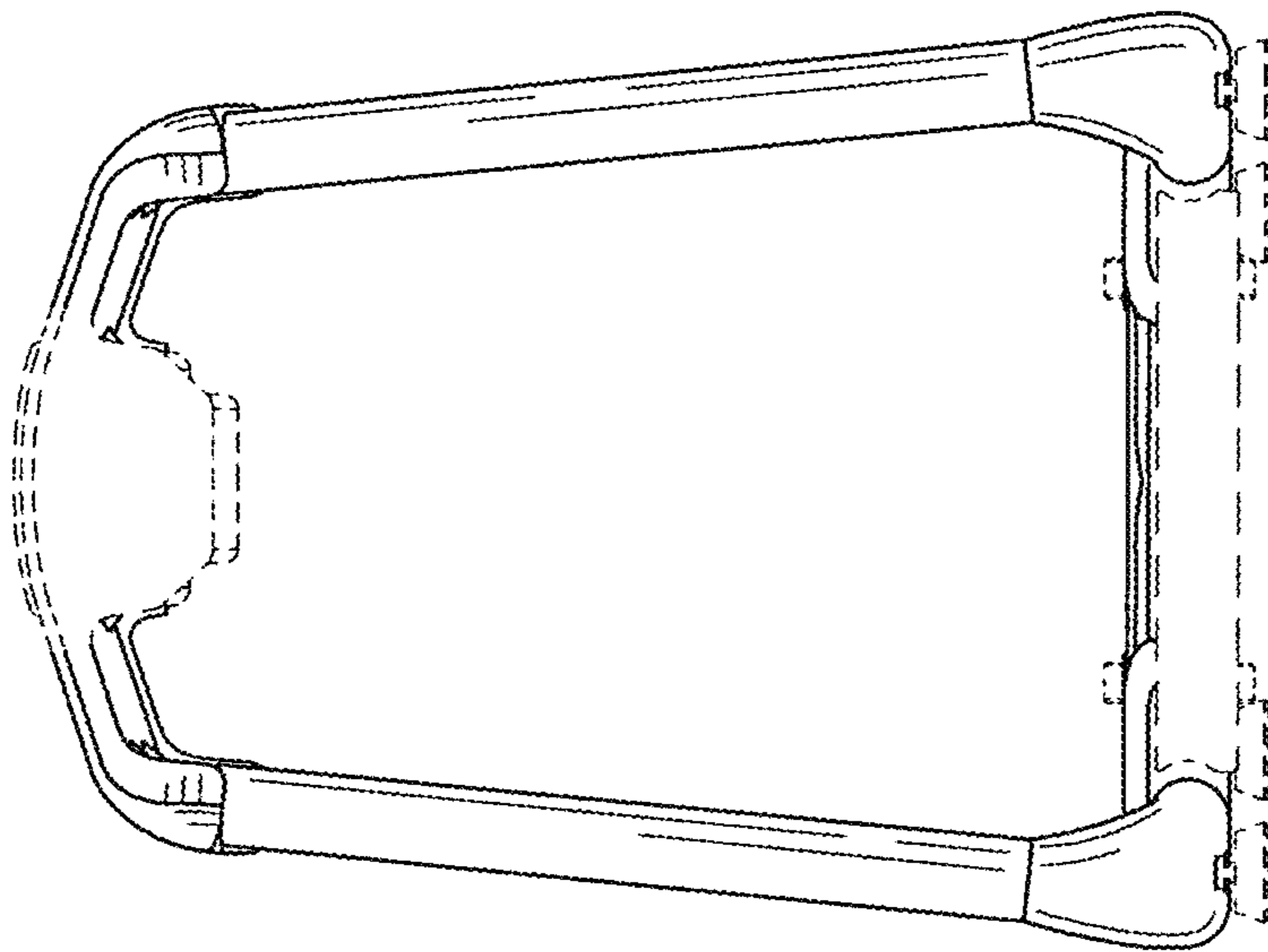


Fig. 2

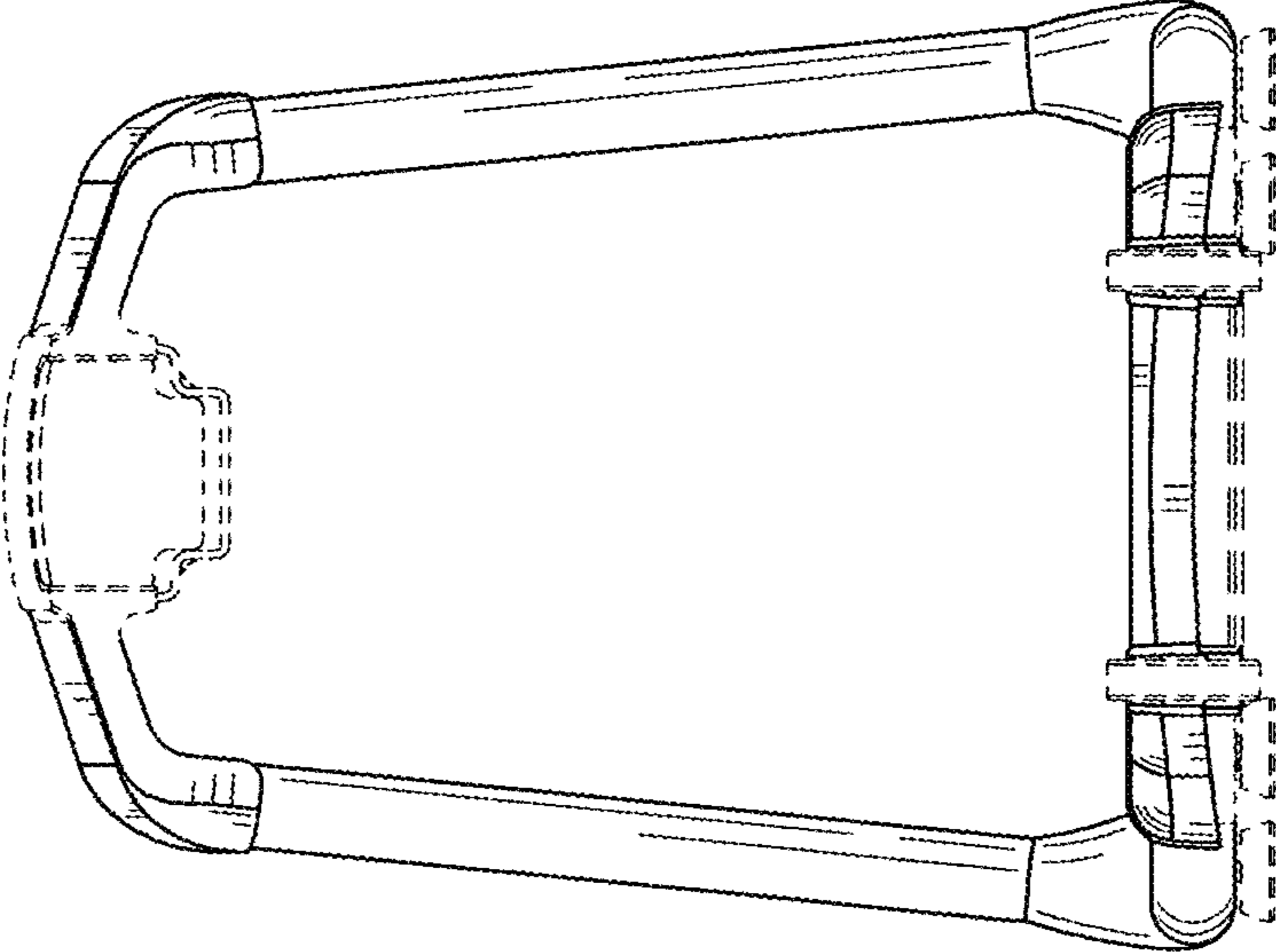


Fig. 3

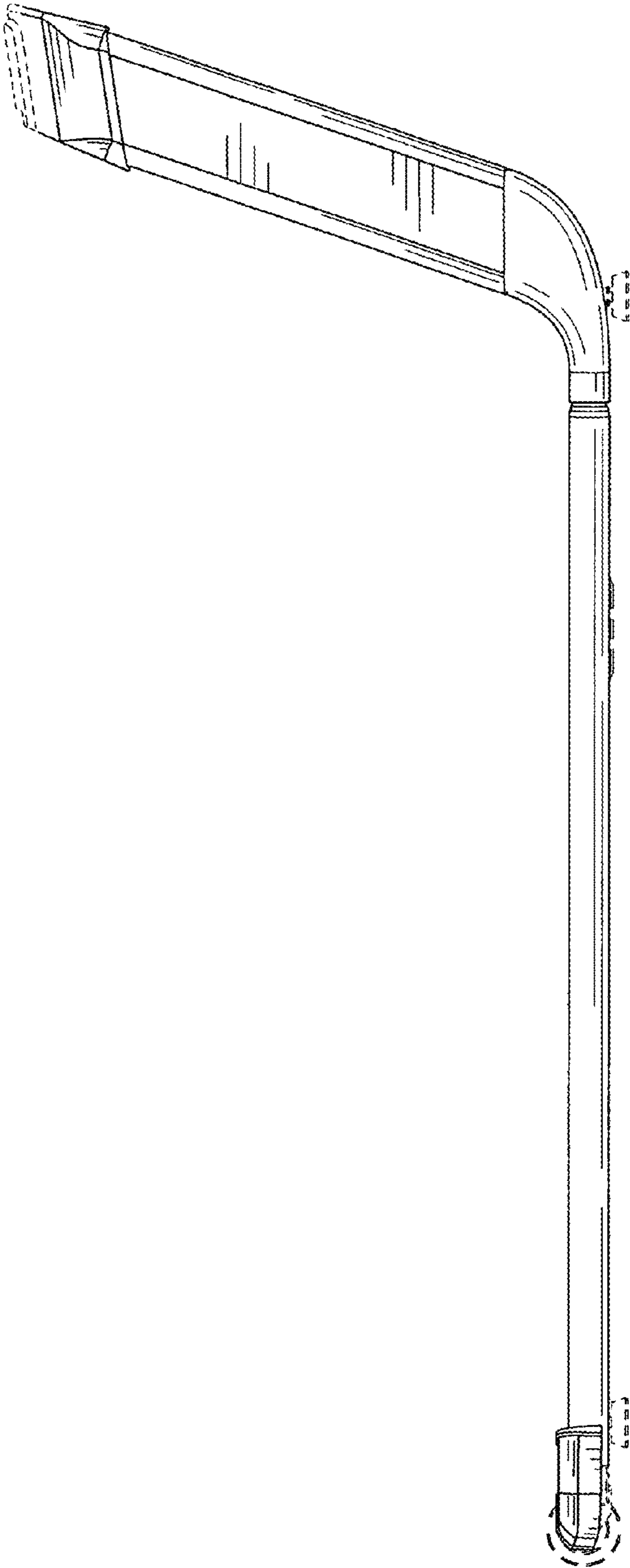


Fig. 4



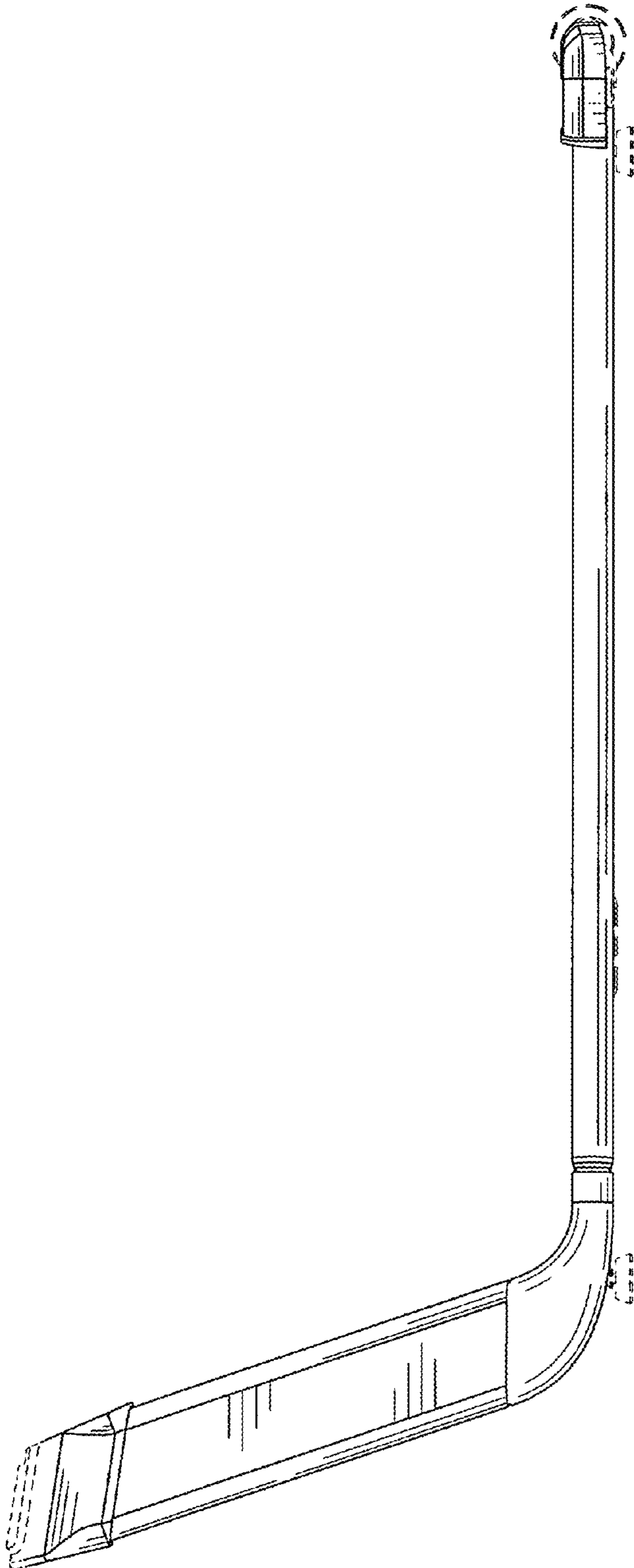


Fig. 5

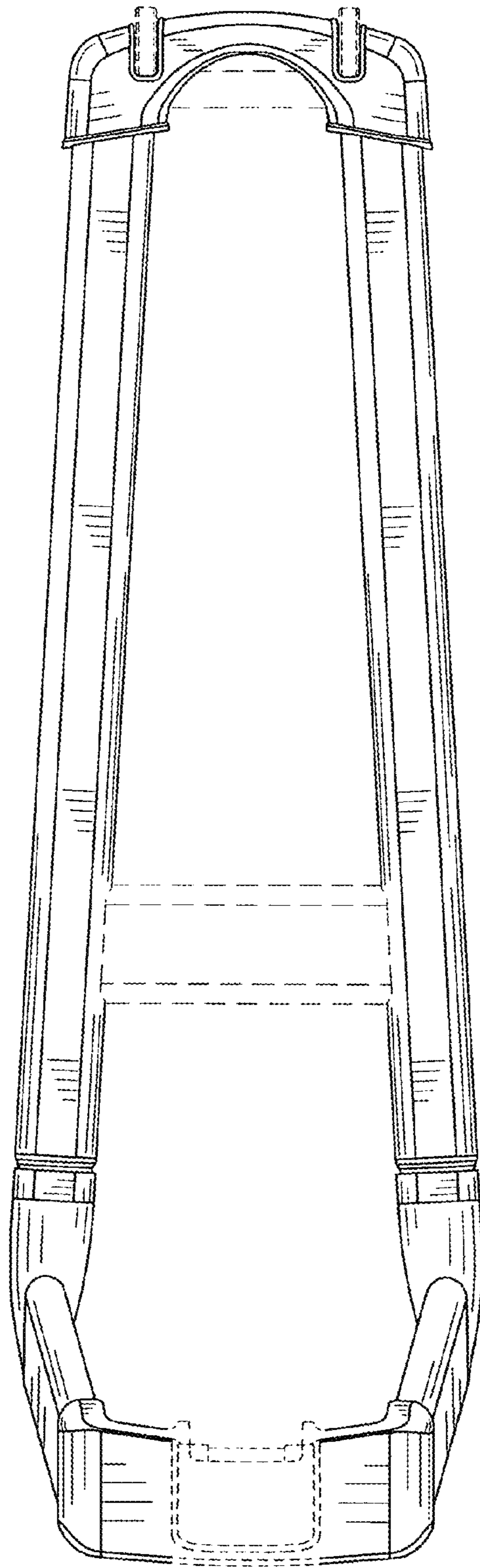


Fig. 6

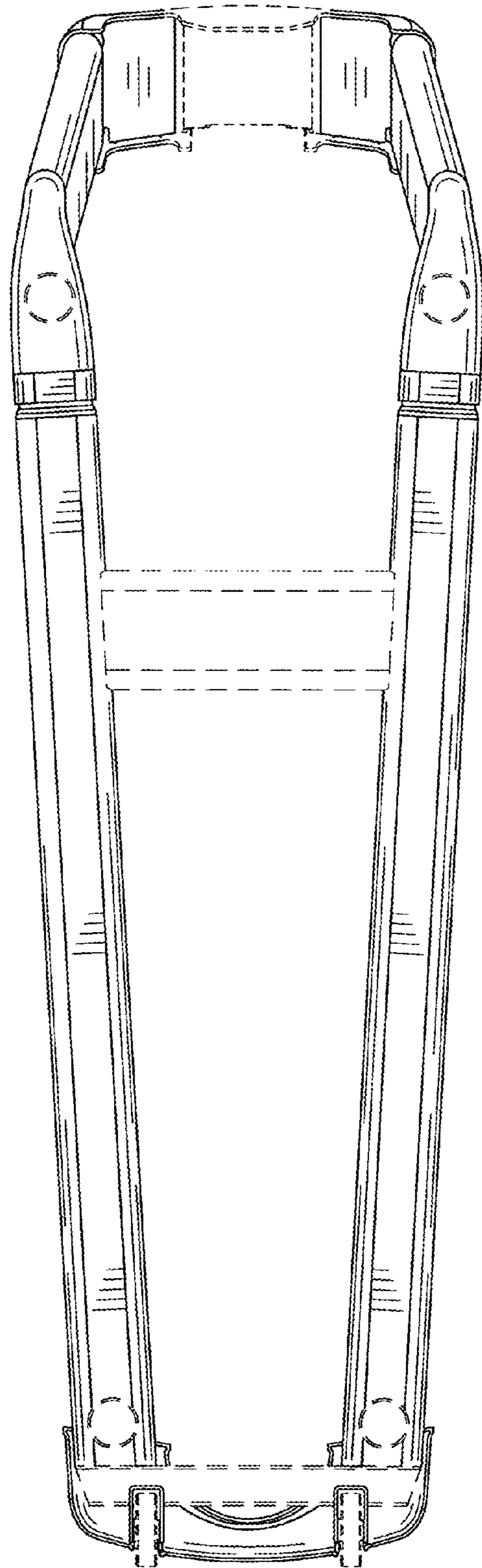


Fig. 7



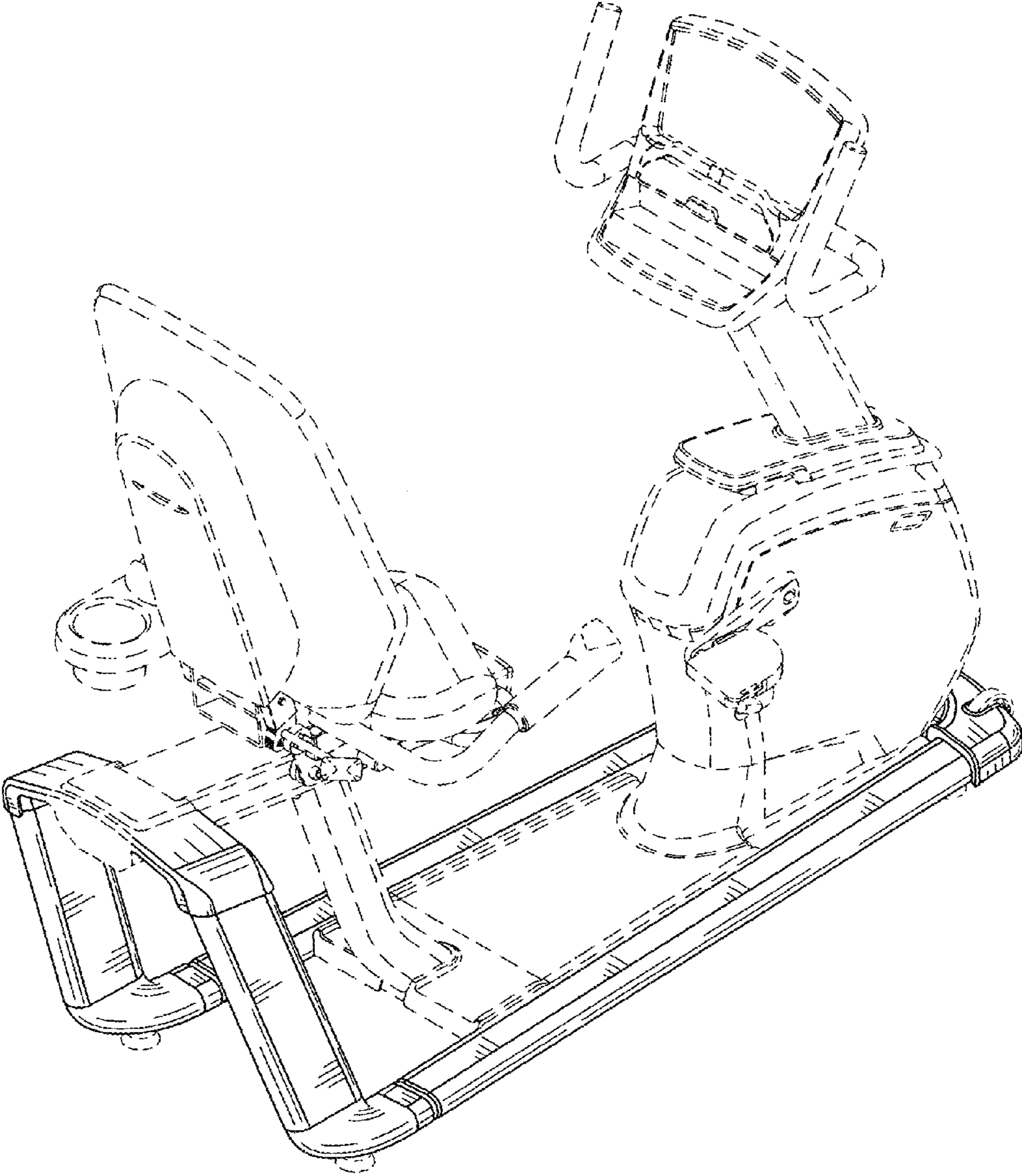


Fig. 8