



US00D751655S

(12) **United States Design Patent**  
**Januszek**

(10) **Patent No.:** **US D751,655 S**  
(45) **Date of Patent:** **\*\* Mar. 15, 2016**

(54) **EXERCISE TIRE**

(71) Applicant: **Escape Fitness Limited**, Peterborough,  
Cambridgeshire (GB)

(72) Inventor: **Matthew Januszek**, Peterborough (GB)

(73) Assignee: **Escape Fitness Limited**, Peterborough,  
Cambridgeshire (GB)

(\*\*) Term: **14 Years**

(21) Appl. No.: **29/502,929**

(22) Filed: **Sep. 22, 2014**

(51) **LOC (10) Cl.** ..... **21-02**

(52) **U.S. Cl.**  
USPC ..... **D21/662**

(58) **Field of Classification Search**

USPC ..... D21/681, 680, 684, 682, 694, 679, 803,  
D21/770, 801; 482/93, 106, 108, 45, 110,  
482/44; 29/428; 446/170; 273/109;  
D30/160; 441/66, 131, 67; 114/345,  
114/361; D12/316, 202; D7/608, 606  
CPC ..... Y10T 29/49826; A63B 21/0728;  
A63B 21/072; A63B 21/06; A63B 21/075;  
A63B 21/0724

See application file for complete search history.

(56) **References Cited**

**U.S. PATENT DOCUMENTS**

5,383,804 A \* 1/1995 Mitch ..... B63B 35/76  
441/66  
D384,720 S \* 10/1997 Spomer ..... D21/803  
D428,955 S \* 8/2000 Peterson ..... D21/801  
D429,787 S \* 8/2000 Peterson ..... D21/803

(Continued)

**OTHER PUBLICATIONS**

Tiyr by Escape Fitness no date given. Found online [Oct. 7, 2015]  
[http://www.escapefitness.com/uk/new-products/tiyr.\\*](http://www.escapefitness.com/uk/new-products/tiyr.*)

*Primary Examiner* — Robert M Spear

*Assistant Examiner* — Ryan Harvey

(74) *Attorney, Agent, or Firm* — Troutman Sanders LLP;  
Ryan A. Schneider; Benjamin C. Wiles

(57) **CLAIM**

The ornamental design for an exercise tire, as shown and described.

**DESCRIPTION**

FIG. 1 is an isometric view of the exercise tire of the present invention;

FIG. 2 is a side view of the exercise tire of FIG. 1;

FIG. 3 is the other side view of the exercise tire of FIG. 1;

FIG. 4 is a front view of the exercise tire of FIG. 1;

FIG. 5 is a back view of the exercise tire of FIG. 1;

FIG. 6 is a top view of the exercise tire of FIG. 1;

FIG. 7 is a bottom view of the exercise tire of FIG. 1;

FIG. 8 is an isometric view of a second embodiment of the exercise tire of the present invention, wherein the outer edge has a tire pattern;

FIG. 9 is a side view of the exercise tire of FIG. 8;

FIG. 10 is the other side view of the exercise tire of FIG. 8;

FIG. 11 is a front view of the exercise tire of FIG. 8;

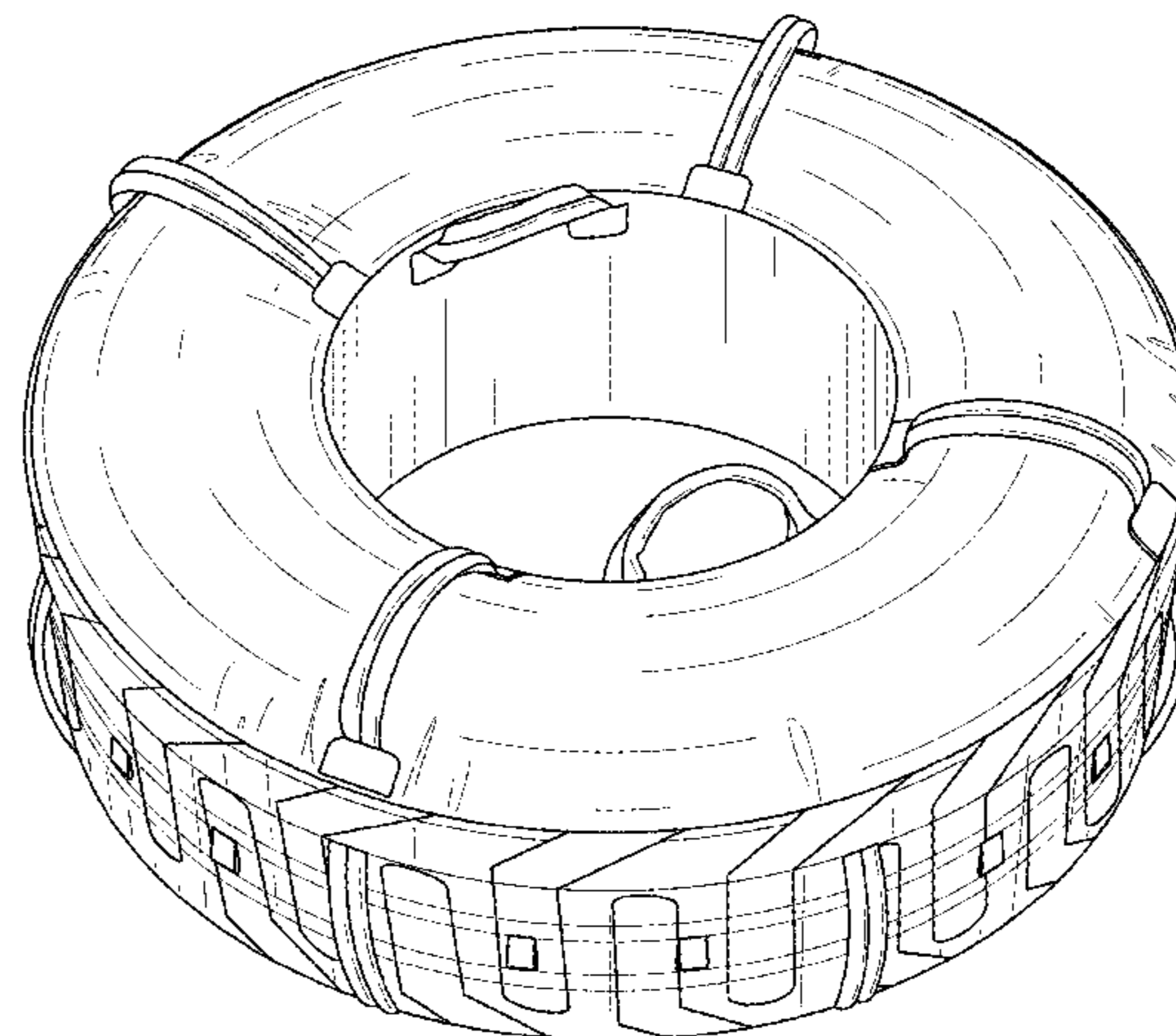
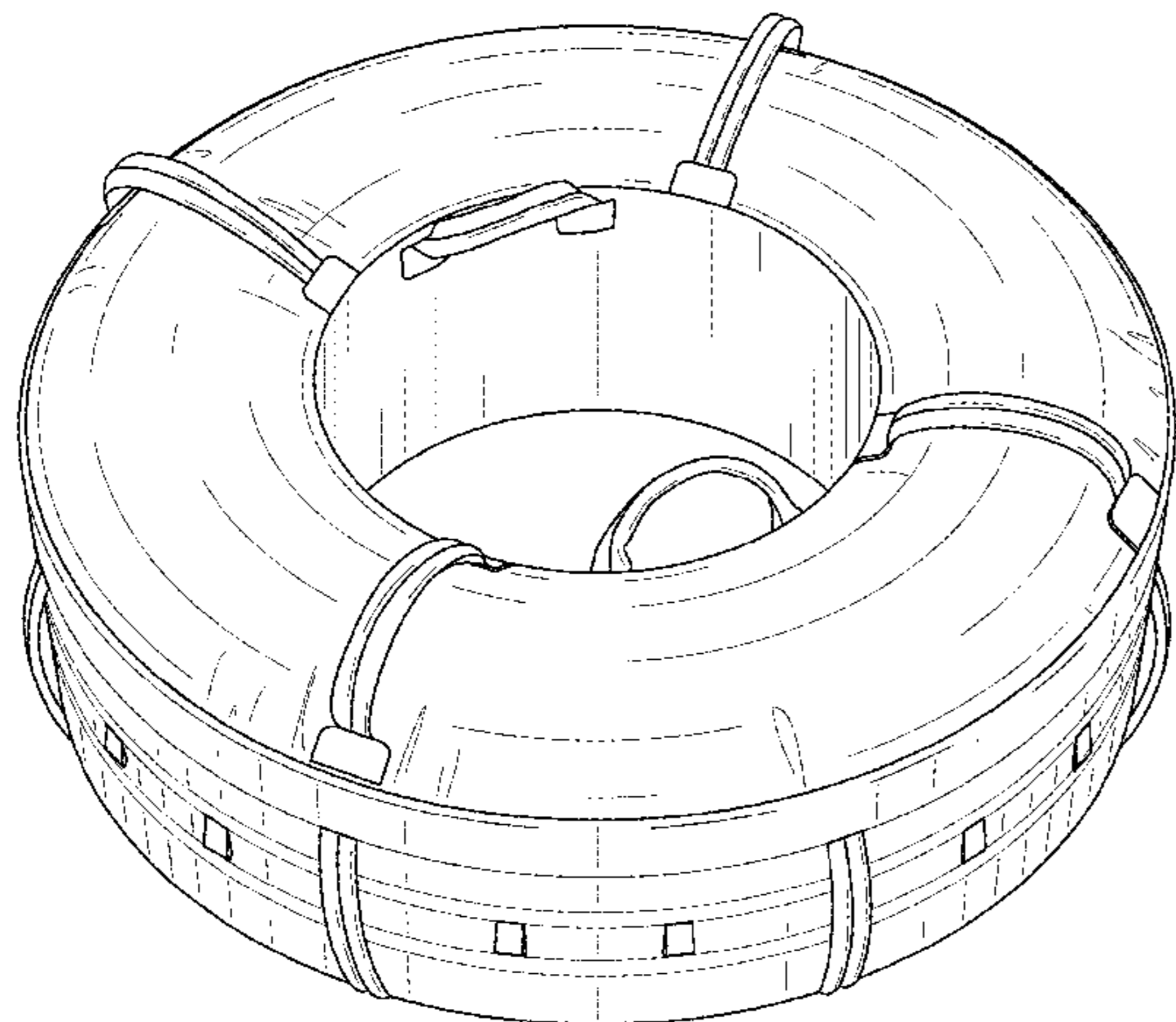
FIG. 12 is a back view of the exercise tire of FIG. 8;

FIG. 13 is a top view of the exercise tire of FIG. 8; and,

FIG. 14 is a bottom view of the exercise tire of FIG. 8.

The broken lines in the drawings depict unclaimed environmental subject matter and form no part of the claim.

**1 Claim, 8 Drawing Sheets**



(56)

**References Cited**

U.S. PATENT DOCUMENTS

D432,614 S \* 10/2000 Peterson ..... D12/316  
D476,712 S \* 7/2003 Peterson ..... D21/803  
6,648,707 B1 \* 11/2003 Peterson ..... B63B 7/085  
114/345  
D506,239 S \* 6/2005 Peterson ..... D21/803

D510,971 S \* 10/2005 Hunter ..... D21/770  
D514,392 S \* 2/2006 Bruns ..... D7/606  
D588,975 S \* 3/2009 Spater ..... D12/202  
D632,354 S \* 2/2011 Perry ..... D21/803  
D678,447 S \* 3/2013 Peterson ..... D21/803  
2015/0165258 A1 \* 6/2015 Januszek ..... A63B 21/06  
482/93

\* cited by examiner

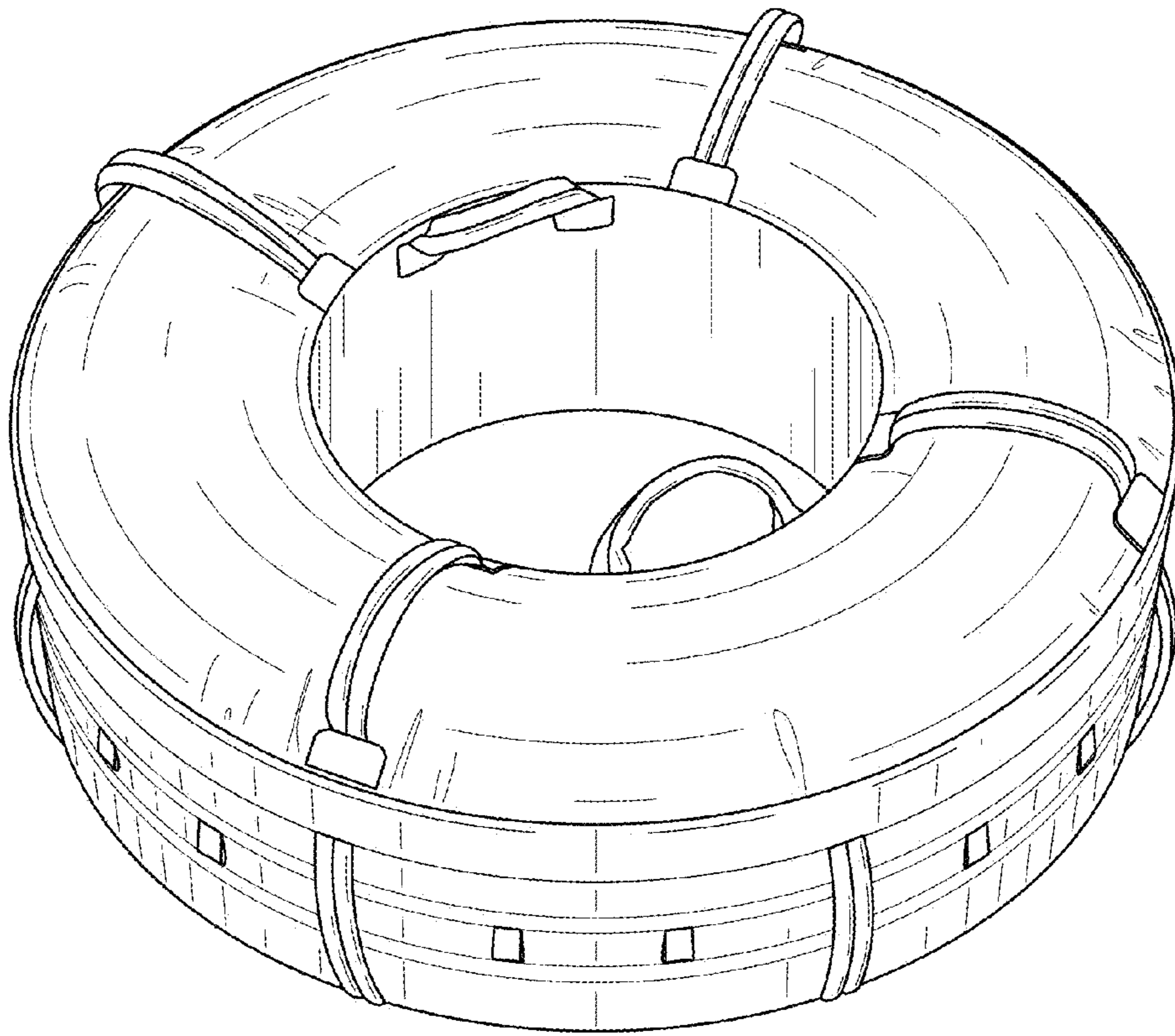


FIG. 1

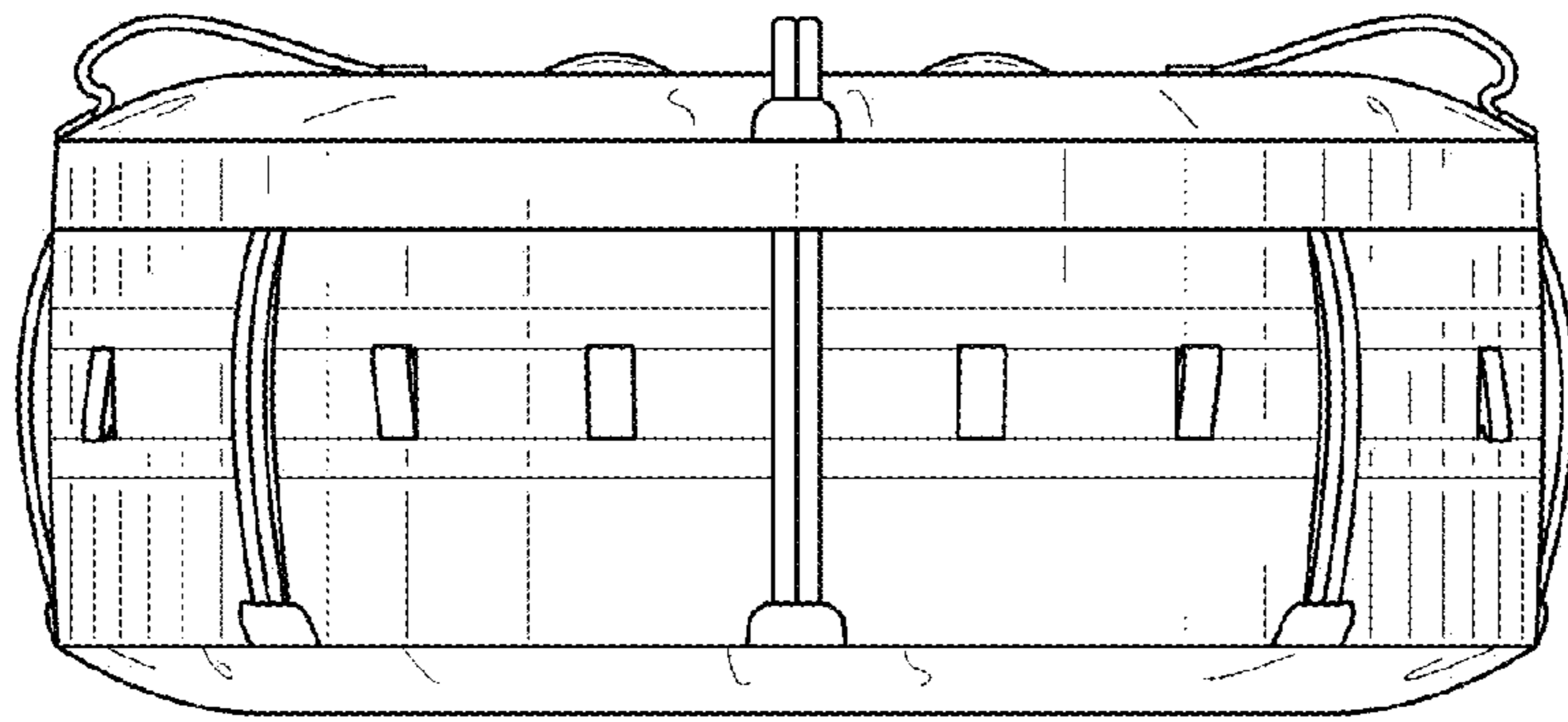


FIG. 2

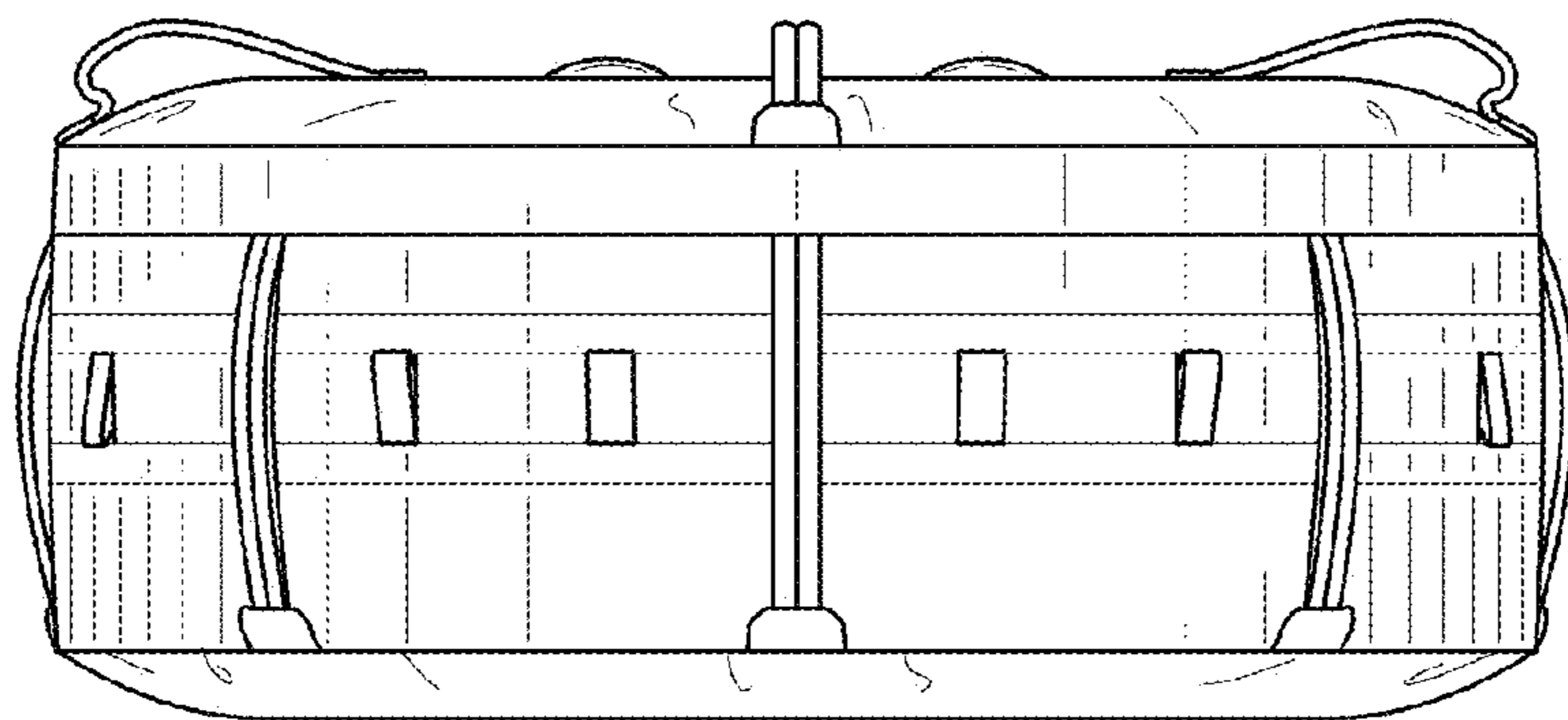


FIG. 3



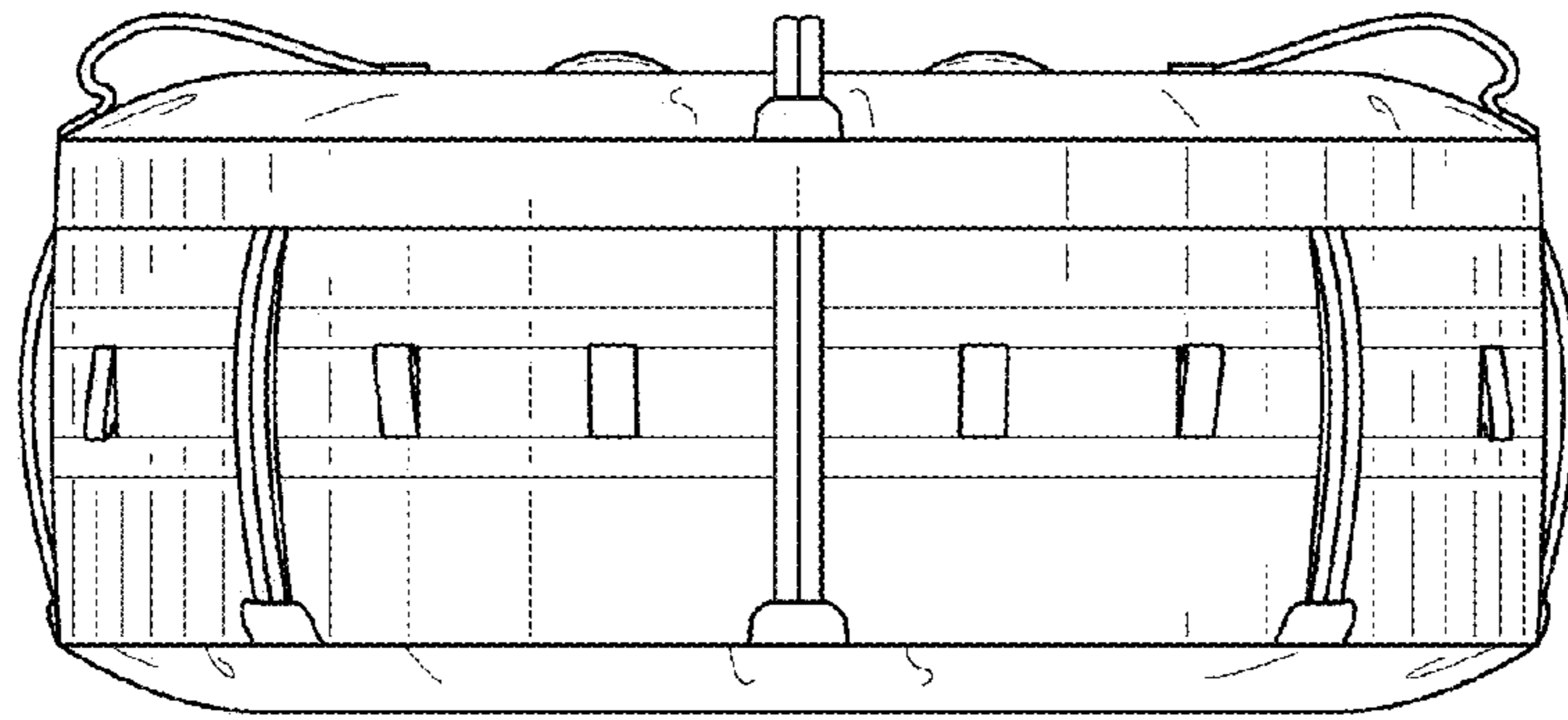


FIG. 4

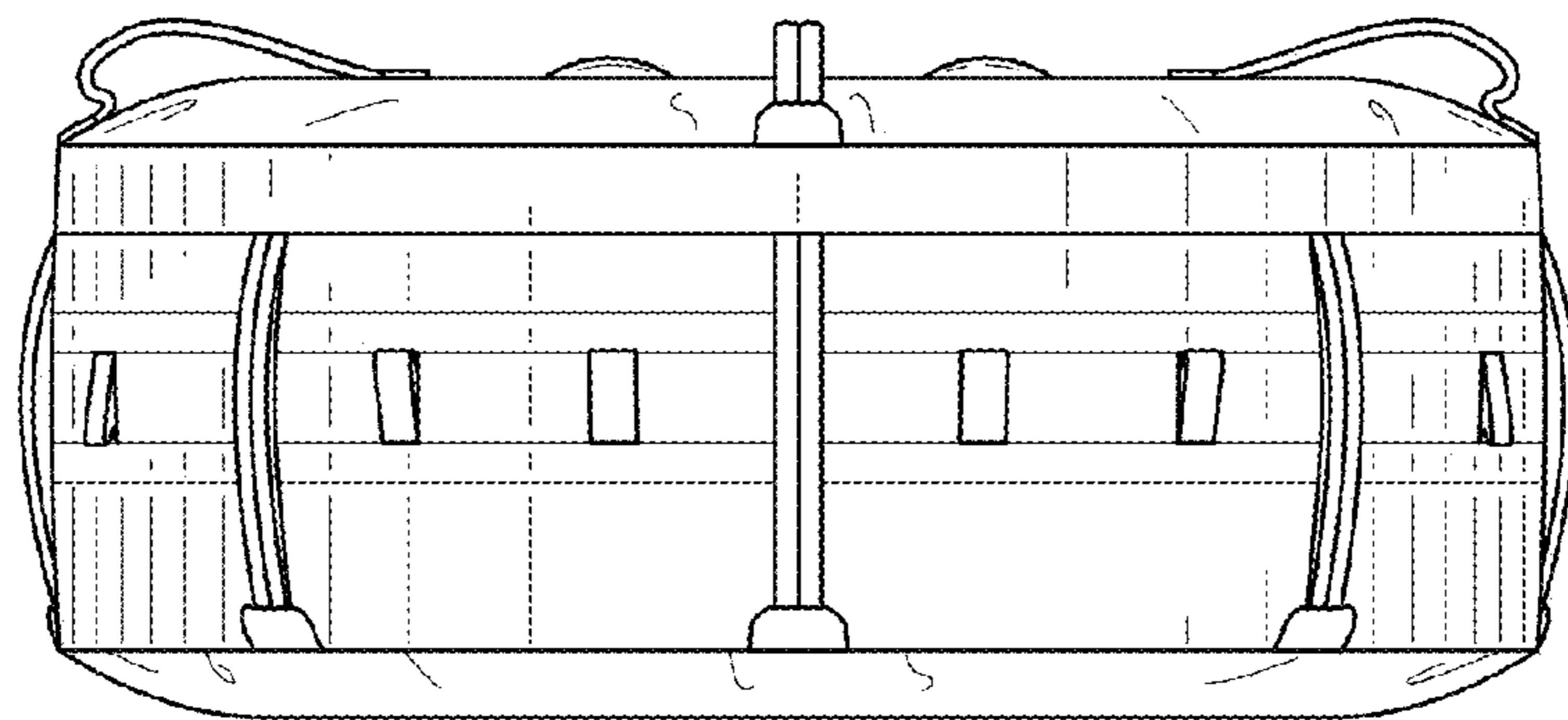


FIG. 5

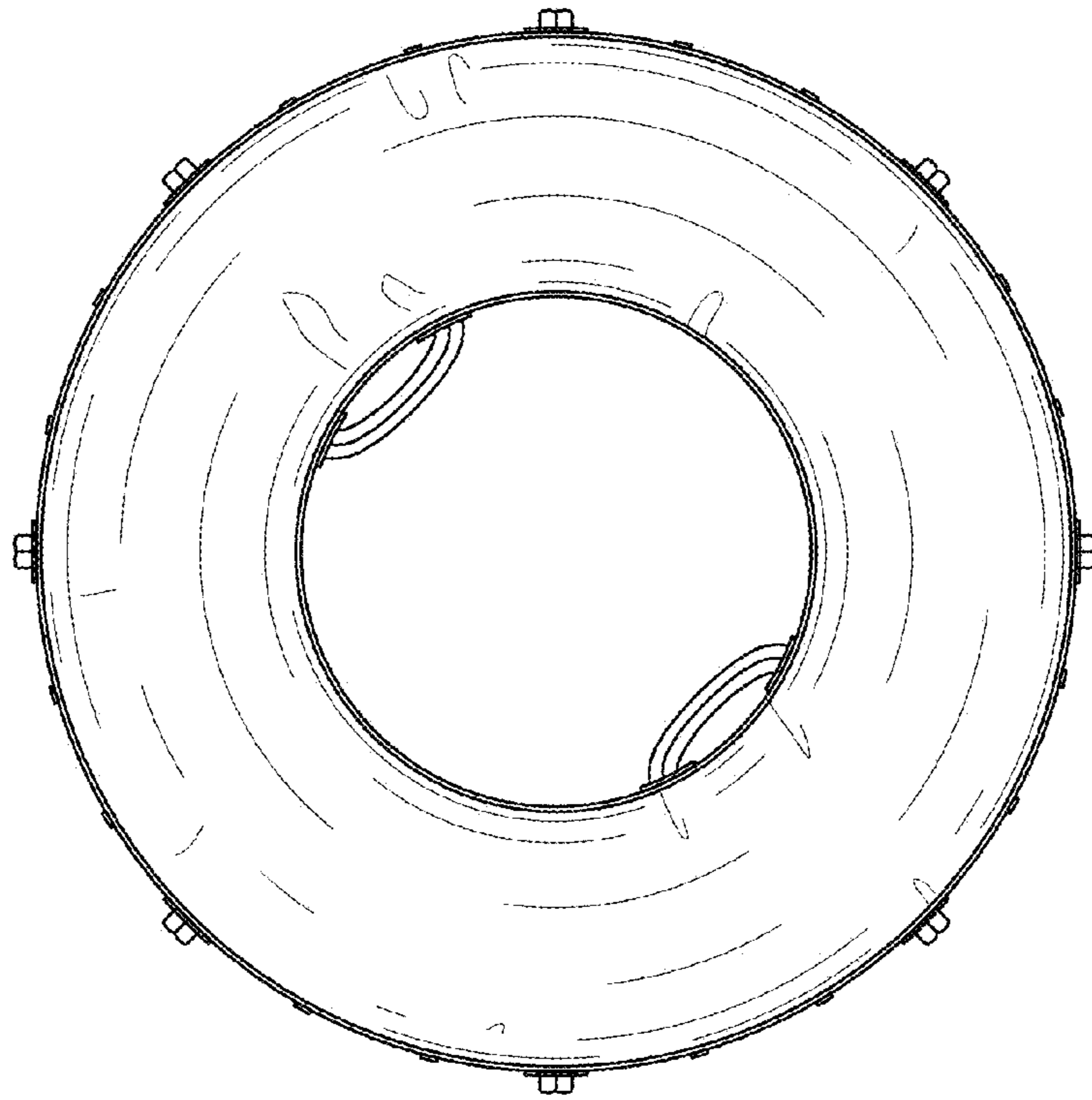


FIG. 7

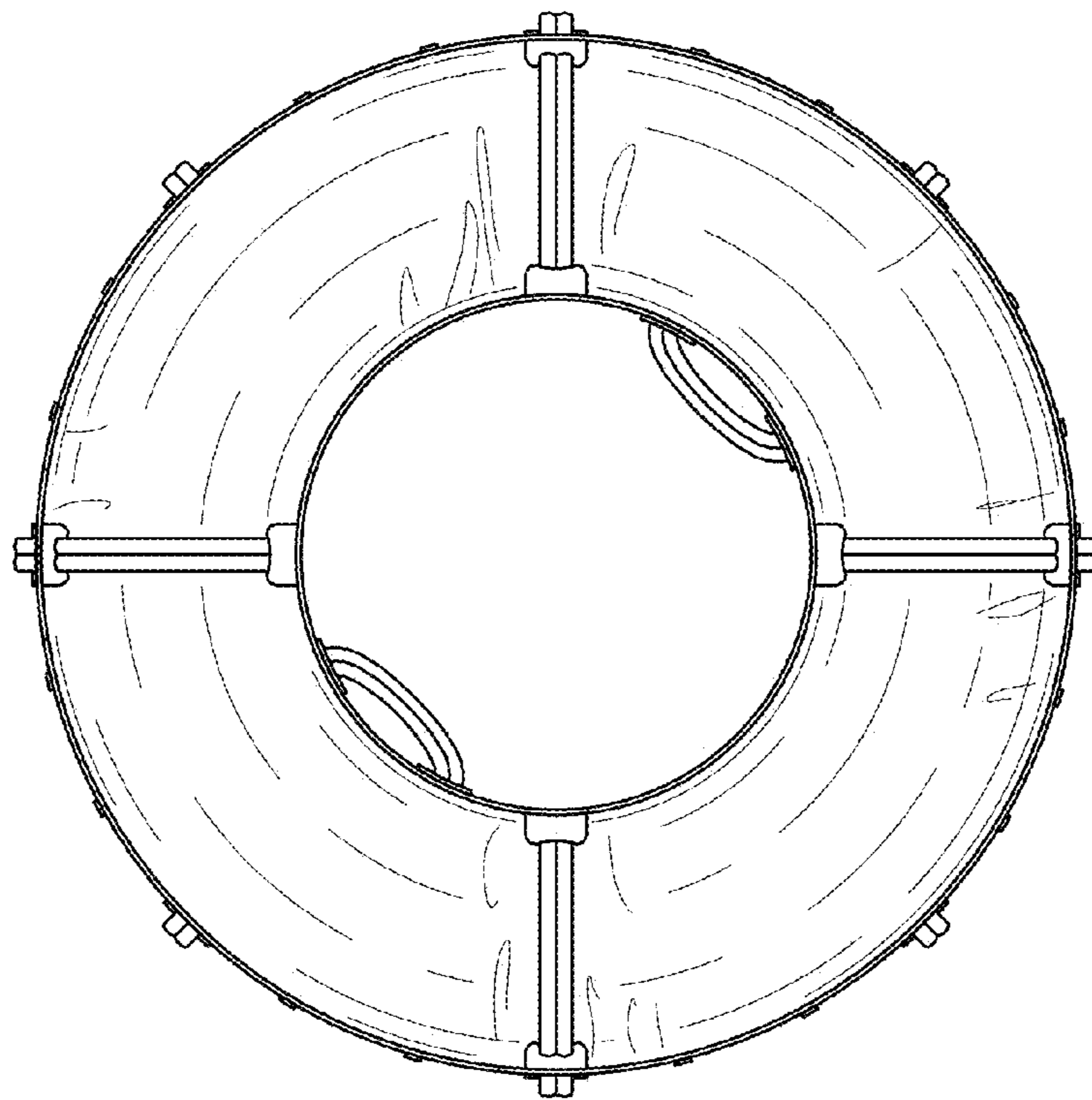


FIG. 6

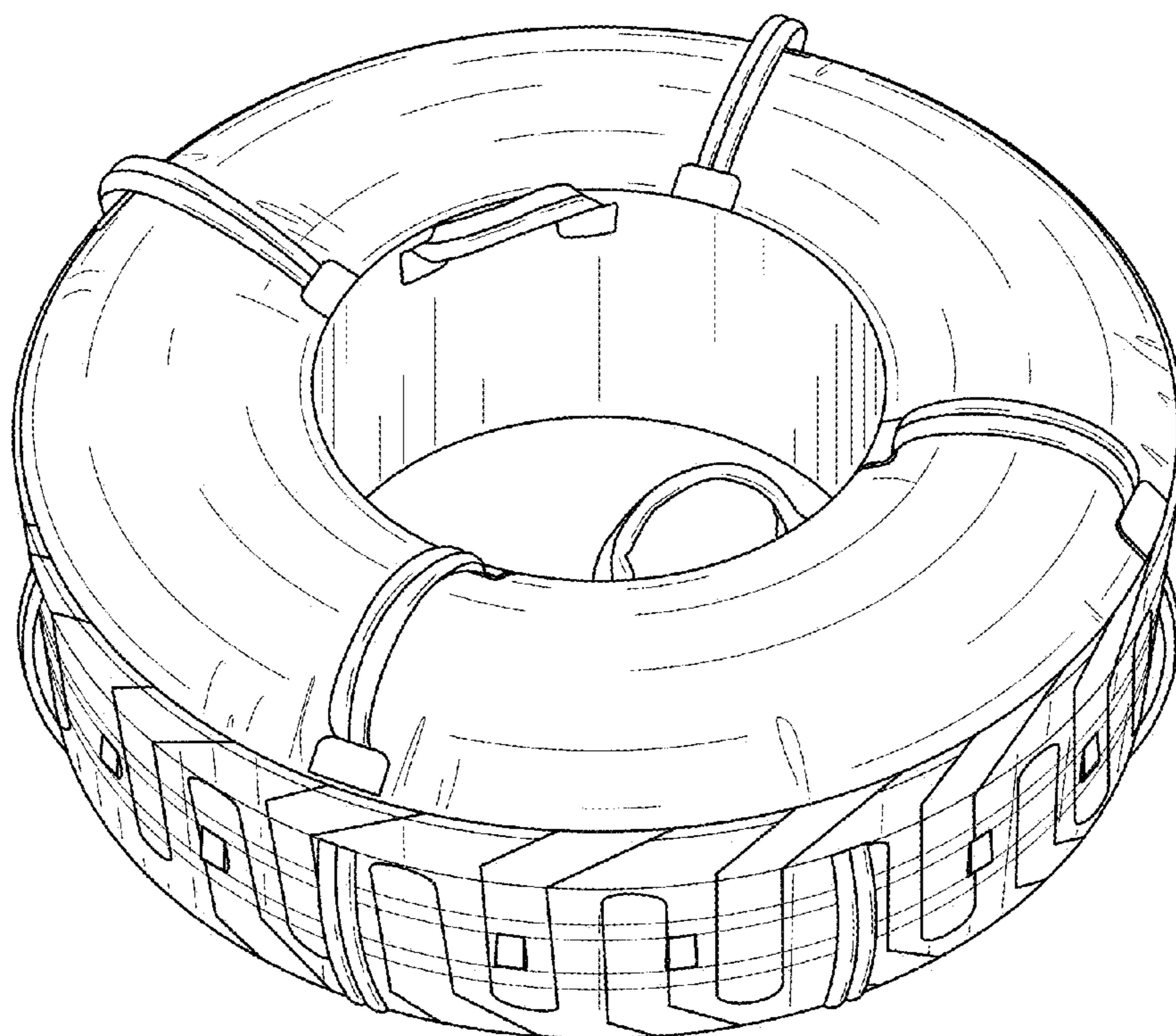


FIG. 8

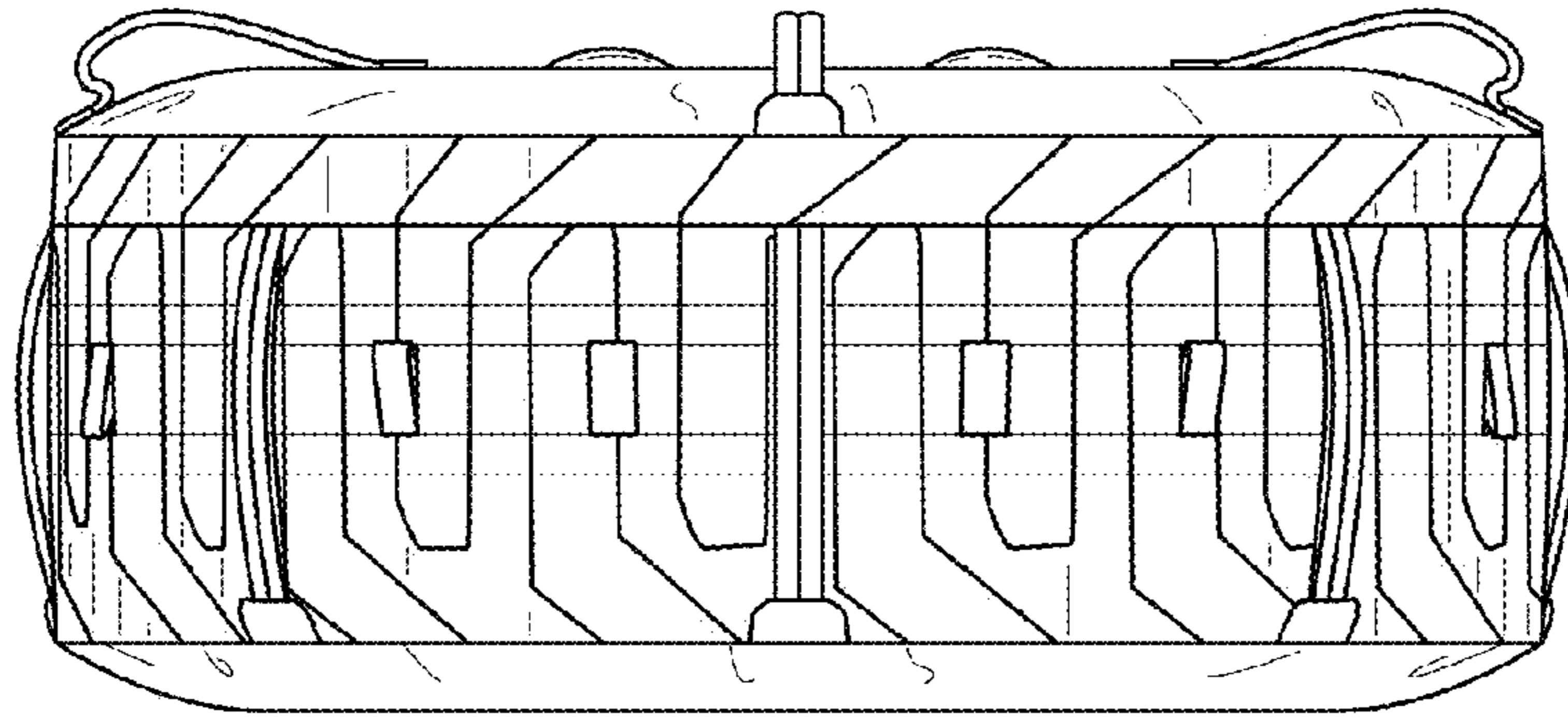


FIG. 9

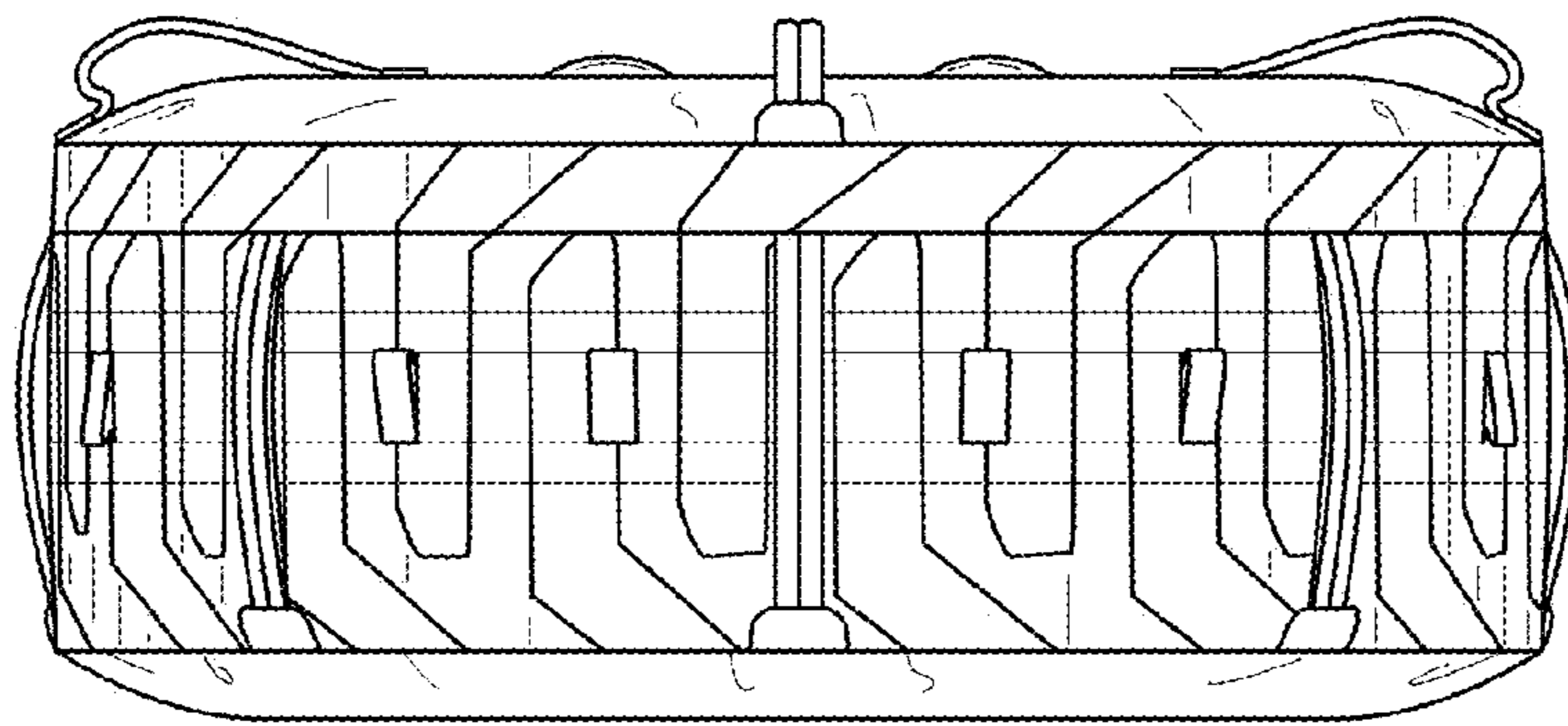


FIG. 10



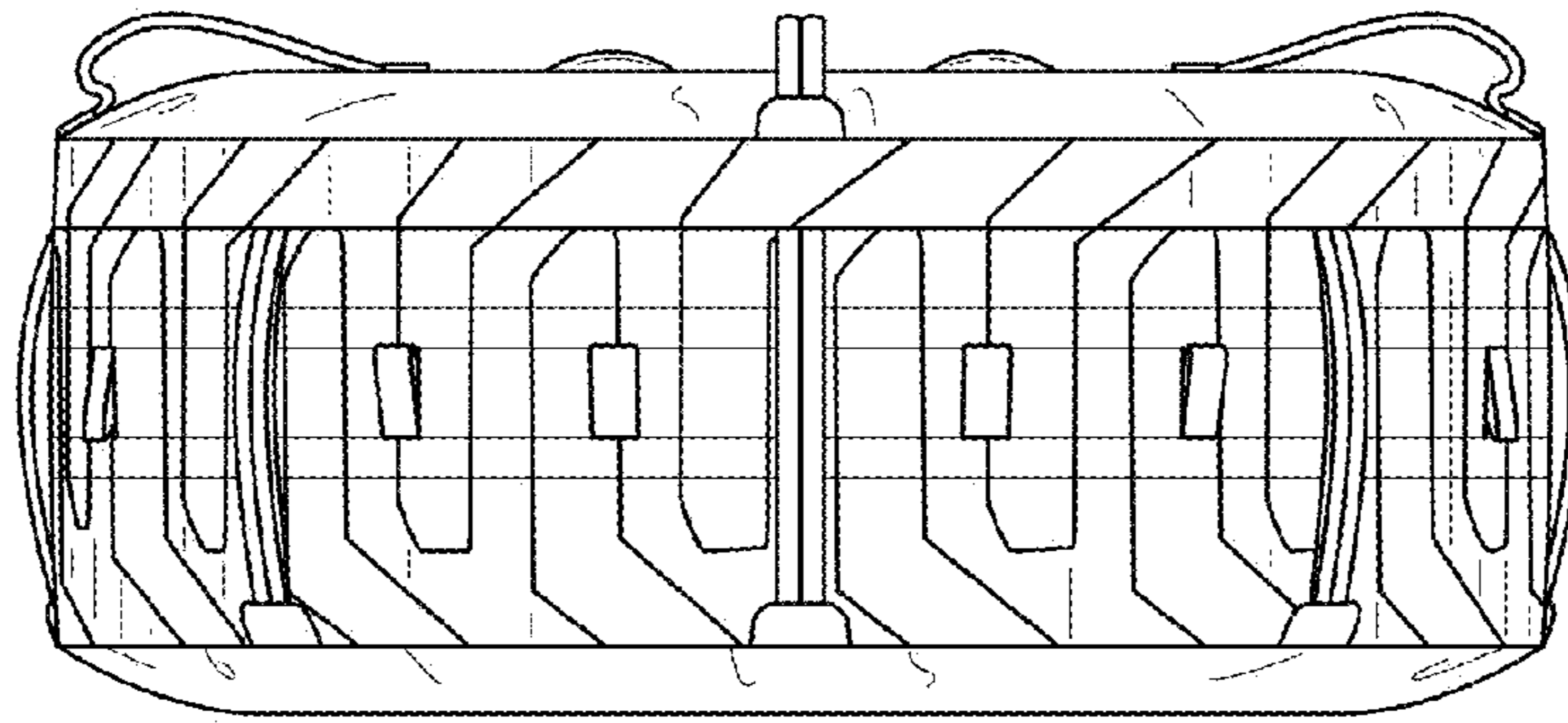


FIG. 11

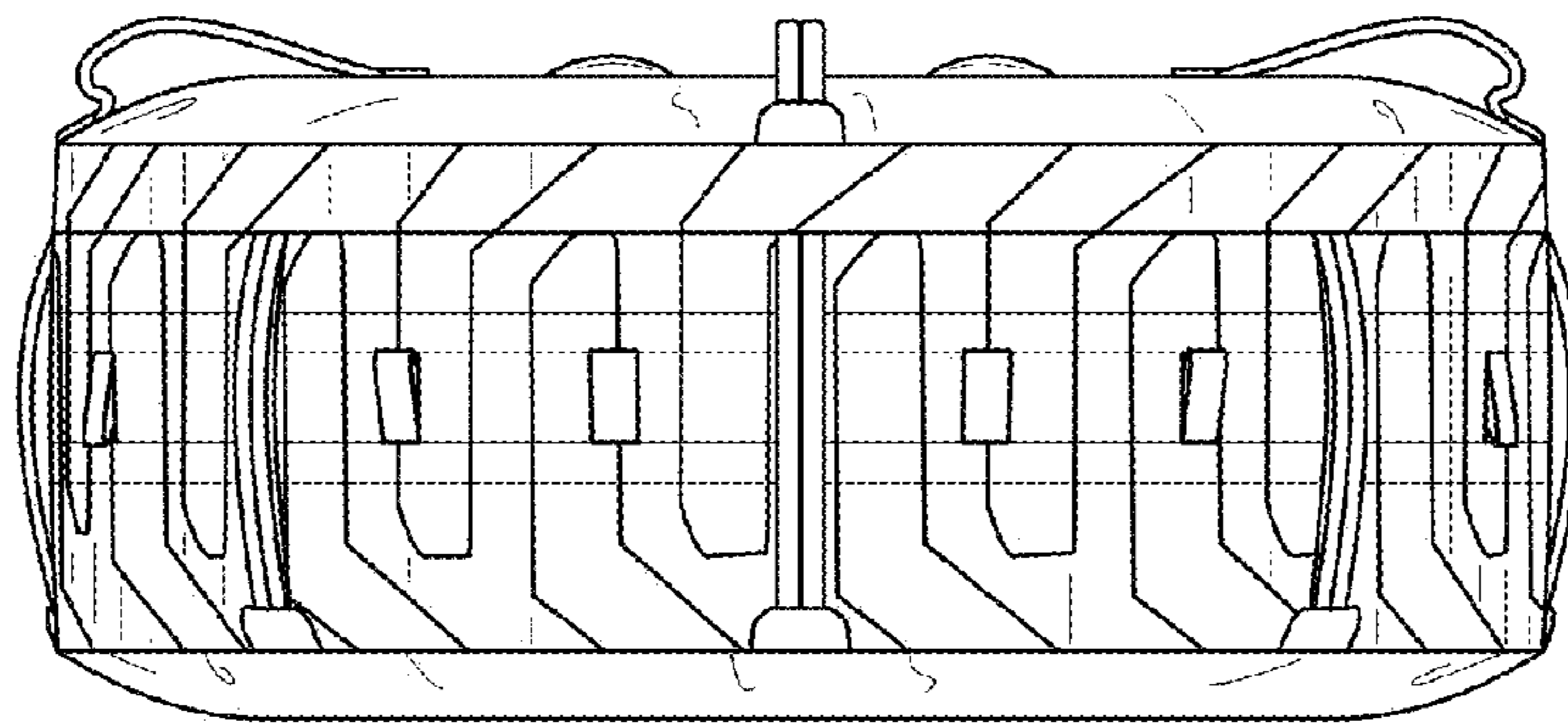


FIG. 12

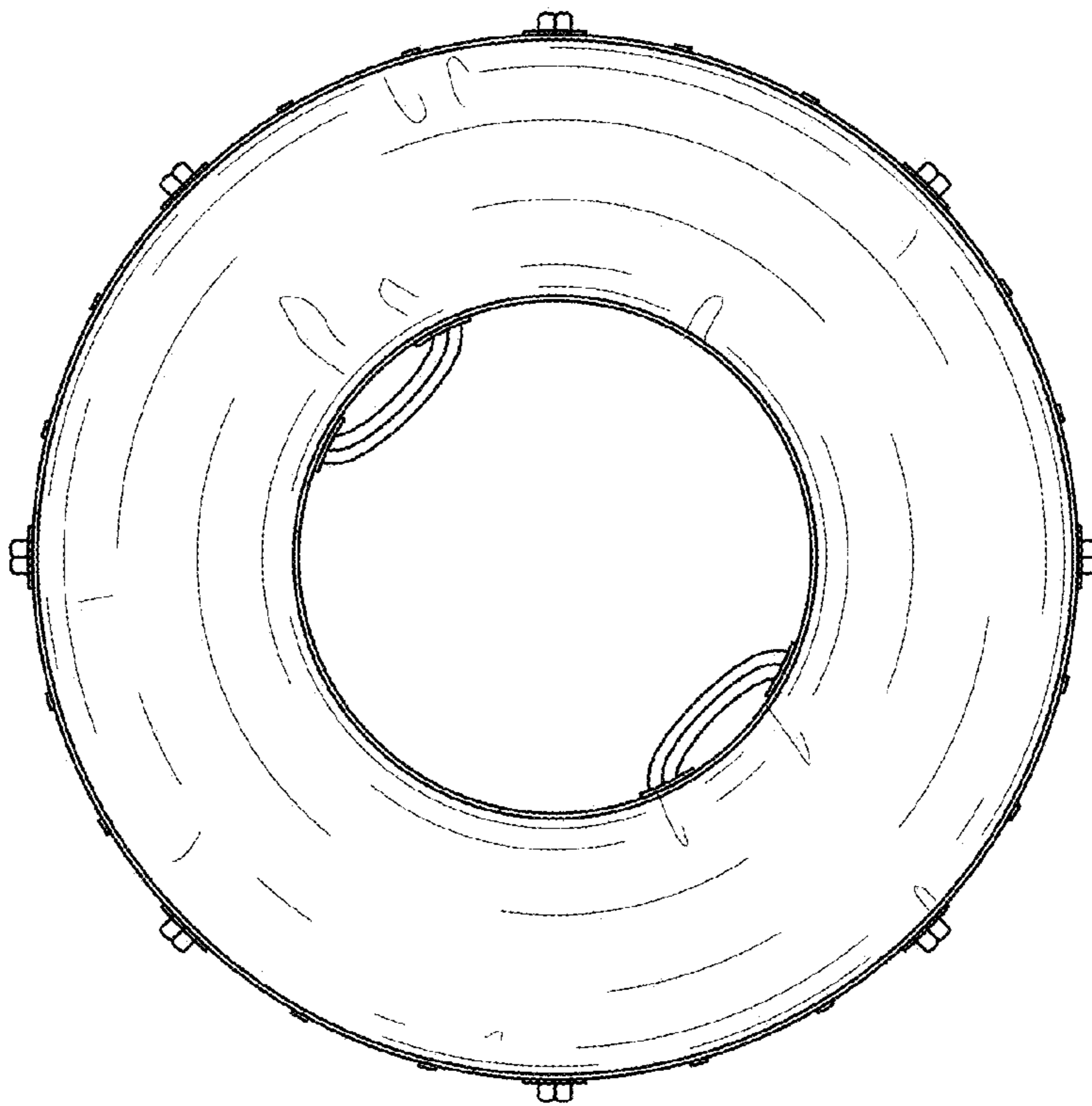


FIG. 14

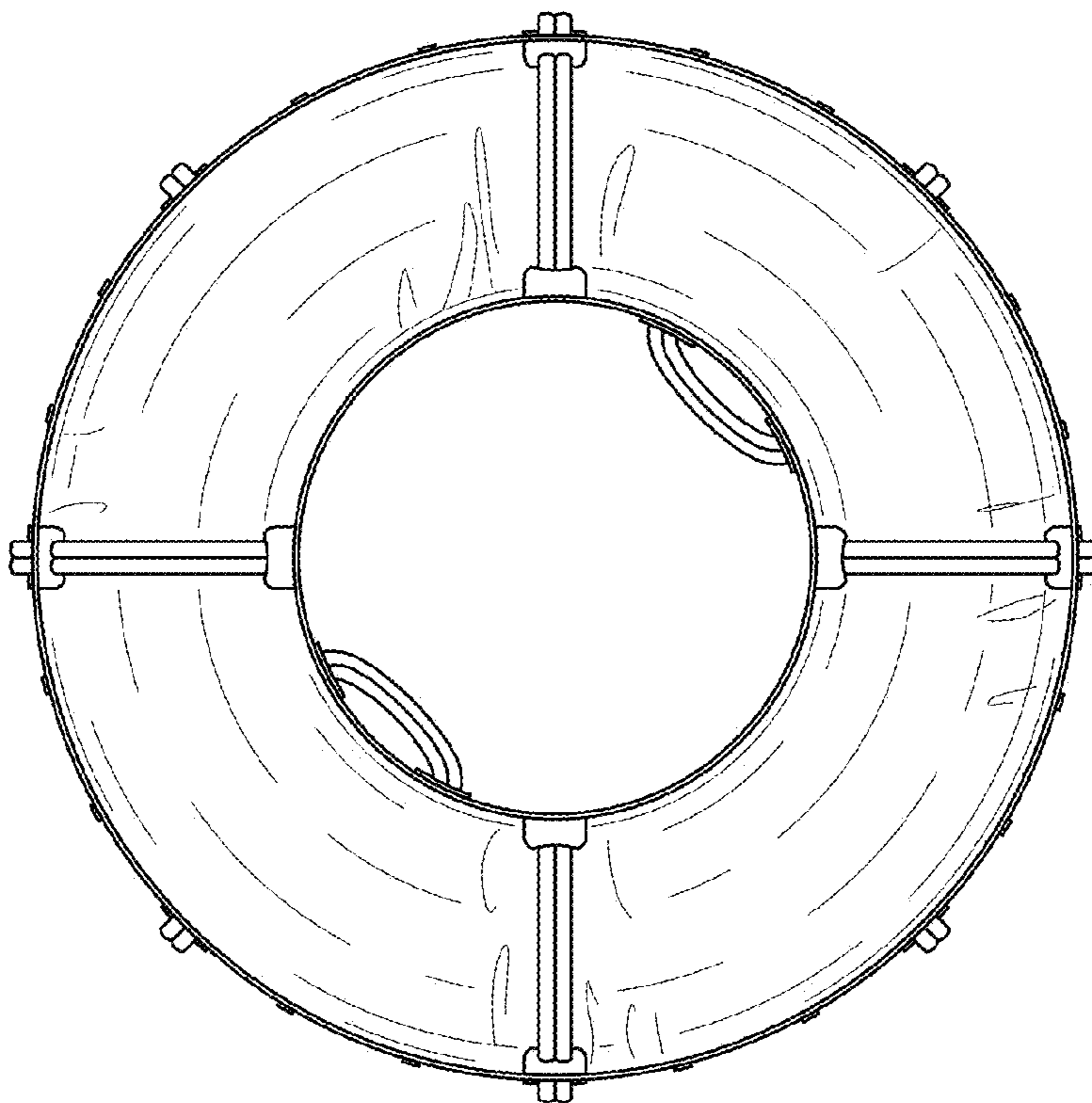


FIG. 13