



US00D751653S

(12) **United States Design Patent**  
**Champ**

(10) **Patent No.:** **US D751,653 S**  
(45) **Date of Patent:** **\*\* Mar. 15, 2016**

(54) **TOY TRAIN**

- (71) Applicant: **MerchSource, LLC**, Irvine, CA (US)
- (72) Inventor: **Jeff Champ**, Aliso Viejo, CA (US)
- (73) Assignee: **MerchSource, LLC**, Irvine, CA (US)
- (\*\*) Term: **14 Years**
- (21) Appl. No.: **29/509,841**
- (22) Filed: **Nov. 21, 2014**
- (51) **LOC (10) Cl.** ..... **21-01**
- (52) **U.S. Cl.**  
USPC ..... **D21/541**
- (58) **Field of Classification Search**  
USPC ..... D21/540, 541  
CPC ..... A63H 21/00; A63H 21/04; A63H 19/00;  
A63H 19/02; A63H 19/04; A63H 19/10;  
A63H 19/16; A63H 19/18; Y10S 104/01  
See application file for complete search history.

(56) **References Cited**

**U.S. PATENT DOCUMENTS**

- 1,974,326 A \* 9/1934 Boieselier ..... 105/1.5
- 1,974,330 A \* 9/1934 Groff ..... 446/465

(Continued)

**OTHER PUBLICATIONS**

[http://www.amazon.com/Tomica-City-Express-Playset-70572/dp/B004BISCF2/ref=sr\\_1\\_49?ie=UTF8&qid=1354645490&sr=8-49&keywords=Tomy+train+sets;](http://www.amazon.com/Tomica-City-Express-Playset-70572/dp/B004BISCF2/ref=sr_1_49?ie=UTF8&qid=1354645490&sr=8-49&keywords=Tomy+train+sets;) (undated).

*Primary Examiner* — Cynthia M Chin  
(74) *Attorney, Agent, or Firm* — Avyno Law P.C.

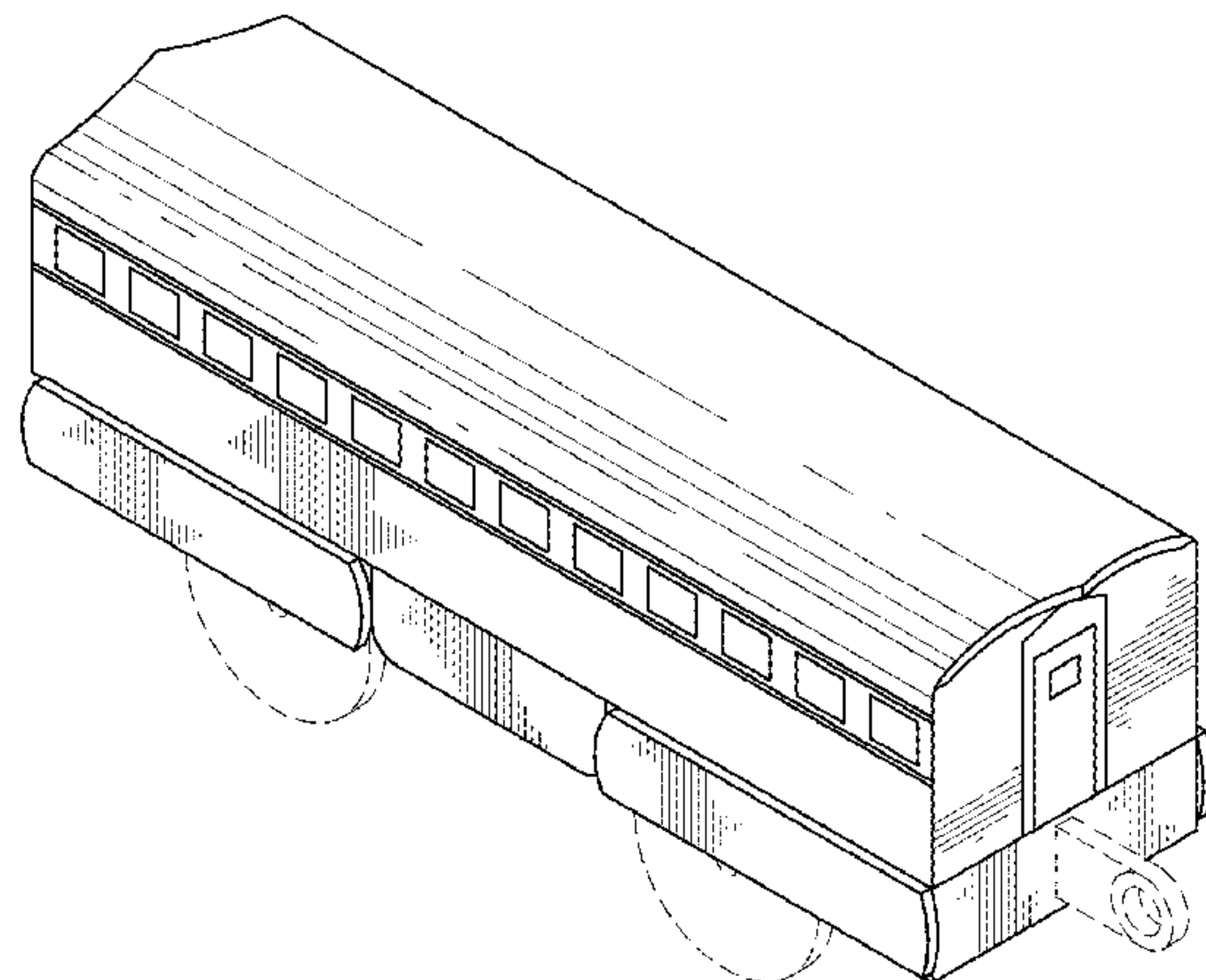
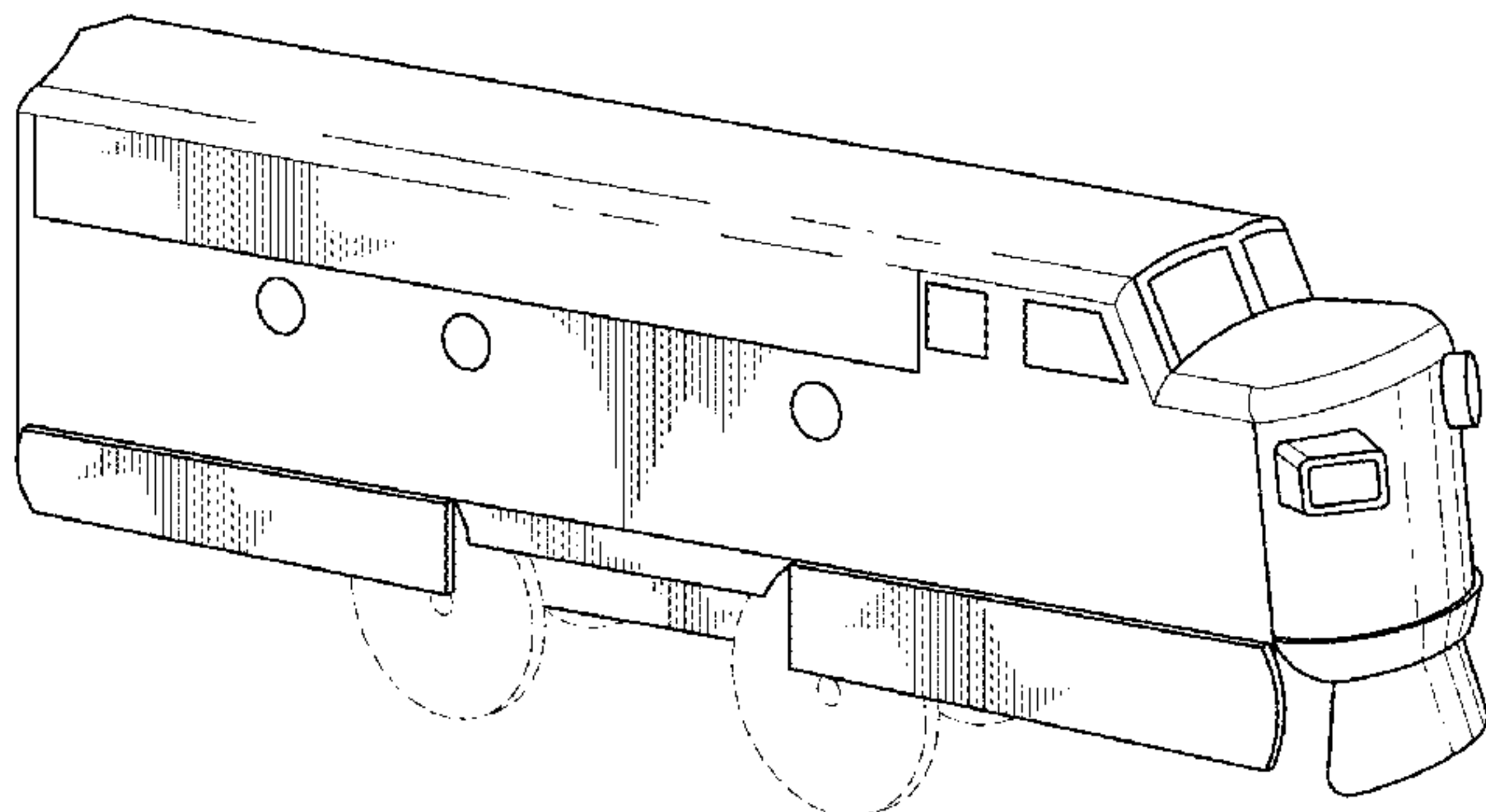
(57) **CLAIM**

I claim the ornamental design for a toy train, as shown and described.

**DESCRIPTION**

FIG. 1 is a right side view of a toy train, having an engine, passenger car and caboose.  
 FIG. 2 is a front perspective view of the engine of the toy train of FIG. 1.  
 FIG. 3 is a rear view of the engine of the toy train of FIG. 2.  
 FIG. 4 is a front view of the engine of the toy train of FIG. 2.  
 FIG. 5 is a top view of the engine of the toy train of FIG. 2.  
 FIG. 6 is a side view of the right side of the engine of the toy train of FIG. 2.  
 FIG. 7 is a side view of the left side of the engine of the toy train of FIG. 2.  
 FIG. 8 is a front perspective view of the passenger car of the toy train of FIG. 1.  
 FIG. 9 is a rear view of the passenger car of the toy train of FIG. 8.  
 FIG. 10 is a front view of the passenger car of the toy train of FIG. 8.  
 FIG. 11 is a top view of the passenger car of the toy train of FIG. 8.  
 FIG. 12 is a side view of the right side of the passenger car of the toy train of FIG. 8.  
 FIG. 13 is a side view of the left side of the passenger car of the toy train of FIG. 8.  
 FIG. 14 is a front perspective view of the caboose of the toy train of FIG. 1.  
 FIG. 15 is a rear view of the caboose of the toy train of FIG. 14.  
 FIG. 16 is a front view of the caboose of the toy train of FIG. 14.  
 FIG. 17 is a top view of the caboose of the toy train of FIG. 14.  
 FIG. 18 is a side view of the right side of the caboose of the toy train of FIG. 14; and,  
 FIG. 19 is a side view of the left side of the caboose of the toy train of FIG. 14.  
 The broken lines shown are included for the purpose of illustrating the unclaimed portions of the article and form no part of the claimed design.  
 Cars of the toy train are shown separately for ease and clarity of illustration in FIGS. 2-19.

**1 Claim, 7 Drawing Sheets**



(56)

**References Cited**

U.S. PATENT DOCUMENTS

1,974,331 A *	9/1934	Groff	446/423	4,100,696 A	7/1978	Ogasawara	
D138,113 S *	6/1944	Baron	D21/541	4,135,328 A	1/1979	Yamasaki	
2,461,088 A *	2/1949	Shortt	213/75 TC	4,511,343 A	4/1985	Goldfarb et al.	
2,960,336 A *	11/1960	Guensch	273/145 R	4,573,943 A	3/1986	Kennedy et al.	
3,589,064 A	6/1971	Harada		5,427,561 A *	6/1995	Eichhorn et al.	446/463
3,590,522 A	7/1971	Hamano		6,206,751 B1	3/2001	Lee	
3,818,632 A	6/1974	Tong		6,364,736 B1	4/2002	Lee	
D236,523 S *	8/1975	Reiling	D21/541	D484,195 S *	12/2003	Shippy	D21/540
				D647,575 S	10/2011	Inoue	
				2005/0112985 A1 *	5/2005	Ciccarelli et al.	446/80

\* cited by examiner

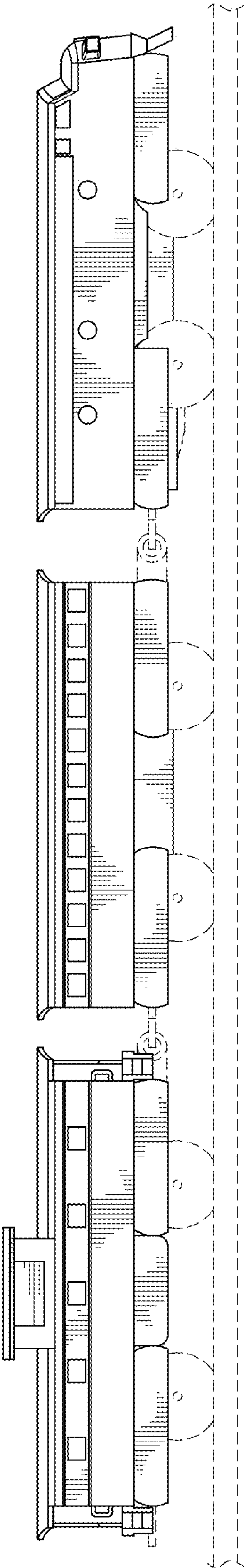
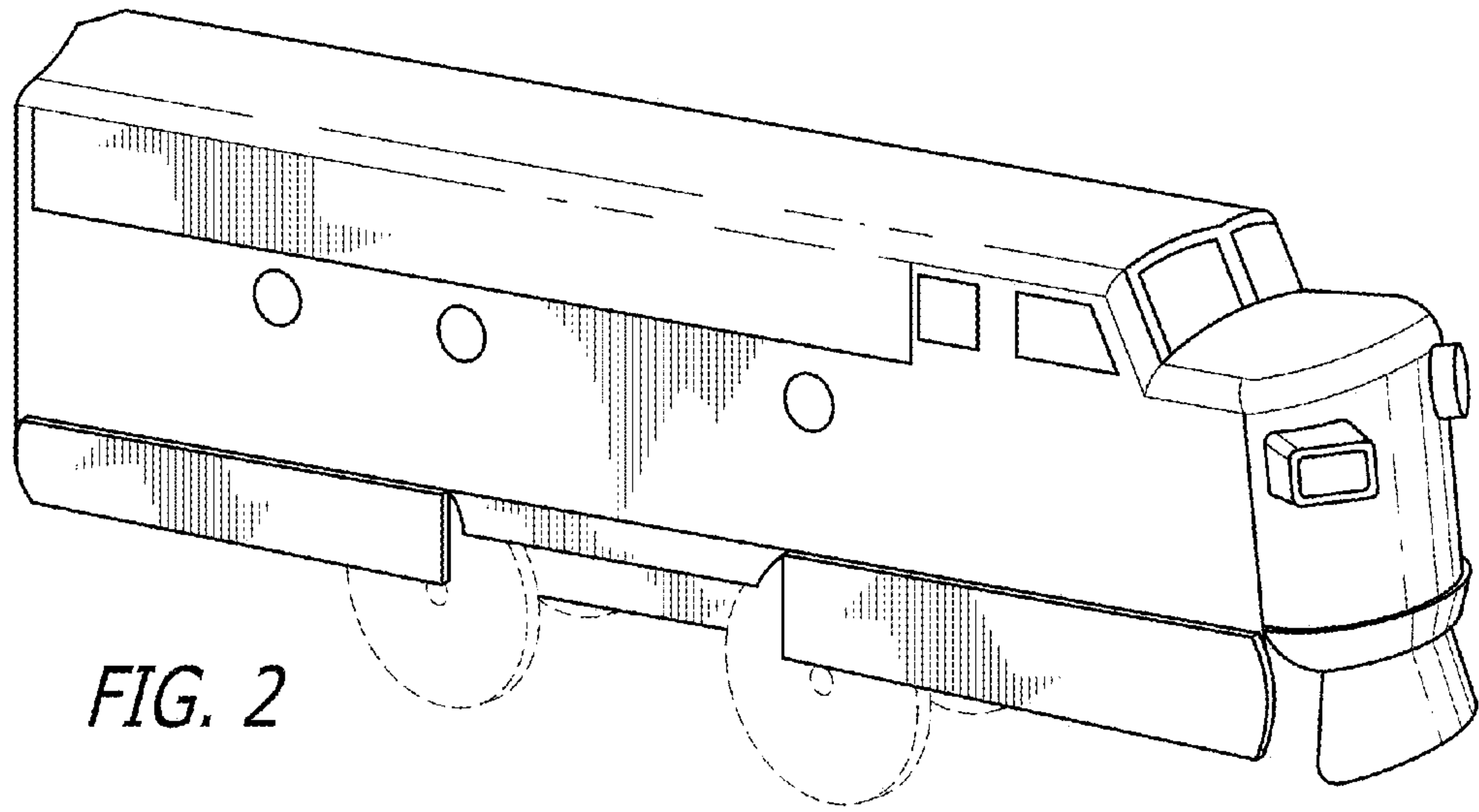
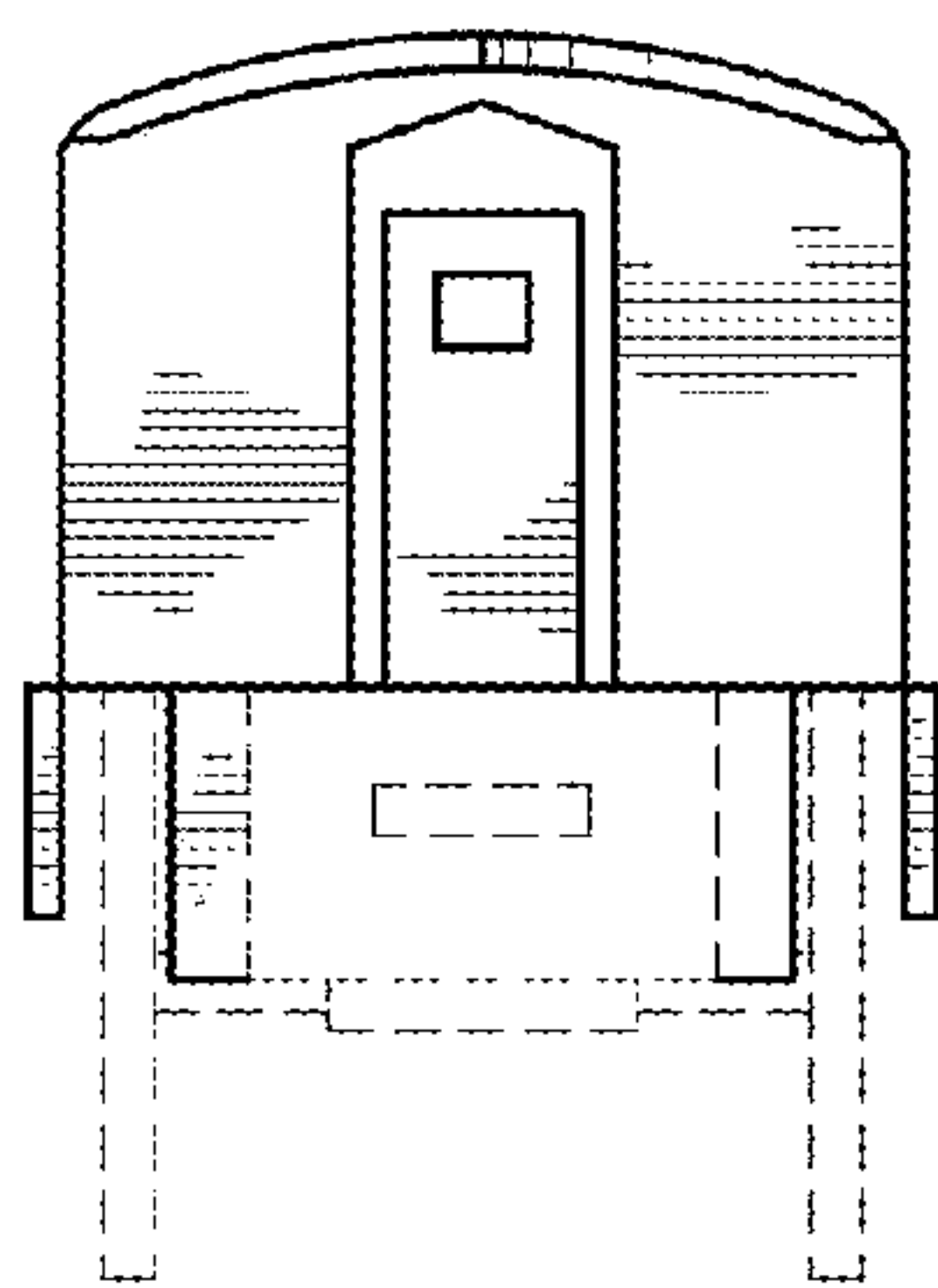


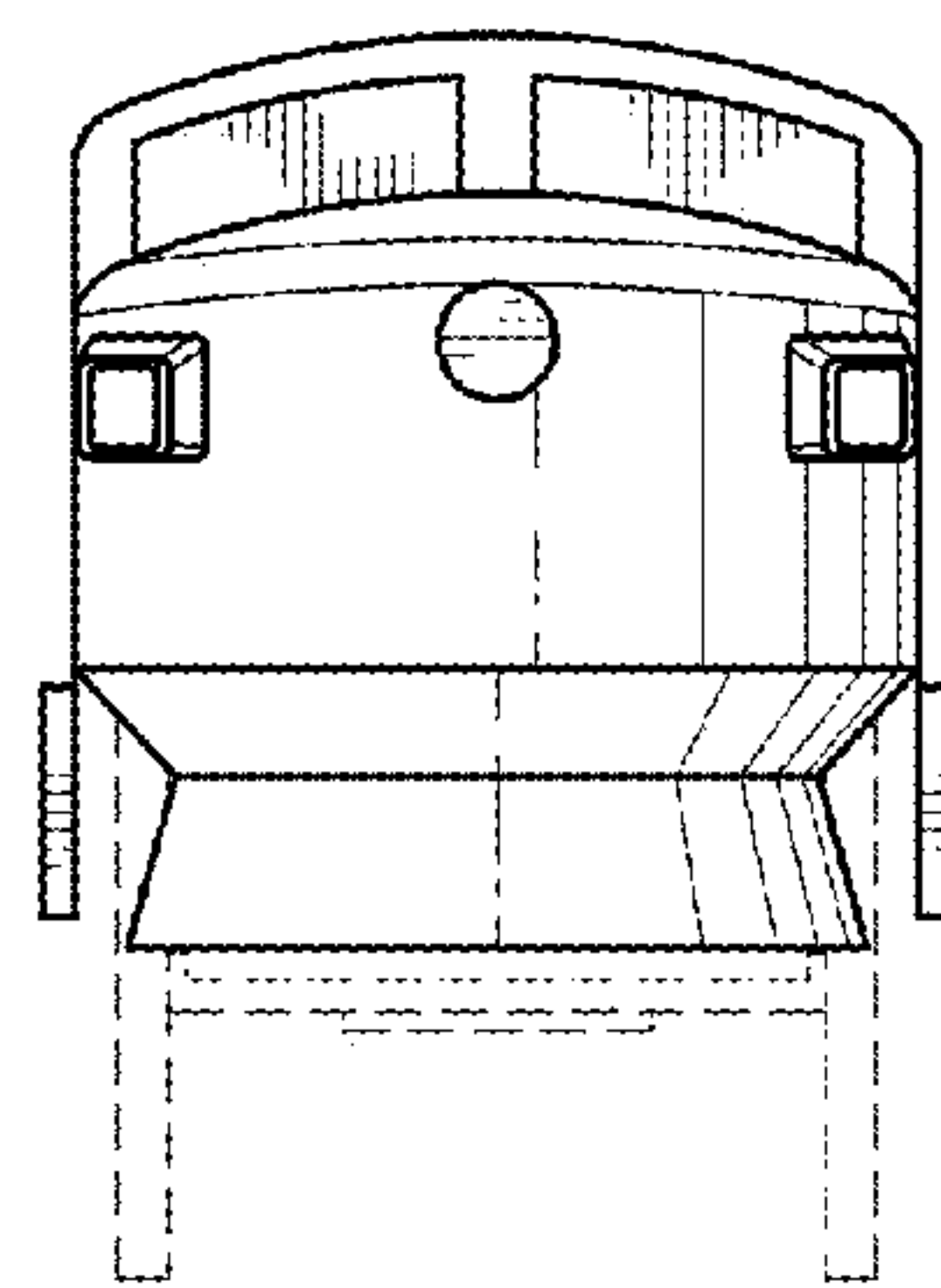
FIG. 1



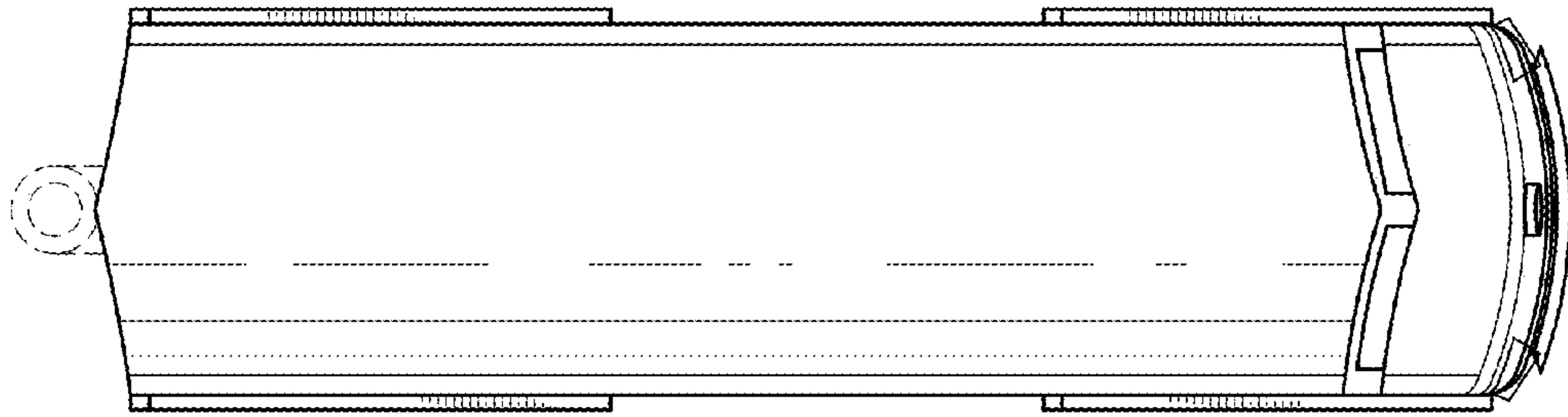
*FIG. 2*



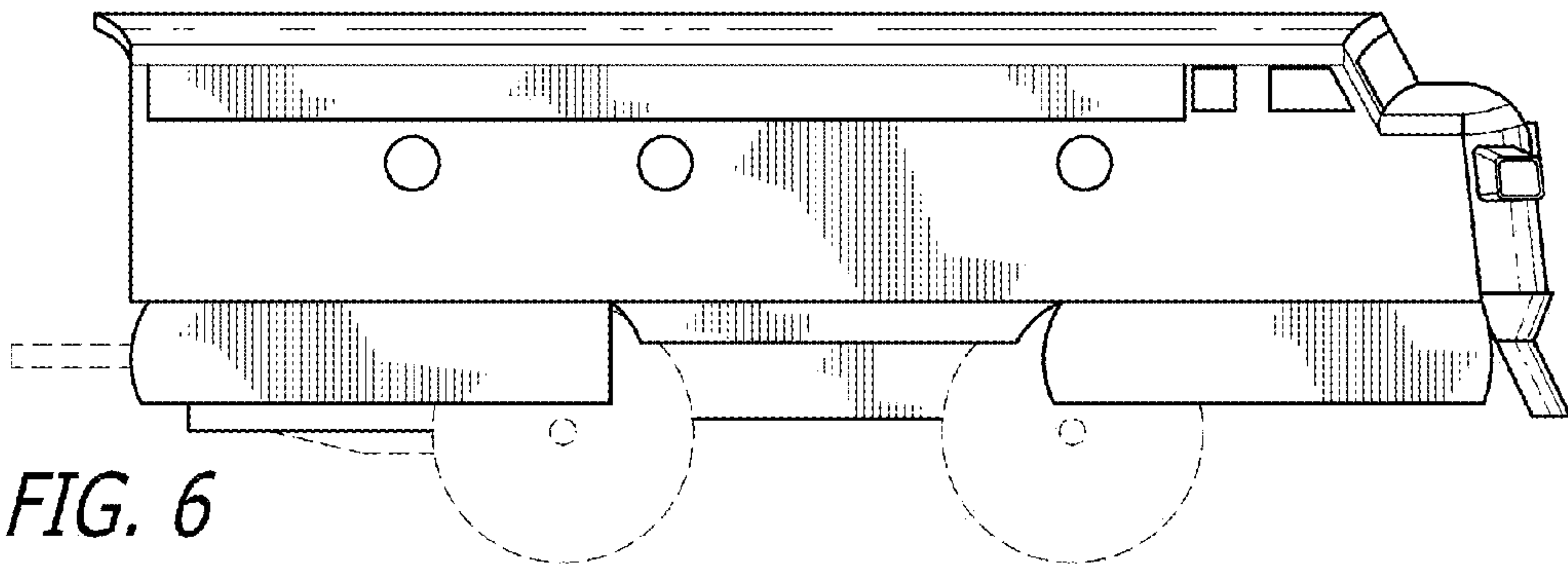
*FIG. 3*



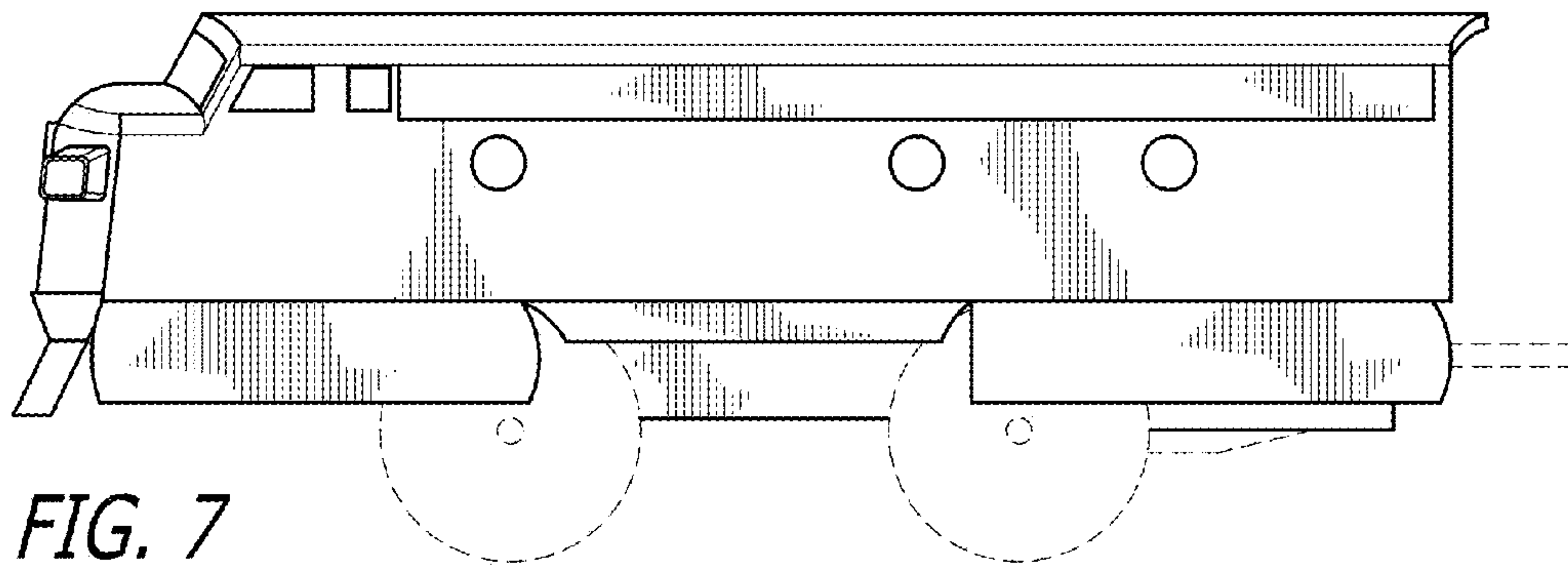
*FIG. 4*



*FIG. 5*

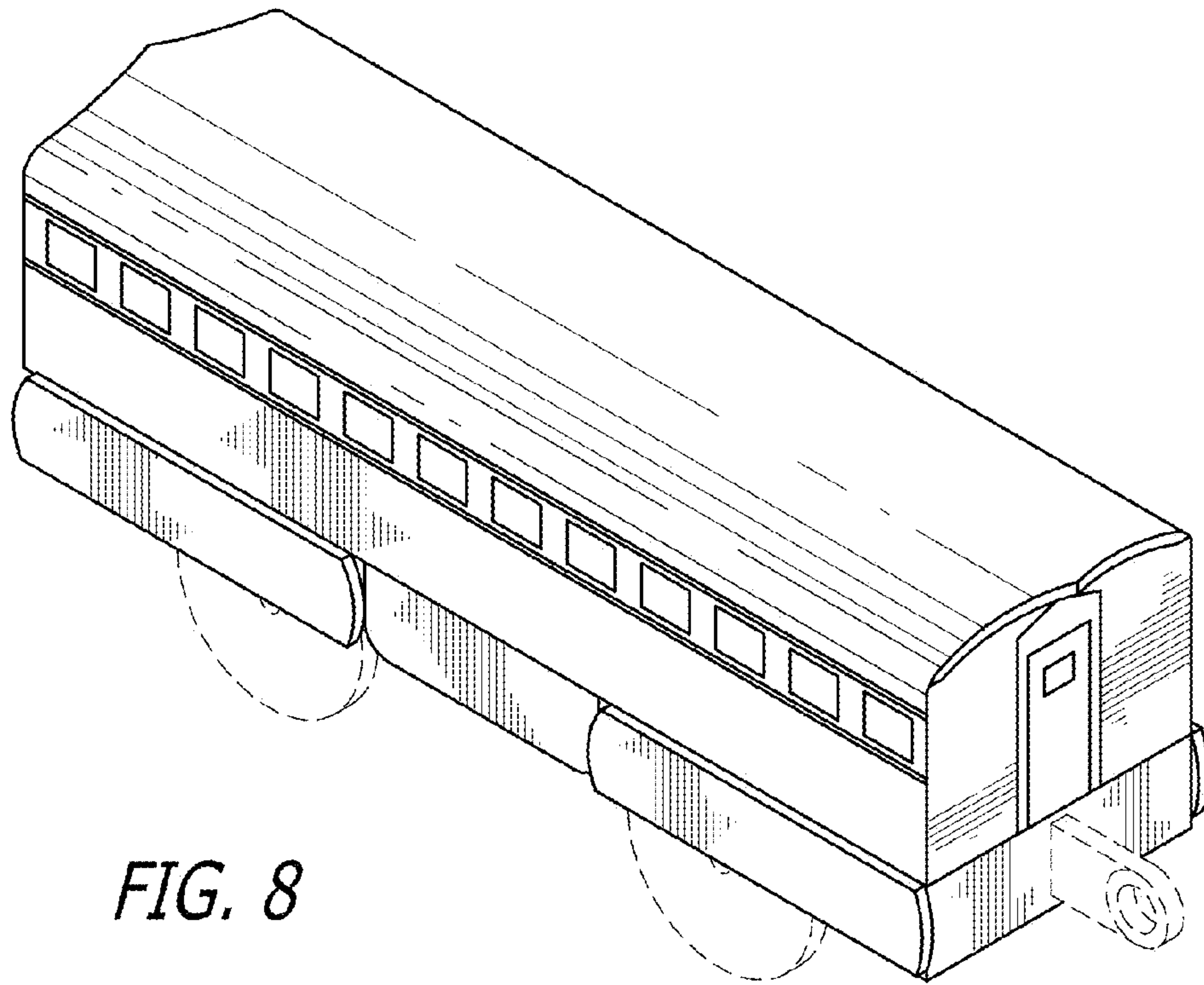


*FIG. 6*

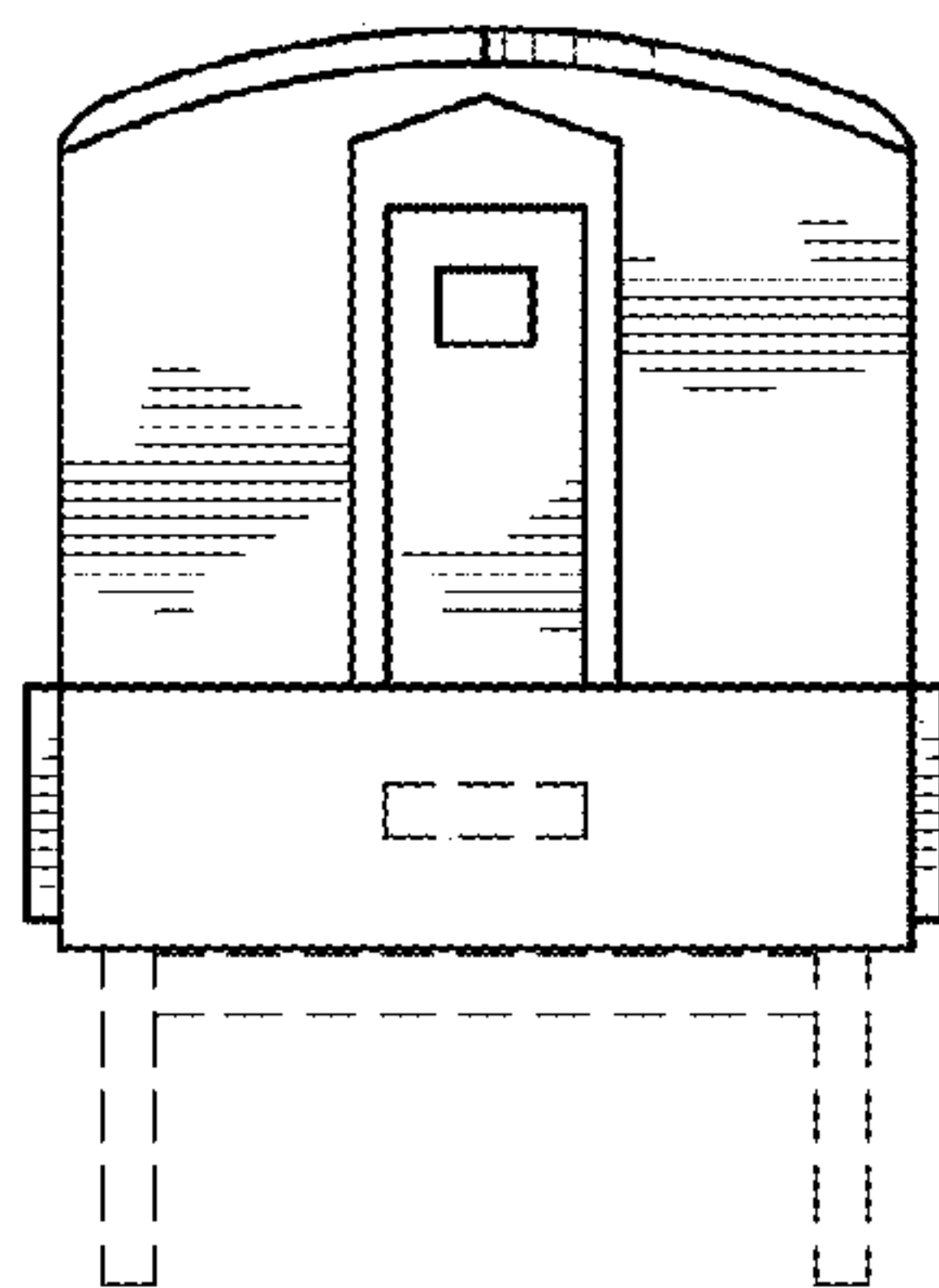


*FIG. 7*

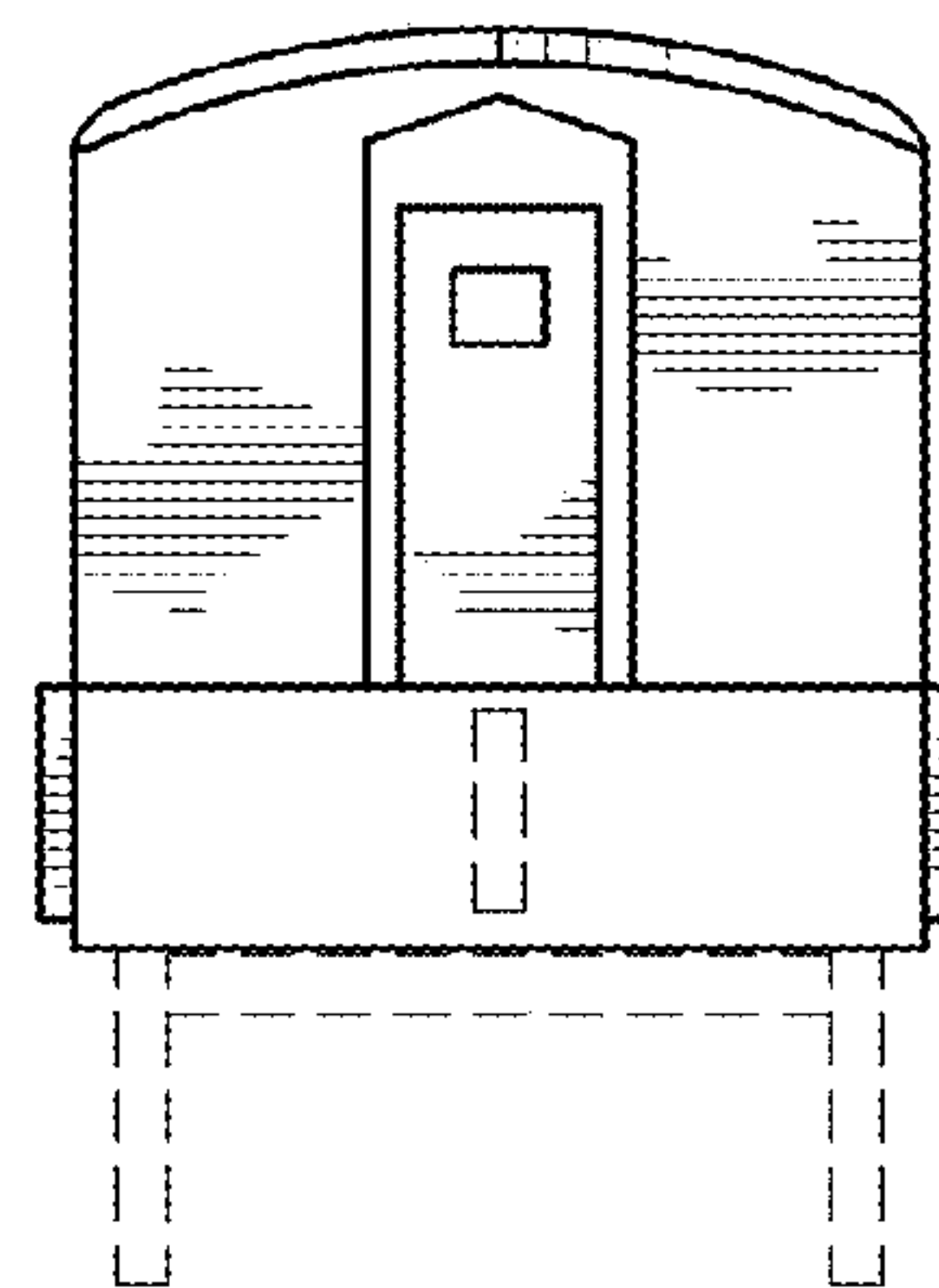




*FIG. 8*



*FIG. 9*



*FIG. 10*

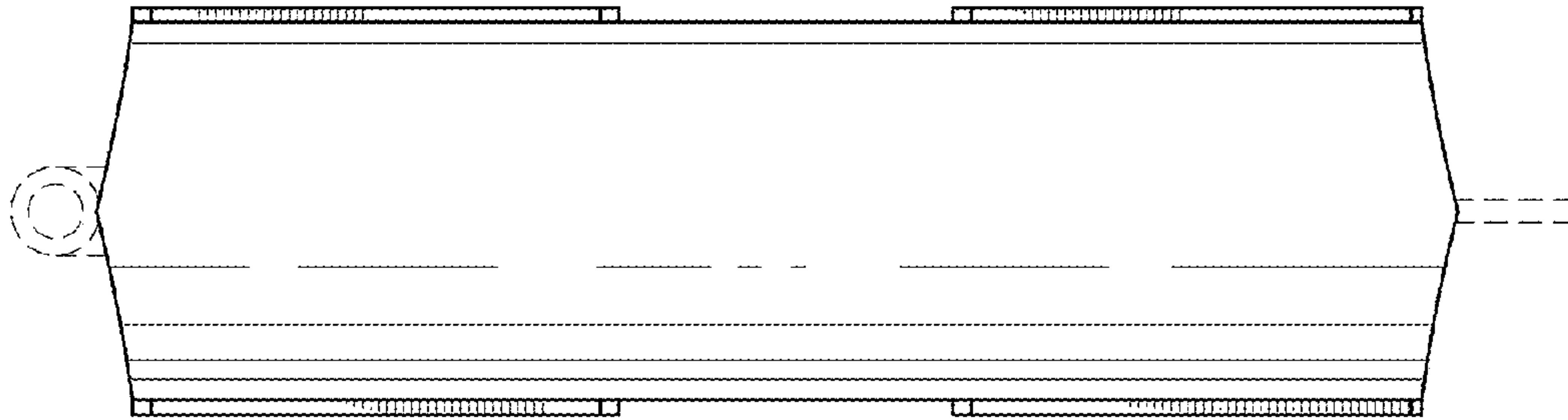


FIG. 11

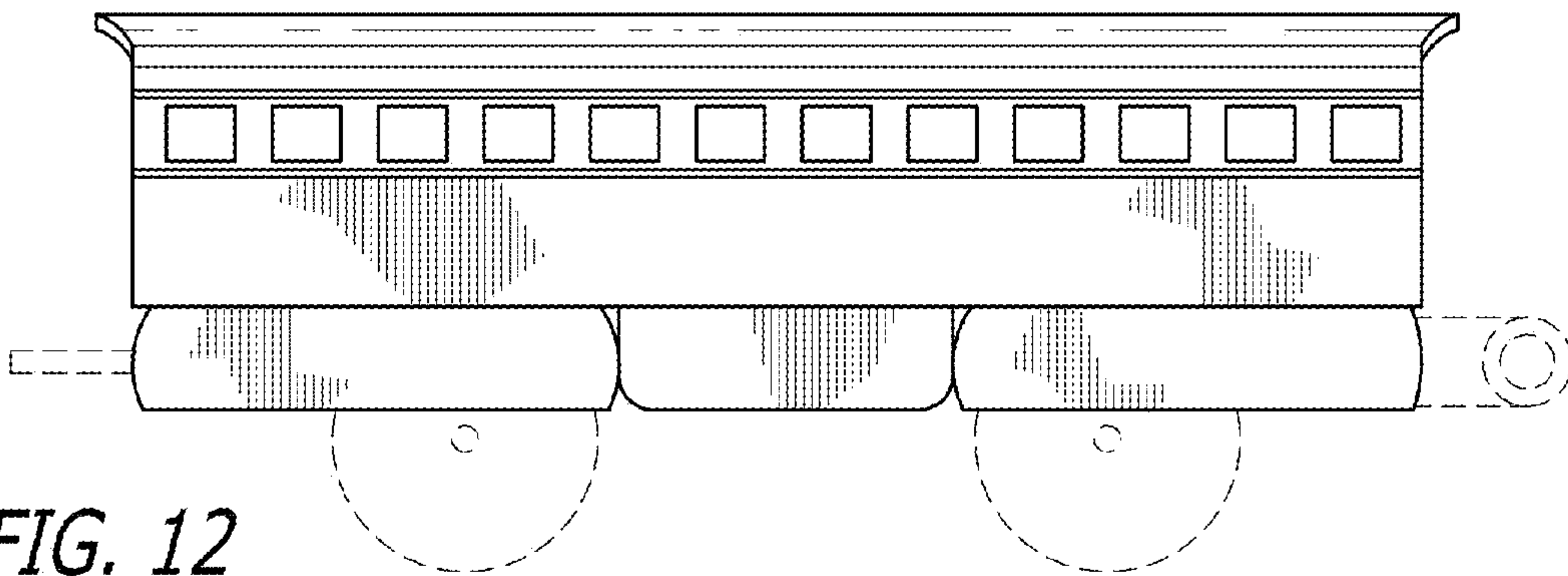


FIG. 12

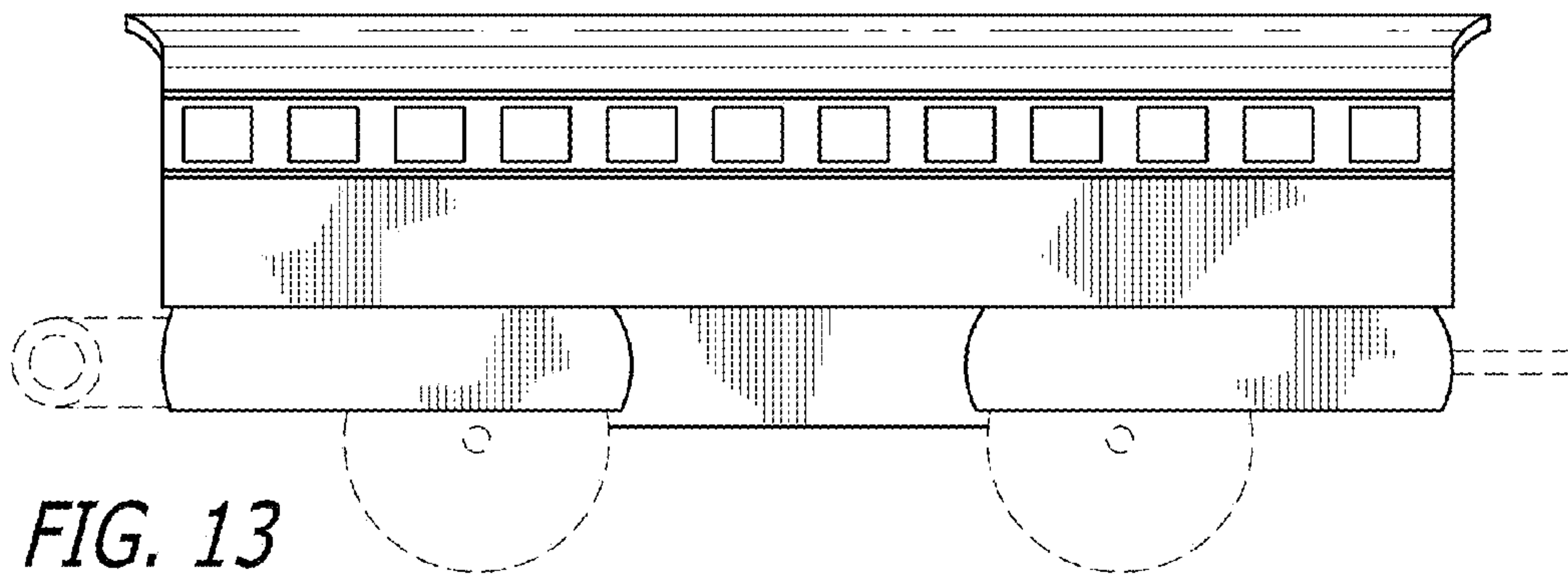


FIG. 13

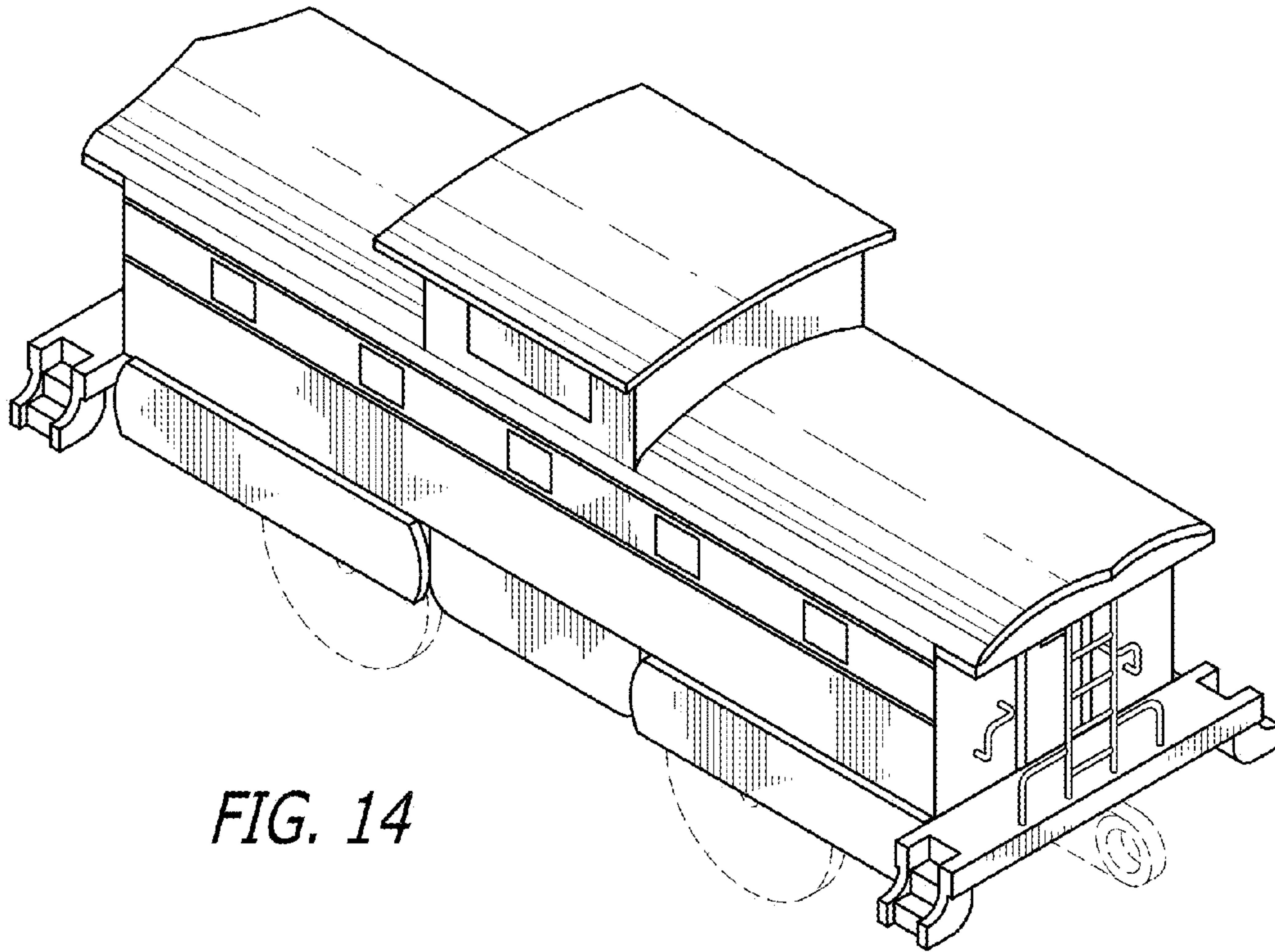


FIG. 14

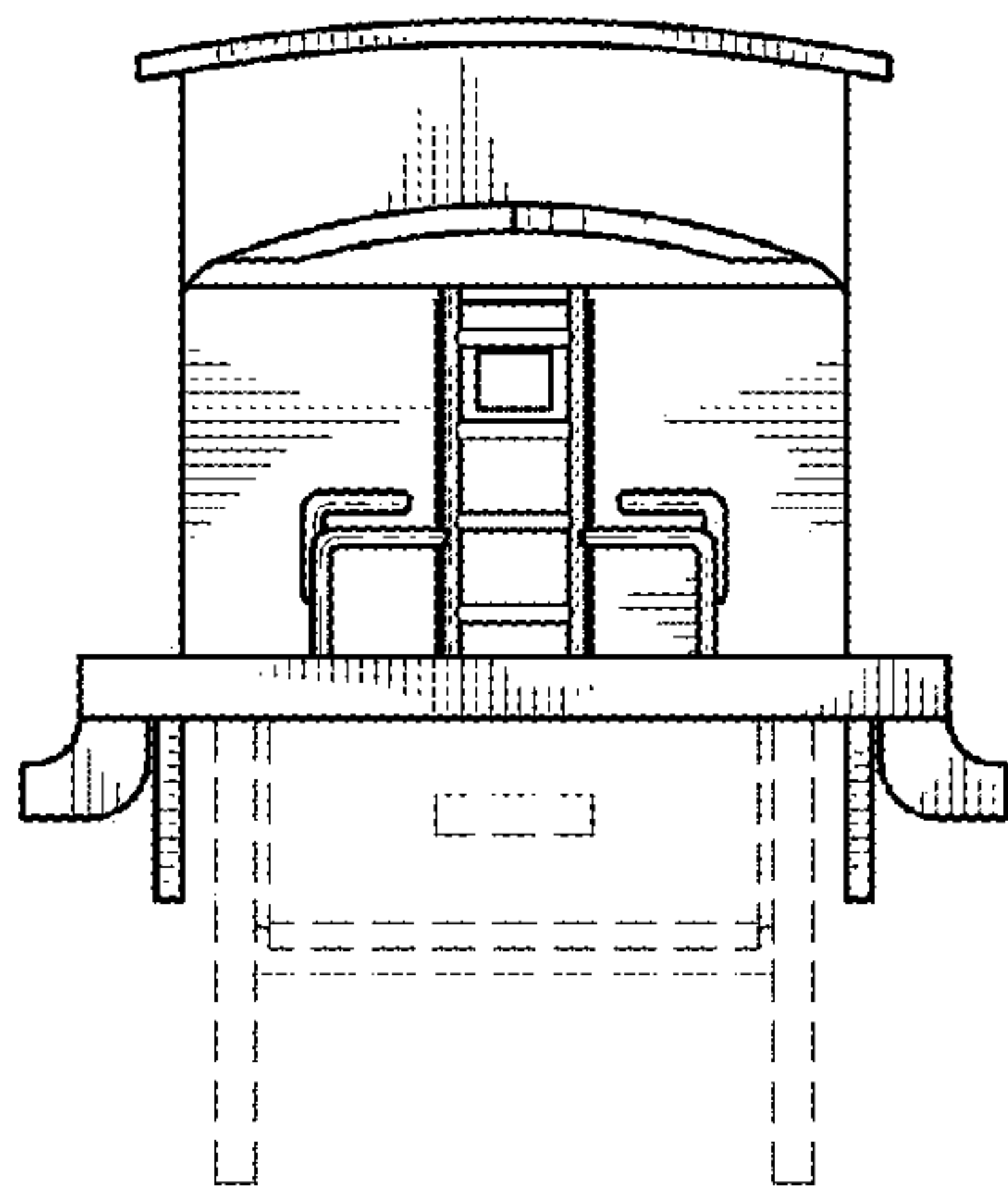


FIG. 15

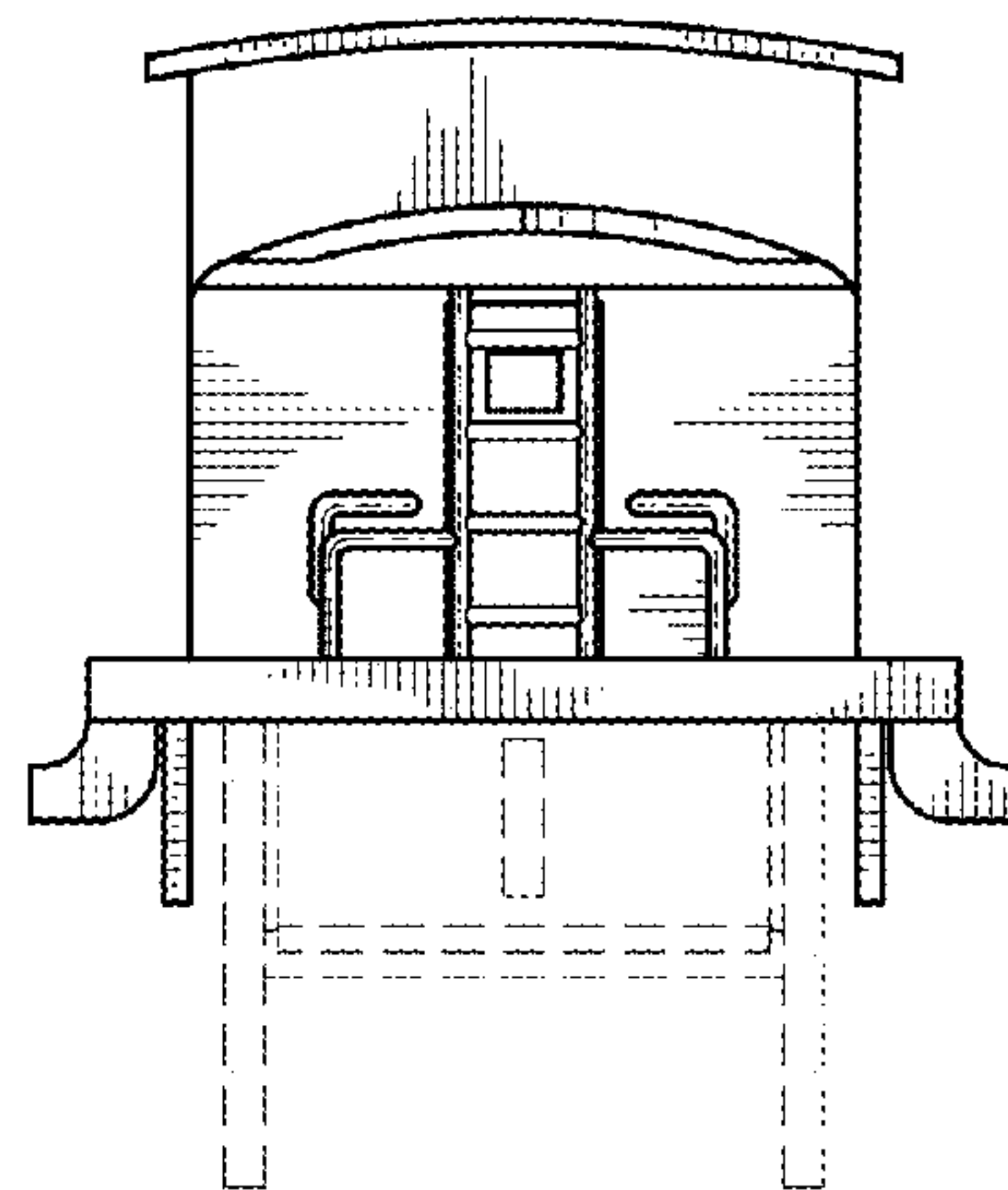


FIG. 16



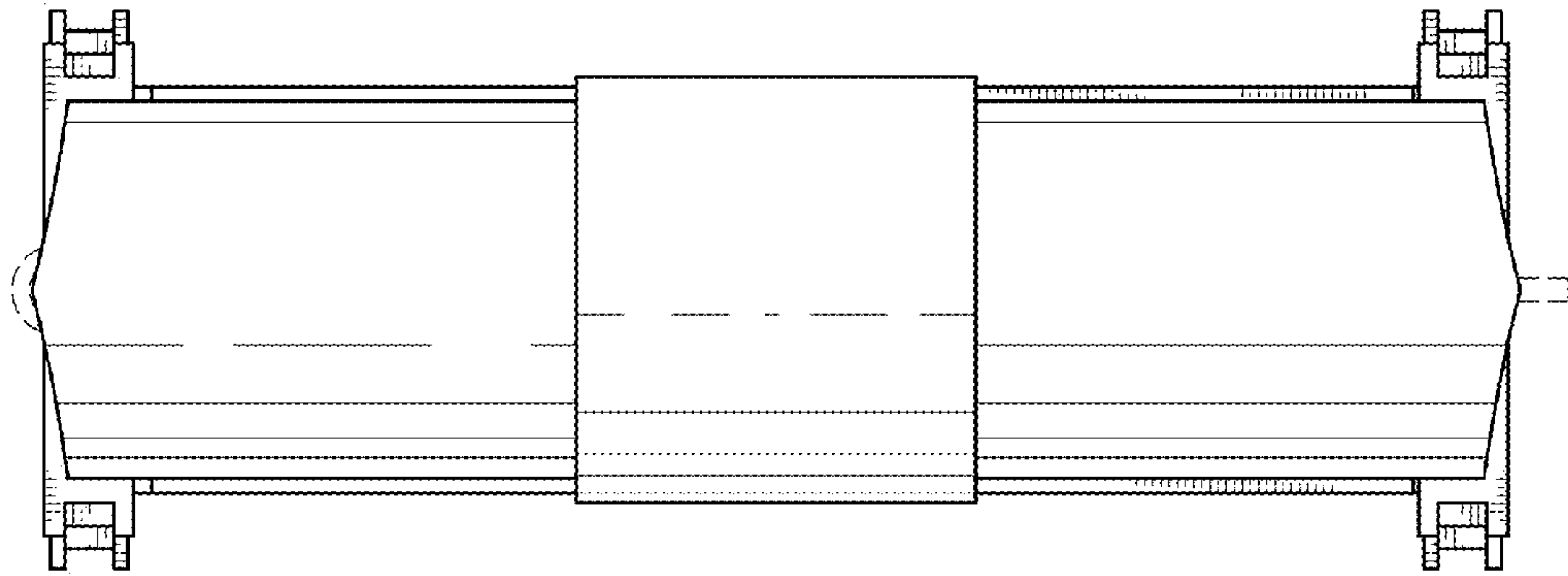


FIG. 17

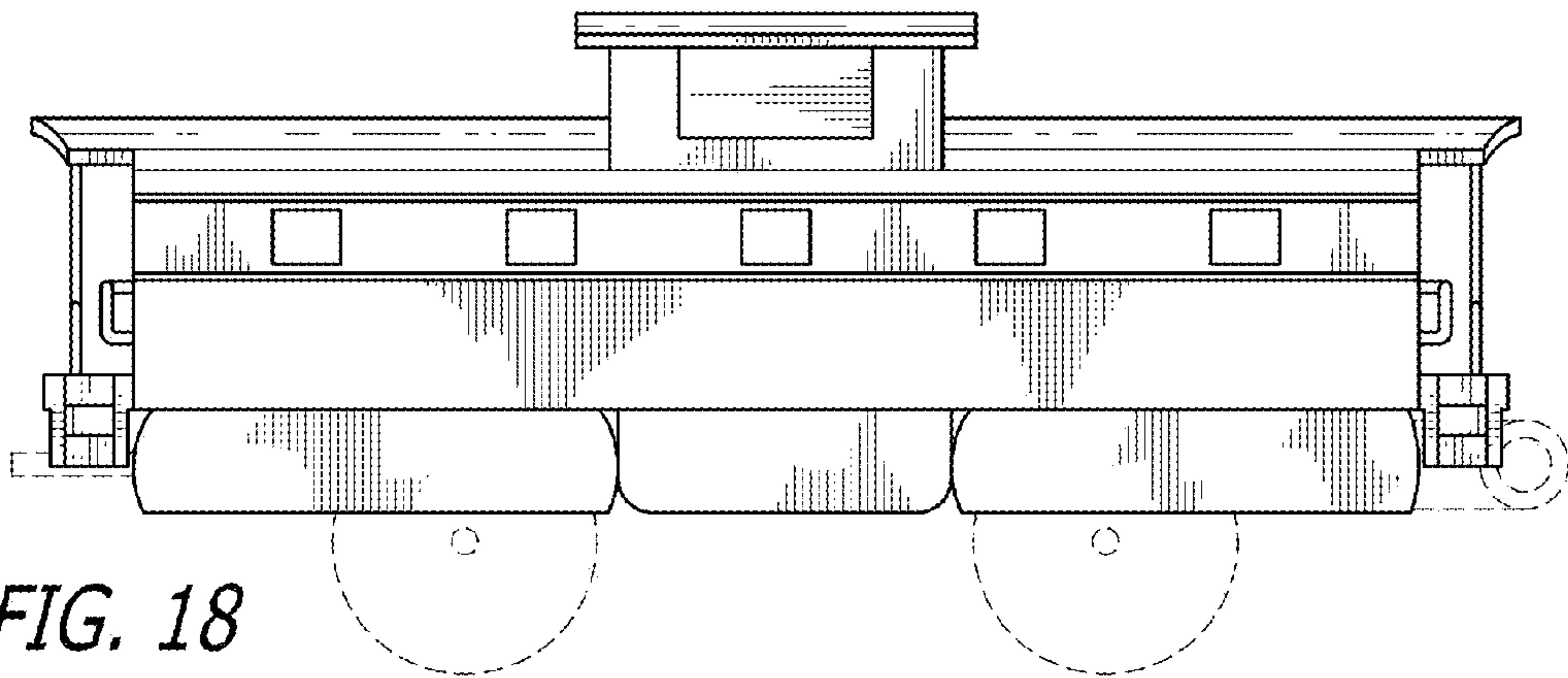


FIG. 18

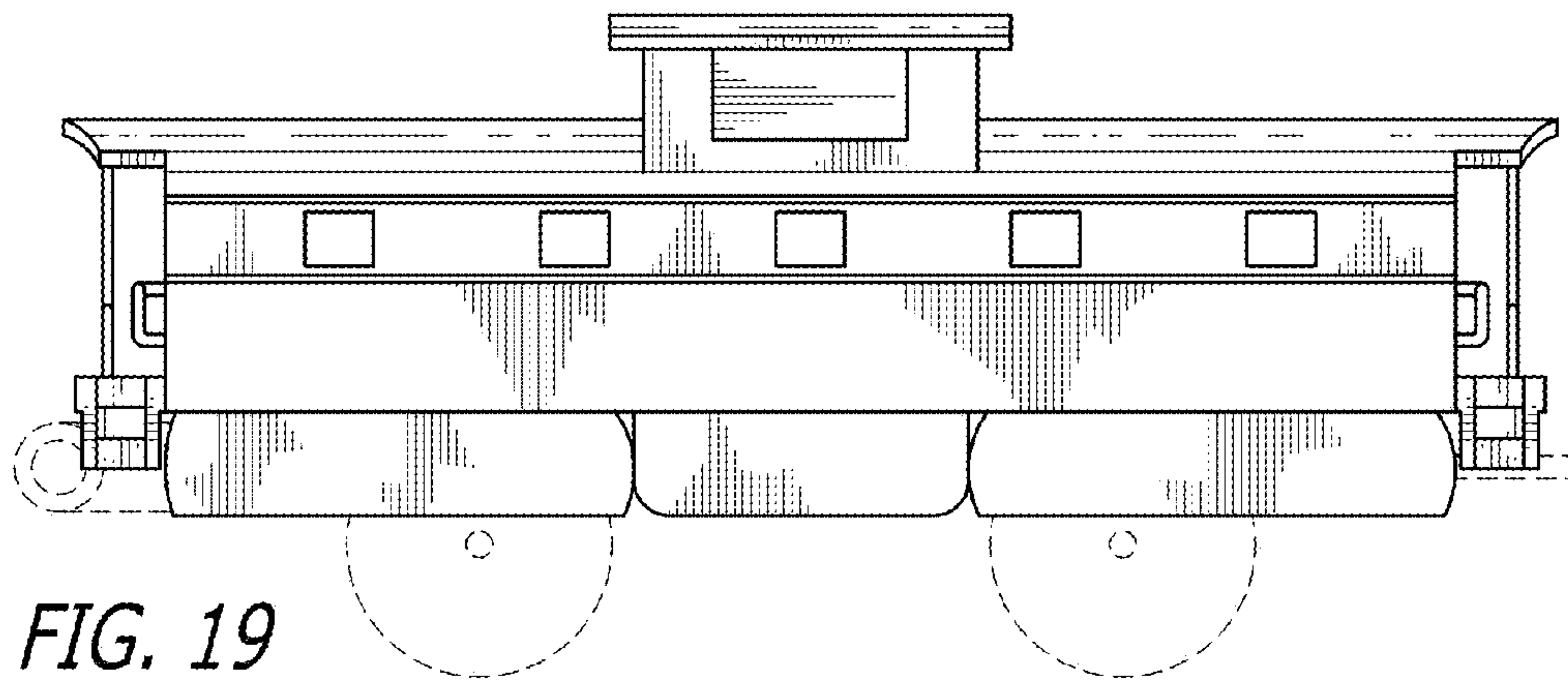


FIG. 19