



US00D751651S

(12) **United States Design Patent**
Lehman et al.

(10) **Patent No.:** **US D751,651 S**
(45) **Date of Patent:** **** Mar. 15, 2016**

(54) **FLYING RING TOY**
(71) Applicants: **Kenn W Lehman**, Fort Wayne, IN (US);
Rose E Lehman, Fort Wayne, IN (US)
(72) Inventors: **Kenn W Lehman**, Fort Wayne, IN (US);
Rose E Lehman, Fort Wayne, IN (US)
(**) Term: **14 Years**
(21) Appl. No.: **29/480,576**
(22) Filed: **Apr. 28, 2014**
(51) **LOC (10) Cl.** **21-02**
(52) **U.S. Cl.**
USPC **D21/443**; D11/141
(58) **Field of Classification Search**
USPC D11/141, 202; D21/301, 308, 436, 437,
D21/438, 441, 443, 447, 449, 451; D30/160
CPC A63H 33/18; A63B 19/00; A63B 67/06;
A63B 67/14; A63B 65/08; F41J 1/01; F41J
9/02; A63F 7/0005
See application file for complete search history.

D445,461 S * 7/2001 Vodhanel, Jr. D21/443
D449,082 S * 10/2001 Levine D21/443
D453,359 S * 2/2002 Naslund D21/301
D478,944 S * 8/2003 Peterson D21/443
D501,517 S * 2/2005 Vodhanel, Jr. D21/443
D524,877 S * 7/2006 Kort et al. D21/443
D527,428 S * 8/2006 Cooper D21/443
D559,920 S * 1/2008 Krueger et al. D21/443
D572,315 S * 7/2008 Sowinski D21/443
7,976,355 B2 * 7/2011 McAnulty 446/46
D644,272 S * 8/2011 Sullivan D21/436
D659,197 S * 5/2012 Slone et al. D21/443
D678,422 S * 3/2013 Thompson D21/443
D681,741 S * 5/2013 Lederman et al. D21/443
D691,673 S * 10/2013 Vazquez D21/443
D714,398 S * 9/2014 Oblack et al. D21/443
D725,197 S * 3/2015 Thompson D21/443
D725,713 S * 3/2015 Thompson D21/443
D725,714 S * 3/2015 Kim D21/443
D729,322 S * 5/2015 Fisher D21/443

* cited by examiner

Primary Examiner — John Windmuller
Assistant Examiner — Steven Czyz

(57) **CLAIM**
The ornamental design for a flying ring toy, as shown and described.

(56) **References Cited**

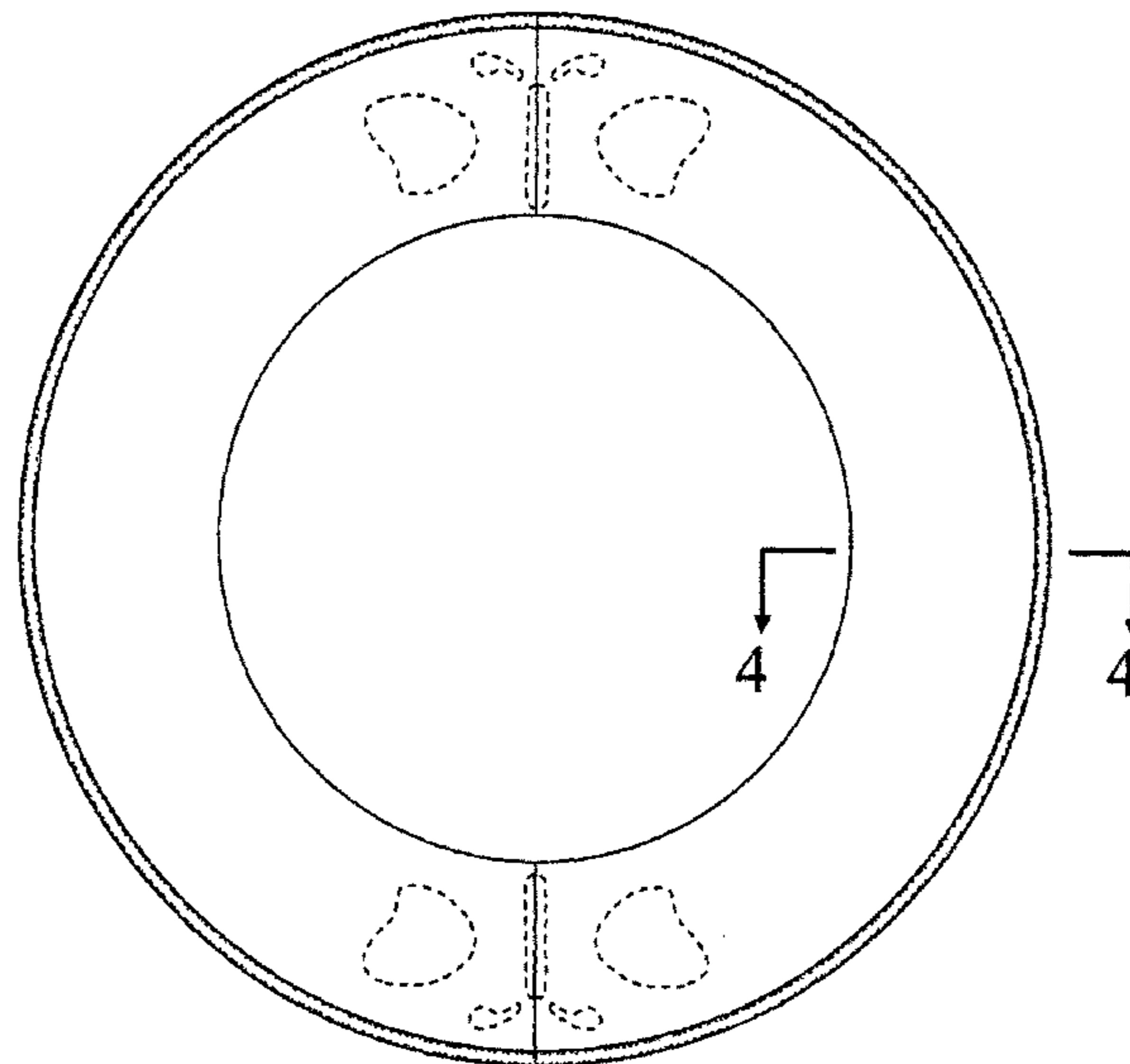
U.S. PATENT DOCUMENTS

D285,109 S * 8/1986 Jornhagen D23/269
D285,247 S * 8/1986 Jornhagen D23/269
4,752,267 A * 6/1988 Layman 446/46
D301,156 S * 5/1989 Bullard D21/405
4,854,907 A * 8/1989 Holmes 446/48
D324,000 S * 2/1992 Kvistad D10/118
D336,119 S * 6/1993 Bridge, Jr. D21/443
D346,626 S * 5/1994 St. Lawrence D21/443
D354,525 S * 1/1995 Sullivan D21/443
D362,470 S * 9/1995 Smith D21/443
D369,191 S * 4/1996 Dunipace D21/443
D402,318 S * 12/1998 Dunipace D21/443
D406,282 S * 3/1999 Pinguelo D21/443
D412,724 S * 8/1999 Raundahl D21/443
D414,823 S * 10/1999 Gardner D21/443

DESCRIPTION

FIG. 1 is a top view of a flying ring showing our new design, with the opposite side being a mirror image thereof; FIG. 2 is a side view of FIG. 1, with the opposite side being a mirror image thereof; FIG. 3 is an end view of FIG. 1, with the opposite end being a mirror image thereof; and, FIG. 4 is an enlarged cross-section view taken at 4-4 on FIG.1. The broken lines in FIG. 1 depict portions of the flying ring that form no part of the claimed design.

1 Claim, 2 Drawing Sheets



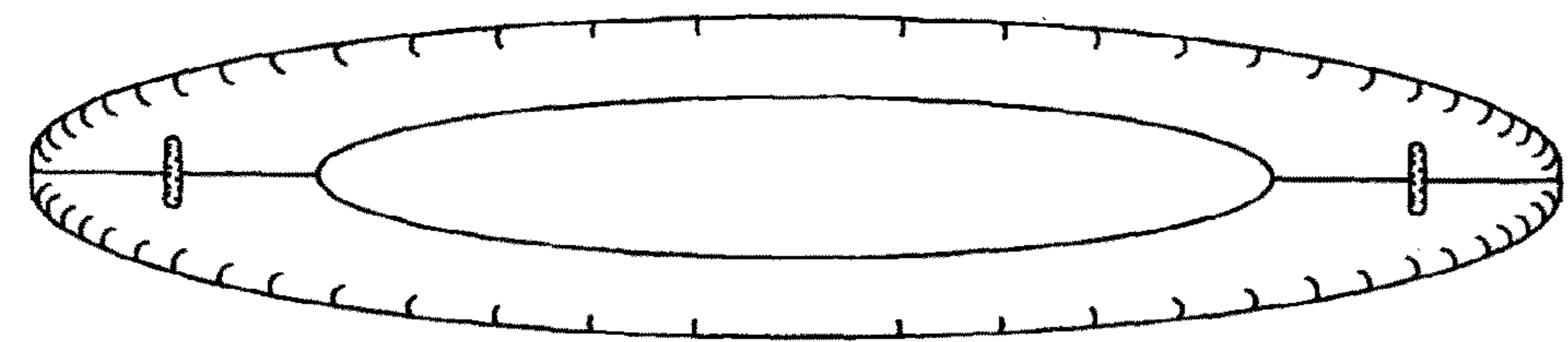


Fig. 2

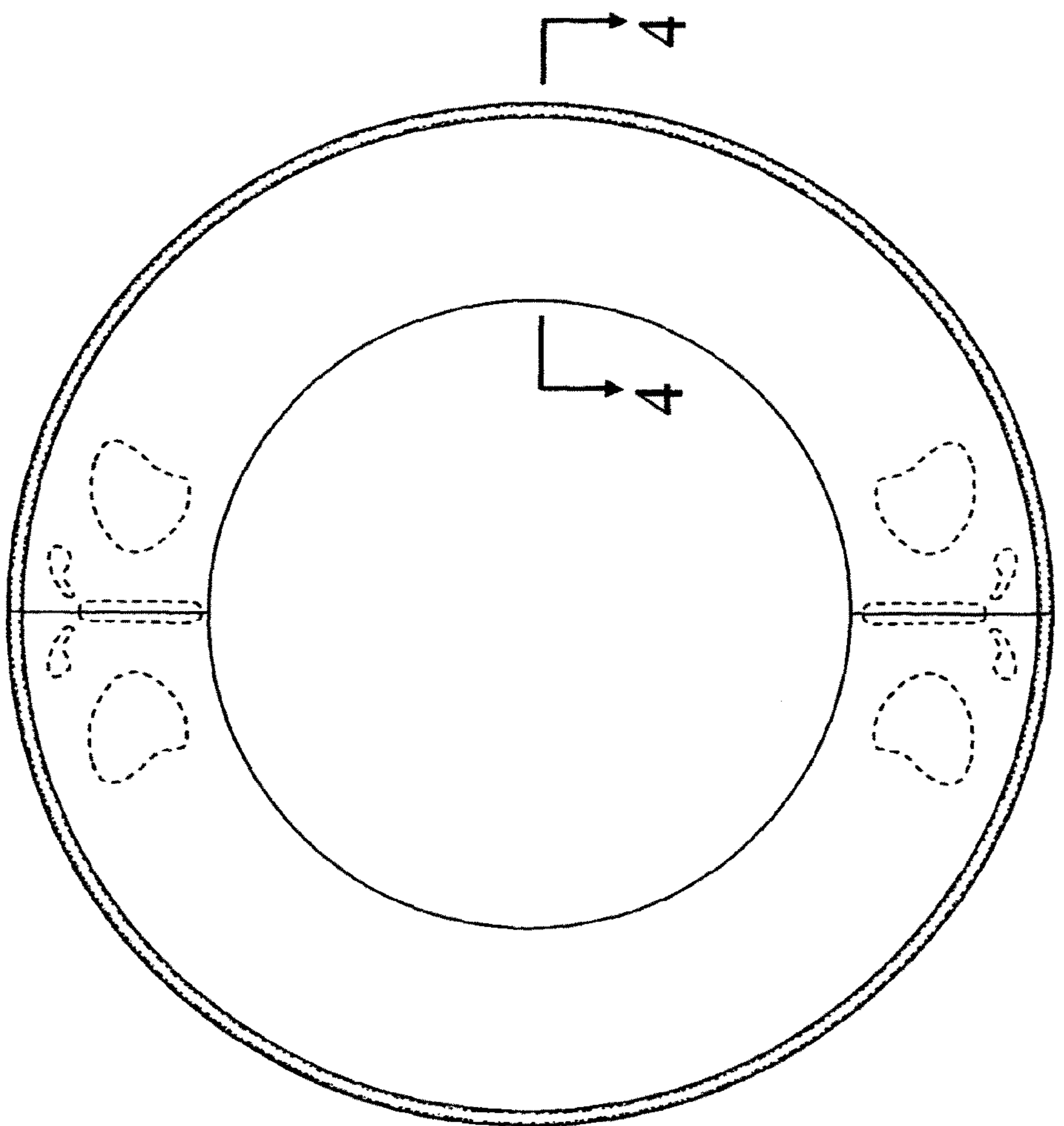


Fig. 1

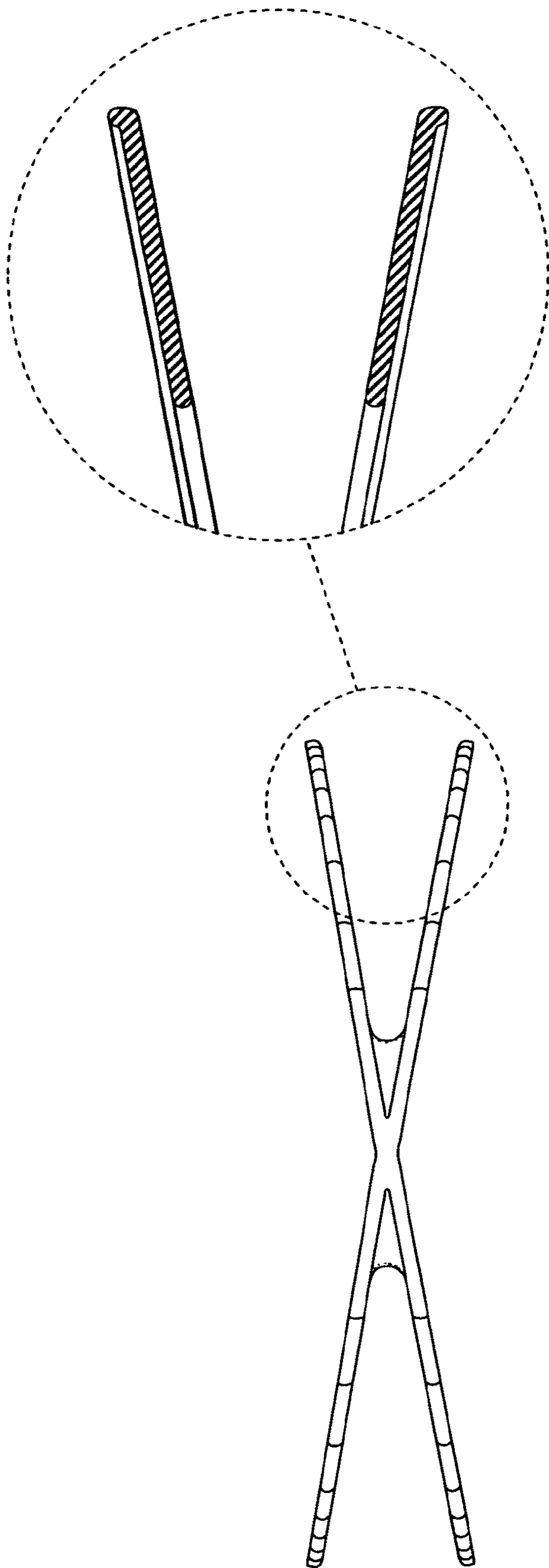


Fig. 4

Fig. 3