



US00D751650S

(12) **United States Design Patent**
Landwehr

(10) **Patent No.:** **US D751,650 S**
(45) **Date of Patent:** **** Mar. 15, 2016**

(54) **APPARATUS FOR DISPLAYING INFORMATION**
(71) Applicant: **SignX Corporation**, New Berlin, WI (US)
(72) Inventor: **Michael J Landwehr**, Brookfield, WI (US)
(73) Assignee: **SIGN-X CORPORATION**, New Berlin, WI (US)

4,881,707 A * 11/1989 Garfinkle G09F 7/22
248/222.12
5,289,652 A * 3/1994 Kringel G09F 3/204
40/651
D352,070 S * 11/1994 Gibson D20/40
6,202,334 B1 * 3/2001 Reynolds G09F 7/18
40/608
6,233,858 B1 5/2001 Brach, Jr. et al.
D527,426 S * 8/2006 Mason D20/43
D609,753 S * 2/2010 Dukes D20/43
D670,766 S * 11/2012 Busch D20/43
D693,409 S * 11/2013 Clark D20/43
8,607,487 B1 * 12/2013 Magness G09F 7/22
206/570

(**) Term: **14 Years**

* cited by examiner

(21) Appl. No.: **29/500,078**

Primary Examiner — Mary Ann Calabrese

(22) Filed: **Aug. 21, 2014**

(74) *Attorney, Agent, or Firm* — Zimmerman Intellectual Property Services LLC

(51) **LOC (10) Cl.** **20-03**

(52) **U.S. Cl.**
USPC **D20/43**

(57) **CLAIM**

The ornamental design for an apparatus for displaying information, as shown.

(58) **Field of Classification Search**
USPC D20/10, 17, 19, 41, 43, 44, 99; D6/300
CPC G09F 1/10; G09F 1/103; G09F 1/12;
G09F 1/14; G09F 2001/106; G09F 3/08;
G09F 3/12; G09F 3/16; G09F 3/18; G09F
3/20; G09F 3/201; G09F 3/202; G09F 3/204;
G09F 2007/1821; G09F 2007/1813; G09F
2007/1817; G09F 2007/183; G09F 7/18;
G09F 7/22; G09F 15/0012; G09F 15/0018;
G09F 15/0087; A47G 1/06; A47G 1/0638
See application file for complete search history.

DESCRIPTION

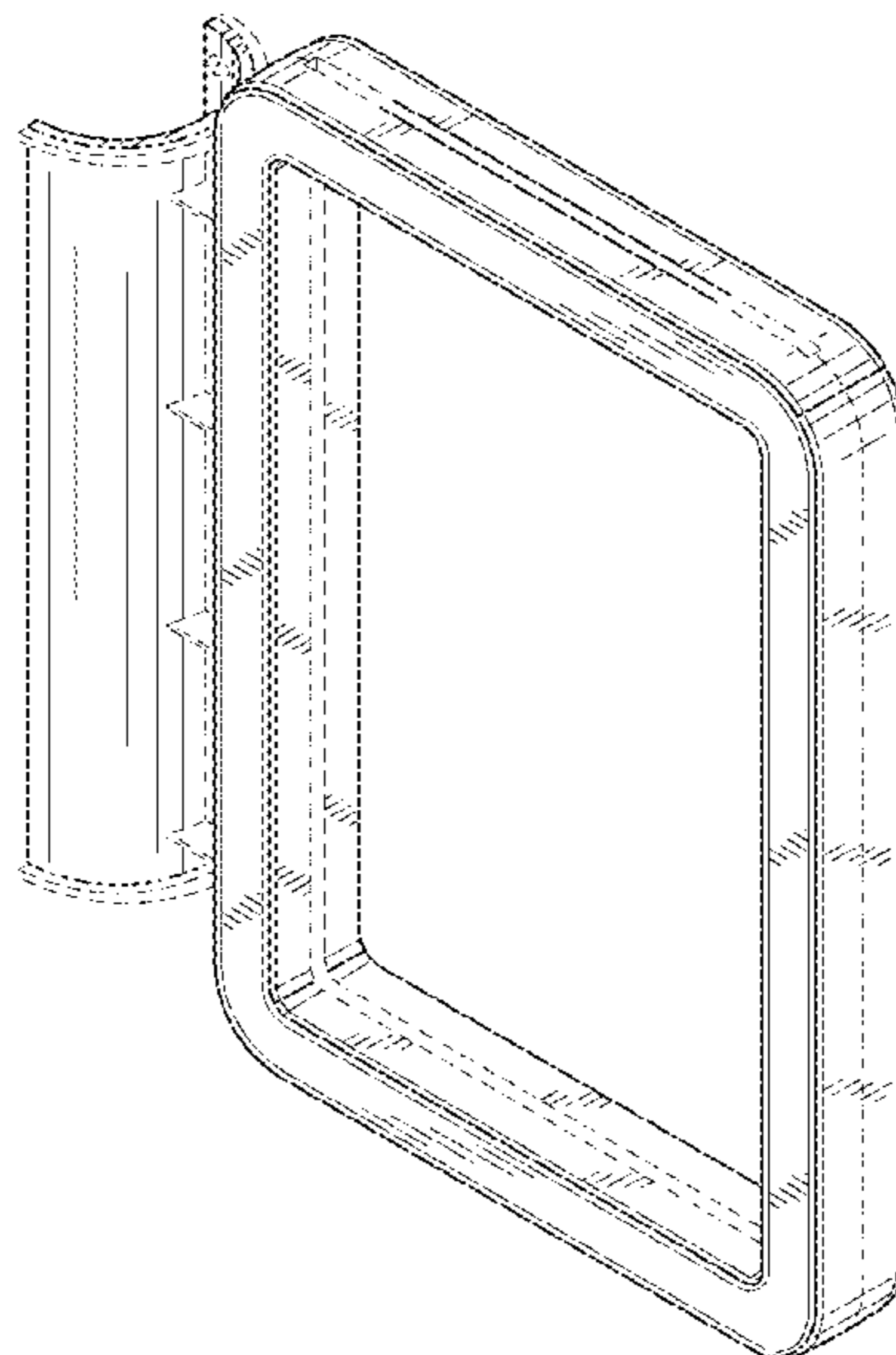
FIG. 1 is a front perspective view of an apparatus for displaying information of the new design.
FIG. 2 is a front elevation view of an apparatus for displaying information of the new design.
FIG. 3 is a top plan view of an apparatus for displaying information of the new design.
FIGS. 4 and 5 are left and right side elevation views of an apparatus for displaying information of the new design.
FIG. 6 is a rear elevation view of an apparatus for displaying information of the new design; and,
FIG. 7 is a bottom plan view of an apparatus for displaying information of the new design.
The broken line disclosure is for illustrating portions of the article that form no part of the claimed design.

(56) **References Cited**

U.S. PATENT DOCUMENTS

2,070,652 A * 2/1937 Elmer G09F 1/14
40/607.1
4,805,331 A * 2/1989 Boggess G09F 15/0087
211/59.2

1 Claim, 4 Drawing Sheets



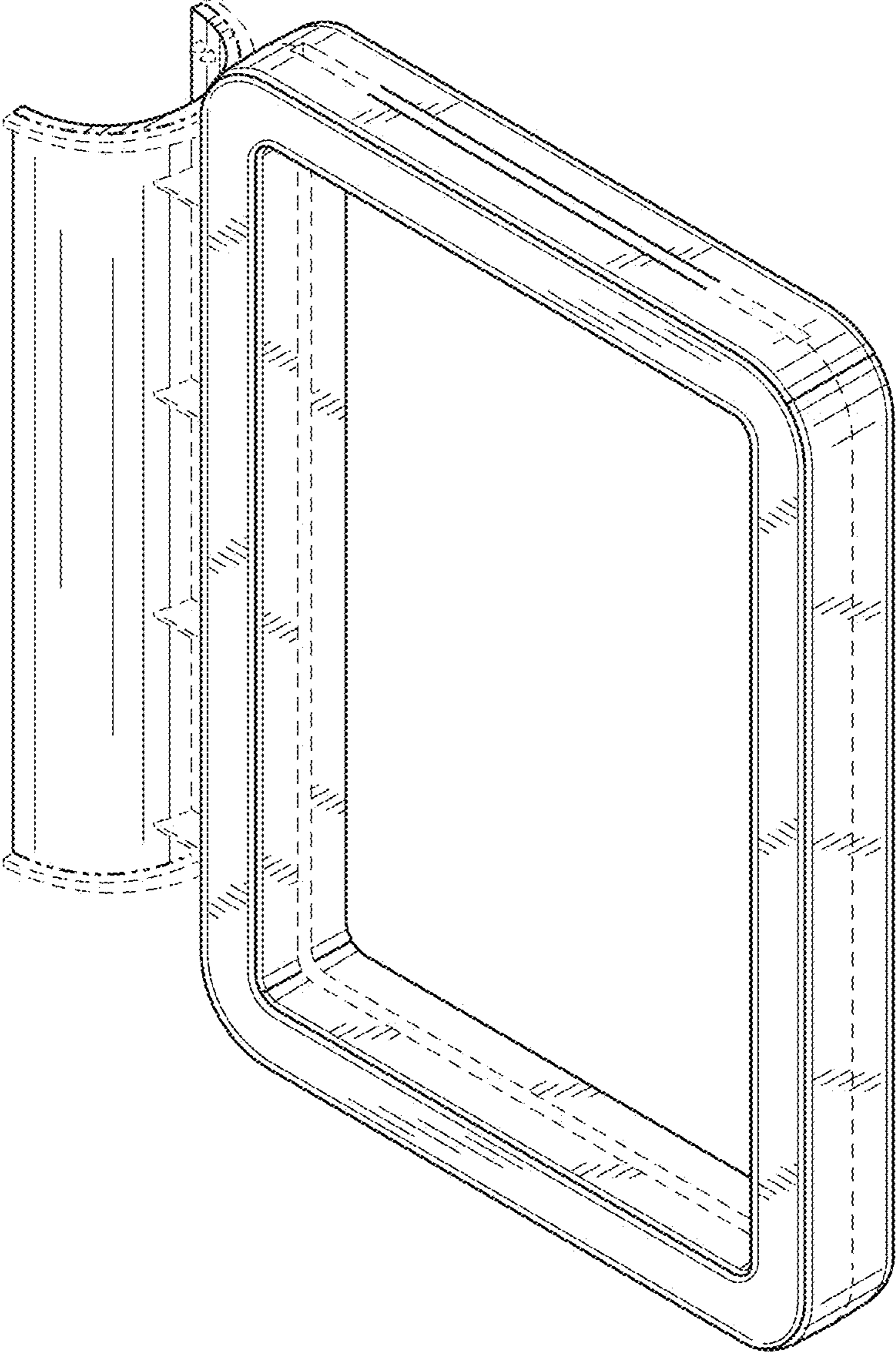


FIG. 1

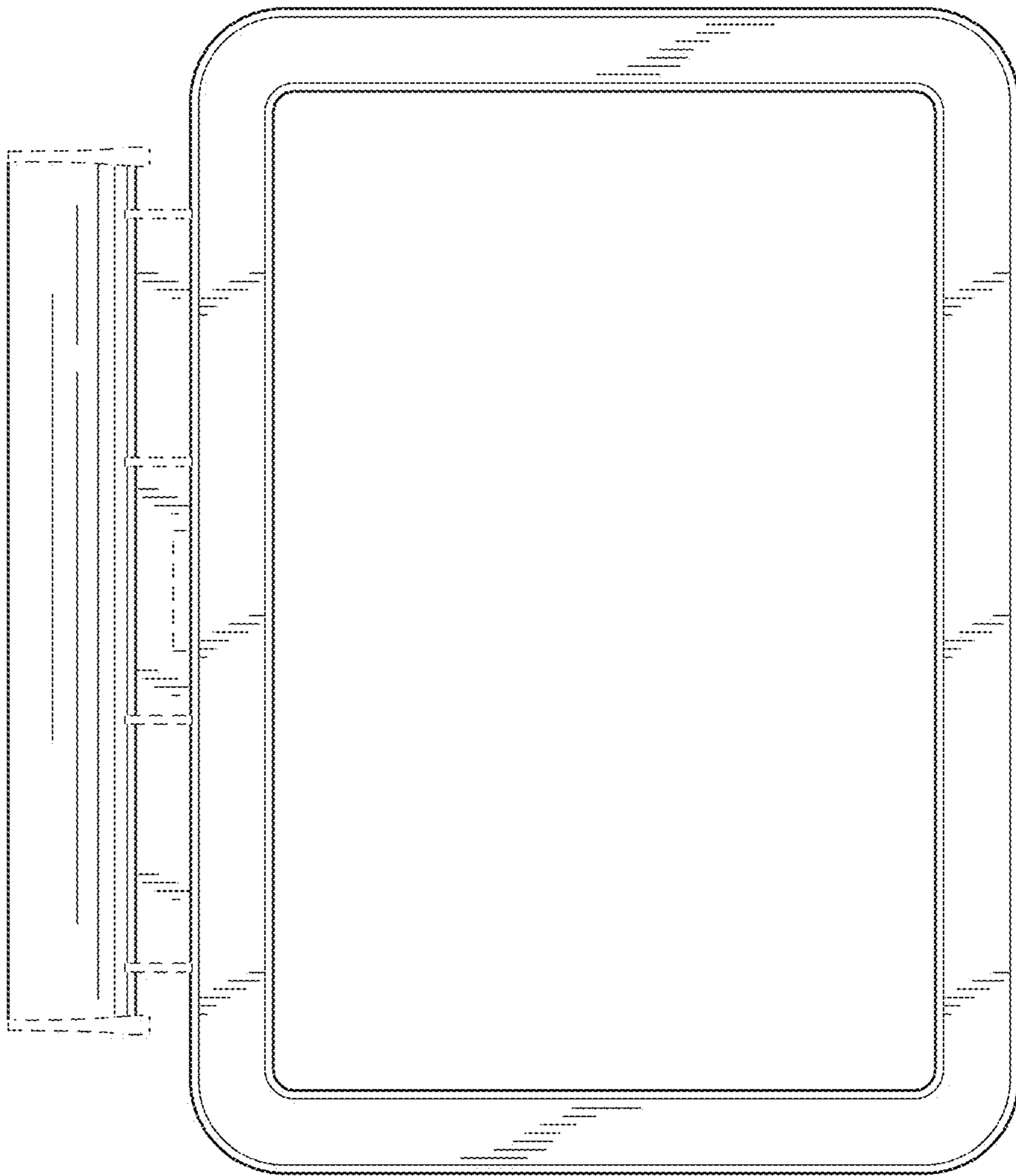


FIG. 2

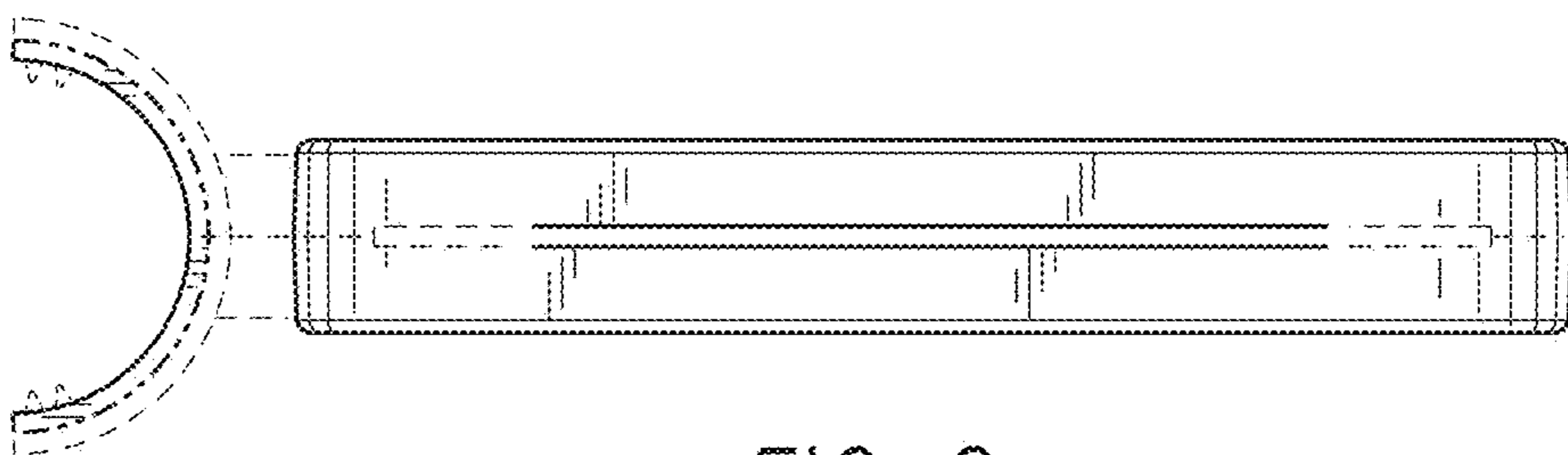


FIG. 3

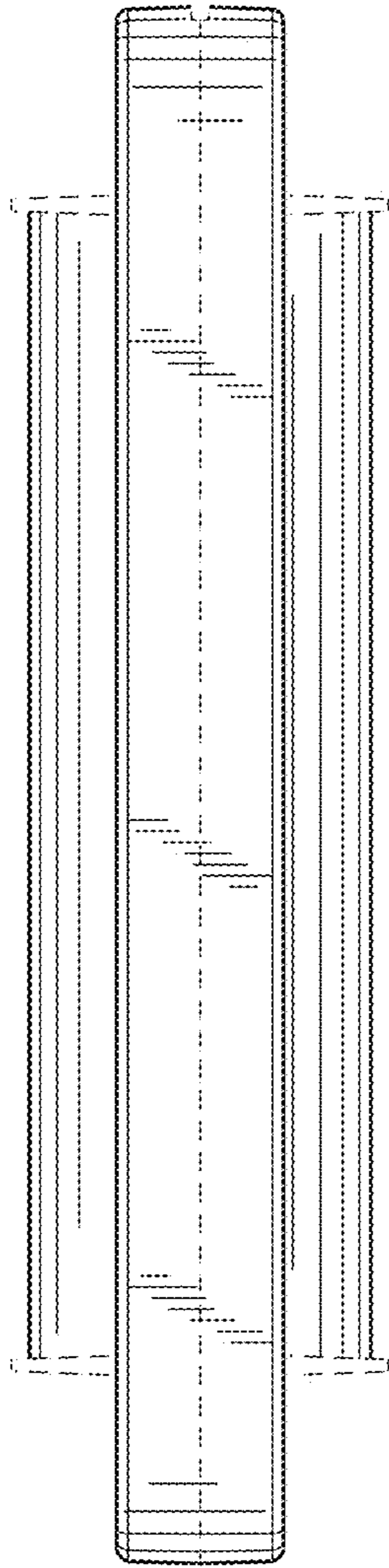


FIG. 4

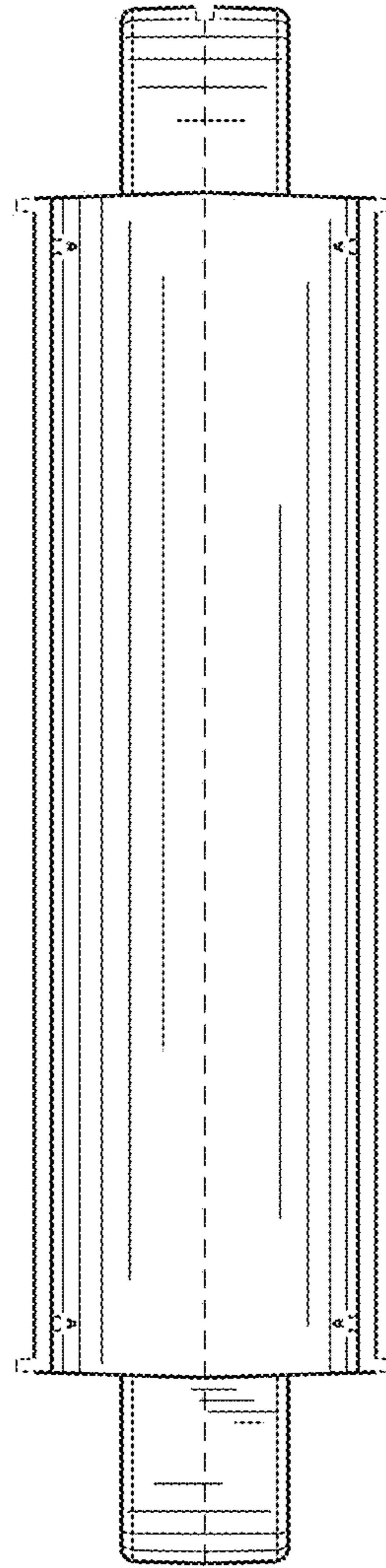


FIG. 5

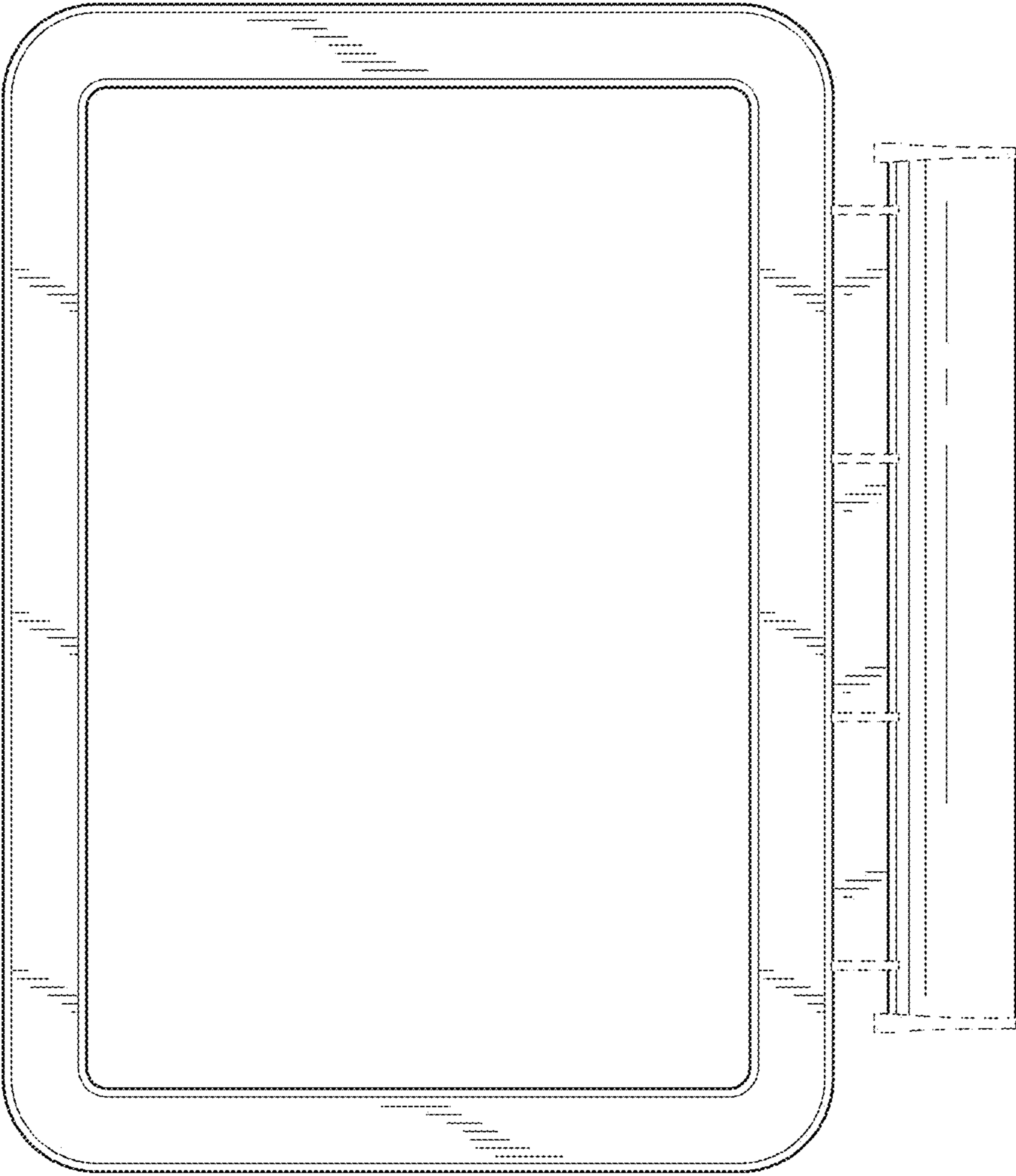


FIG. 6

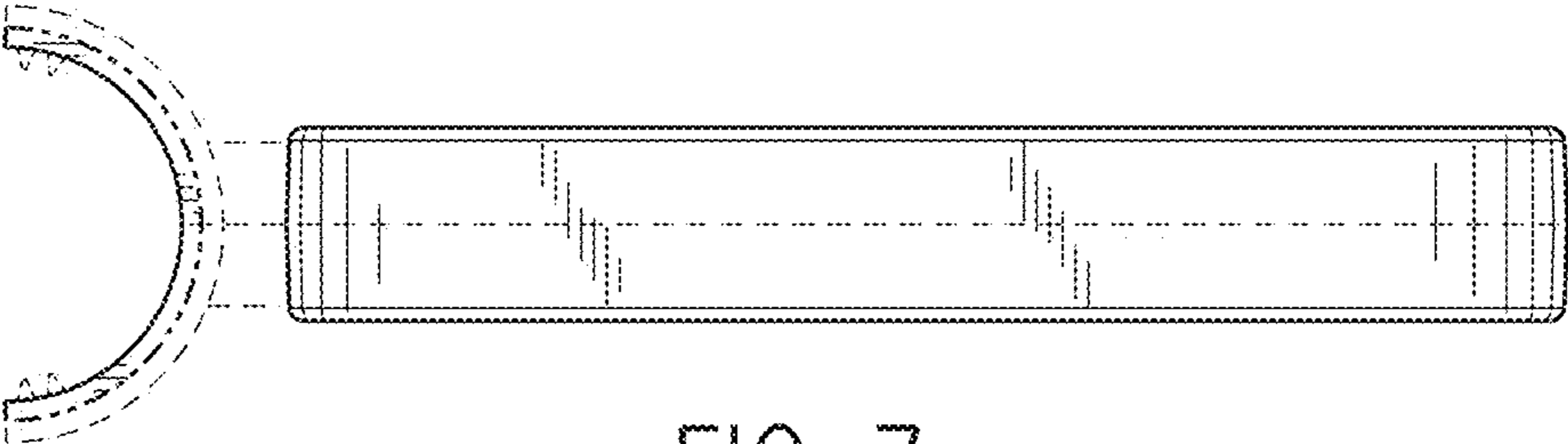


FIG. 7