



US00D751648S

(12) **United States Design Patent**
Gongola et al.

(10) **Patent No.:** **US D751,648 S**
(45) **Date of Patent:** **** Mar. 15, 2016**

(54) **LIGHT-EMITTING DIODE EDGE LIGHTED AIRFIELD GUIDANCE SIGN**

(71) Applicants: **Paul Gongola**, Enfield, CT (US); **John Schneider**, West Springfield, MA (US)

(72) Inventors: **Paul Gongola**, Enfield, CT (US); **John Schneider**, West Springfield, MA (US)

(73) Assignee: **Cooper Technologies Company**, Houston, TX (US)

(**) Term: **14 Years**

(21) Appl. No.: **29/464,862**

(22) Filed: **Aug. 21, 2013**

(51) **LOC (10) Cl.** **20-02**

(52) **U.S. Cl.**
USPC **D20/41**

(58) **Field of Classification Search**
USPC D20/10, 15, 17, 19, 22-29, 40-42, 99;
D10/109.1, 109.2, 113.4
CPC G09F 7/00; G09F 7/02; G09F 7/06;
G09F 7/08; G09F 7/18; G09F 9/00; G09F 9/02;
G09F 9/04; G09F 13/00; G09F 13/02; G09F 13/04;
G09F 15/00; G09F 15/0012; G09F 15/0037;
G09F 15/02; G09F 15/0006; G09F 2007/1821;
G09F 2007/1834; G09F 2013/0431; G09F 2013/0495;
G09F 21/00; G09F 21/04; G09F 21/041; G09F 21/048
See application file for complete search history.

(56) **References Cited**

U.S. PATENT DOCUMENTS

823,459	A *	6/1906	Batchelder	40/592
2,865,124	A *	12/1958	Mortellito	40/605
4,209,927	A *	7/1980	Donatelle	40/607.02
4,263,738	A *	4/1981	Donatelle	40/607.02
4,408,407	A *	10/1983	Bloom et al.	40/611.05
4,641,448	A *	2/1987	Cobb et al.	40/607.02
D343,199	S *	1/1994	Kunzer	D20/17
D433,713	S *	11/2000	Olivetti	D20/10

6,174,065	B1	1/2001	Schurch	
6,352,350	B1	3/2002	Ma	
D457,918	S *	5/2002	Linko, Sr. D20/10
6,471,388	B1	10/2002	Marsh	
6,493,975	B1 *	12/2002	Cobb et al. 40/611.05
6,583,556	B2	6/2003	Oishi et al.	
6,750,996	B2	6/2004	Jagt et al.	
D500,812	S *	1/2005	Nudo, Jr. D20/41
6,946,975	B2	9/2005	Hansler et al.	

(Continued)

FOREIGN PATENT DOCUMENTS

EP	2487673	8/2012
JP	8076113	3/1996
WO	2010125198	11/2010

OTHER PUBLICATIONS

Lukashina, E., International Search Report and Written Opinion of the International Searching Authority for PCT/US2014/051742, completed on Nov. 7, 2014, mailing date Nov. 20, 2014, pp. 1-7.

Primary Examiner — Mary Ann Calabrese
(74) *Attorney, Agent, or Firm* — King & Spalding LLP

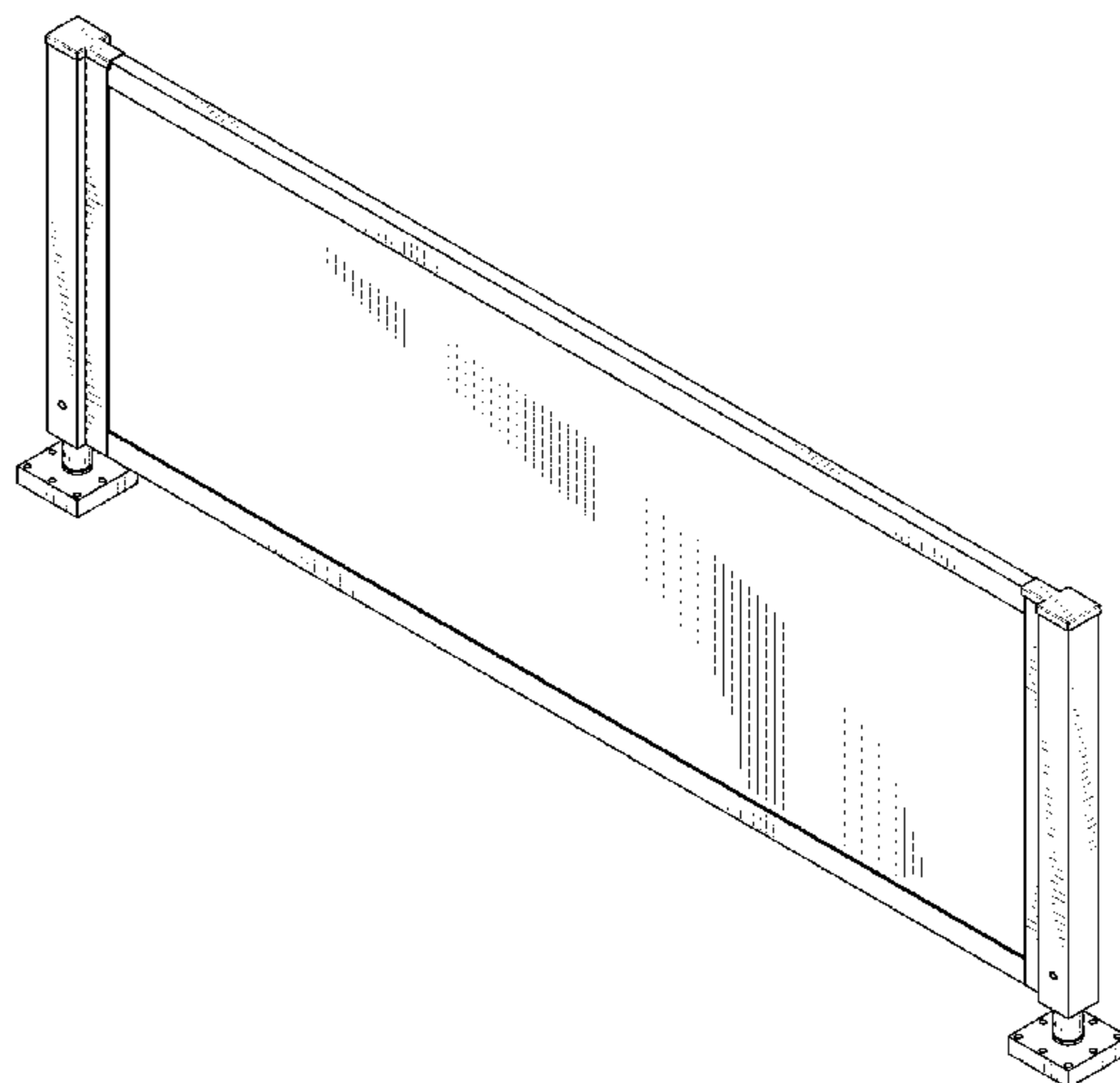
(57) **CLAIM**

The ornamental design for a light-emitting diode edge lighted airfield guidance sign, as shown and described.

DESCRIPTION

FIG. 1 is a perspective view of a light-emitting diode edge lighted airfield guidance sign, showing our new design; FIG. 2 is a front elevation view thereof; FIG. 3 is a back elevation view thereof; FIG. 4 is a top view thereof; FIG. 5 is a bottom view thereof; FIG. 6 is a left-side elevation view thereof; and, FIG. 7 is a right-side elevation view thereof. The portions of the light-emitting diode edge lighted airfield guidance sign shown in broken lines in the drawings represent unclaimed subject matter and form no part of the claimed design.

1 Claim, 5 Drawing Sheets



(56)

References Cited

U.S. PATENT DOCUMENTS

7,164,836 B2 1/2007 Wright et al.
7,542,635 B2 6/2009 Coleman
7,635,214 B2 12/2009 Perlo
7,681,347 B1 3/2010 Welker et al.
D616,502 S * 5/2010 Kulikoff D20/10
7,762,704 B2 7/2010 Brychell
D647,970 S * 11/2011 Stremppack D20/10
8,408,775 B1 4/2013 Coleman

2006/0242867 A1 11/2006 Choi
2008/0049441 A1 2/2008 Lee
2010/0027293 A1 2/2010 Li
2010/0245109 A1 9/2010 Ashoff et al.
2011/0199784 A1 8/2011 Isobe et al.
2012/0287674 A1 11/2012 Nichol et al.
2012/0320627 A1 12/2012 Araki et al.
2013/0016526 A1 1/2013 McCollum et al.
2013/0083559 A1 4/2013 Oh
2013/0088890 A1 4/2013 Knapp et al.

* cited by examiner

FIG. 1

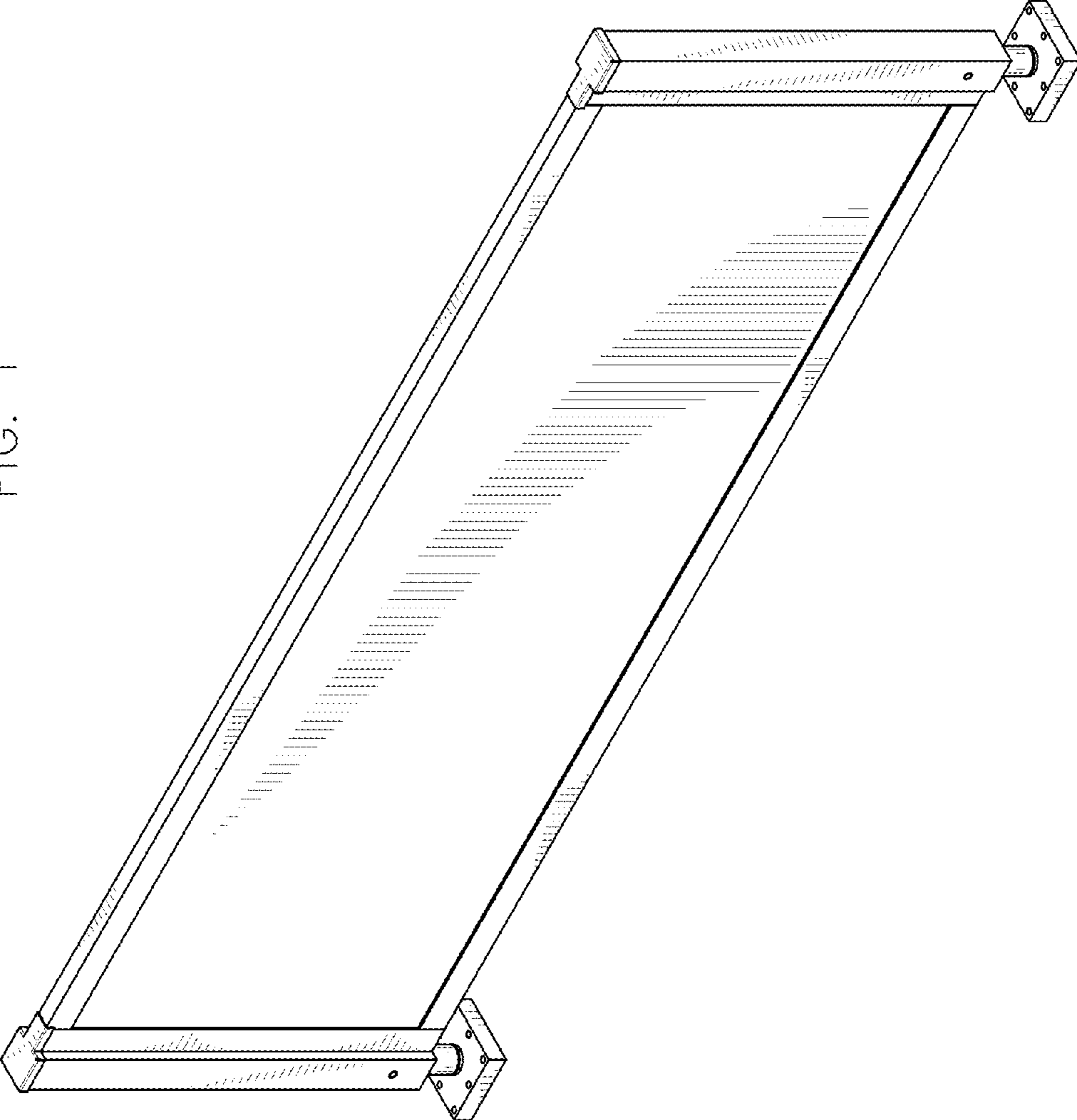


FIG. 2

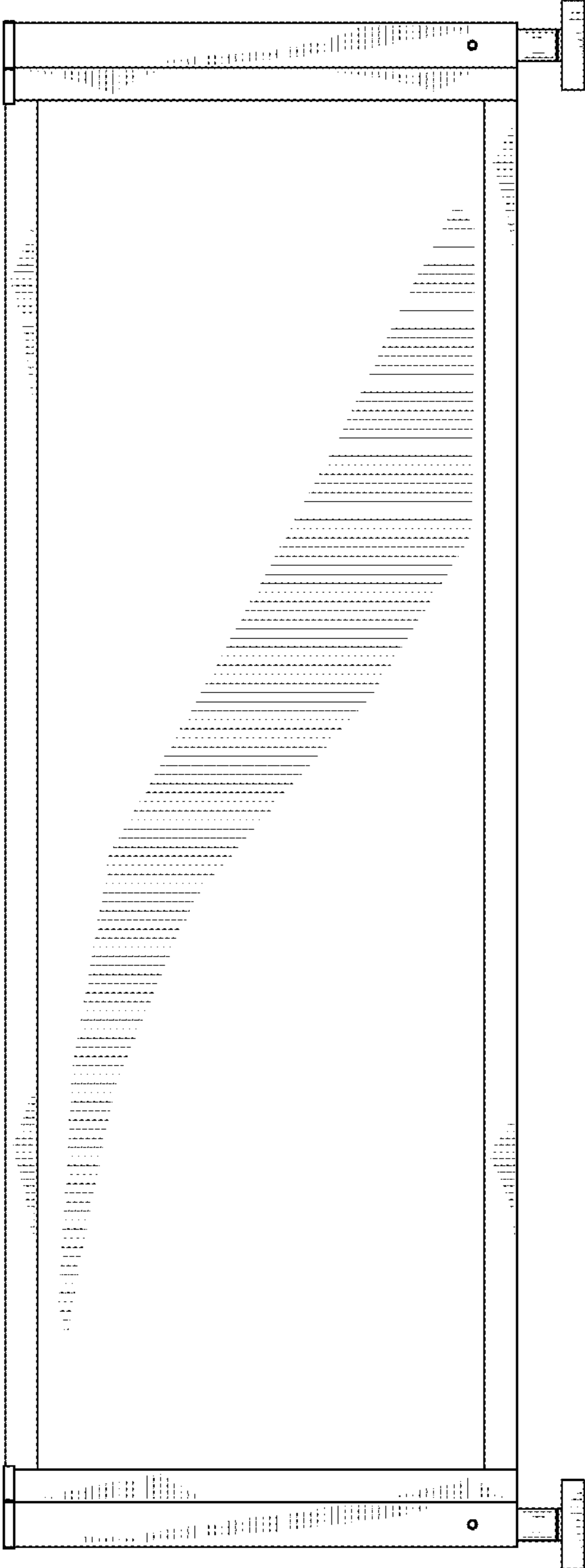


FIG. 3

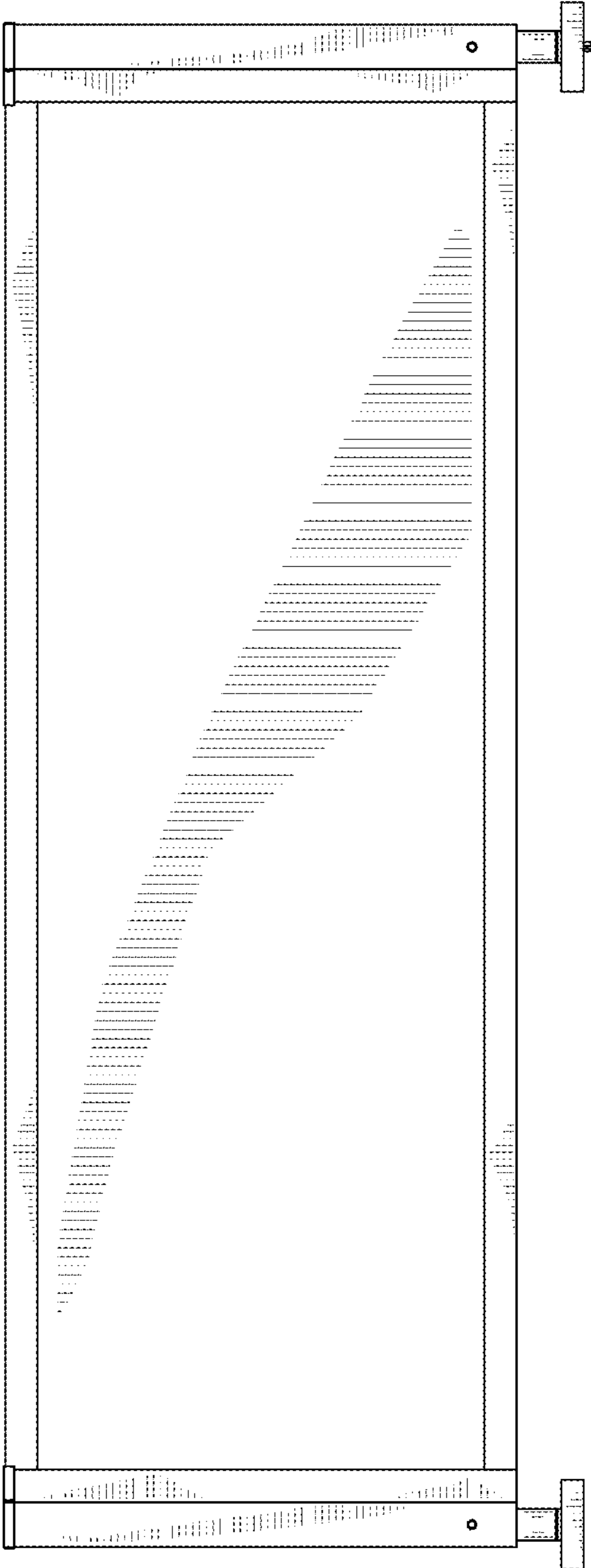


FIG. 4

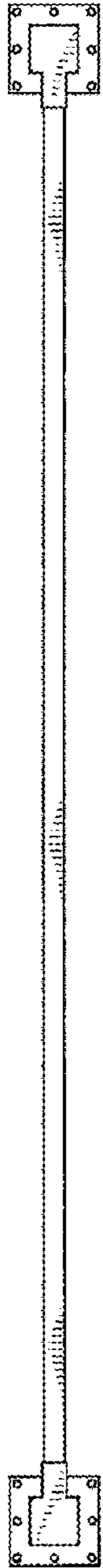


FIG. 5

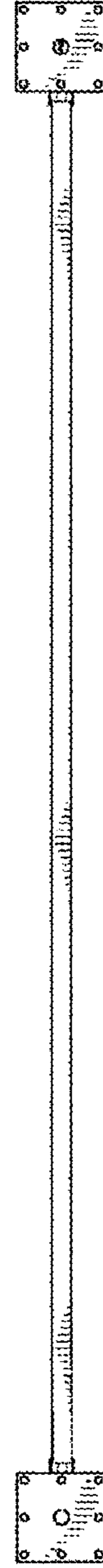


FIG. 7

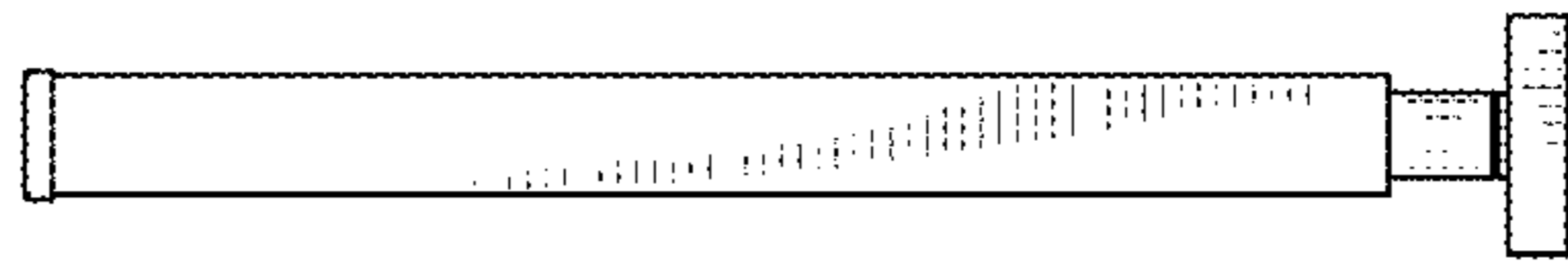


FIG. 6

