



US00D751647S

(12) **United States Design Patent**  
**Blumberg**

(10) **Patent No.:** **US D751,647 S**  
(45) **Date of Patent:** **\*\* Mar. 15, 2016**

(54) **COMBINED LABEL AND SEAL**

(71) Applicant: **Blumberg Excelsior, Inc.**, Brooklyn, NY (US)

(72) Inventor: **Robert H. Blumberg**, Brooklyn, NY (US)

(73) Assignee: **BLUMBERG EXCELSIOR, INC.**, Brooklyn, NY (US)

(\*\*) Term: **14 Years**

(21) Appl. No.: **29/499,107**

(22) Filed: **Aug. 12, 2014**

(51) **LOC (10) Cl.** ..... **19-08**

(52) **U.S. Cl.**  
USPC ..... **D20/28**

(58) **Field of Classification Search**  
USPC ..... D20/10, 11, 19, 22-28, 40, 99; D9/434, D9/457; D19/1, 9, 10, 65, 99; D18/15, 18, D18/19  
CPC ..... G09F 1/00; G09F 1/02; G09F 3/00; G09F 3/02; G09F 3/04; G09F 3/08; G09F 3/10; G09F 3/14; G09F 3/16; G09F 3/20; G09F 3/203; G09F 3/207; G09F 3/0288; G09F 3/0289; G09F 3/0297; G09F 3/0298; G09F 7/10; G09F 7/18; G09F 7/22; G09F 23/00; G09F 23/10; G09F 2003/0208; G09F 2003/0264; G09F 2003/0266; G09F 2003/0272; G09F 2003/0273; G09F 2003/0285; G09F 29/00  
See application file for complete search history.

4,327,512 A \* 5/1982 Oliver ..... A43B 1/0072 206/0.81

4,385,460 A \* 5/1983 Hanna ..... G06F 3/02 283/81

5,429,393 A \* 7/1995 Parlo ..... B42D 15/00 283/108

D394,080 S \* 5/1998 Chan ..... D18/14

D397,843 S \* 9/1998 LeRoy ..... D2/946

5,799,982 A \* 9/1998 McClure ..... G11B 23/40 283/72

6,240,990 B1 \* 6/2001 Claussnitzer ..... B65C 9/265 156/391

6,595,258 B2 \* 7/2003 Tracy ..... B65C 9/265 156/391

D500,343 S \* 12/2004 McRobbie ..... D20/28

2002/0114921 A1 \* 8/2002 Lee Clark ..... G09F 3/02 428/136

\* cited by examiner

*Primary Examiner* — Mary Ann Calabrese  
(74) *Attorney, Agent, or Firm* — Cowan, Liebowitz & Latman, P.C.; Mark Montague; Brian R. Volk

(57) **CLAIM**  
The ornamental design for a combined label for seal, as shown and described.

**DESCRIPTION**

FIG. 1 is a front perspective view of the combined label for seal showing my new design;  
FIG. 2 is a front view thereof;  
FIG. 3 is a top view thereof;  
FIG. 4 is a left side view thereof, the right side view being a mirror image thereof; and,  
FIG. 5 is a front perspective view of the combined label for seal being used with an embosser.  
The broken lines in the drawings illustrate environment and form no part of the claimed design.

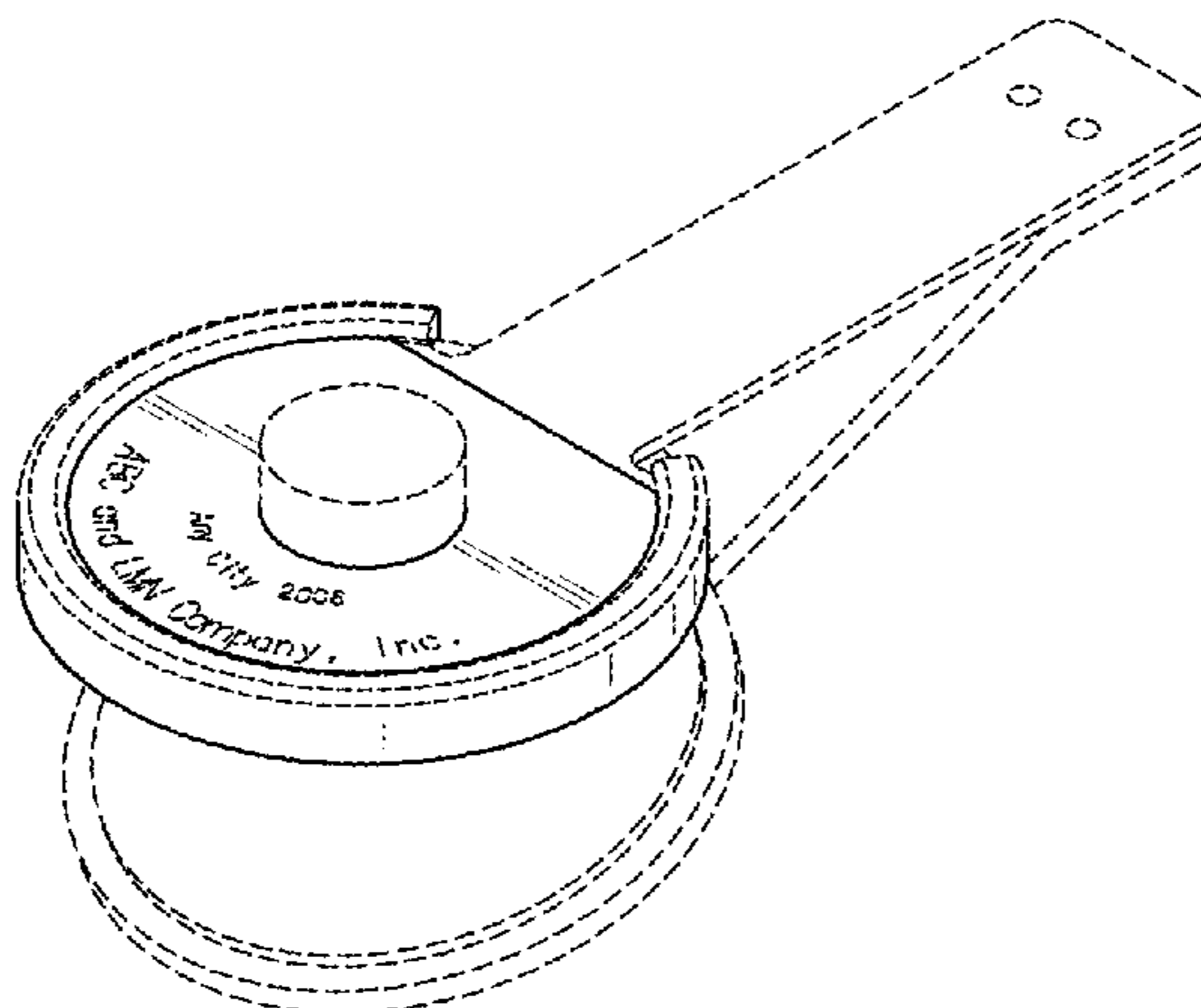
**1 Claim, 2 Drawing Sheets**

(56) **References Cited**

U.S. PATENT DOCUMENTS

1,306,905 A \* 6/1919 Jackson ..... B44B 5/0085 101/301

3,407,523 A \* 10/1968 Winston ..... G09F 3/18 359/514



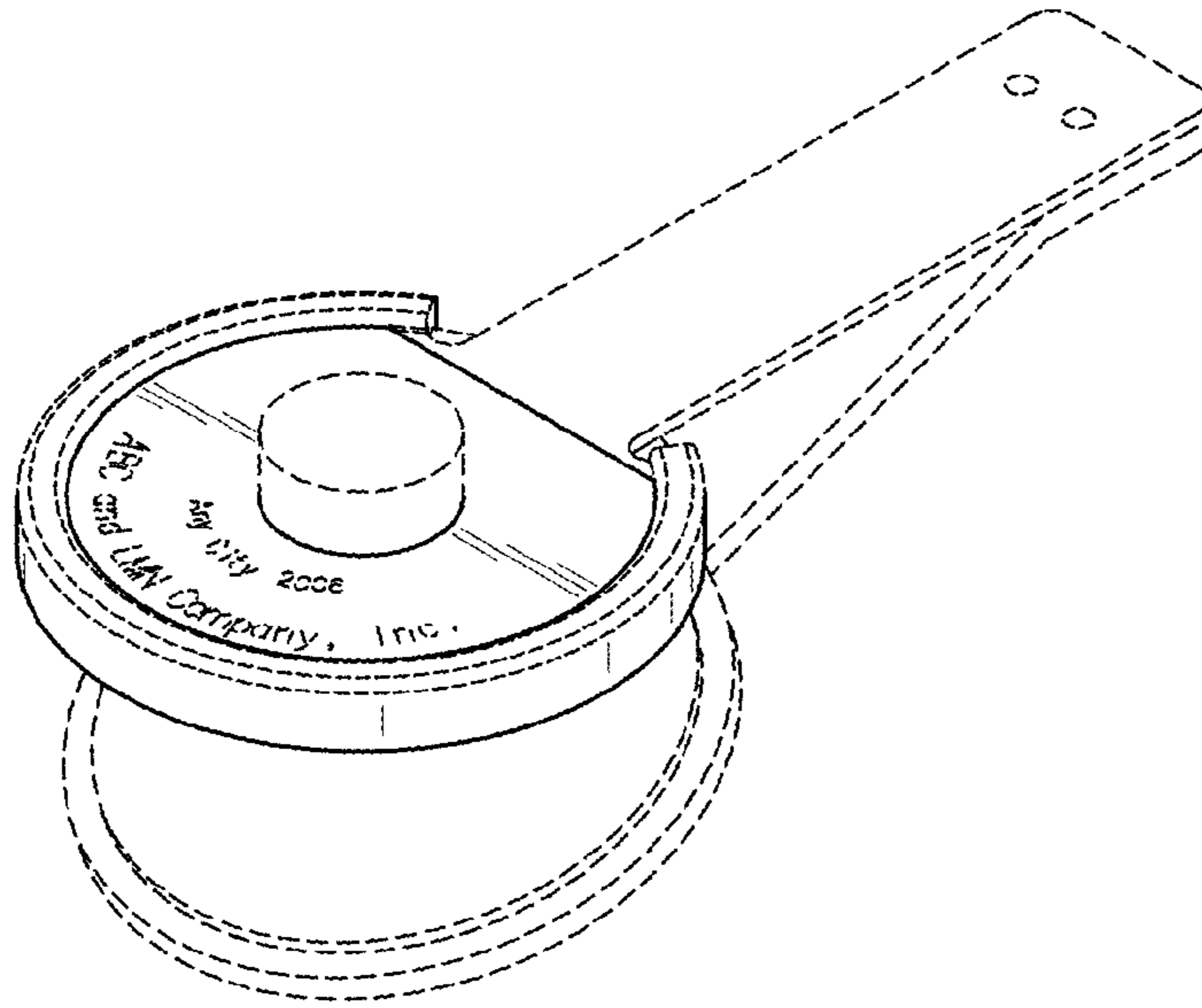


FIG. 1

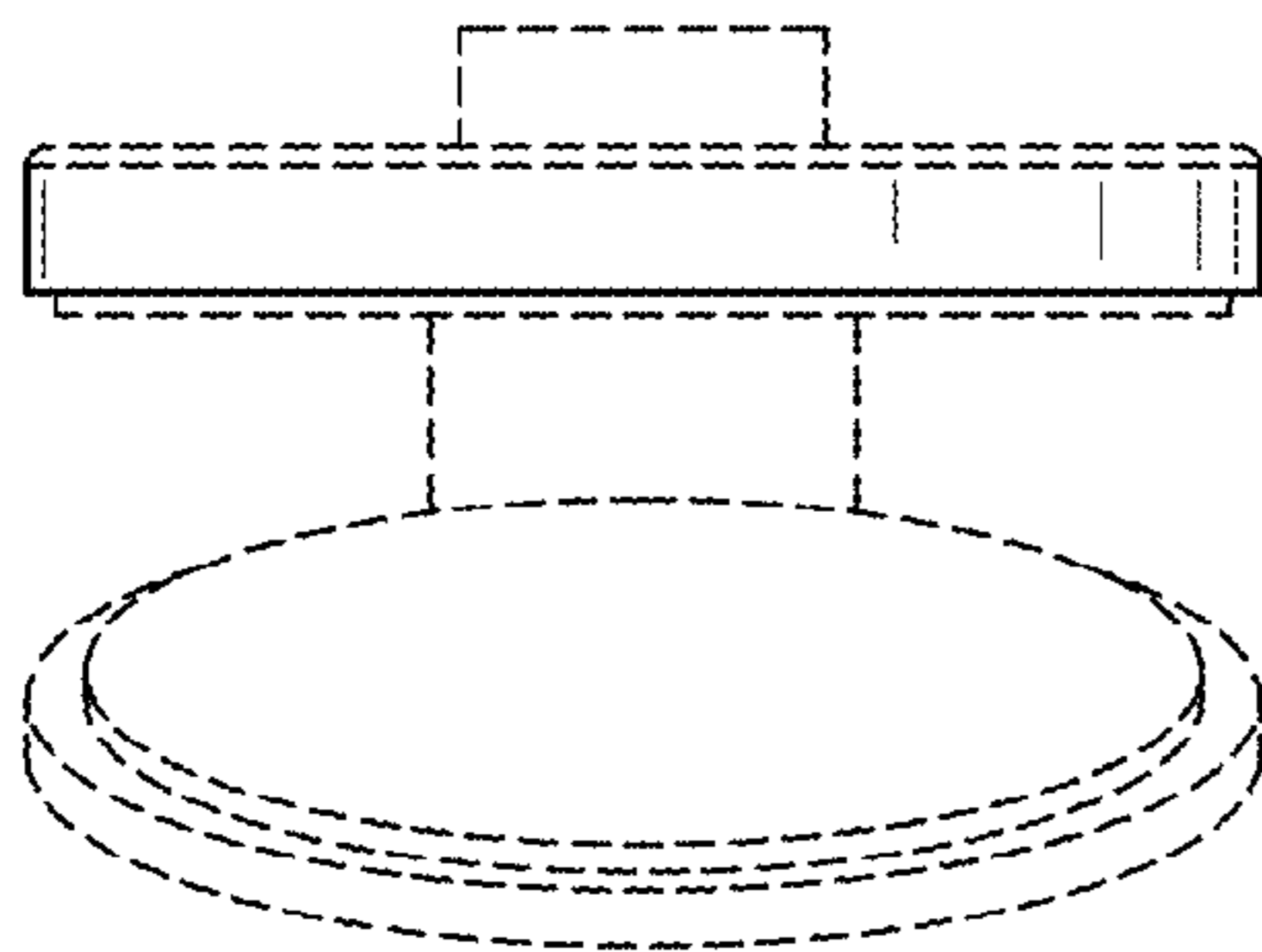


FIG. 3

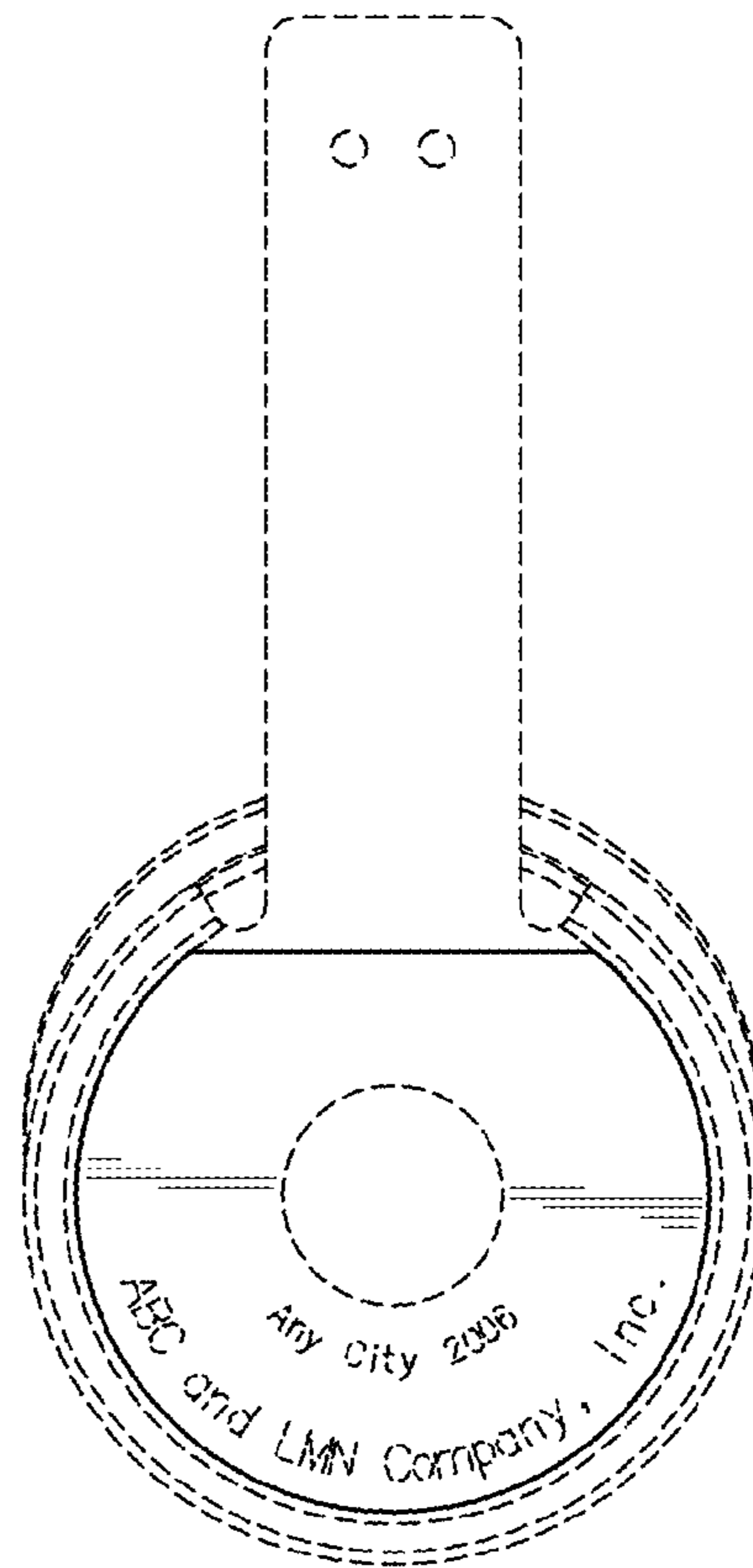


FIG. 2

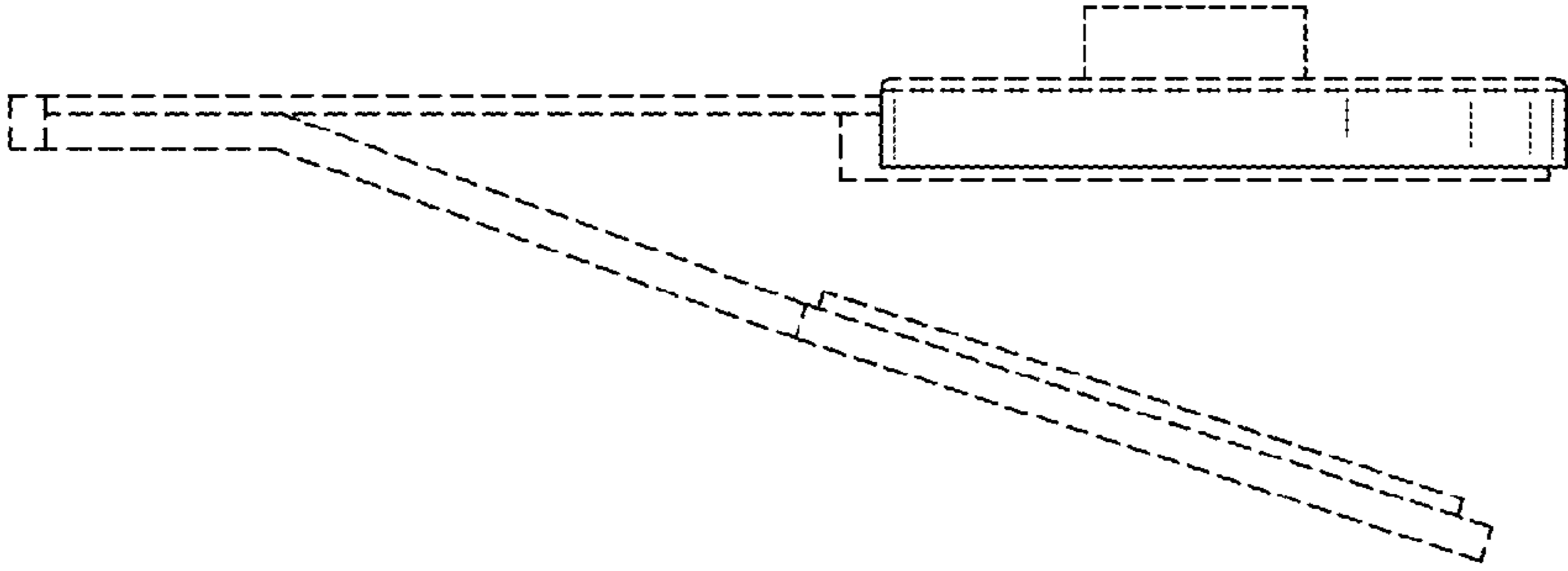


FIG. 4

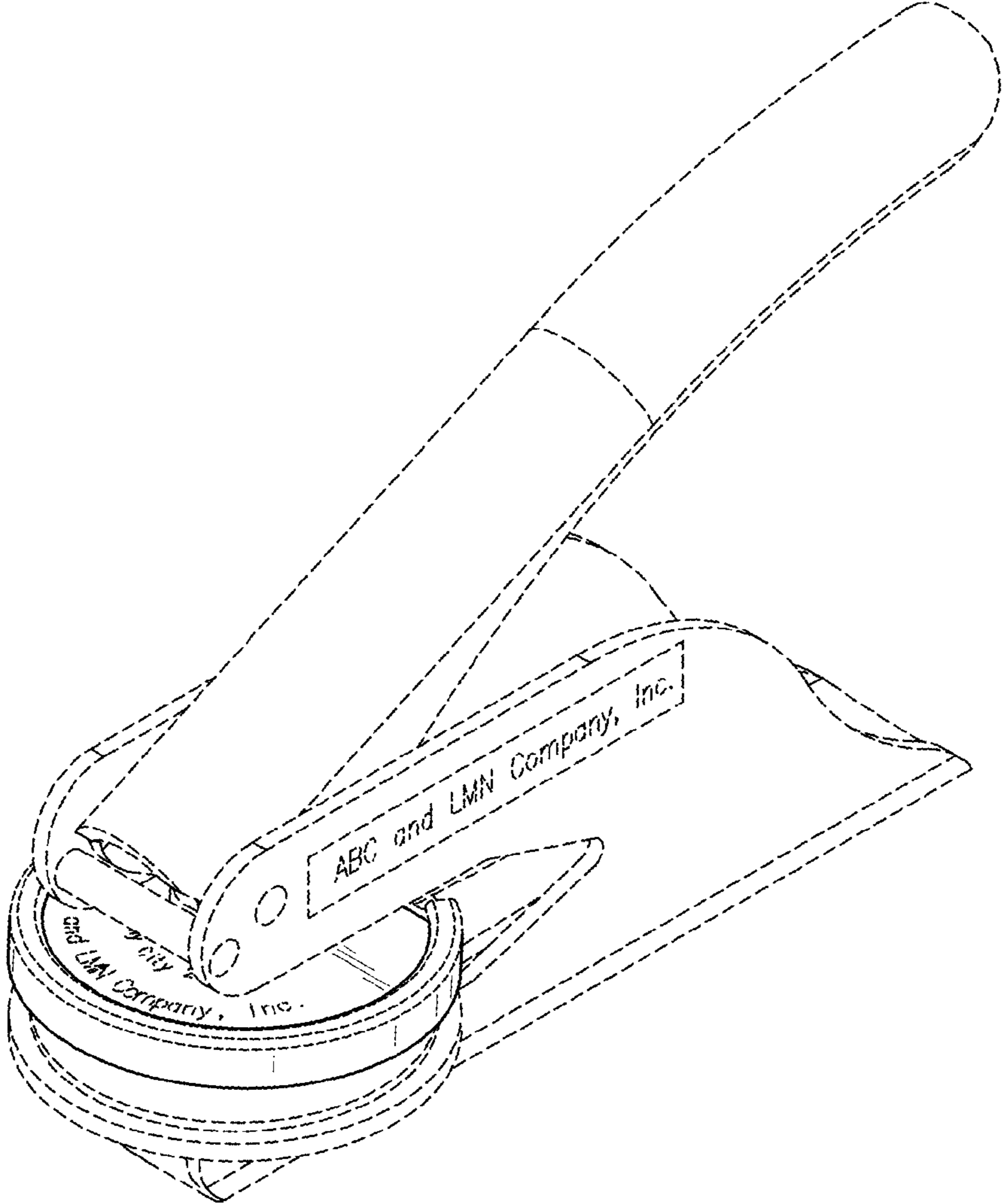


FIG. 5