



US00D751645S

(12) **United States Design Patent**  
**Manning, Jr.**

(10) **Patent No.:** **US D751,645 S**  
(45) **Date of Patent:** **\*\* Mar. 15, 2016**

- (54) **ERASER HOLDER**
- (71) Applicant: **John L. Manning, Jr.**, Dresher, PA (US)
- (72) Inventor: **John L. Manning, Jr.**, Dresher, PA (US)
- (\*\*) Term: **14 Years**
- (21) Appl. No.: **29/501,479**
- (22) Filed: **Sep. 4, 2014**

- 2,360,756 A \* 10/1944 Briggs ..... B65B 1/04  
141/392
- D140,735 S \* 4/1945 Kolberg et al. .... D27/157
- 3,395,418 A \* 8/1968 Malmo ..... A47L 13/312  
15/231
- 4,207,646 A 6/1980 Osborne
- D260,532 S \* 9/1981 Sakaoka ..... D19/187
- 4,543,680 A 10/1985 Vlahos
- D287,173 S \* 12/1986 Libman ..... D32/45
- D290,219 S \* 6/1987 Boone ..... D8/14
- D313,247 S \* 12/1990 Tsuji ..... D19/187
- 5,072,483 A 12/1991 Durand
- 5,365,631 A \* 11/1994 Emerick ..... A47L 13/46  
15/105
- 5,857,408 A \* 1/1999 Witter ..... B65F 1/1405  
100/265
- 5,862,748 A \* 1/1999 Witter ..... B65F 1/1405  
100/265
- D464,550 S \* 10/2002 Seppala ..... D8/14
- D532,315 S \* 11/2006 Moutinho ..... D9/725
- D538,472 S \* 3/2007 Angeletta ..... D28/7
- D687,494 S \* 8/2013 McVay-Kaiser ..... D19/141
- D688,953 S \* 9/2013 Korper ..... D28/7

**Related U.S. Application Data**

- (63) Continuation of application No. 13/841,410, filed on Mar. 15, 2013, now abandoned.
- (51) **LOC (10) Cl.** ..... **19-06**
- (52) **U.S. Cl.**  
USPC ..... **D19/202**
- (58) **Field of Classification Search**  
USPC ..... D32/52; D8/14, 71; D19/115-204, 75,  
D19/77, 99, 100; D28/7  
CPC ..... B43K 5/005; B43K 7/00; B43K 7/01;  
B43K 7/10; B43K 7/12; B43K 19/00; B43K  
19/02; B43K 8/04; B43L 19/00; B43L  
19/0056; B43L 19/0062; B43L 21/04  
See application file for complete search history.

\* cited by examiner

*Primary Examiner* — Elizabeth Albert  
(74) *Attorney, Agent, or Firm* — Robert C. Montgomery;  
Montgomery Patent

(57) **CLAIM**  
The ornamental design for an eraser holder, as shown and described.

(56) **References Cited**

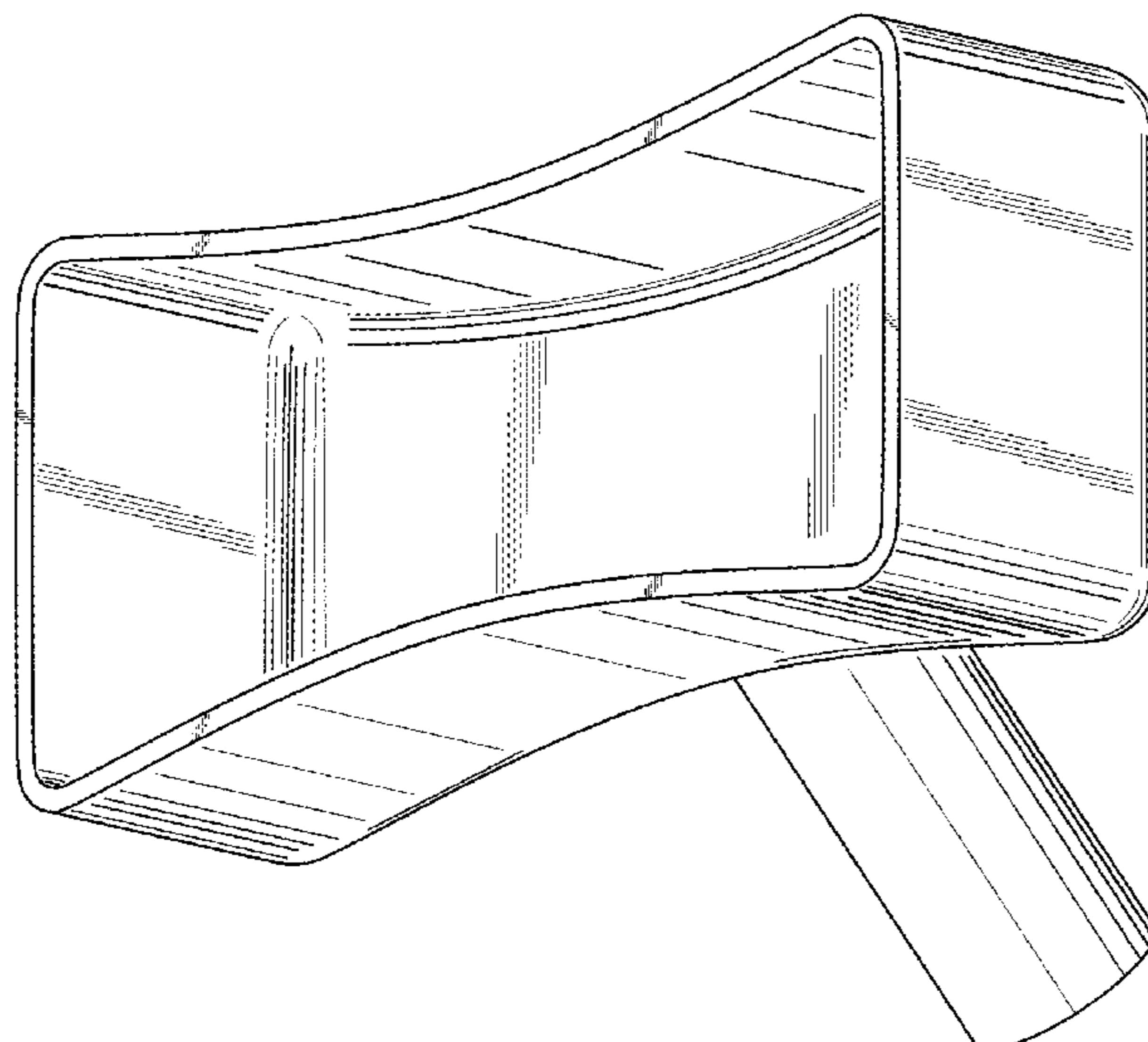
**U.S. PATENT DOCUMENTS**

- 578,289 A \* 3/1897 Ekholm ..... B43L 19/00  
15/105.52
- 865,764 A \* 9/1907 Creahan ..... B43L 19/0068  
15/434
- 1,750,912 A \* 3/1930 Towne ..... B43L 21/00  
401/19
- 1,942,283 A \* 1/1934 Hale ..... B43K 29/02  
15/105.51
- 2,039,410 A \* 5/1936 Harris ..... B43K 25/026  
15/432

**DESCRIPTION**

FIG. 1 is a perspective front view of the eraser holder, showing my new design;  
FIG. 2 is a front view thereof;  
FIG. 3 is a back view thereof;  
FIG. 4 is a right side view with the left side view being a mirror image thereof;  
FIG. 5 is a top view thereof; and,  
FIG. 6 is a bottom view thereof.

**1 Claim, 6 Drawing Sheets**



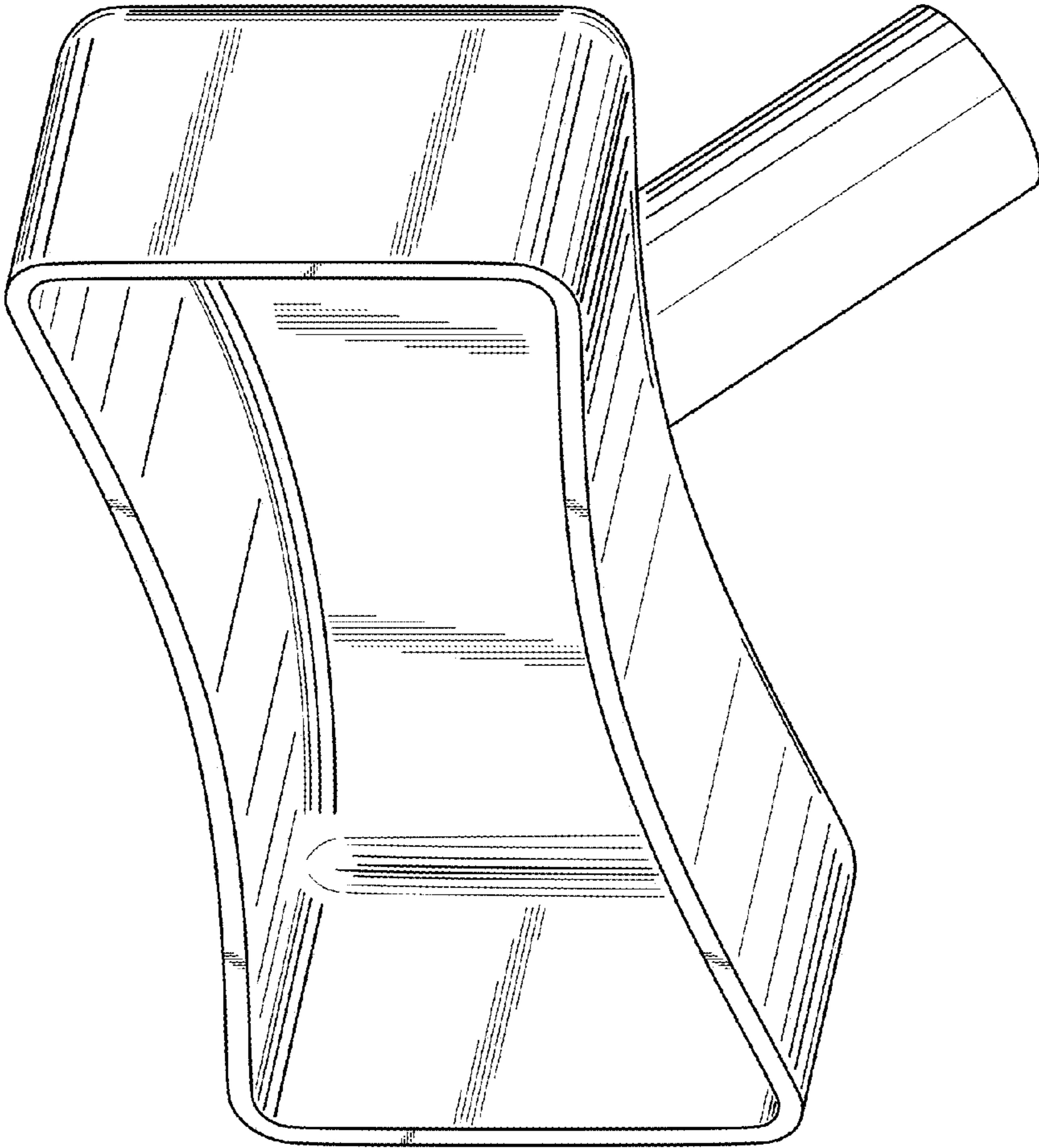


Fig. 1

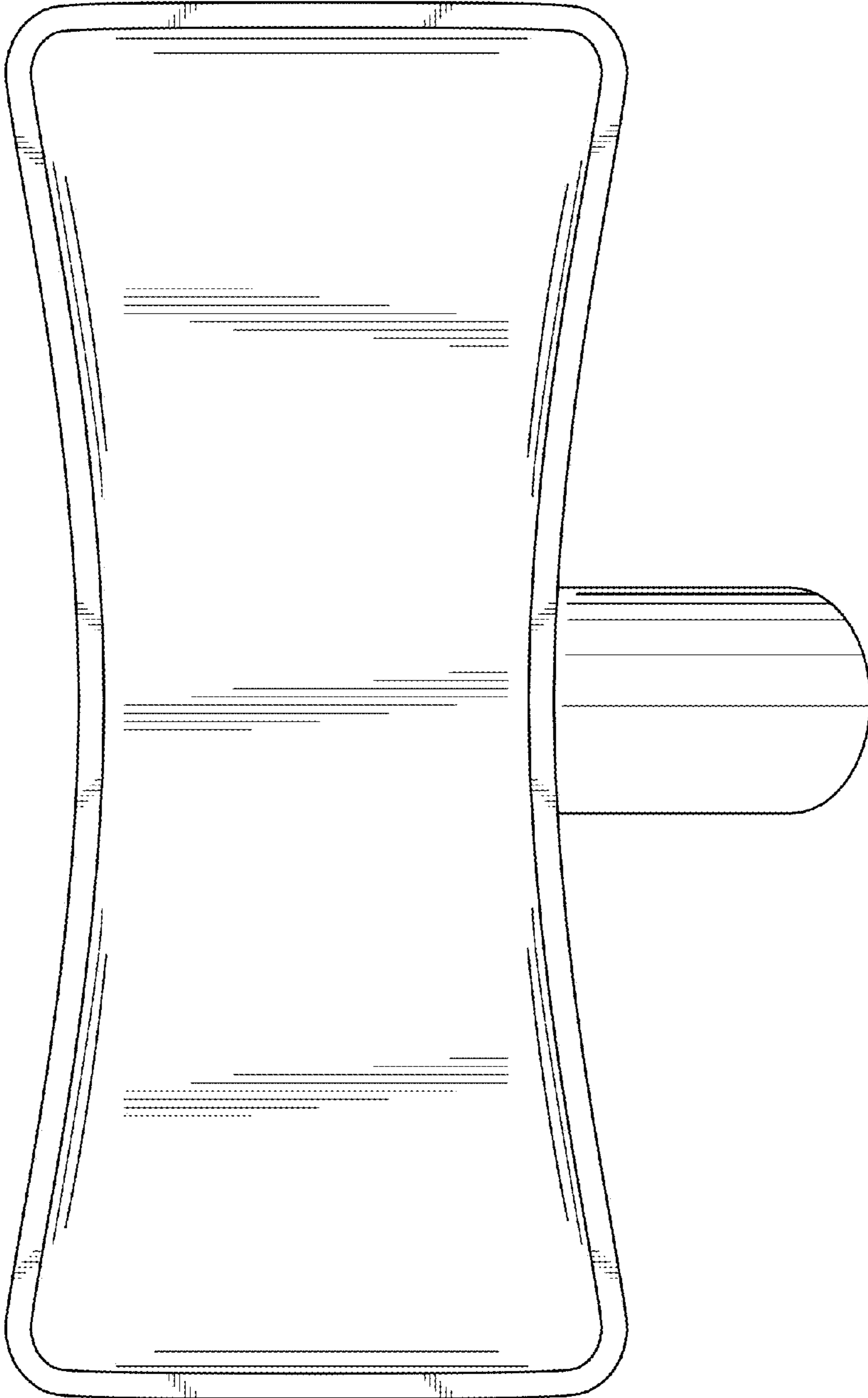


Fig. 2

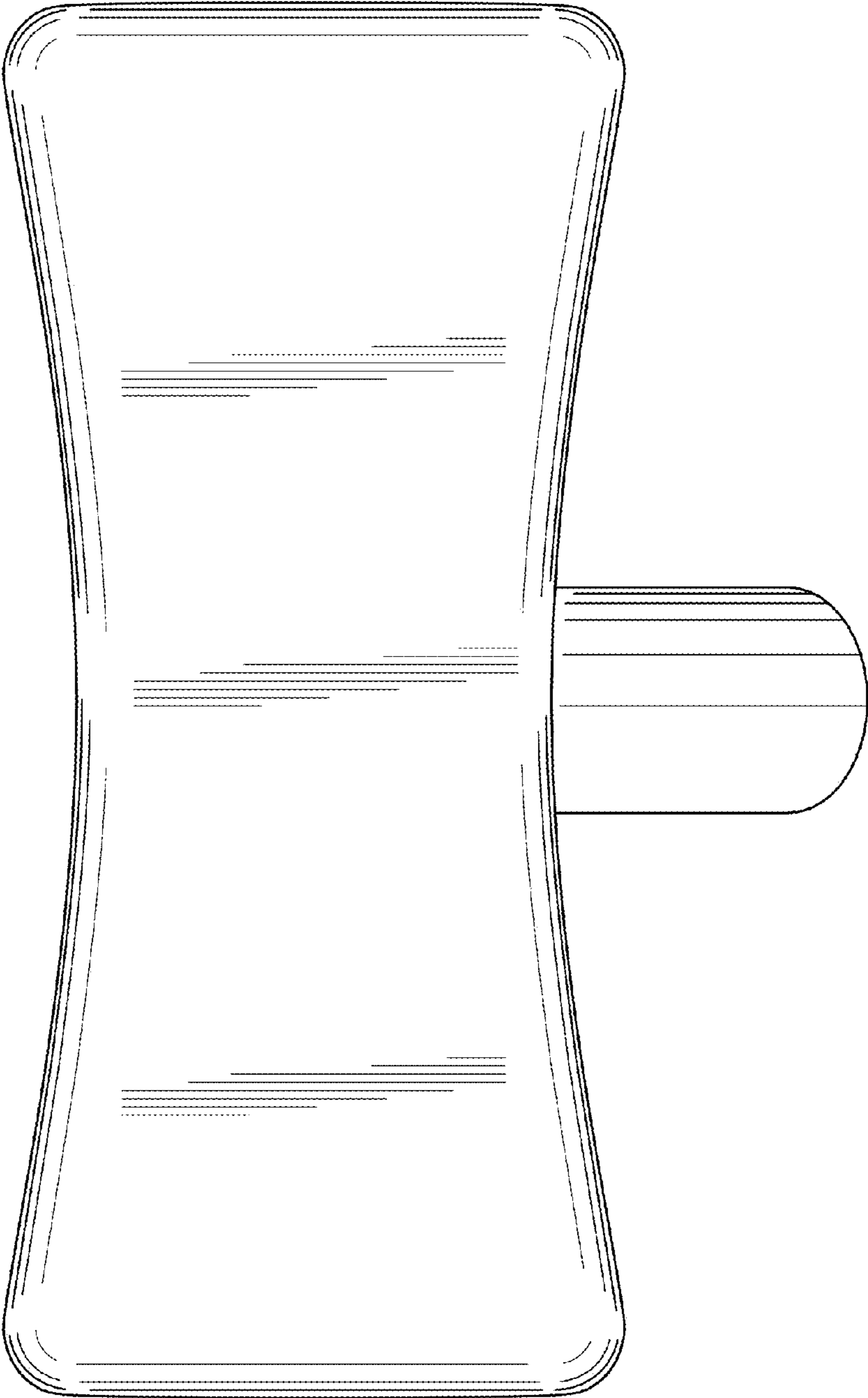


Fig. 3

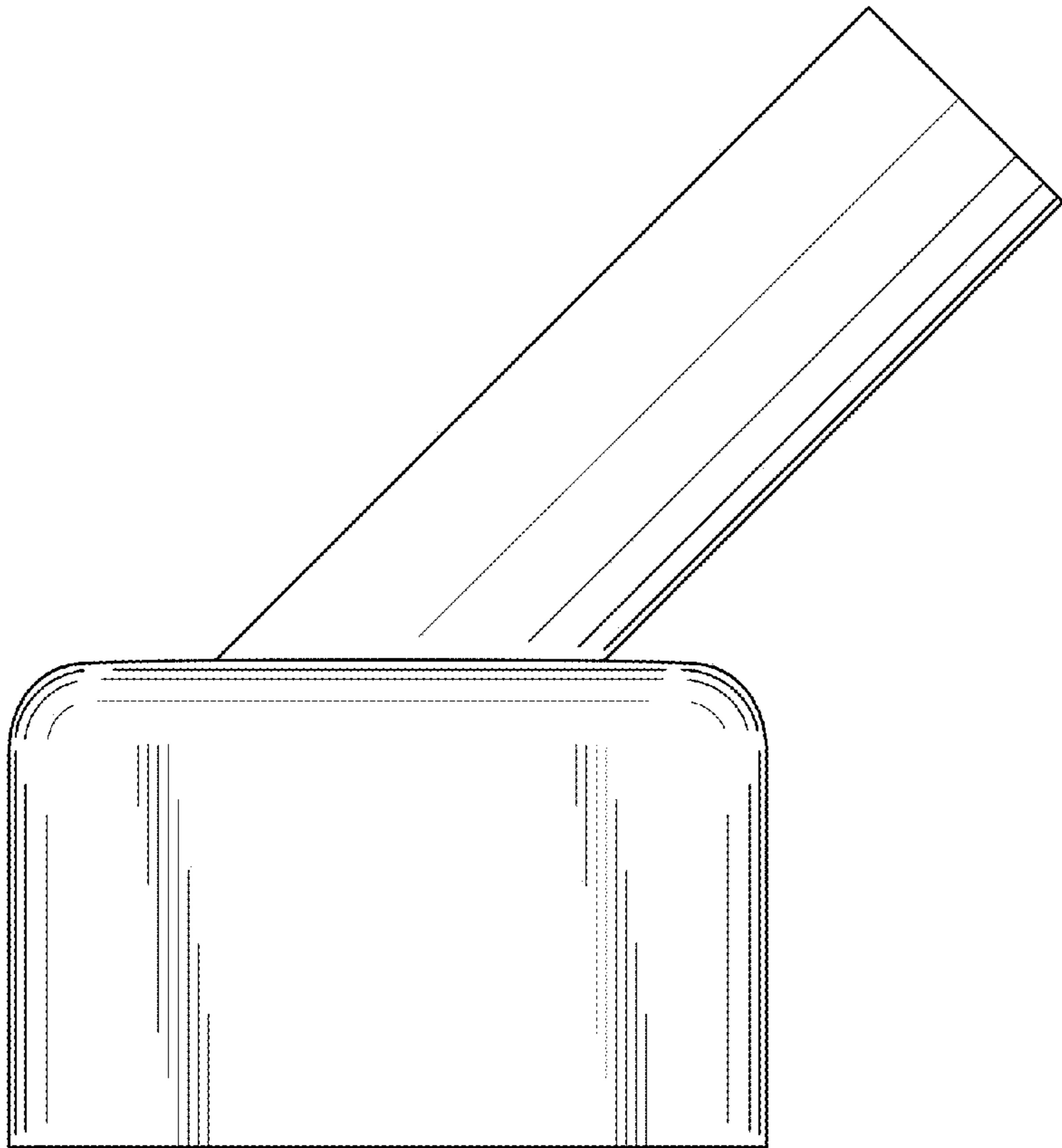


Fig. 4

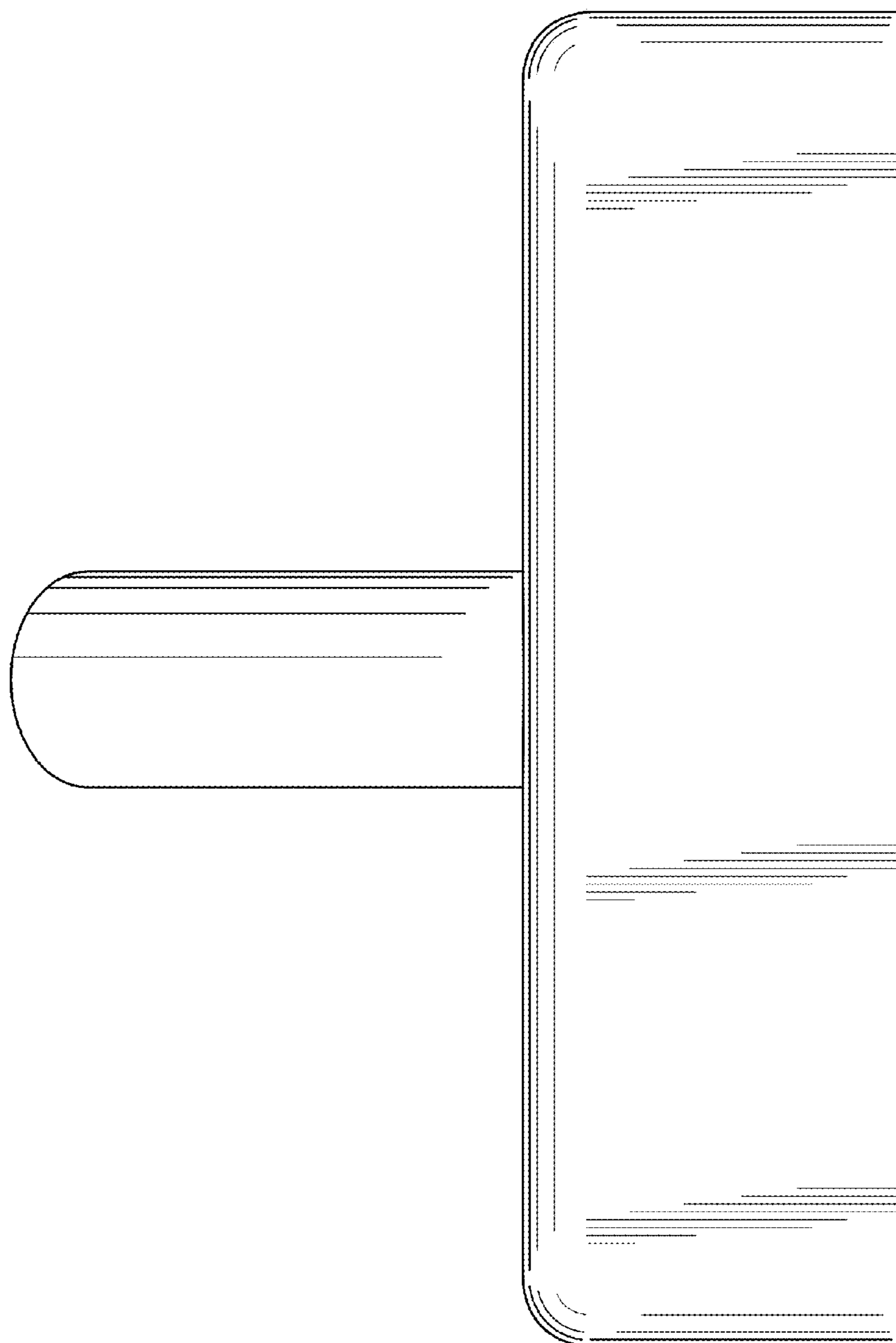


Fig. 5

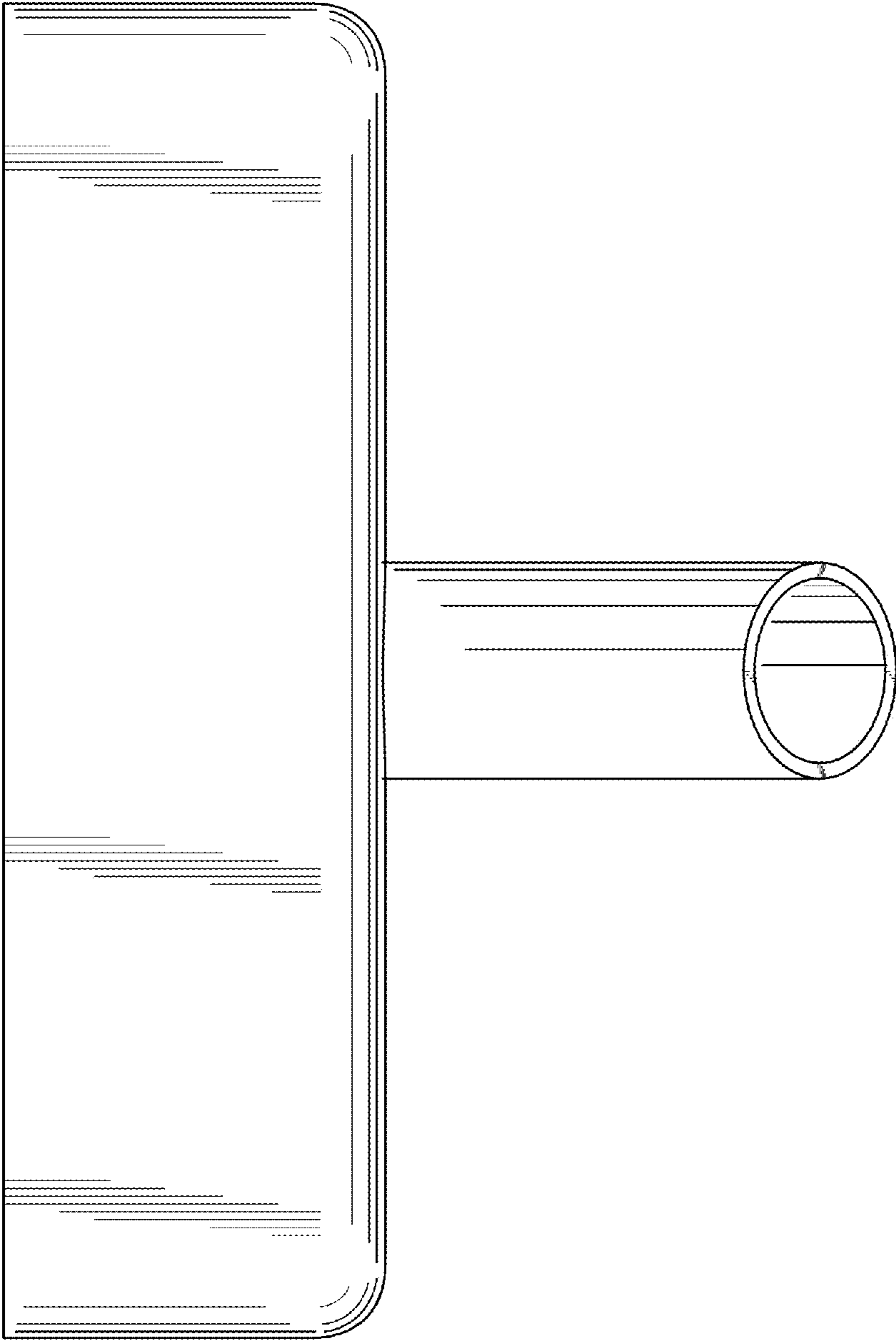


Fig. 6