

US00D751638S

(12) **United States Design Patent**  
**Chung et al.**

(10) **Patent No.:** **US D751,638 S**  
(45) **Date of Patent:** **\*\* Mar. 15, 2016**

(54) **PRINTER**

(71) Applicant: **Samsung Electronics Co., Ltd.**,  
Suwon-si (KR)  
(72) Inventors: **Won-Suk Chung**, Seoul (KR);  
**Jue-Hyun Jung**, Seoul (KR); **Yulie Cho**,  
Seoul (KR); **Fritz Frenkler**, Munich  
(DE); **Noriyuki Fujimura**, Seoul (KR);  
**Eun-Joo Mo**, Seongnam-si (KR);  
**Eung-Yul Lee**, Seoul (KR); **Sean**  
**Suckling**, Munich (DE); **Anette**  
**Ponholzer**, Munich (DE)

(73) Assignee: **Samsung Electronics Co., Ltd.**,  
Suwon-si (KR)

(\*\*) Term: **14 Years**

(21) Appl. No.: **29/511,378**

(22) Filed: **Dec. 10, 2014**

(30) **Foreign Application Priority Data**

Jun. 13, 2014 (KR) ..... 30-2014-0029020

(51) **LOC (10) Cl.** ..... **18-02**

(52) **U.S. Cl.**  
USPC ..... **D18/53**

(58) **Field of Classification Search**

USPC ..... D18/50, 53, 56, 59, 36, 38, 39, 40, 41,  
D18/45, 54, 34.4, 34.5, 34.6; D14/301, 307,  
D14/129, 130; 399/16, 75, 81, 131, 151,  
399/361, 365, 367, 381-385, 388; D99/28;  
D20/1, 10; D34/5-9  
CPC ... G06K 15/12; G06K 15/14; H04N 1/00204;  
H04N 1/00249; H04N 1/00278; B41J 3/00;  
B41J 3/28; B41J 3/445; B41J 3/46

See application file for complete search history.

(56) **References Cited**

U.S. PATENT DOCUMENTS

D174,904 S \* 6/1955 Haseloff ..... D18/53  
D179,434 S \* 12/1956 Wycoski ..... D6/661.2

(Continued)

FOREIGN PATENT DOCUMENTS

CN 3334255 \* 11/2003  
CN 3480788 \* 10/2005

(Continued)

OTHER PUBLICATIONS

Yanko Design. <URL:http://www.yankodesign.com/2010/11/15/  
bus-station-navigation-system/>. Nov. 15, 2010. Kiosk with upper  
screen and curved transition.\*

(Continued)

*Primary Examiner* — Bridget L Eland  
*Assistant Examiner* — Lauren McVey  
(74) *Attorney, Agent, or Firm* — NSIP Law

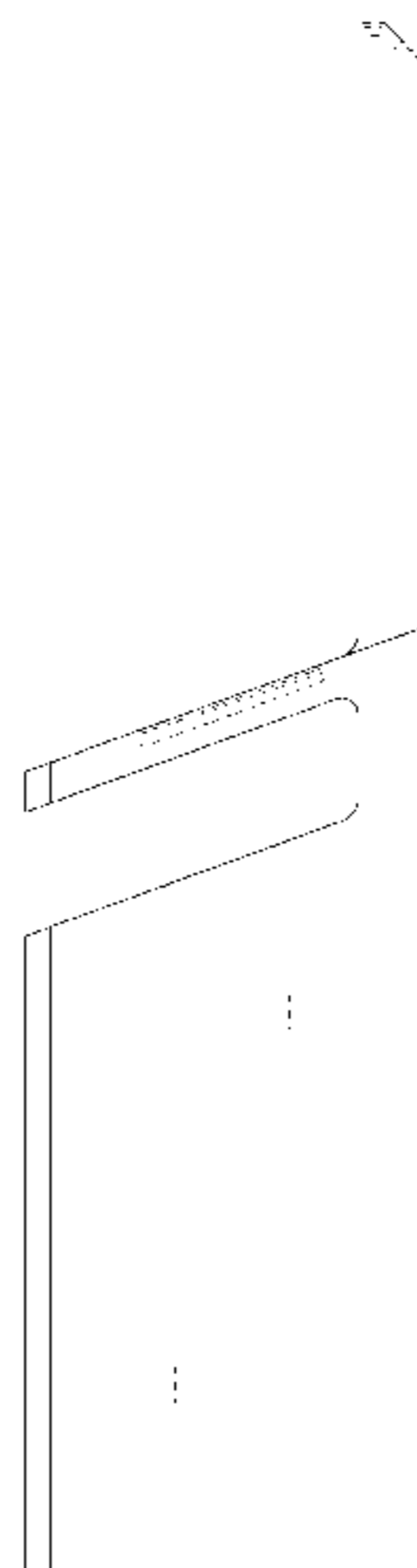
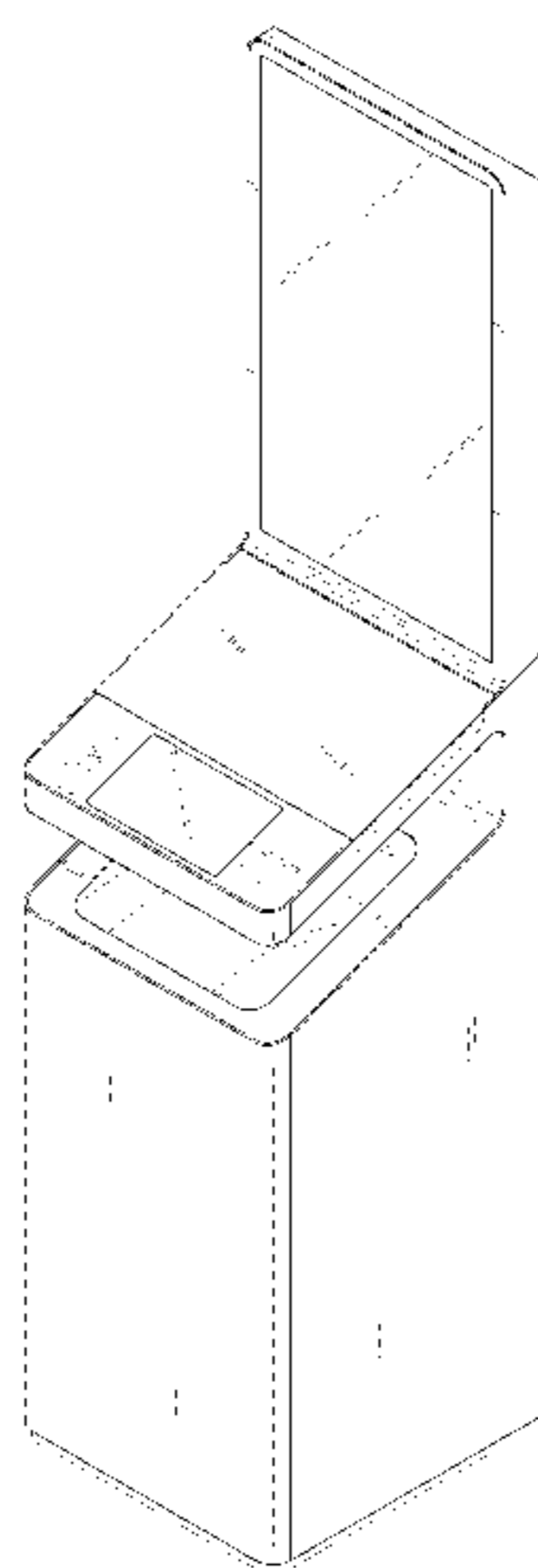
(57) **CLAIM**

We claim the ornamental design for a printer, as shown and  
described.

**DESCRIPTION**

FIG. 1 is a front perspective view of a printer showing our new  
design;  
FIG. 2 is a front view thereof;  
FIG. 3 is a rear view thereof;  
FIG. 4 is a left-side view thereof;  
FIG. 5 is a right-side view thereof;  
FIG. 6 is a top view thereof;  
FIG. 7 is a bottom view thereof; and,  
FIG. 8 is an enlarged view of the encircled portion in FIG. 6.  
The broken lines in the figures show portions of the printer  
which form no part of the claimed design. The dot-dash  
broken lines encircling portions of the claimed design in FIG.  
6 that are illustrated in an enlargement in FIG. 8 form no part  
of the claimed design.

**1 Claim, 5 Drawing Sheets**



(56)

References Cited

U.S. PATENT DOCUMENTS

D201,361 S \* 6/1965 Wiener ..... D14/303  
 D232,866 S \* 9/1974 Mann ..... D18/53  
 D283,323 S \* 4/1986 Cervero ..... D14/451  
 D286,051 S \* 10/1986 Nakano ..... D18/53  
 4,752,803 A \* 6/1988 Sakurai ..... G03G 15/221  
 399/1  
 D304,207 S \* 10/1989 Wistrand ..... D20/2  
 D313,051 S \* 12/1990 Haker ..... D14/302  
 D377,170 S \* 1/1997 Wilson ..... D14/130  
 6,163,668 A \* 12/2000 Takahashi ..... G03G 15/221  
 345/156  
 D447,768 S \* 9/2001 Shiozaki ..... D18/53  
 D478,117 S \* 8/2003 Funato ..... D18/39  
 D578,154 S \* 10/2008 Isogai ..... D18/40  
 D605,221 S \* 12/2009 Stenzel ..... D18/53  
 D639,800 S \* 6/2011 Magruder ..... D14/307  
 D646,269 S \* 10/2011 Crick, Jr. .... D14/307  
 D684,793 S \* 6/2013 Kikkert ..... D6/674  
 D693,407 S \* 11/2013 d'Amore ..... D20/8  
 D702,237 S \* 4/2014 Oberpriller ..... D14/420

D707,674 S \* 6/2014 Daniel ..... D14/307  
 D724,658 S \* 3/2015 Sakai ..... D18/53  
 D732,109 S \* 6/2015 Chung ..... D18/50  
 D732,521 S \* 6/2015 Chadbourne ..... D14/307  
 D732,606 S \* 6/2015 Chung ..... D18/50  
 2008/0003010 A1 \* 1/2008 Isogai ..... H04N 1/00477  
 399/81

FOREIGN PATENT DOCUMENTS

CN 300908818 \* 4/2009  
 CN 301199983 \* 5/2010  
 CN 302010956 \* 7/2012  
 EM 000329982-0012 \* 6/2005  
 EM 001378517-0001 \* 8/2013

OTHER PUBLICATIONS

Coroflot of Stanislav Tsybulsky. <URL: <http://www.coroflot.com/stanislavtsybulsky/POSM-Sketches>>. Oct. 3, 2012. Interactive Display CAD.\*

\* cited by examiner

FIG.1

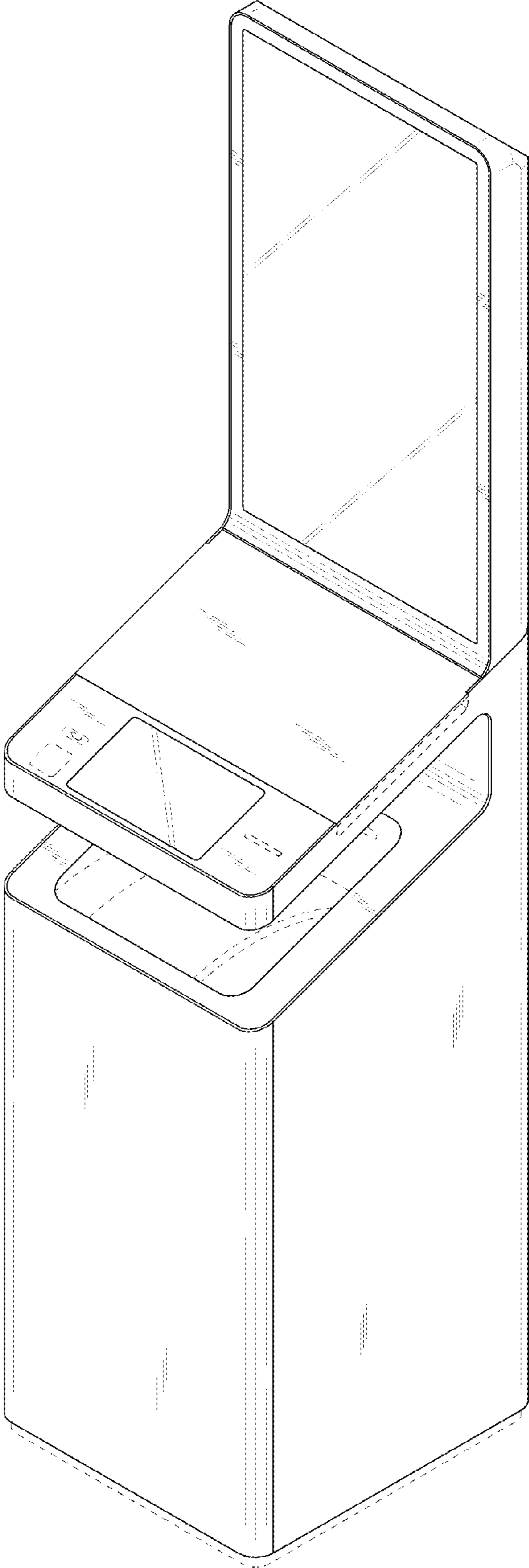


FIG.2

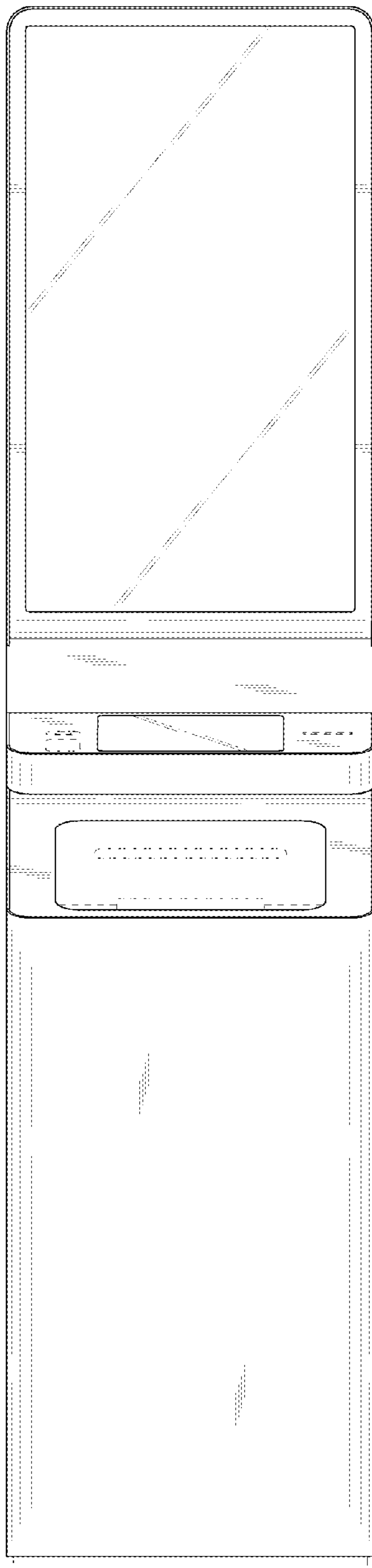


FIG.3

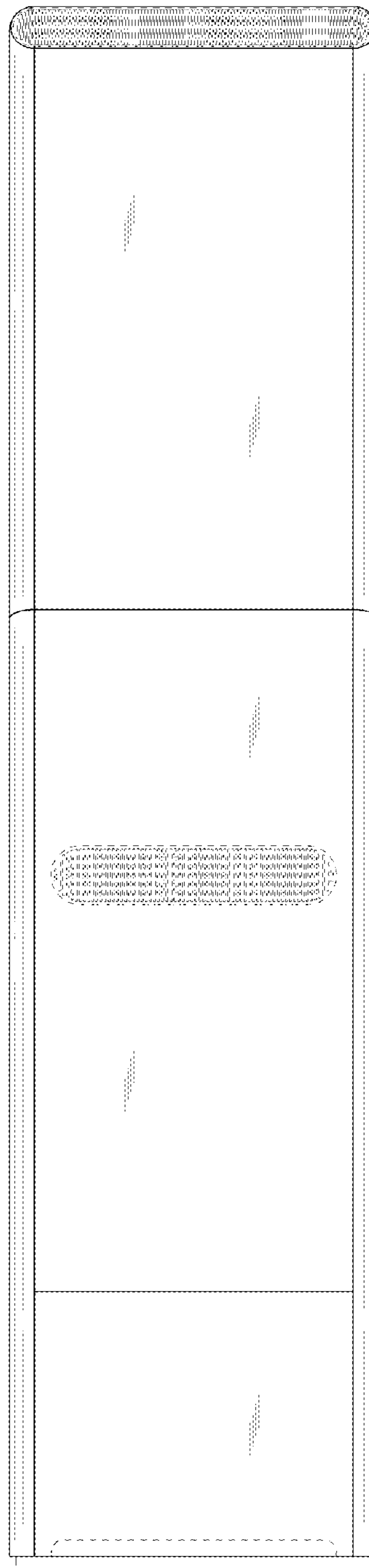


FIG.4

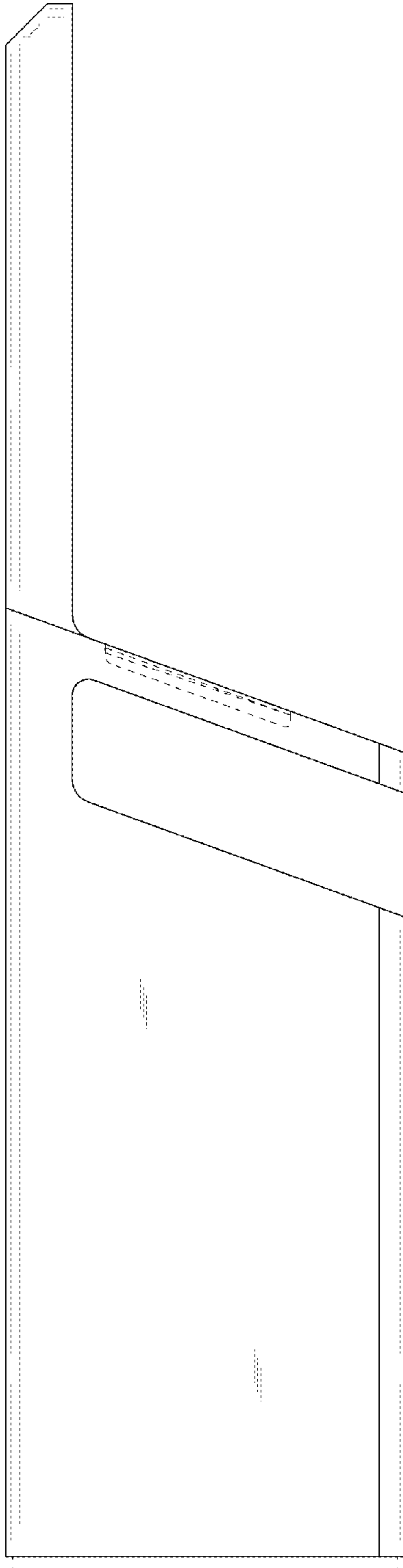


FIG.5

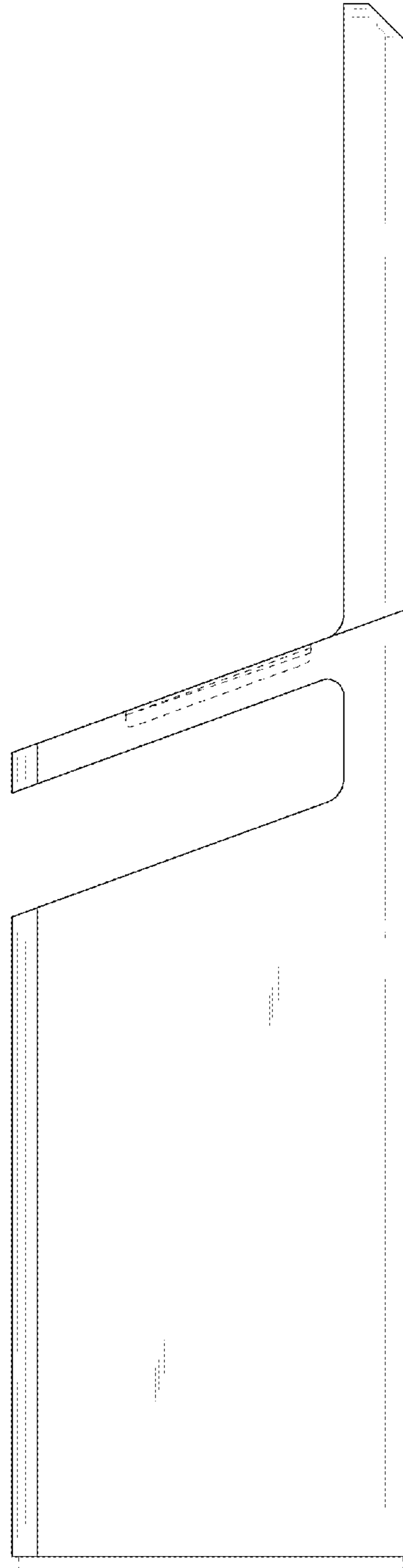


FIG.6

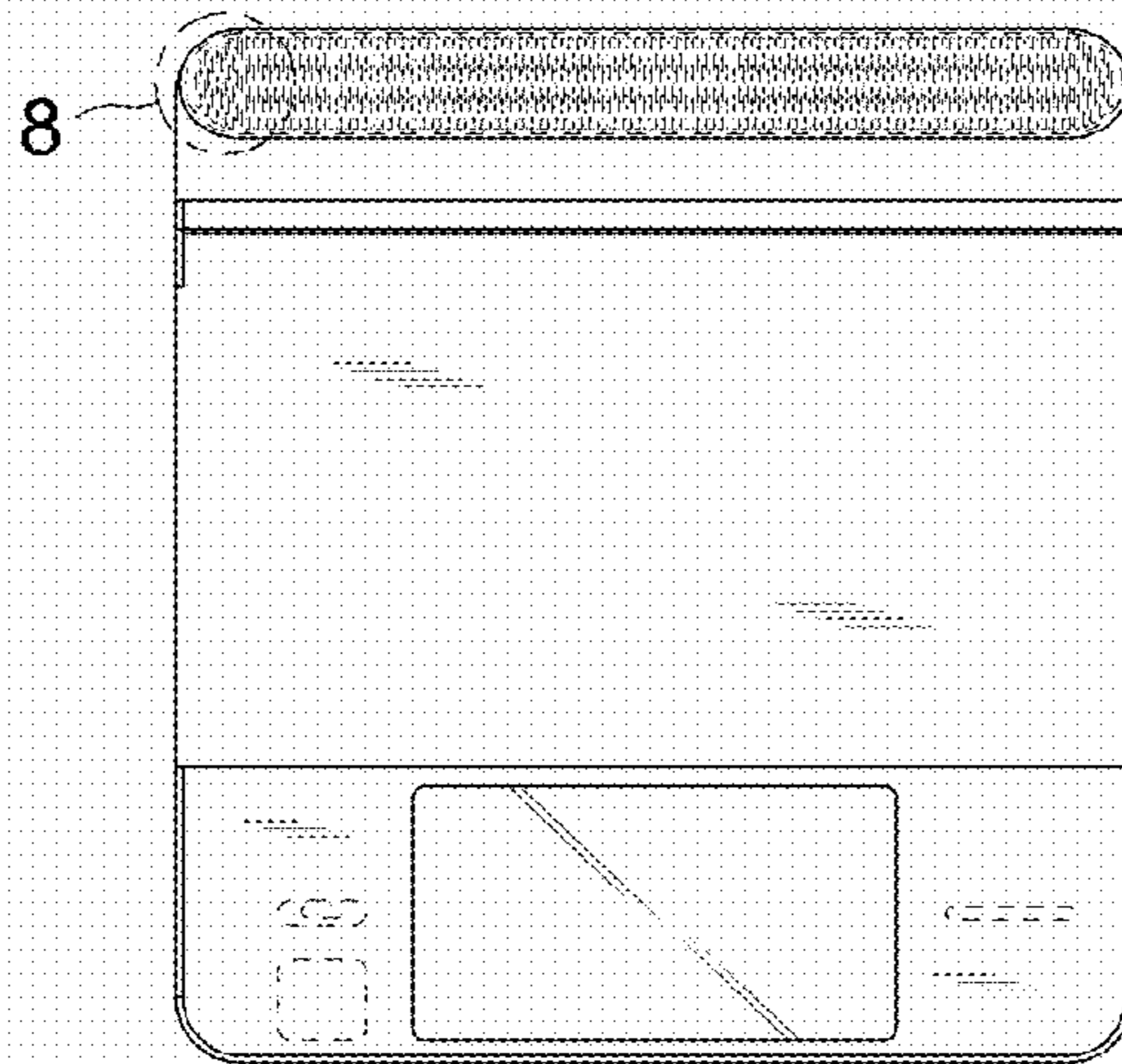


FIG.7

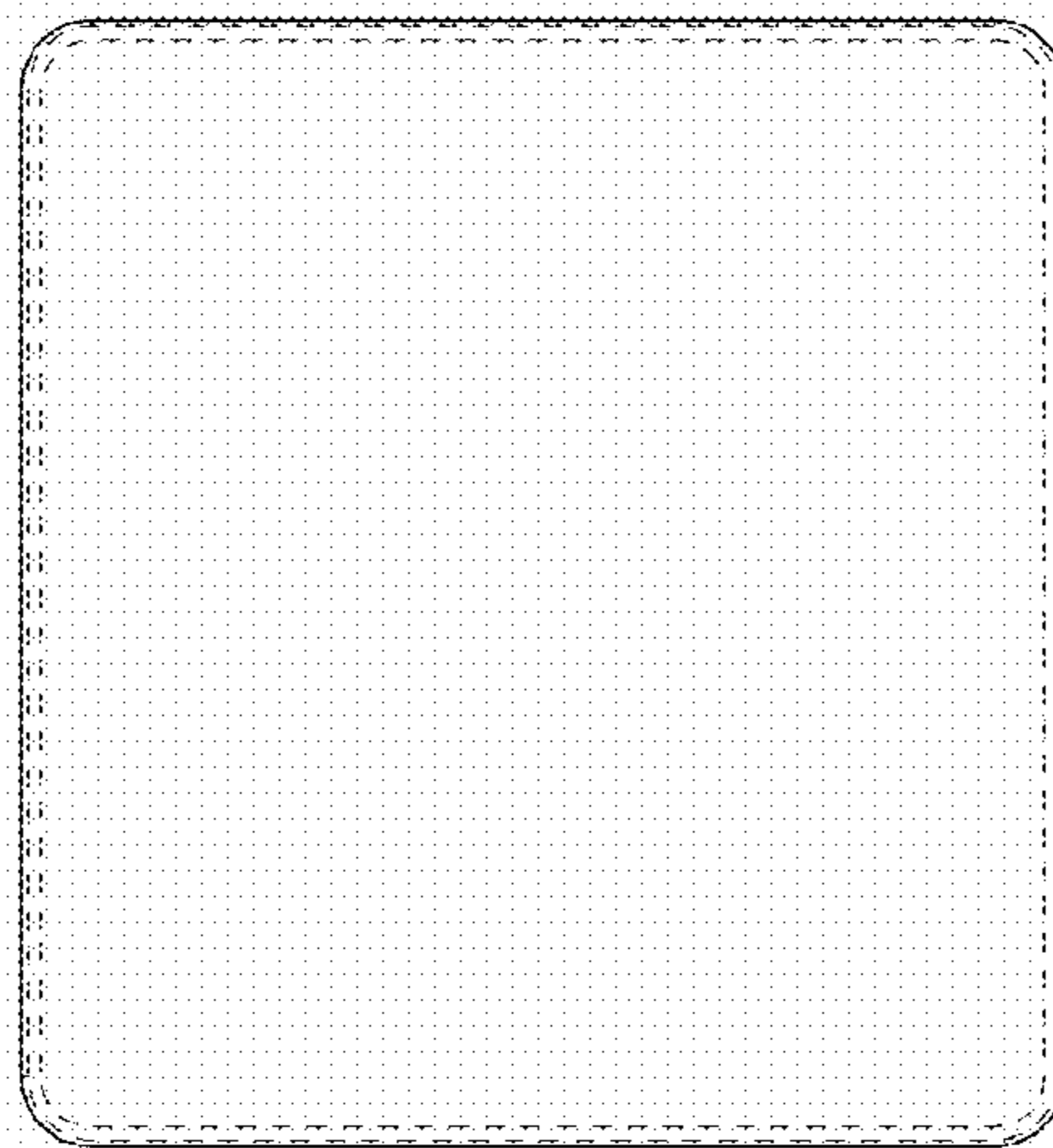


FIG.8

