



US00D751637S

(12) **United States Design Patent**  
**Cesar et al.**

(10) **Patent No.:** **US D751,637 S**  
(45) **Date of Patent:** **\*\* \*Mar. 15, 2016**

(54) **PRINTER**

(56) **References Cited**

(71) Applicant: **Hewlett-Packard Development Company, L.P.**, Houston, TX (US)  
(72) Inventors: **Javier Alfonso Cesar**, Barcelona (ES); **Xavi Cortadellas**, Barcelona (ES); **Aviv Hassidov**, Barcelona (ES); **Inigo Benjamin Oraa Gil**, Barcelona (ES)  
(73) Assignee: **Hewlett-Packard Development Company, L.P.**, Houston, TX (US)

U.S. PATENT DOCUMENTS

4,996,651	A	*	2/1991	Wells	.....	358/1.3
5,092,696	A	*	3/1992	Armiroli et al.	.....	400/611
5,117,242	A	*	5/1992	Matsushima	.....	346/136
D347,239	S	*	5/1994	Okamoto et al.	.....	D18/53
D350,973	S	*	9/1994	Lucker	.....	D18/39
D408,848	S	*	4/1999	Flores et al.	.....	D18/53
D445,126	S	*	7/2001	Shimizu	.....	D18/53
D450,755	S	*	11/2001	Gimenez et al.	.....	D18/53
D529,545	S	*	10/2006	Kimura et al.	.....	D18/53
D544,533	S	*	6/2007	Moliner et al.	.....	D18/53
D561,823	S	*	2/2008	Morillo et al.	.....	D18/53
D595,345	S	*	6/2009	Yagi et al.	.....	D18/53
D619,165	S	*	7/2010	Sakurai	.....	D18/53

(\*) Notice: This patent is subject to a terminal disclaimer.

\* cited by examiner

*Primary Examiner* — Bridget L Eland

(\*\*) Term: **14 Years**

(57) **CLAIM**

We claim the ornamental design for a printer, as shown and described.

(21) Appl. No.: **29/456,626**

**DESCRIPTION**

(22) Filed: **May 31, 2013**

(51) **LOC (10) Cl.** ..... **18-02**

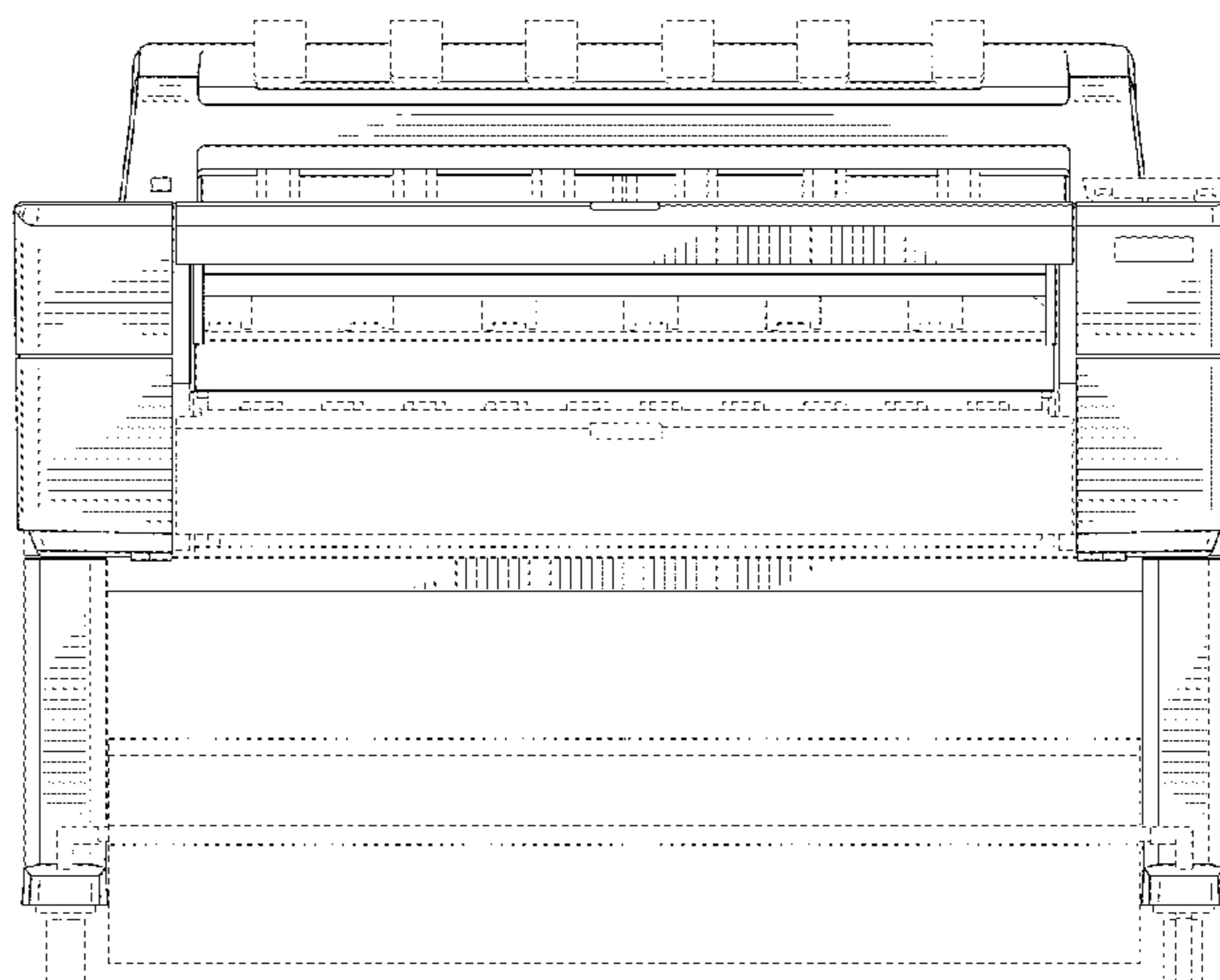
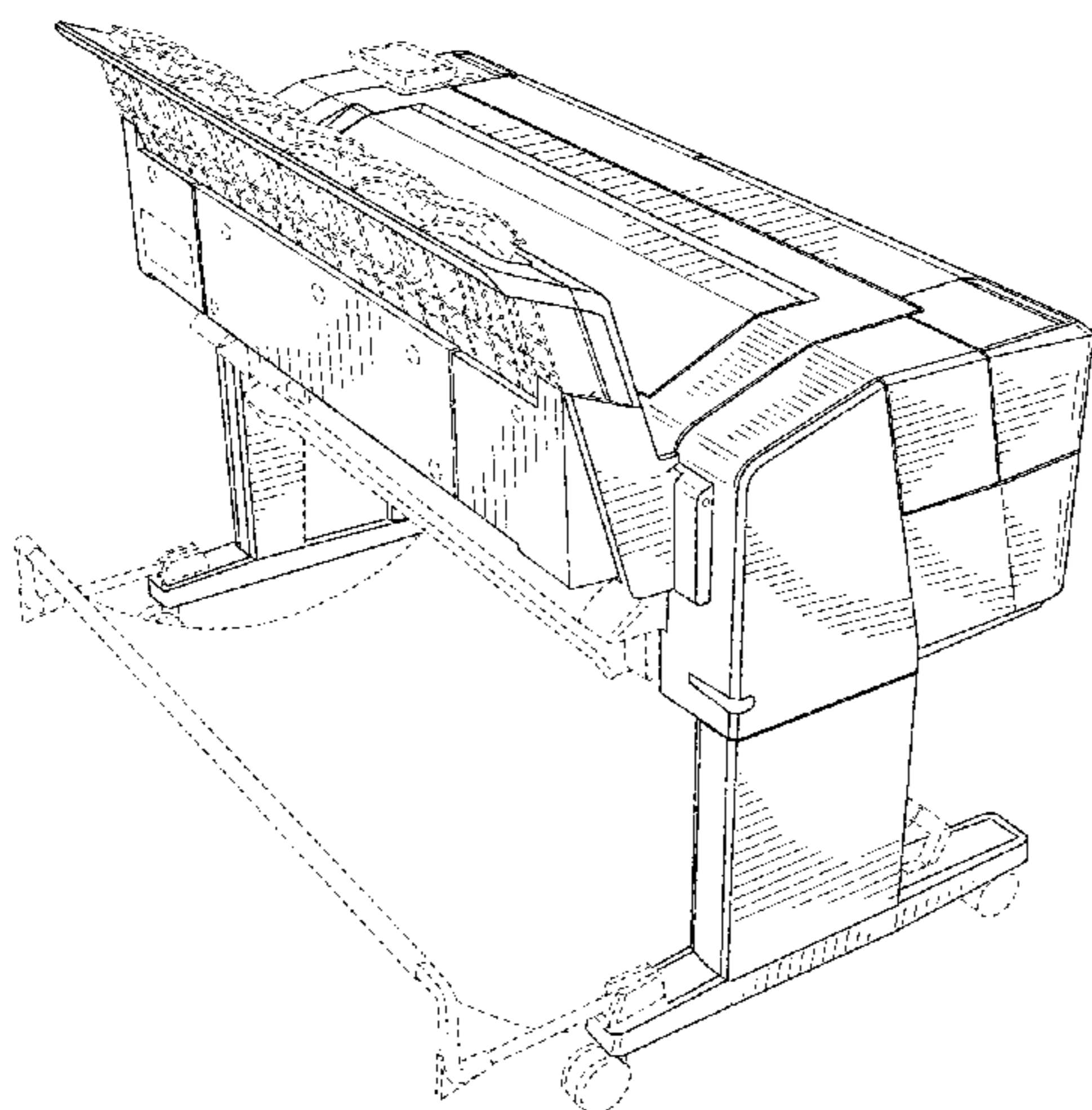
(52) **U.S. Cl.**  
USPC ..... **D18/53**

(58) **Field of Classification Search**  
USPC ..... D18/53, 56, 59, 36, 38, 39, 40, 41, 45;  
D14/301, 307; 399/16, 75, 81, 131,  
399/151, 361, 365, 367, 381-385, 388  
CPC ... G06K 15/12; G06K 15/14; H04N 1/00204;  
H04N 1/00249; H04N 1/00278

FIG. 1 is a front perspective view of a printer;  
FIG. 2 is a rear perspective view thereof;  
FIG. 3 is a front view thereof;  
FIG. 4 is a rear view thereof;  
FIG. 5 is a right side view thereof;  
FIG. 6 is a left side view thereof;  
FIG. 7 is a top view thereof; and,  
FIG. 8 is a bottom view thereof.  
The broken lines shown in the views are included for the purpose of illustrating portions of the printer that form no part of the claimed design.

See application file for complete search history.

**1 Claim, 8 Drawing Sheets**



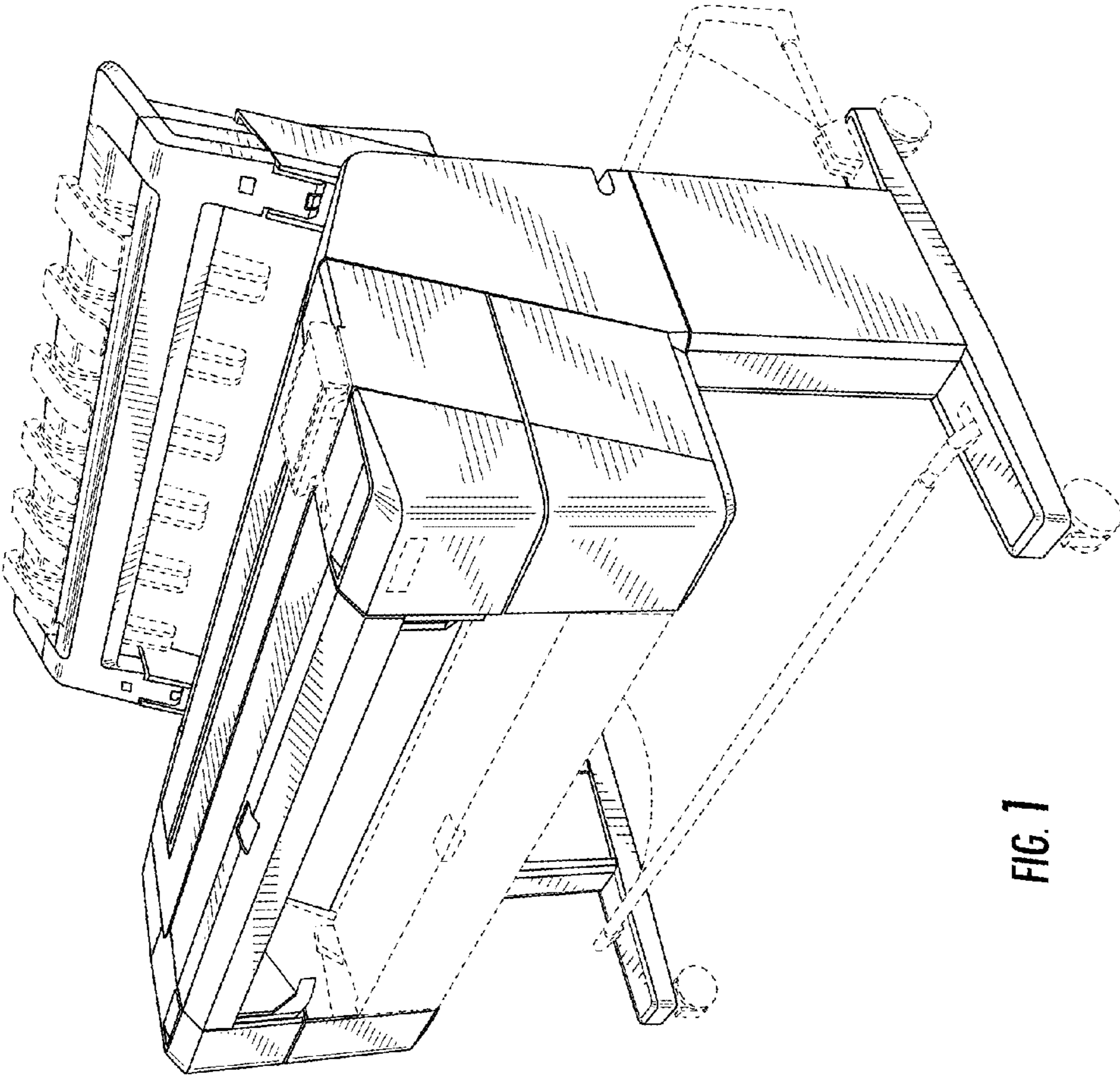


FIG. 1

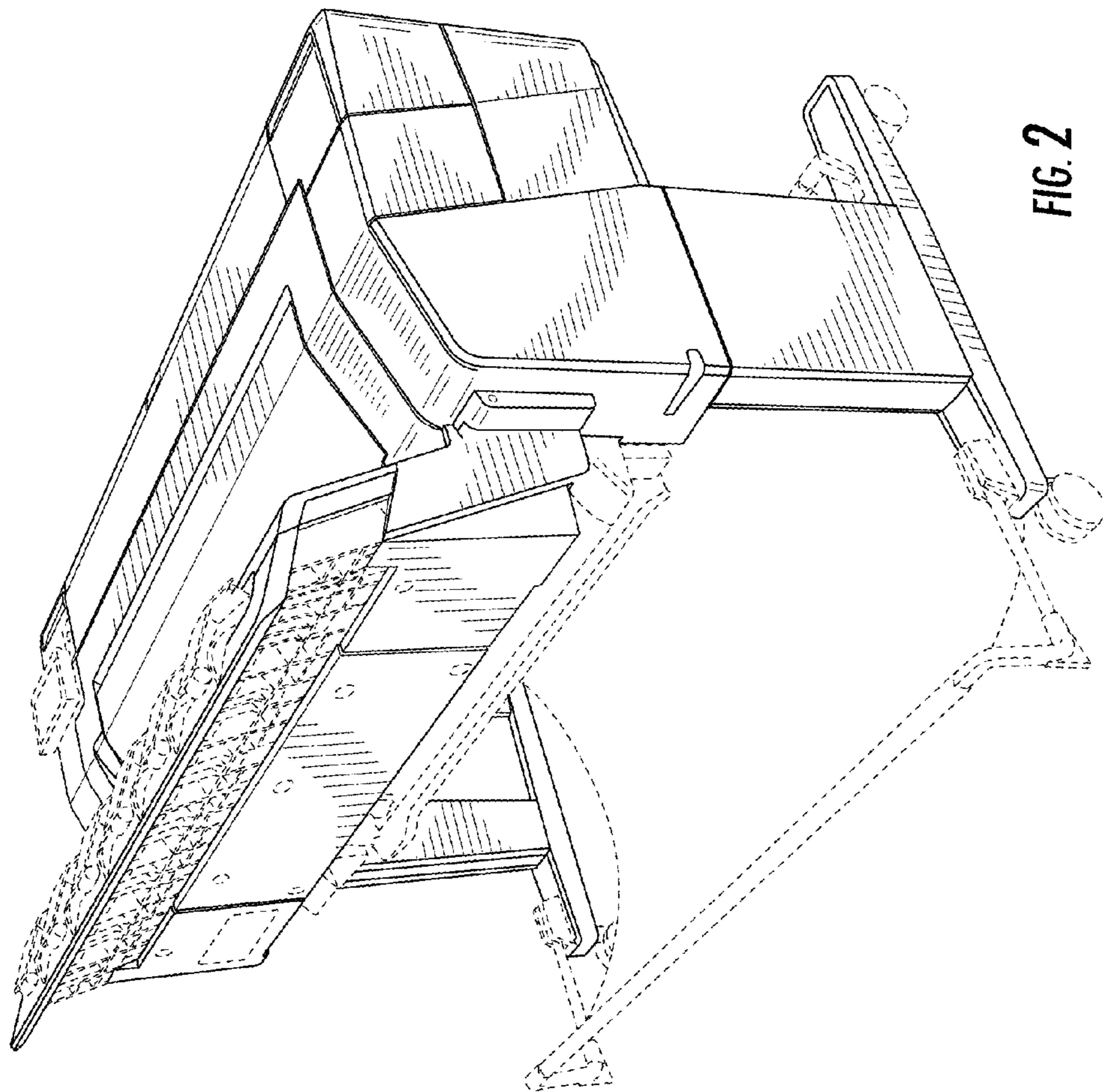
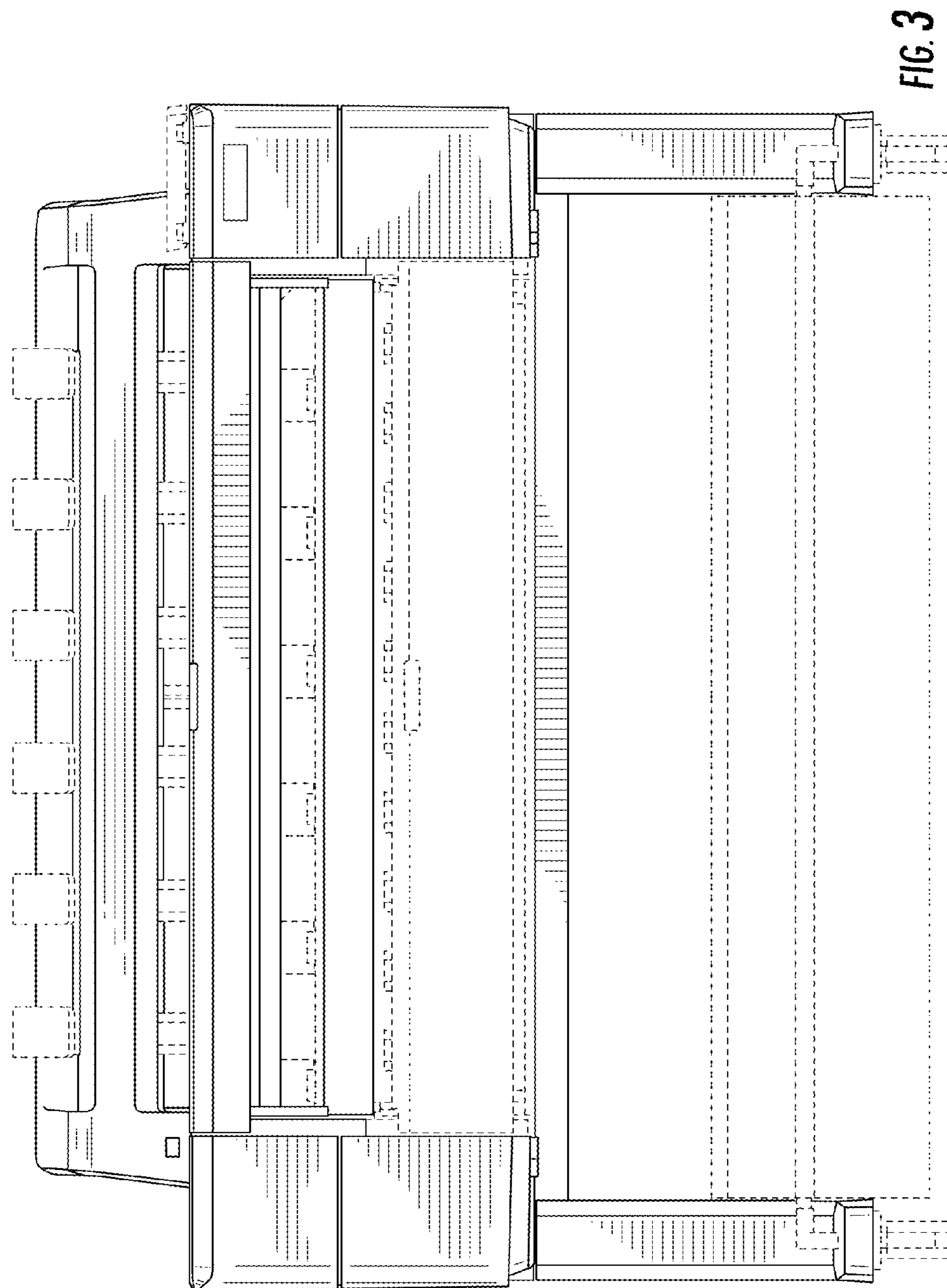


FIG. 2





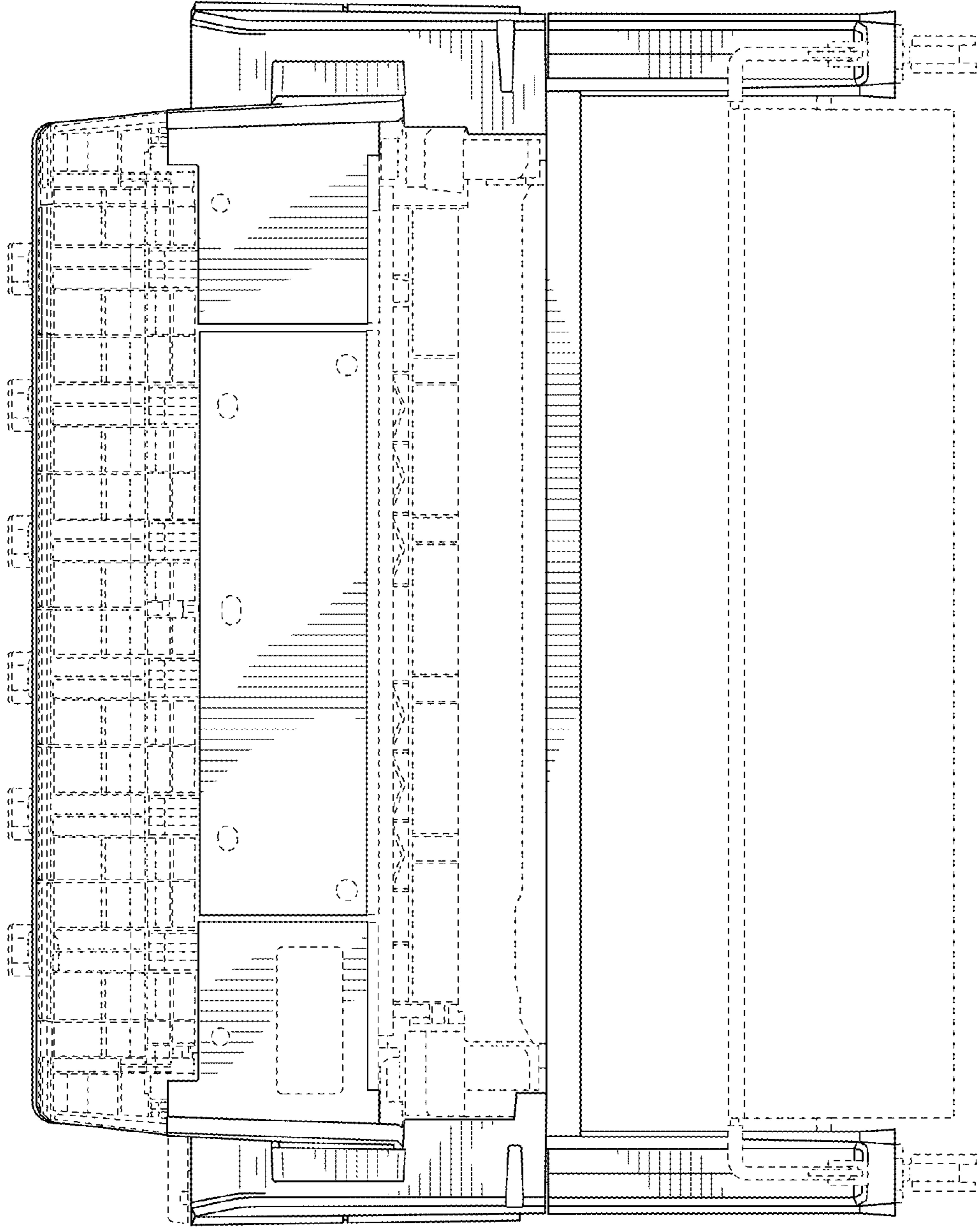


FIG. 4

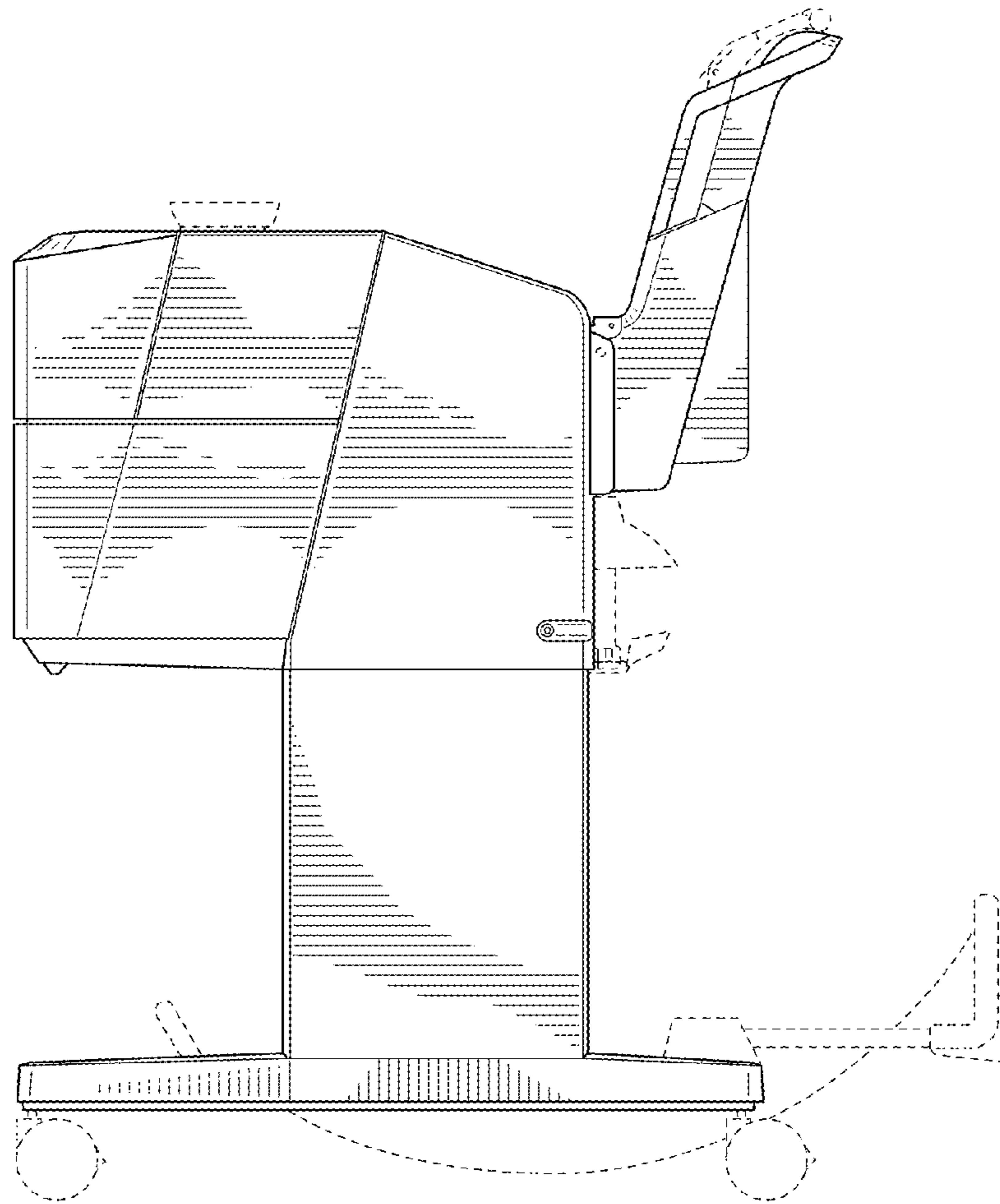


FIG. 5

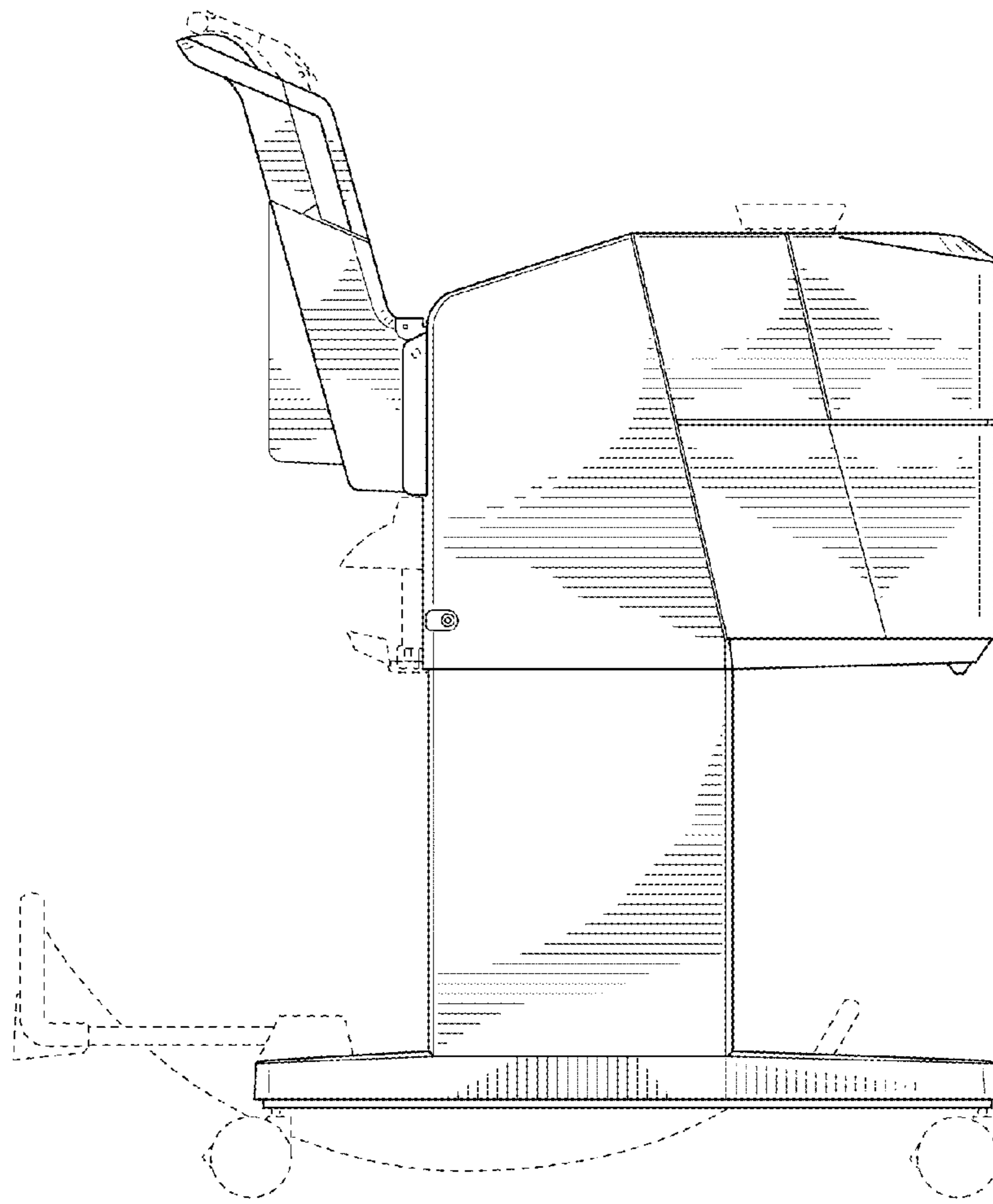


FIG. 6

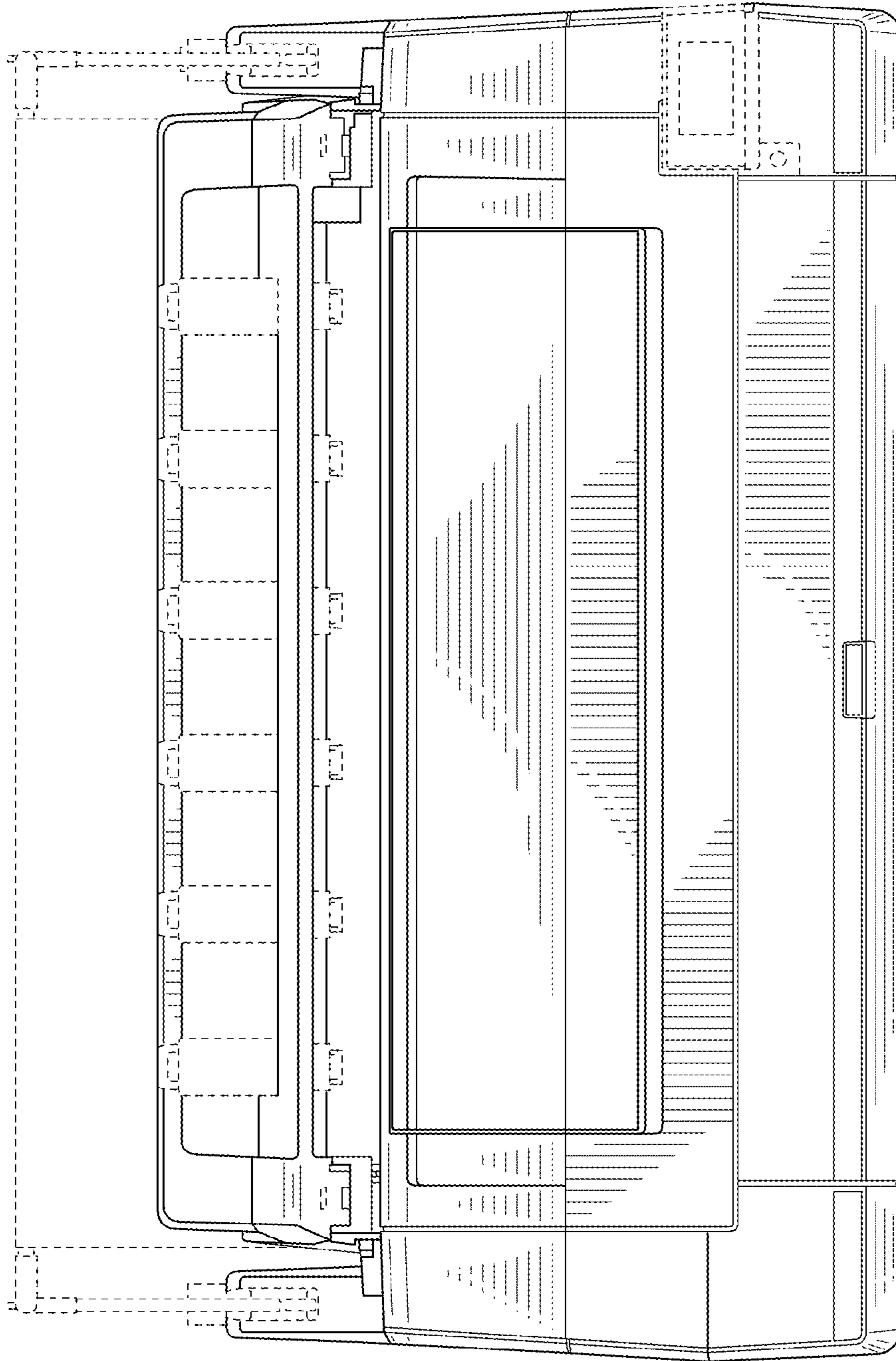


FIG. 7



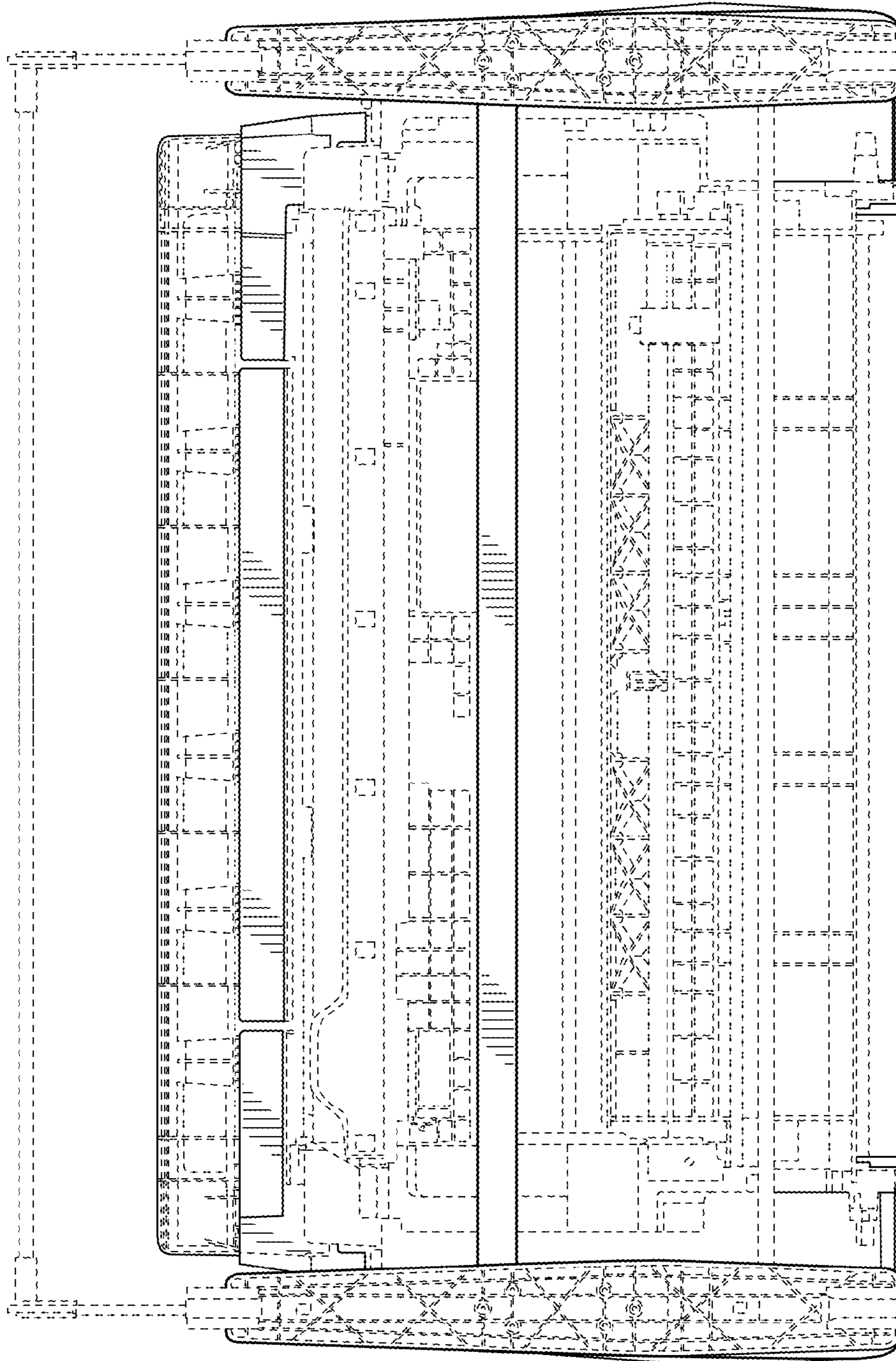


FIG. 8