



US00D751636S

(12) **United States Design Patent**
Kinoshita et al.

(10) **Patent No.:** **US D751,636 S**
(45) **Date of Patent:** **** Mar. 15, 2016**

(54) **PRINTER**

(71) Applicant: **SEIKO EPSON CORPORATION**,
Tokyo (JP)

(72) Inventors: **Yoshiki Kinoshita**, Suwa (JP); **Ayumu Nakamura**, Matsumoto (JP); **Hiroto Miyauchi**, Matsumoto (JP); **Akio Nomura**, Shiojiri (JP); **Takehiro Kobayashi**, Matsumoto (JP)

(73) Assignee: **SEIKO EPSON CORPORATION**,
Tokyo (JP)

(**) Term: **14 Years**

(21) Appl. No.: **29/494,146**

(22) Filed: **Jun. 18, 2014**

(30) **Foreign Application Priority Data**

Dec. 25, 2013 (JP) 2013-030308
May 30, 2014 (JP) 2014-011612

(51) **LOC (10) Cl.** **14-02**

(52) **U.S. Cl.**
USPC **D18/50**; D18/19

(58) **Field of Classification Search**
USPC D18/14, 19, 50, 53, 54, 54.1, 55;
D14/420-425, 462-470; 400/613,
400/613.1-613.4, 690.1-690.4, 691-694
CPC B41J 1/46; B41J 3/36; B41J 9/26;
B41J 15/00; B41J 29/02; B41J 29/13; B41J
35/36; B41J 11/00; B41J 11/20; B41J 29/00;
B41J 29/54; B65H 35/06; G03G 15/00;
G03G 21/00; G03G 21/16; G06F 3/12;
G06K 15/14

See application file for complete search history.

(56) **References Cited**

U.S. PATENT DOCUMENTS

D386,515 S * 11/1997 Somerville et al. D18/54.1
D422,631 S * 4/2000 Toriyama et al. D18/50

6,609,844 B1 * 8/2003 Petteruti et al. 400/613
D492,959 S * 7/2004 Nakanishi D18/50
D522,571 S * 6/2006 Senda et al. D18/54
7,695,206 B2 * 4/2010 Kawakami et al. 400/693
D685,415 S * 7/2013 Kinoshita et al. D18/54
D730,978 S * 6/2015 Kinoshita et al. D18/50

FOREIGN PATENT DOCUMENTS

JP 1475335 S 7/2013
JP 1482098 S 10/2013

* cited by examiner

Primary Examiner — Cathy Anne MacCormac

(57) **CLAIM**

The ornamental design for a printer, as shown and described.

DESCRIPTION

FIG. 1 is a front, top and right side perspective view of a first embodiment of a printer showing our new design;
FIG. 2 is a rear, bottom and left side perspective view thereof;
FIG. 3 is a front view thereof;
FIG. 4 is a rear view thereof;
FIG. 5 is a top plan view thereof;
FIG. 6 is a bottom plan view thereof;
FIG. 7 is a right side view thereof;
FIG. 8 is a left side view thereof;
FIG. 9 is a front, top and right side perspective view of a second embodiment of a printer showing our new design;
FIG. 10 is a rear, bottom and left side perspective view thereof;
FIG. 11 is a front view thereof;
FIG. 12 is a rear view thereof;
FIG. 13 is a top plan view thereof;
FIG. 14 is a bottom plan view thereof;
FIG. 15 is a right side view thereof; and,
FIG. 16 is a left side view thereof.

The features shown in broken lines in the drawings depict environmental subject matter only and form no part of the claimed design. The oblique shade lines are intended to represent transparency or translucency.

1 Claim, 16 Drawing Sheets

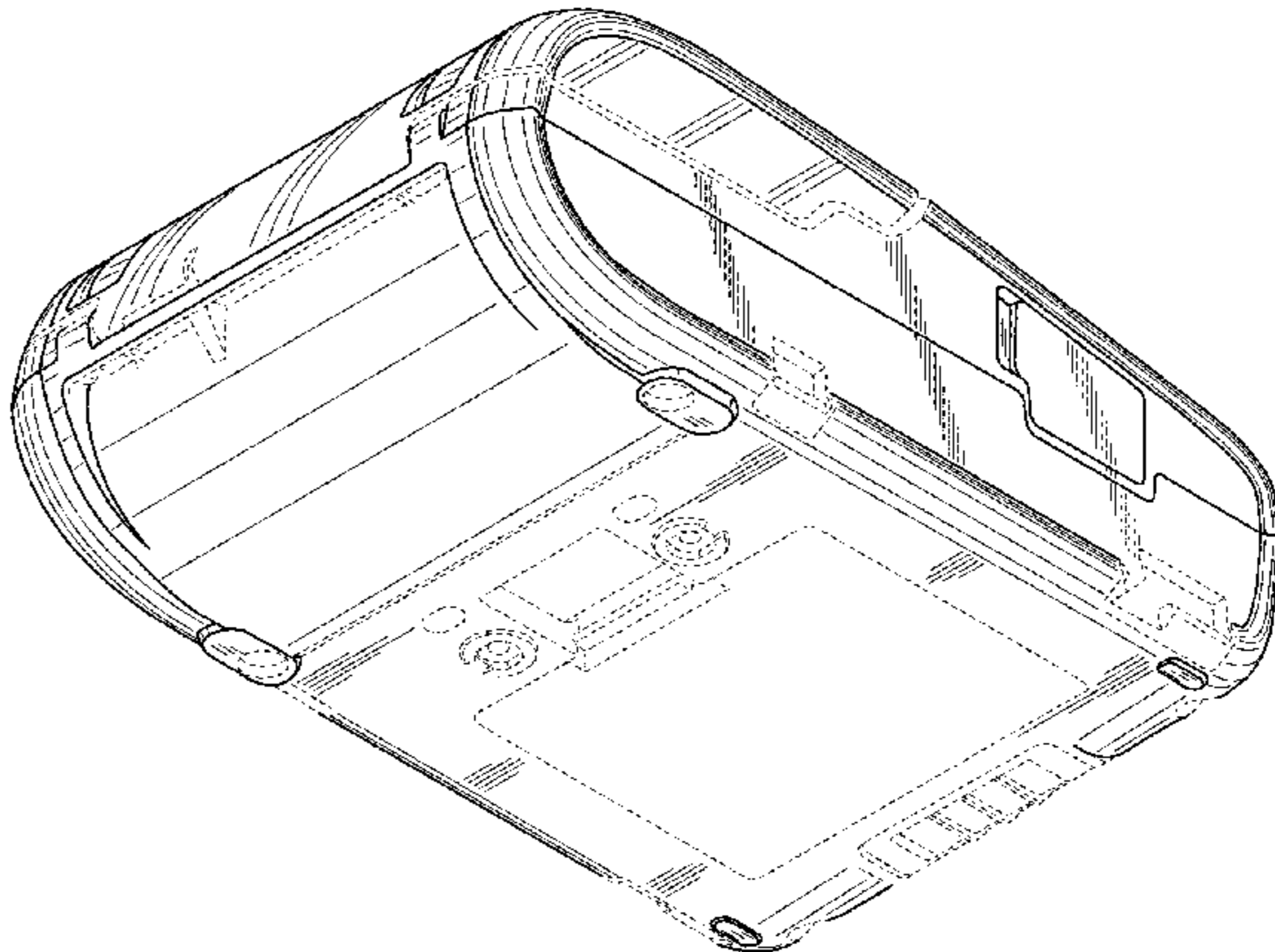
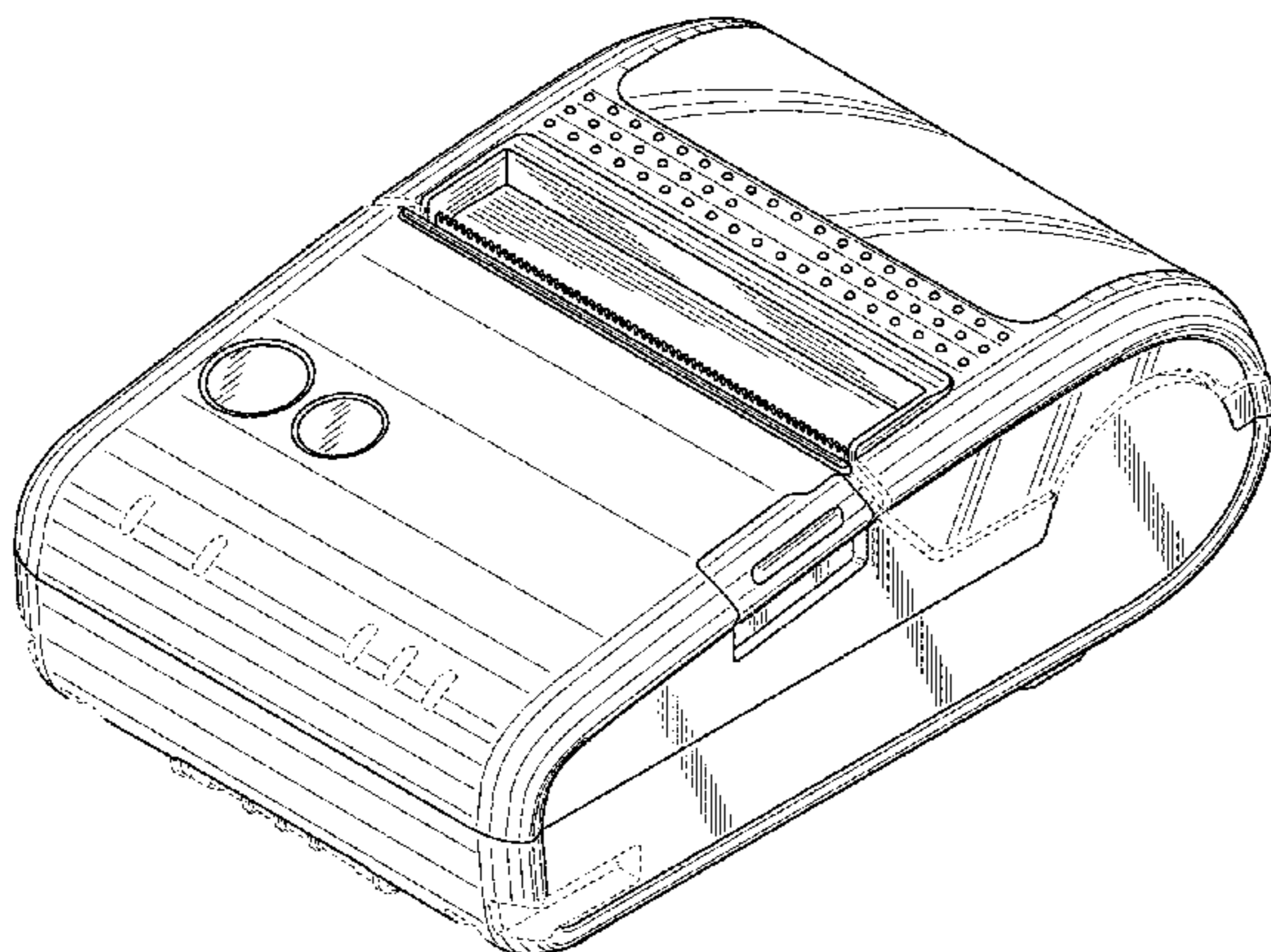


FIG. 1

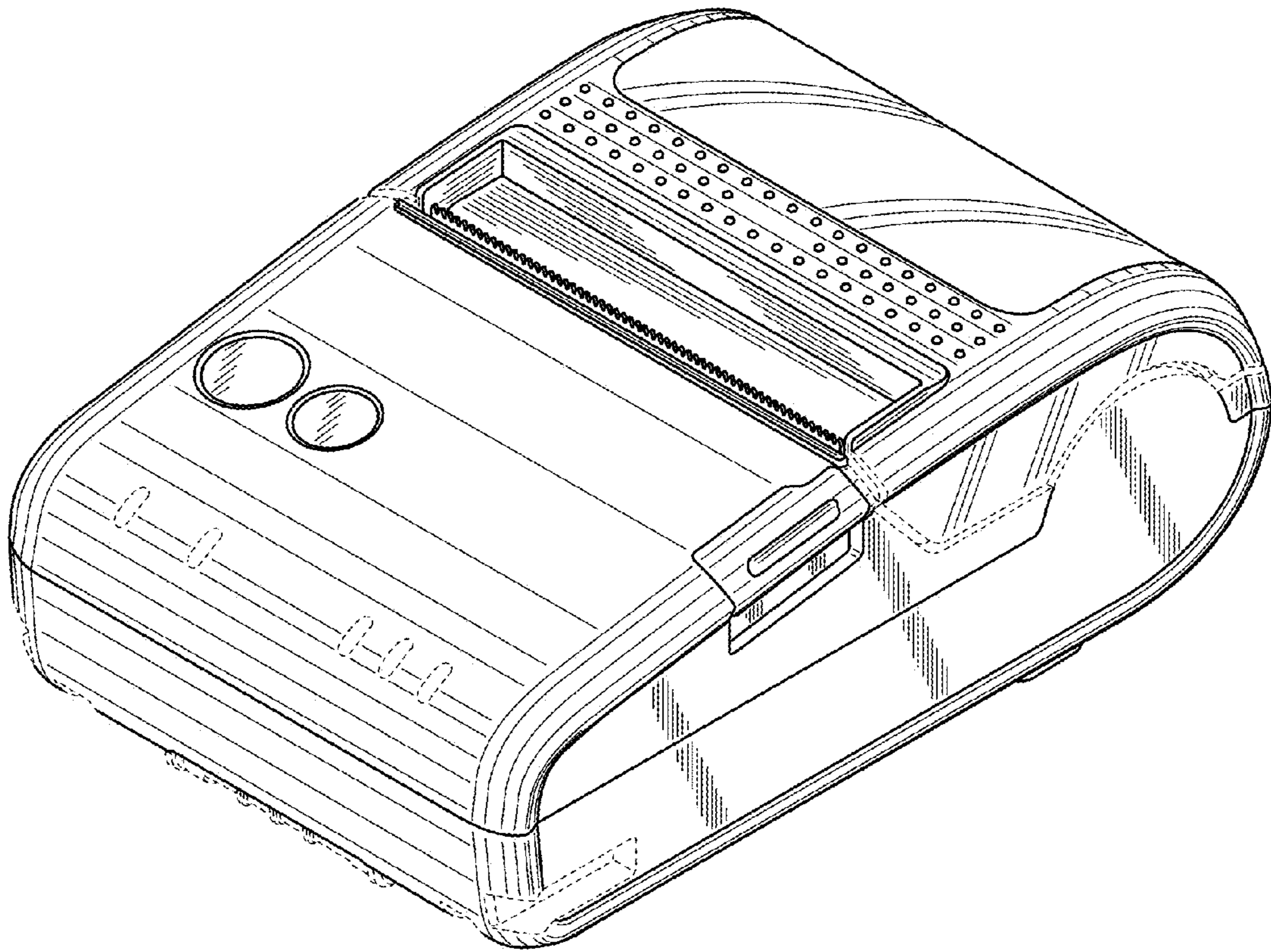


FIG. 2

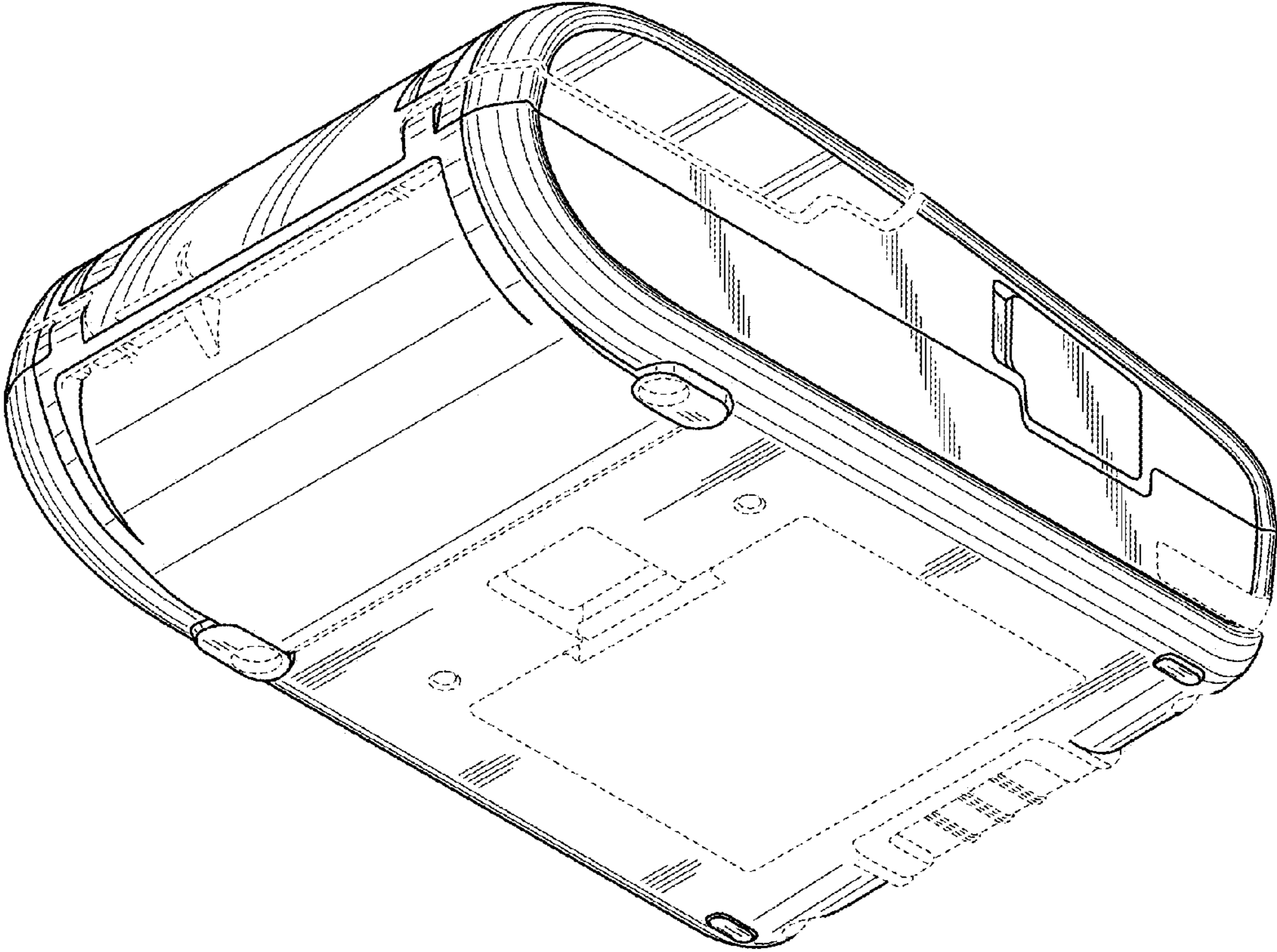


FIG. 3

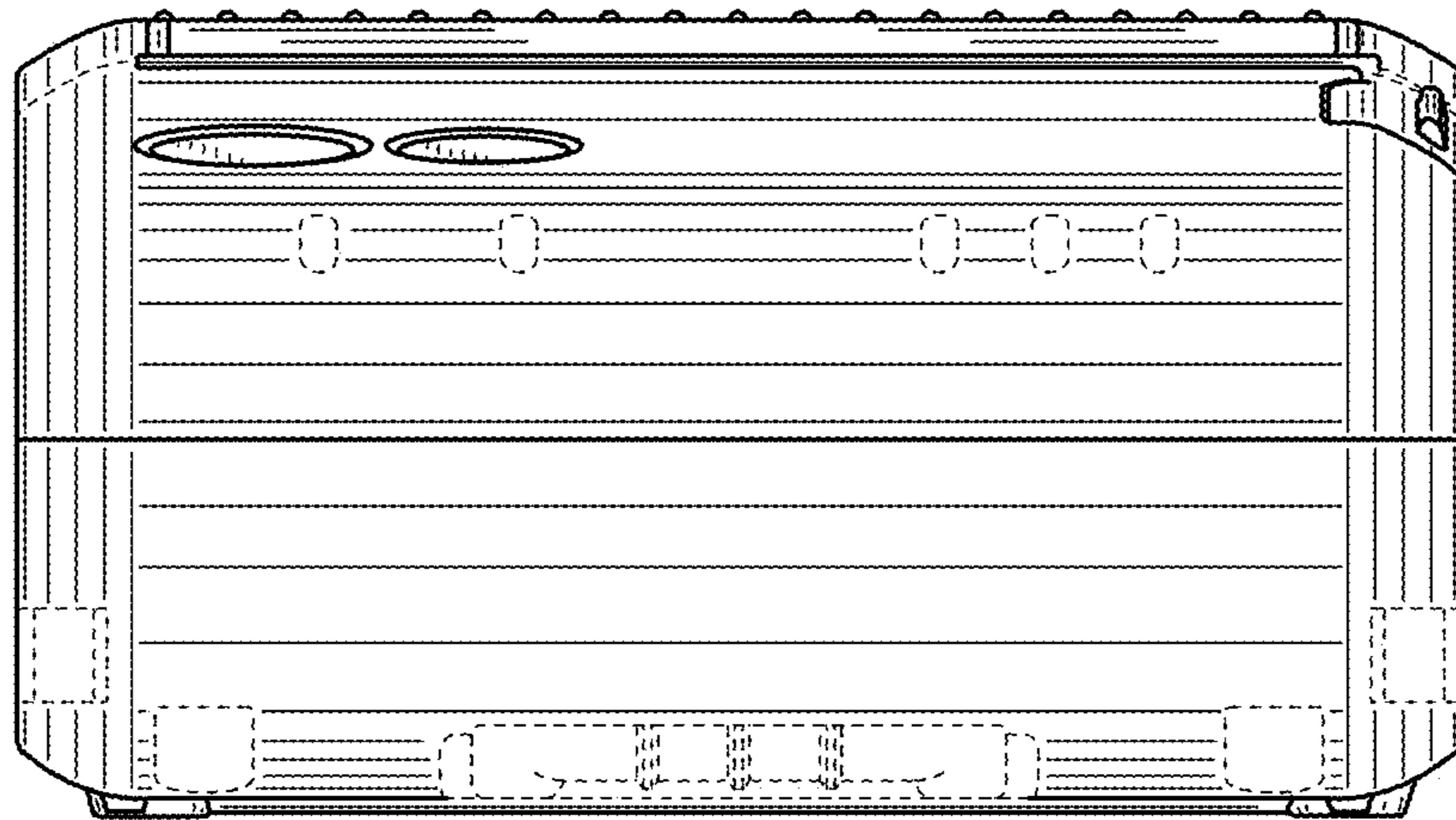


FIG. 4

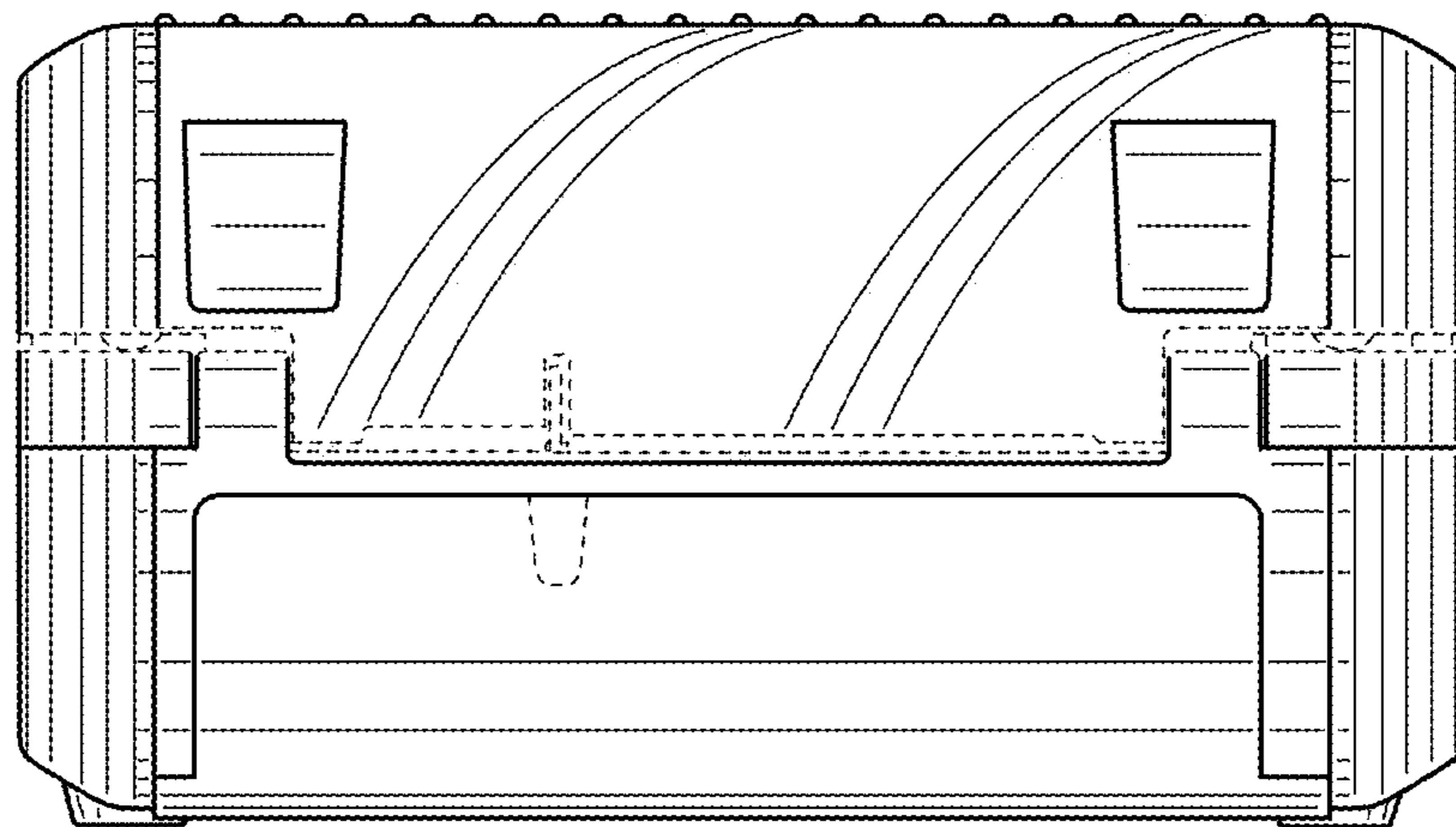


FIG. 5

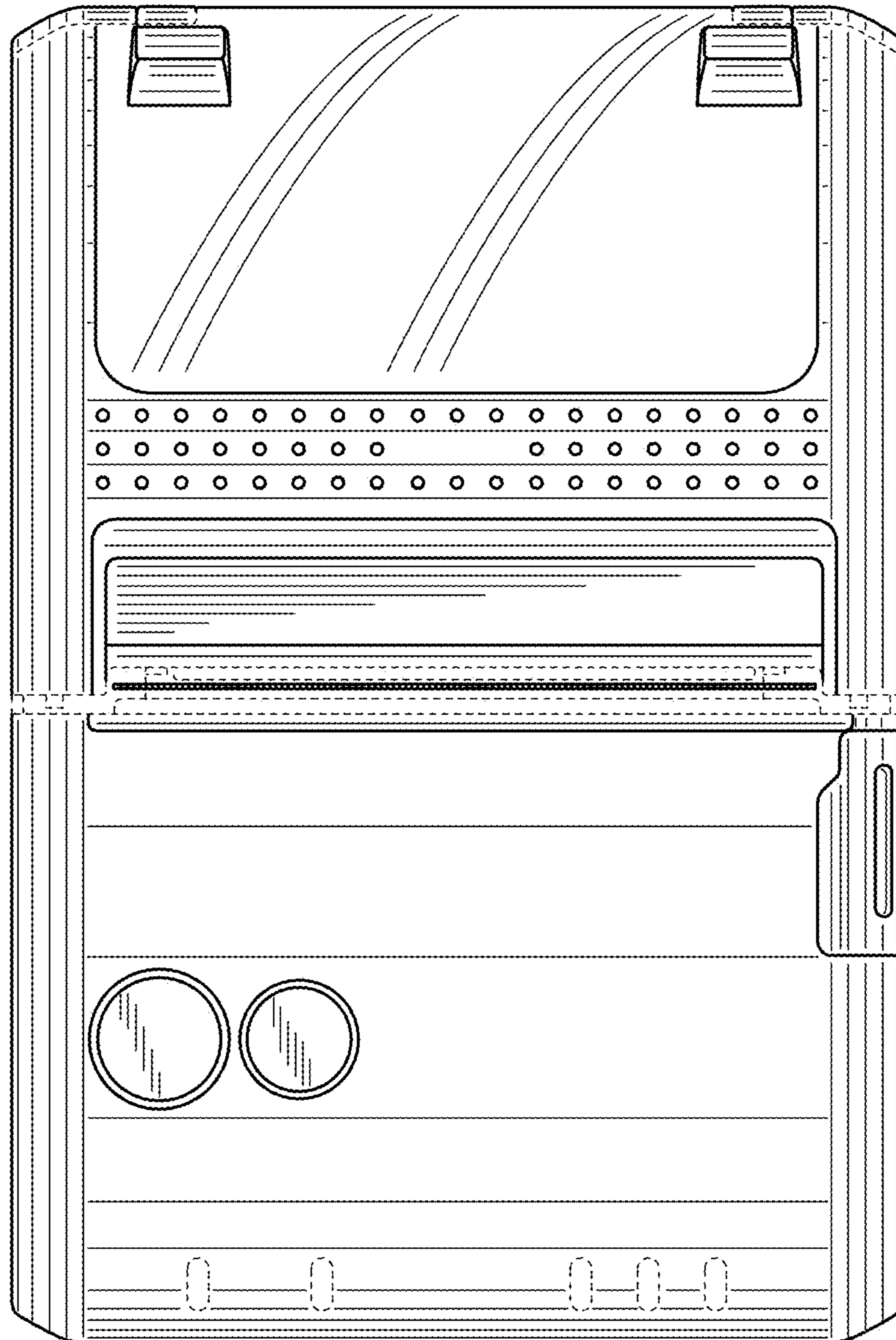


FIG. 6

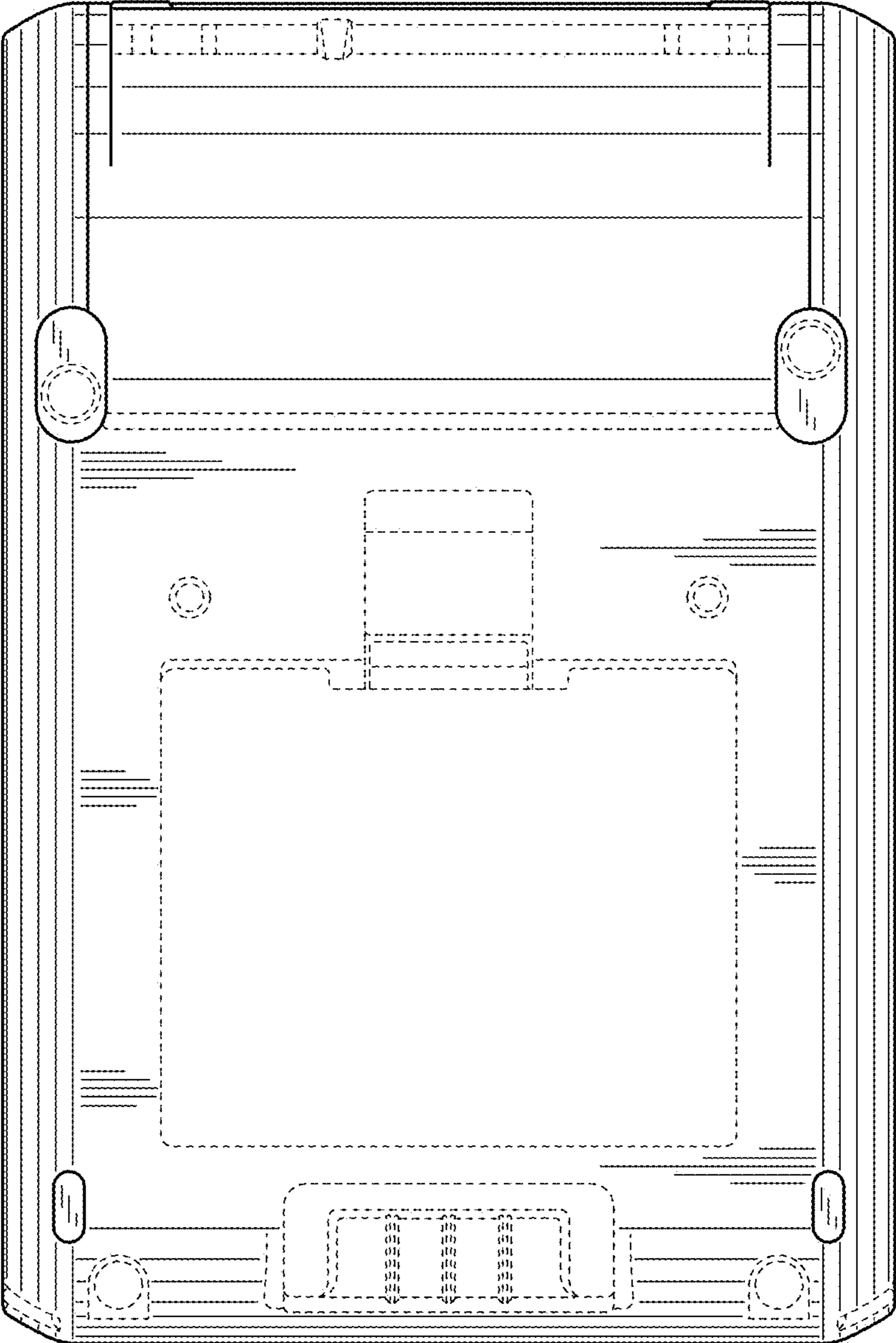


FIG. 7

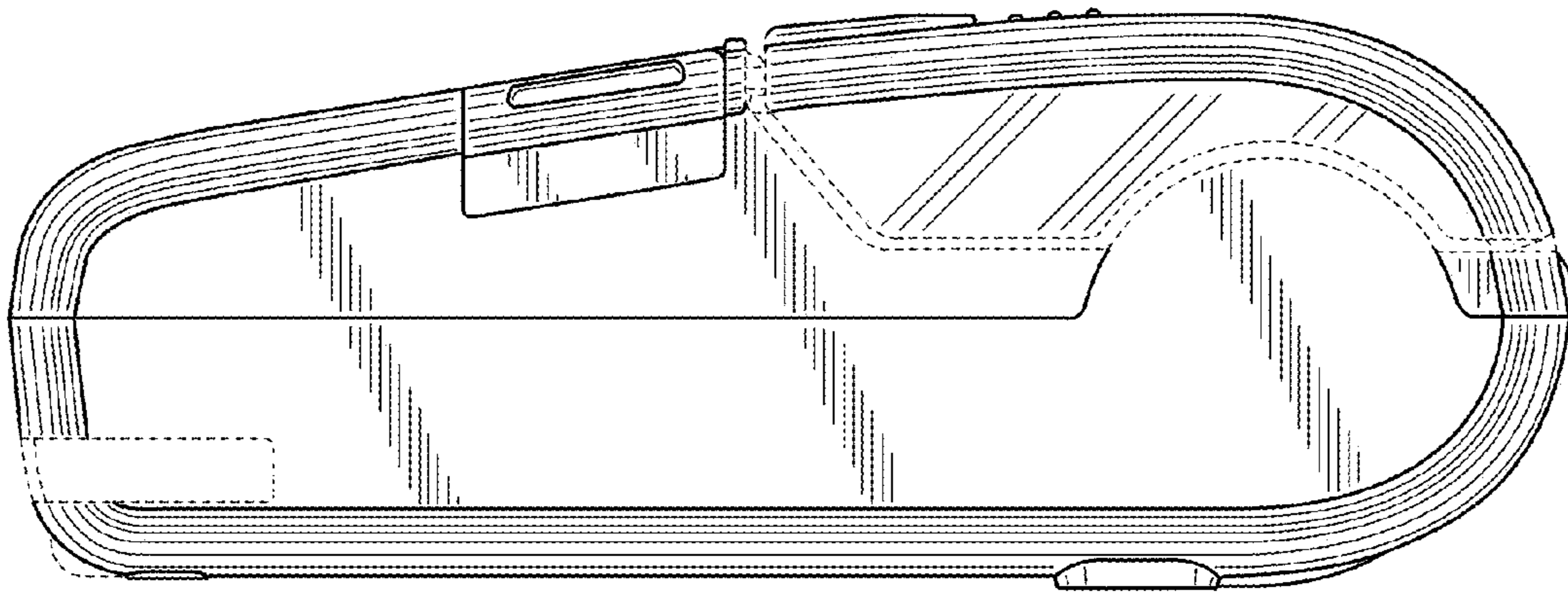


FIG. 8

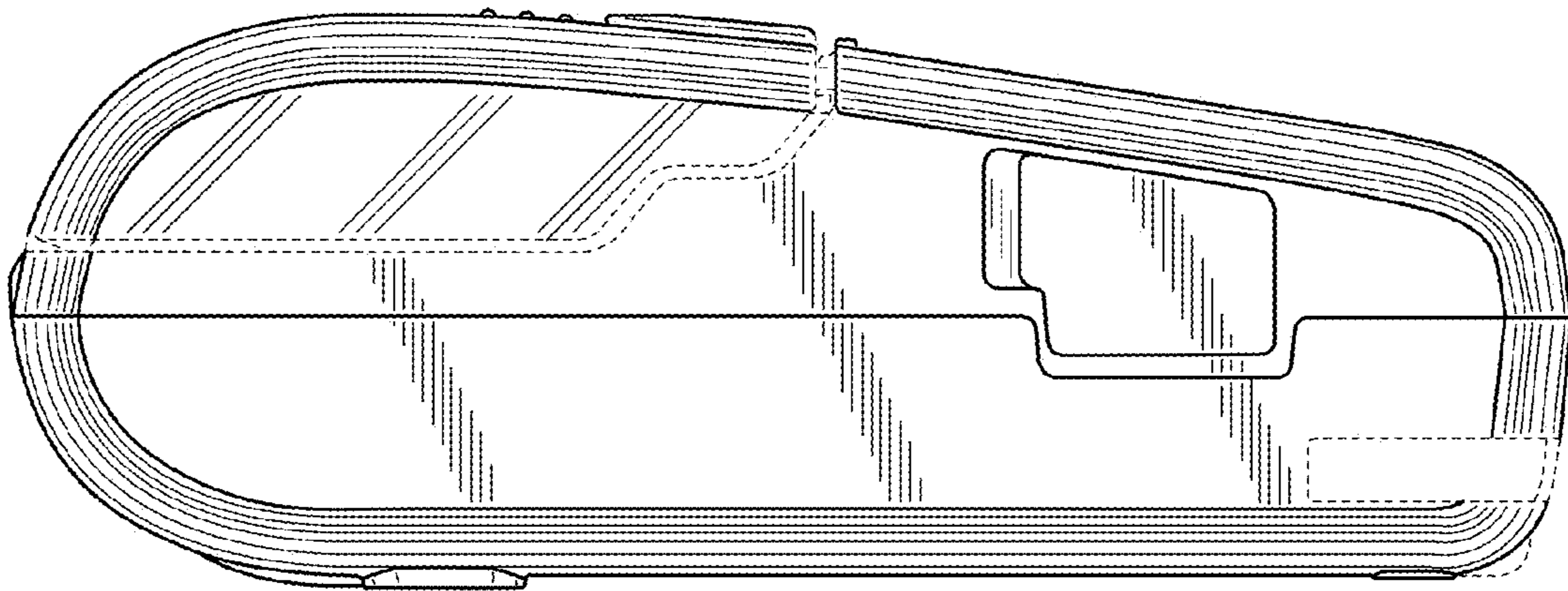


FIG. 9

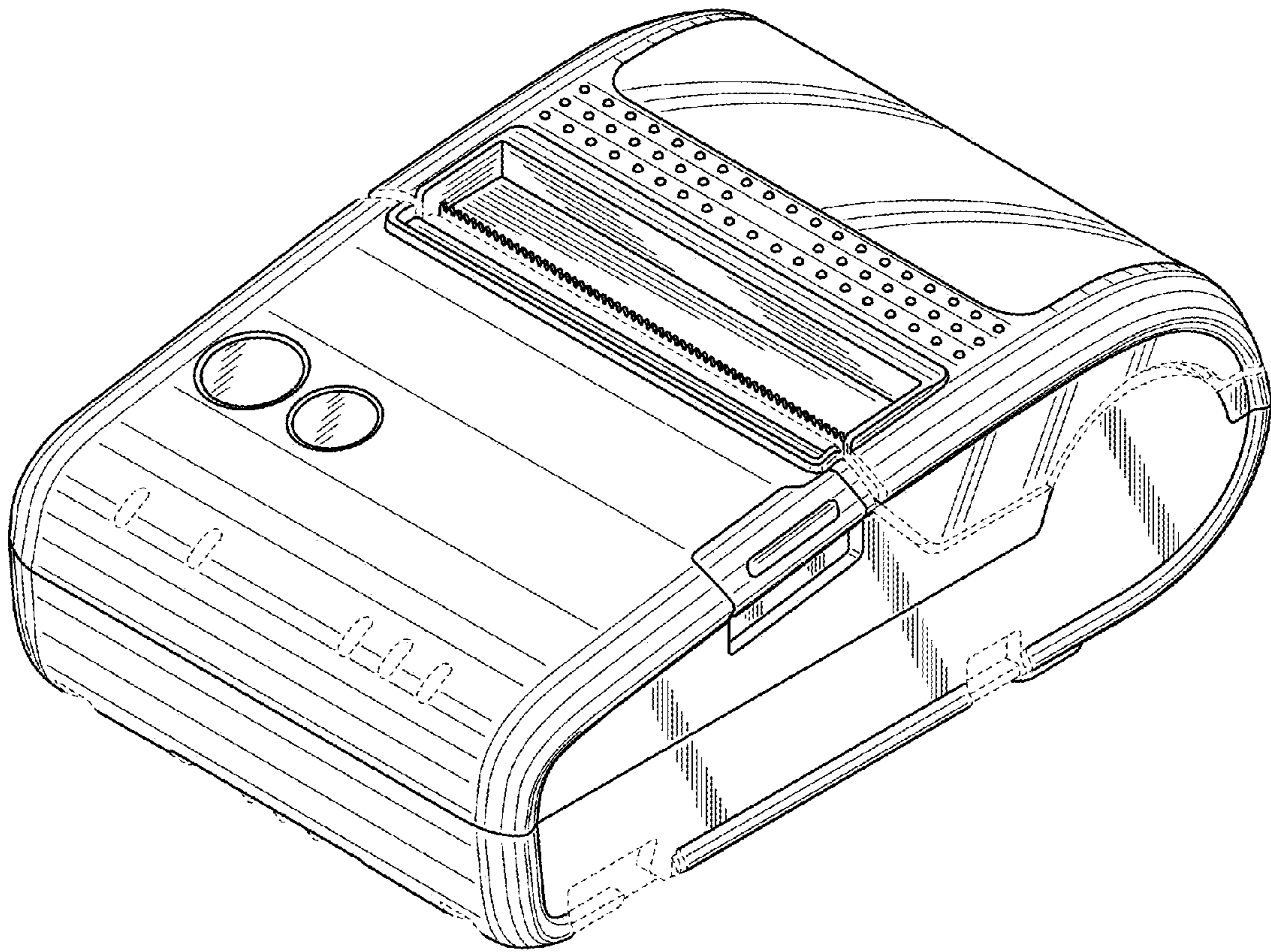


FIG. 10

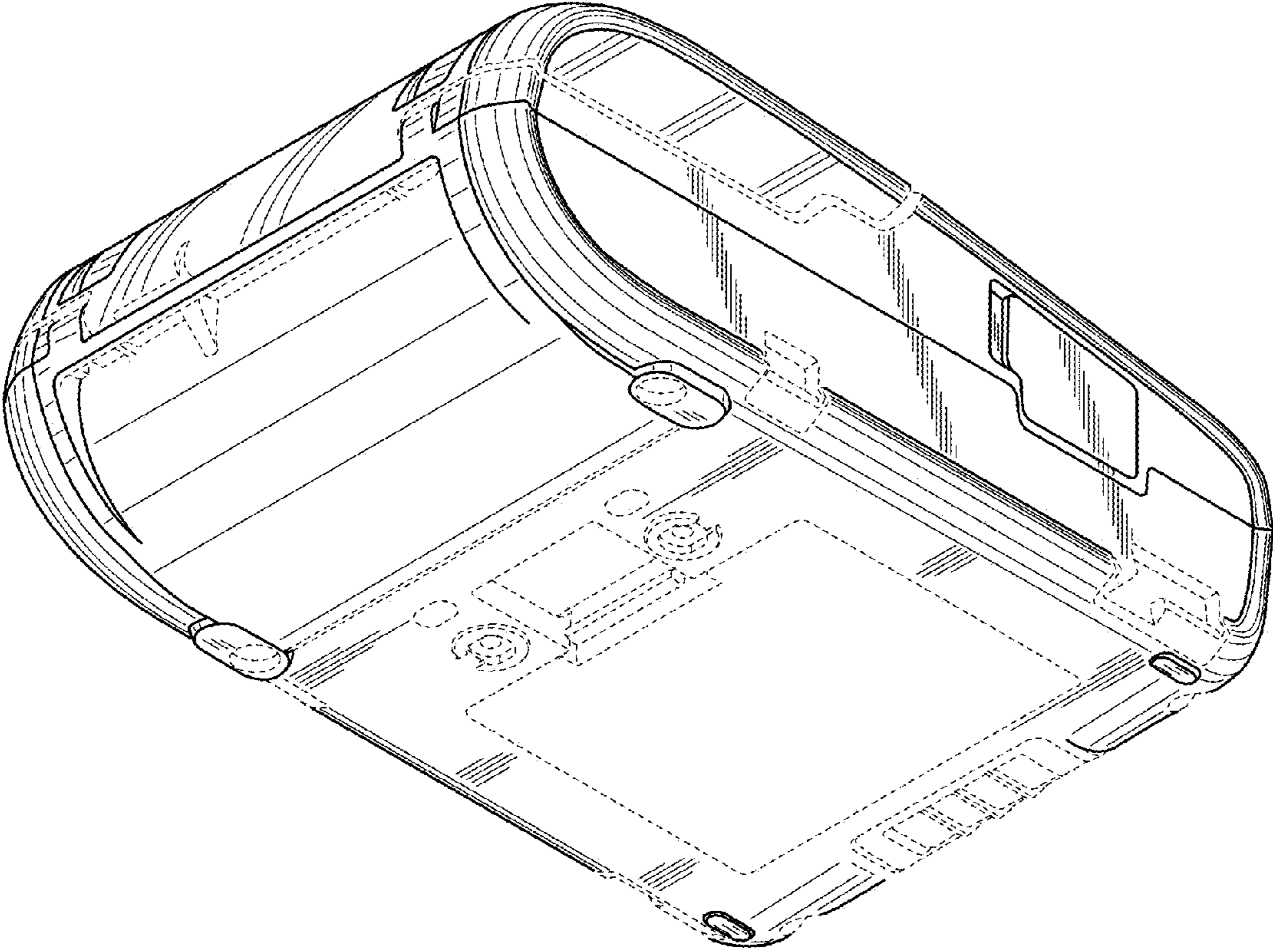


FIG. 11

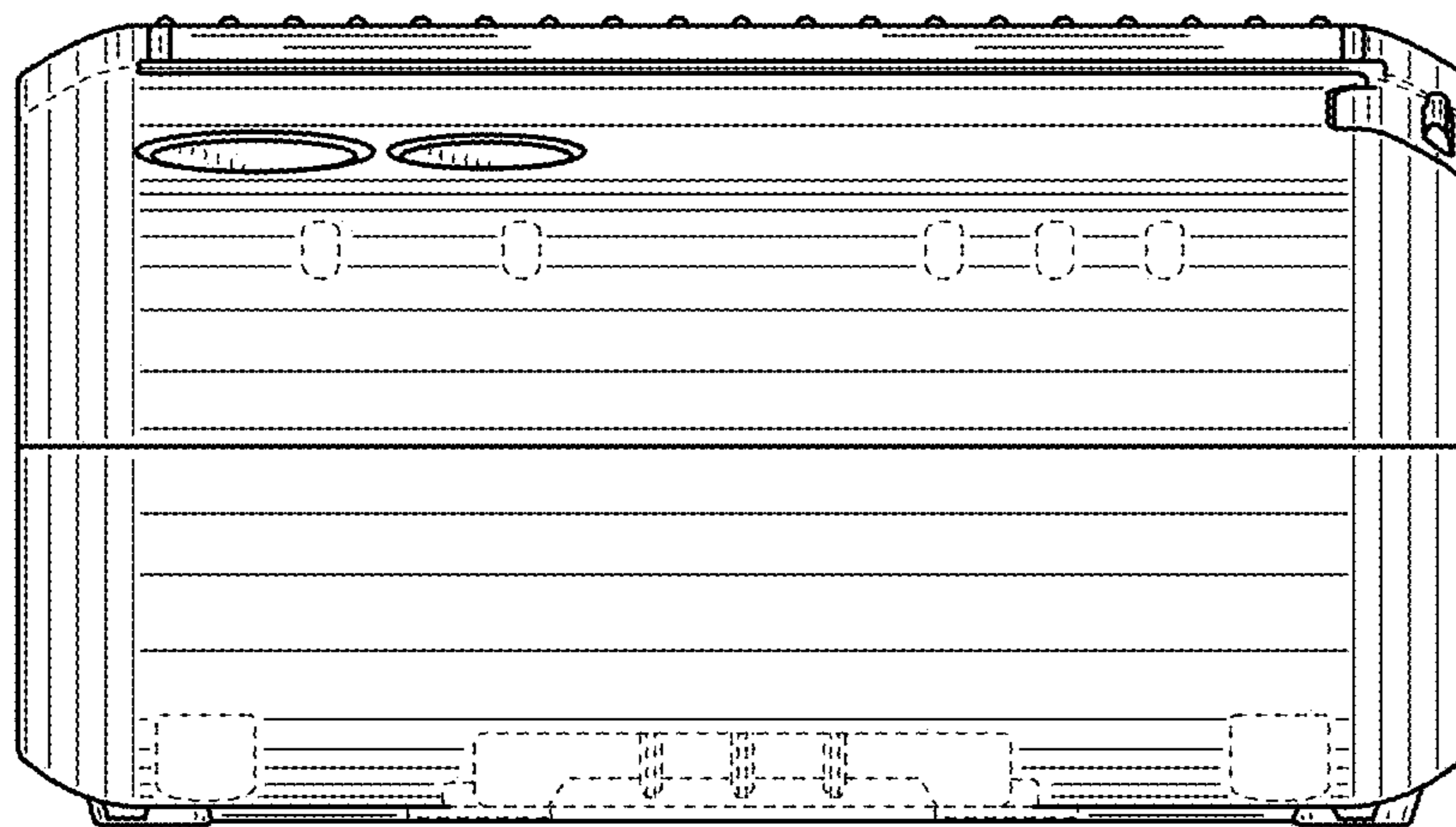


FIG. 12

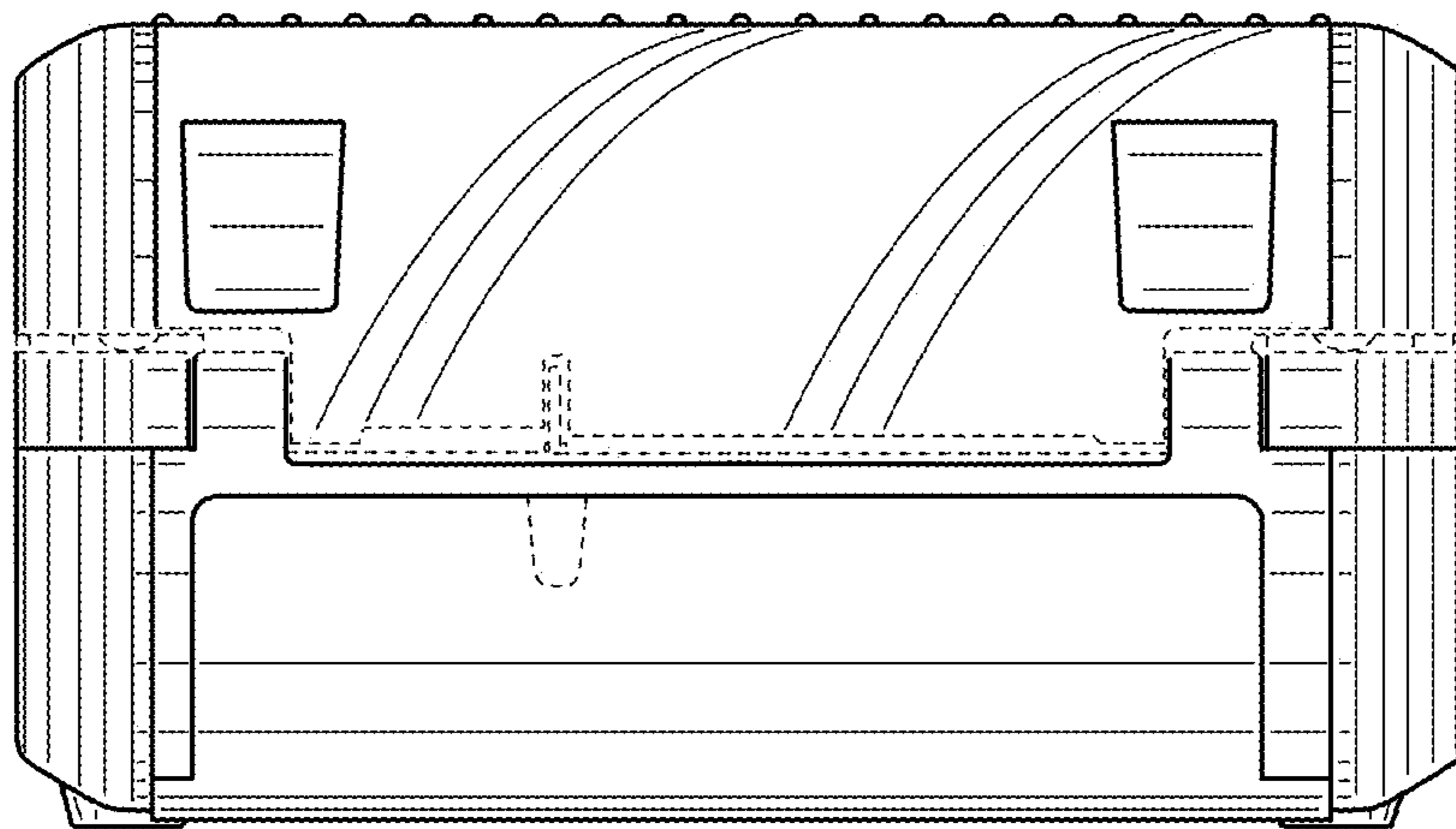


FIG. 13

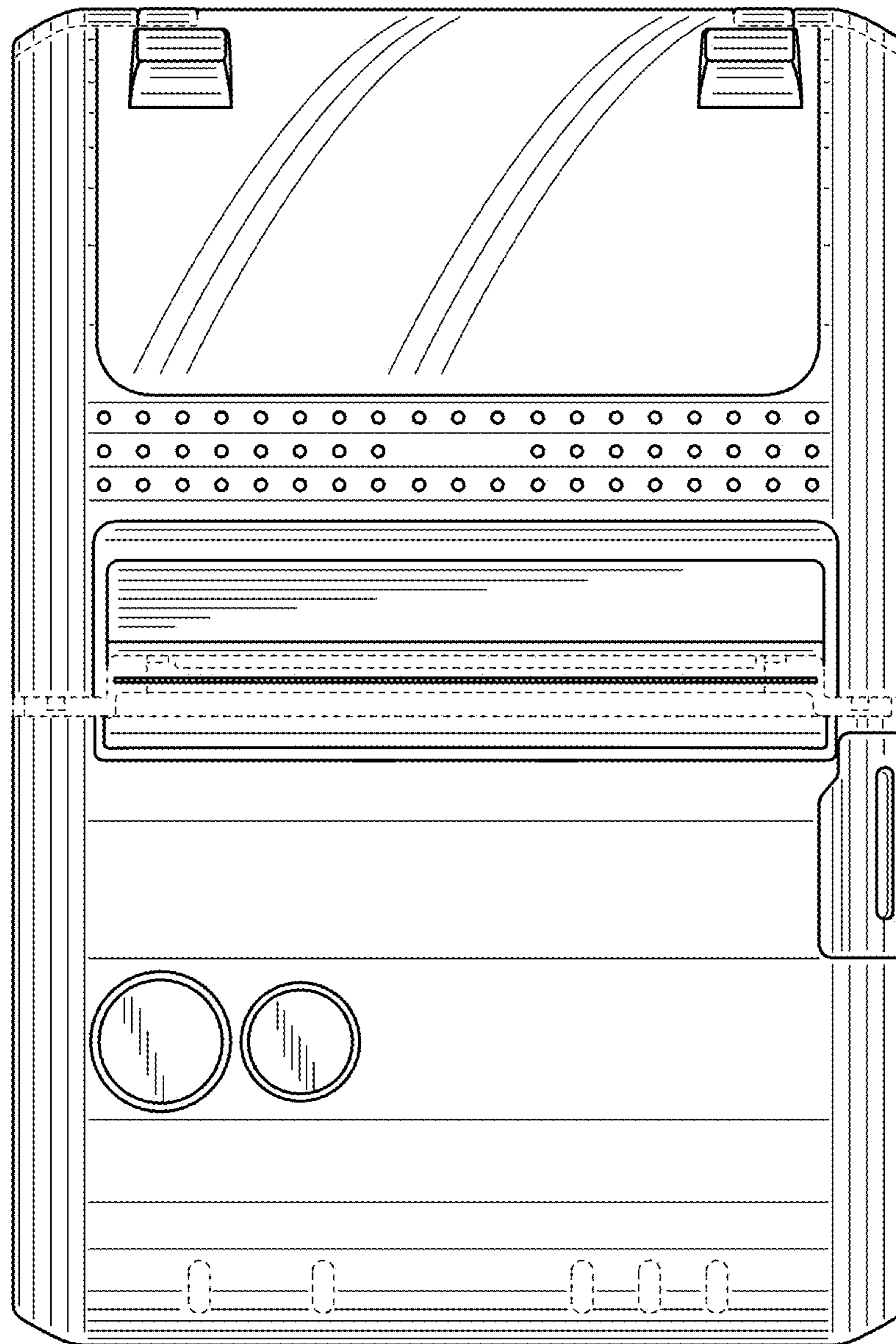


FIG. 14

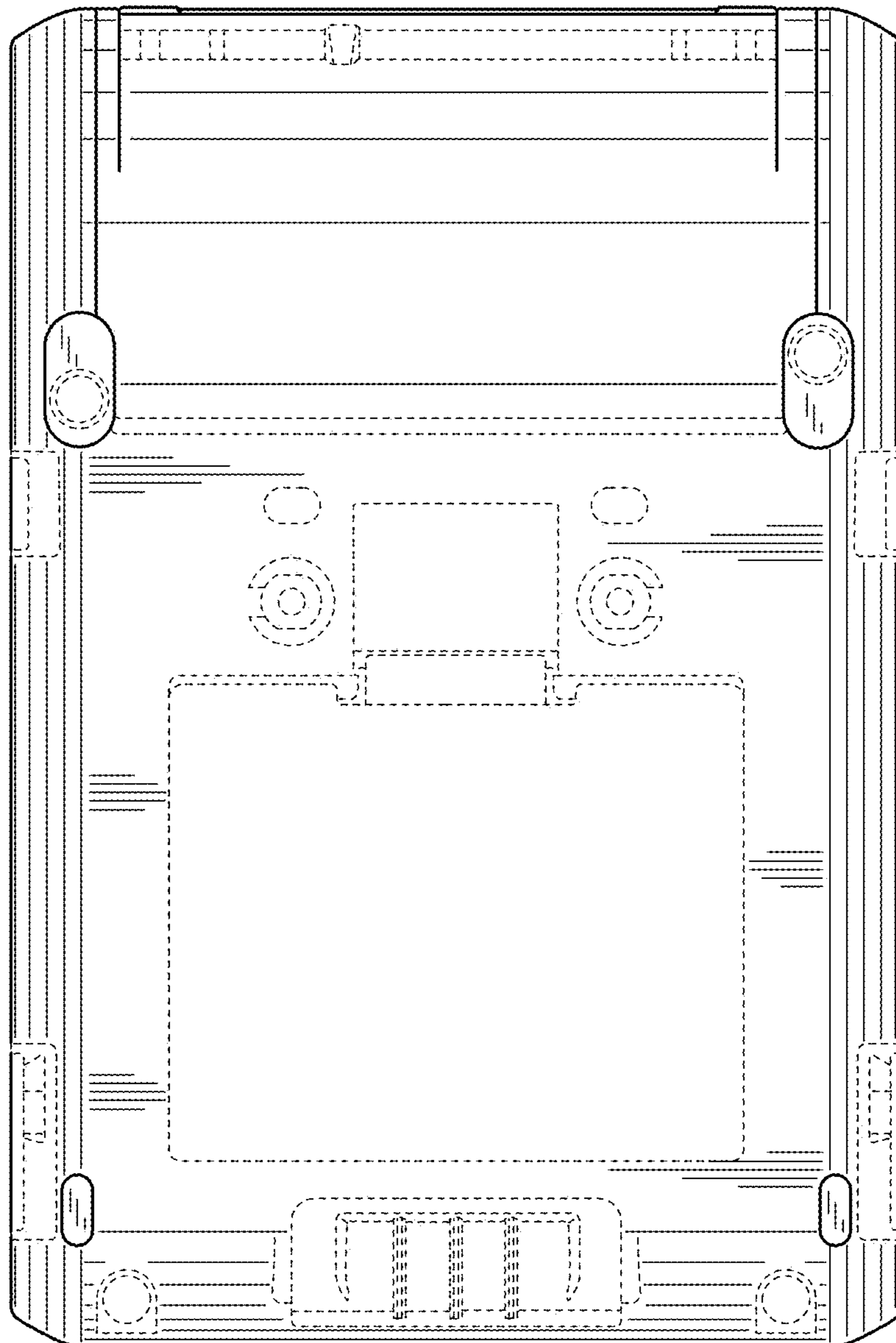


FIG. 15

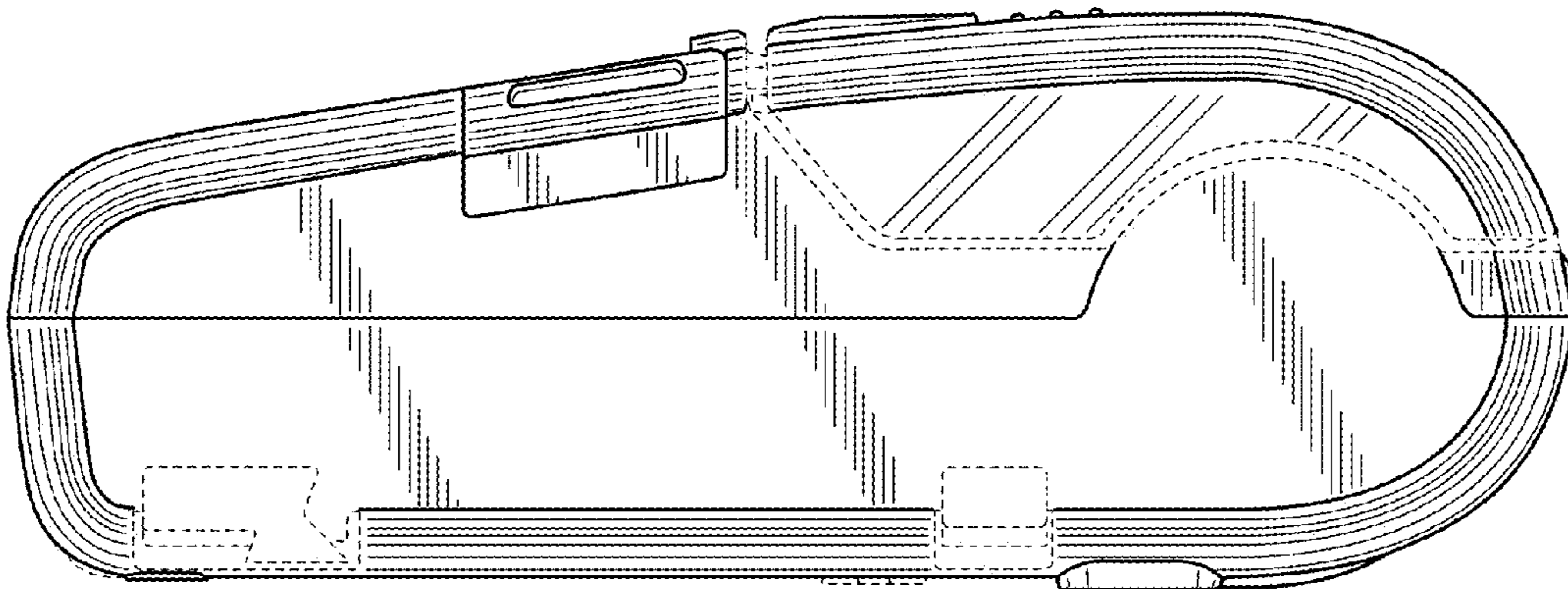


FIG. 16

