



US00D751635S

(12) **United States Design Patent**
Jung et al.

(10) **Patent No.:** **US D751,635 S**
(45) **Date of Patent:** **** Mar. 15, 2016**

(54) **PRINTER**

(71) Applicant: **Samsung Electronics Co., Ltd.**,
Suwon-si (KR)

(72) Inventors: **GwangChae Jung**, Seoul (KR);
Mikyeong Kim, Chunan-si (KR);
Gyejin Jun, Sungnam-si (KR); **Minchul Kim**,
Buchunsi (KR); **Kyuhoo Song**, Incheon (KR);
Aemin Shim, Sungnam-si (KR); **Dhojin Han**,
Taeku (KR)

(73) Assignee: **Samsung Electronics Co., Ltd.**,
Suwon-si (KR)

(**) Term: **14 Years**

(21) Appl. No.: **29/485,498**

(22) Filed: **Mar. 19, 2014**

(30) **Foreign Application Priority Data**

Sep. 26, 2013 (KR) 30-2013-0049127

(51) **LOC (10) Cl.** **18-02**

(52) **U.S. Cl.**
USPC **D18/50**

(58) **Field of Classification Search**

USPC D18/50, 53, 54, 54.1, 55, 14, 19, 56;
400/613, 613.1-613.4, 690.1-690.4,
400/691-694; 271/145; D14/420-425,
D14/462-470

CPC B41J 1/46; B41J 3/35; B41J 9/26;
B41J 11/00; B41J 11/20; B41J 29/00; B41J
29/02; B41J 29/13; B41J 35/36; B65H 35/06;
B65H 1/00; G03G 15/00; G03G 21/00;
G03G 21/16; G06F 3/12; G06K 15/14

See application file for complete search history.

(56) **References Cited**

U.S. PATENT DOCUMENTS

D322,278 S * 12/1991 Kawashima et al. D18/54
5,326,090 A * 7/1994 Hock et al. 271/162

D351,378 S * 10/1994 Nakazawa et al. D14/424
D357,274 S * 4/1995 Sato D18/56
6,270,271 B1 * 8/2001 Fujiwara 400/693
D451,921 S * 12/2001 Kawasaki et al. D14/425
D484,532 S * 12/2003 Seo et al. D18/50
D525,626 S * 7/2006 Fukunaga et al. D14/462
D529,543 S * 10/2006 Fukunaga et al. D18/50
D551,287 S * 9/2007 Ishigami et al. D18/50
D563,461 S * 3/2008 Kobayashi et al. D18/50
D573,179 S * 7/2008 Bae et al. D18/50
7,395,024 B2 * 7/2008 Hoshino et al. 399/381
D607,502 S * 1/2010 Lee et al. D18/50
D635,185 S * 3/2011 Suito et al. D18/56
D669,079 S * 10/2012 Hansen D14/420
D669,082 S * 10/2012 Sato D14/425
D669,473 S * 10/2012 Gronau et al. D14/420
D682,834 S * 5/2013 Ishikawa et al. D14/422
D726,728 S * 4/2015 Seki et al. D14/421
2005/0063024 A1 * 3/2005 Wang 358/494

* cited by examiner

Primary Examiner — Cathy Anne MacCormac

(74) *Attorney, Agent, or Firm* — NSIP Law

(57) **CLAIM**

We claim the ornamental design for a printer, as shown and described.

DESCRIPTION

FIG. 1 is a front perspective view of a printer showing our new design;
FIG. 2 is a front view thereof;
FIG. 3 is a rear view thereof;
FIG. 4 is a left-side view thereof;
FIG. 5 is a right-side view thereof;
FIG. 6 is a top view thereof;
FIG. 7 is a bottom view thereof; and,
FIG. 8 is another front perspective view thereof, showing the printer in an open position.
The broken lines in the figures depict environmental subject matter and form no part of the claimed design.

1 Claim, 8 Drawing Sheets

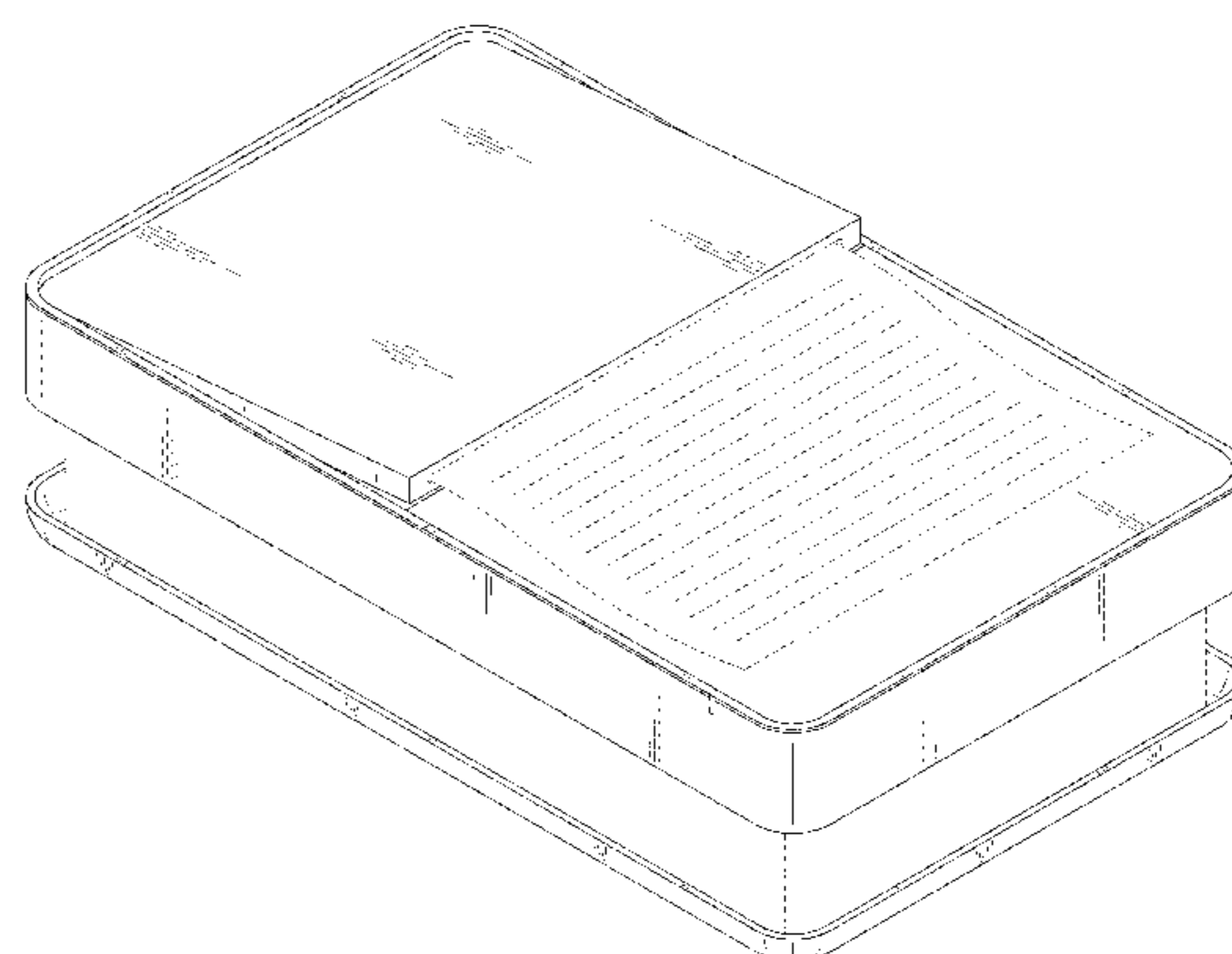
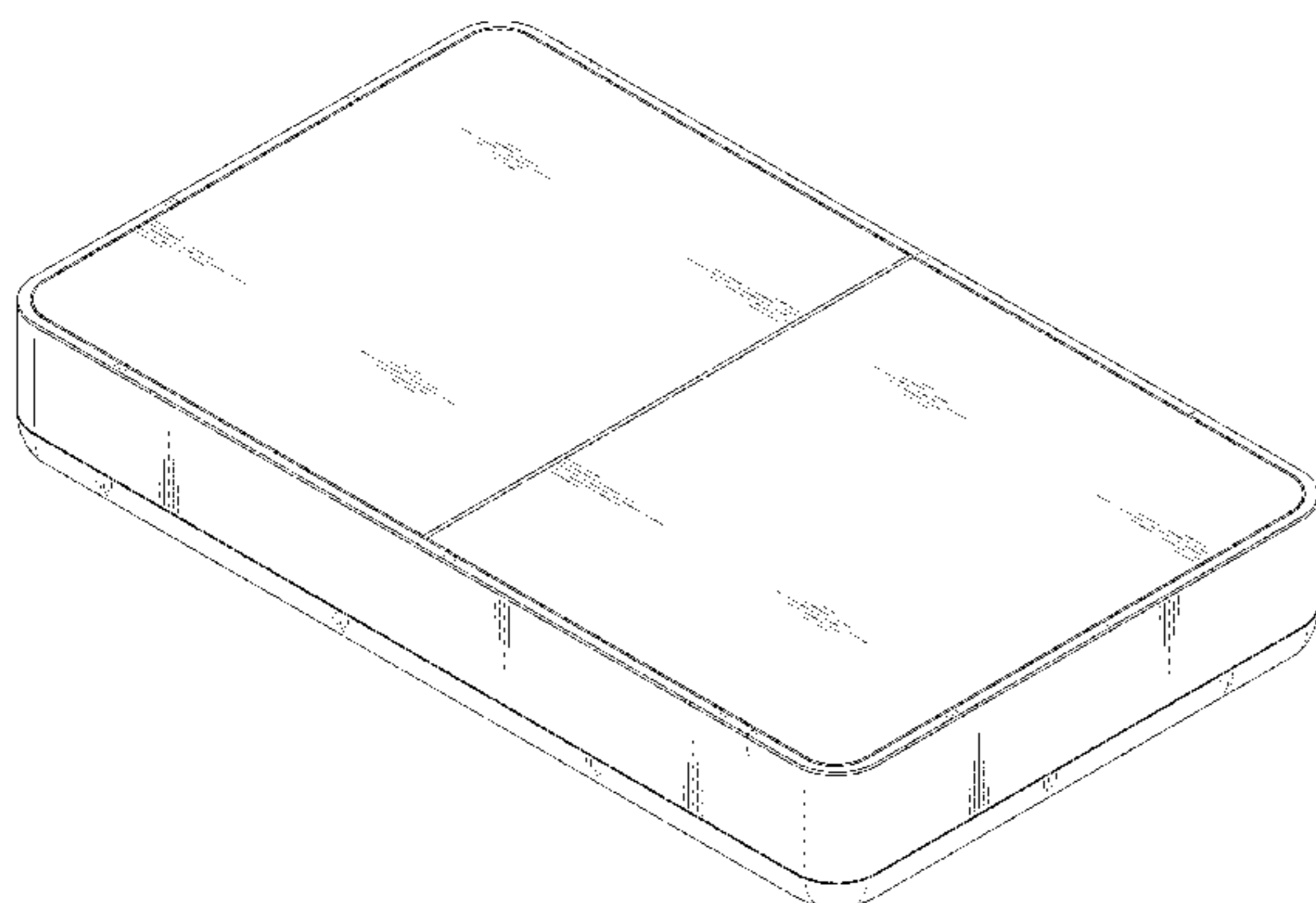


FIG. 1

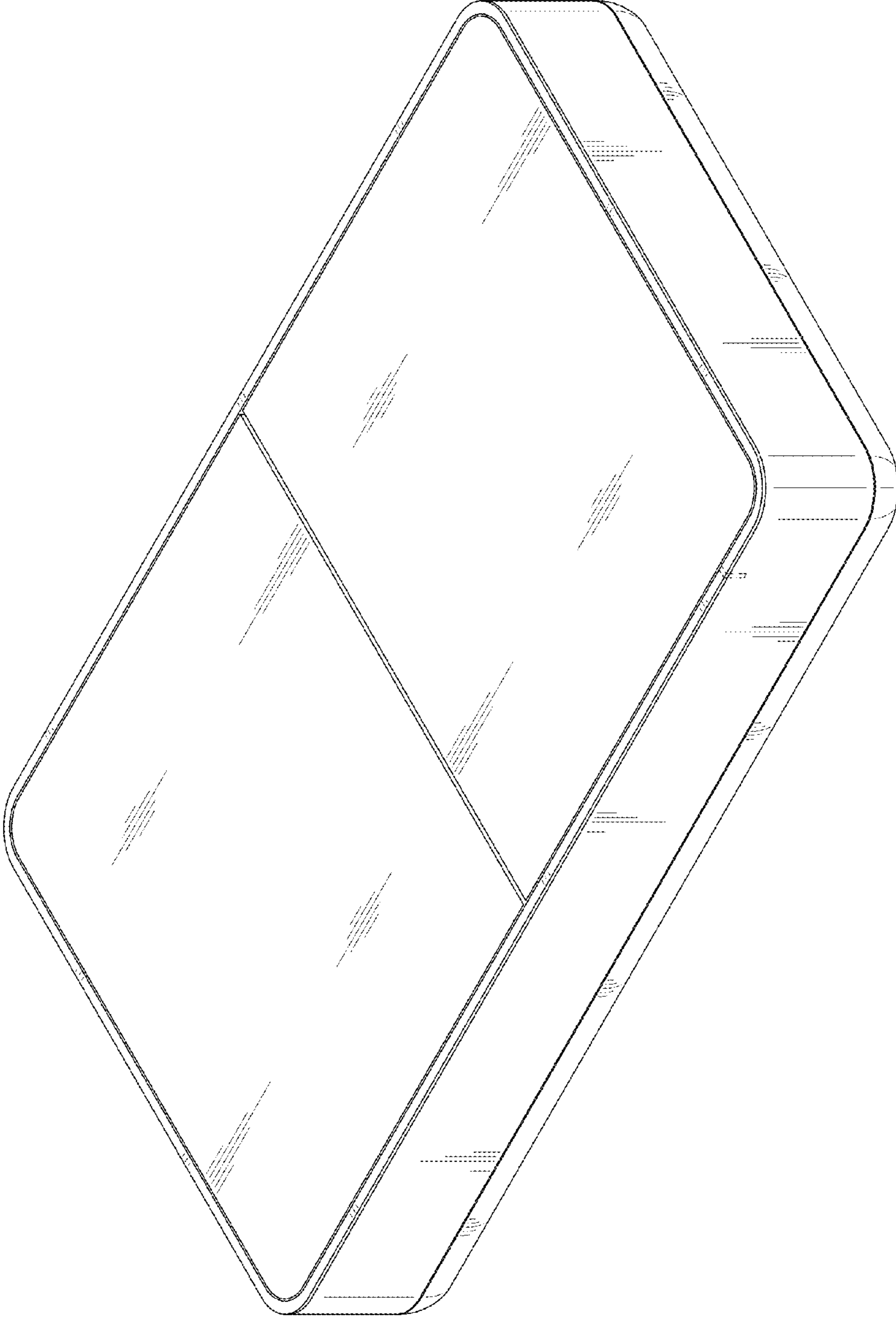


FIG. 2

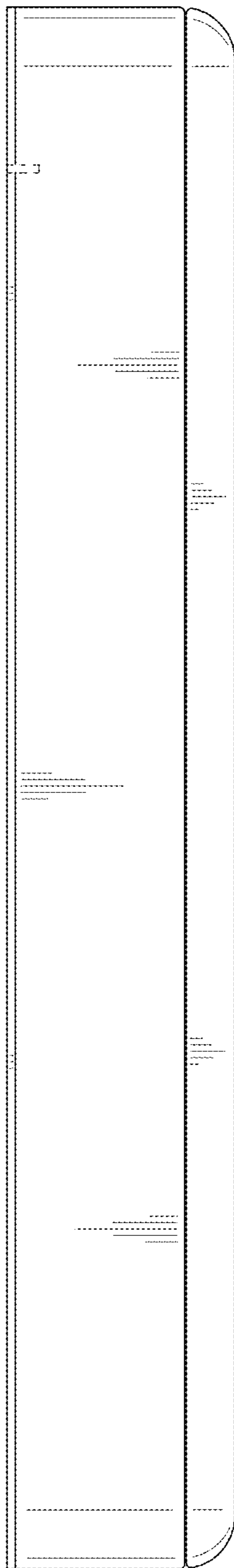


FIG. 3

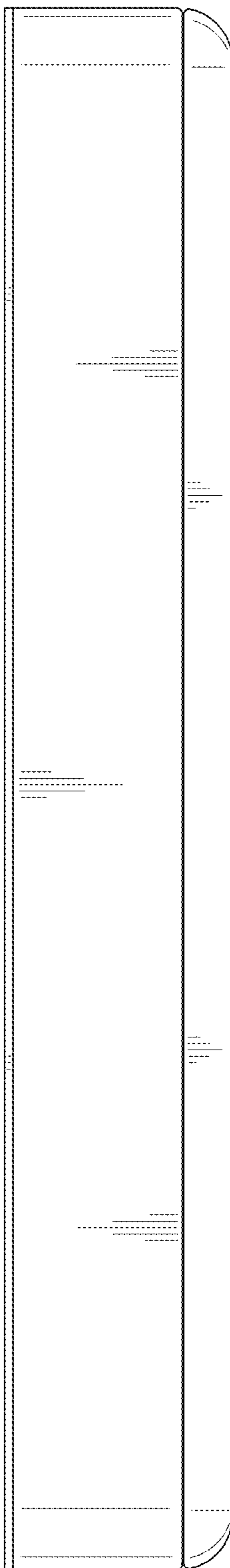


FIG. 4

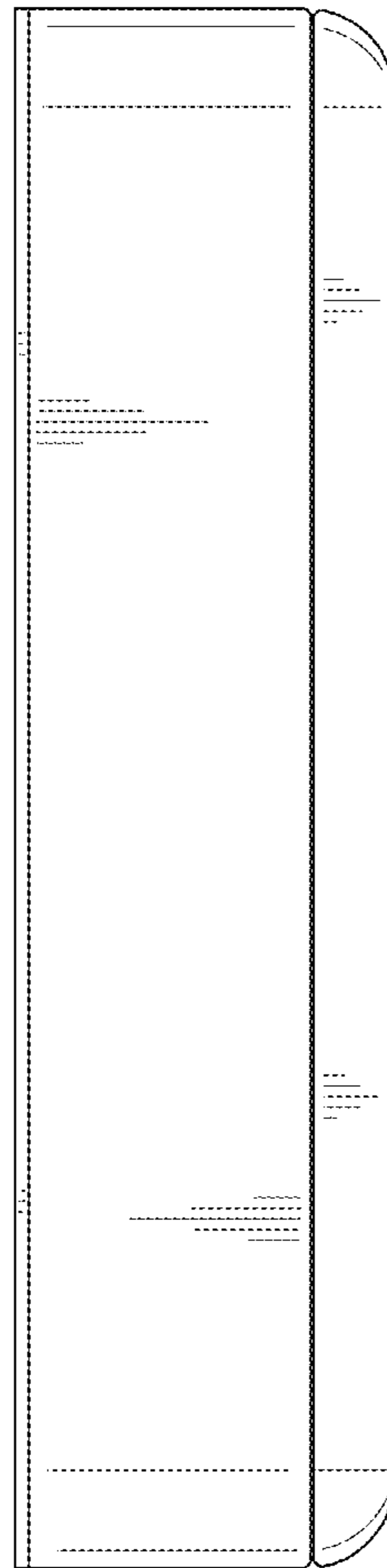


FIG. 5

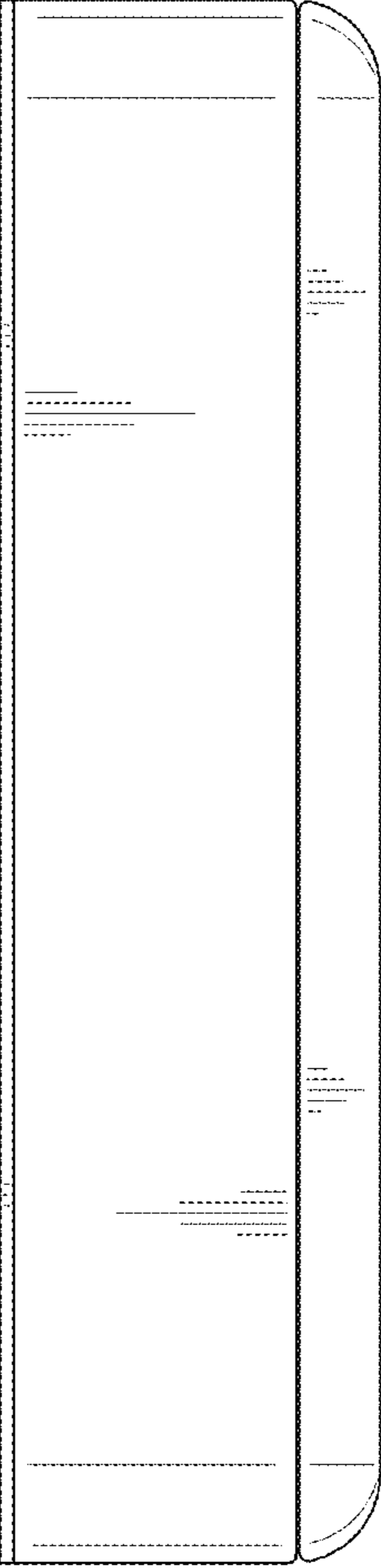


FIG. 6

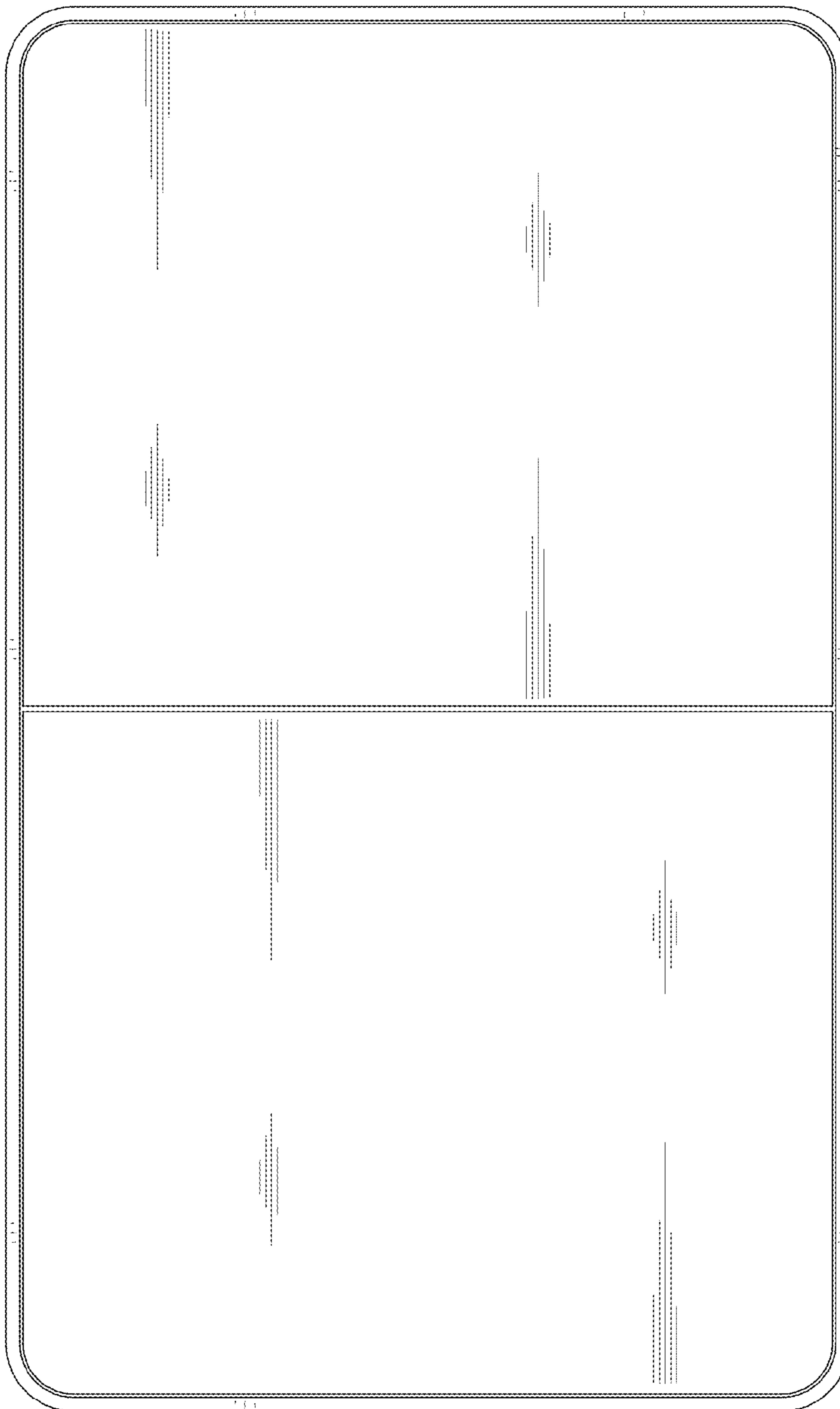


FIG. 7

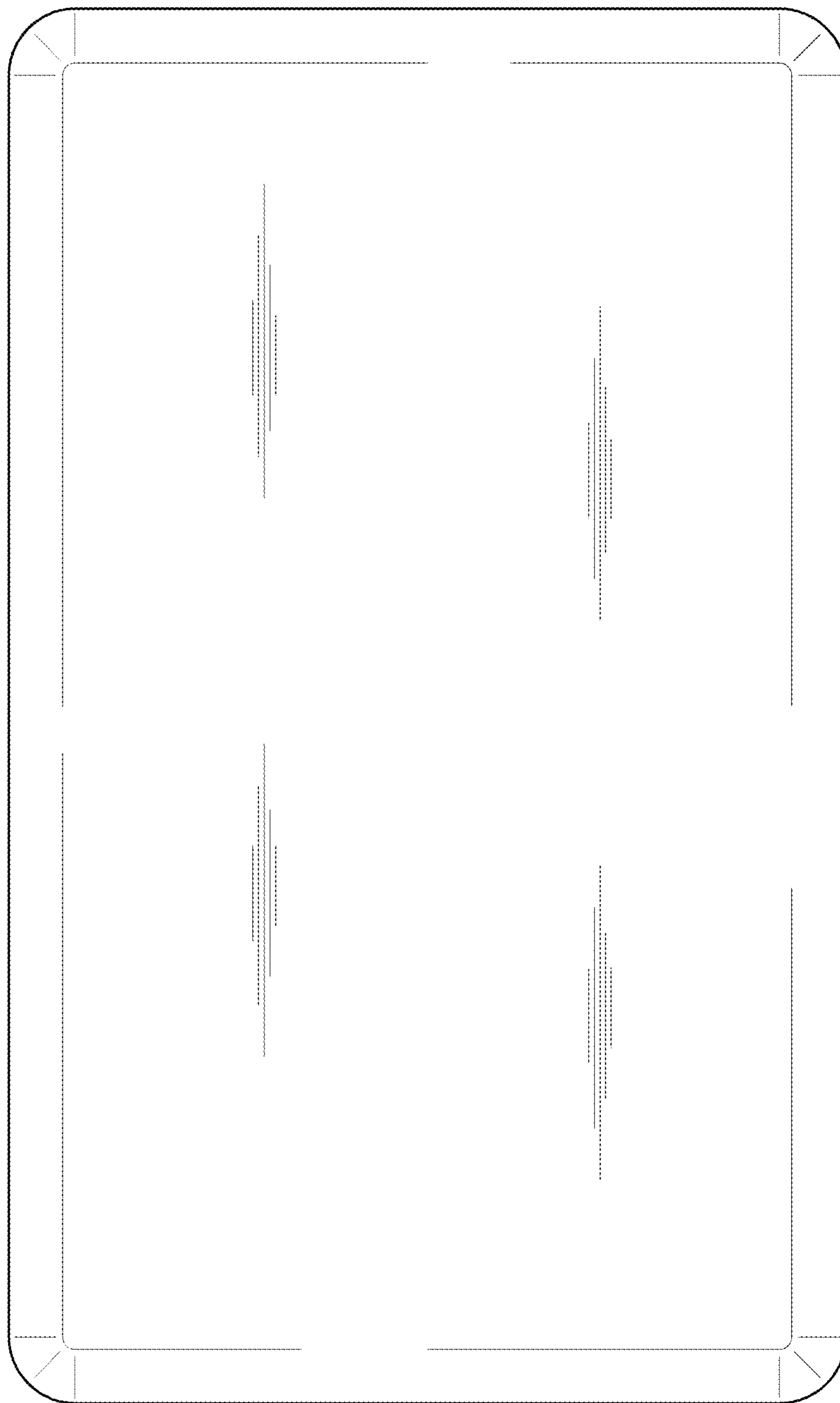


FIG. 8

