



US00D751633S

(12) **United States Design Patent**
Shih

(10) **Patent No.:** **US D751,633 S**
(45) **Date of Patent:** **** Mar. 15, 2016**

- (54) **STAMP**
- (71) Applicant: **Sun Same Enterprises Co., Ltd.**, Tainan (TW)
- (72) Inventor: **Wen-Jer Shih**, Tainan (TW)
- (73) Assignee: **Sun Same Enterprises Co., Ltd.**, Tainan (TW)
- (**) Term: **14 Years**
- (21) Appl. No.: **29/485,304**
- (22) Filed: **Mar. 18, 2014**
- (51) **LOC (10) Cl.** **19-02**
- (52) **U.S. Cl.**
USPC **D18/15**
- (58) **Field of Classification Search**
USPC D18/15, 16, 17, 18, 50; D19/65–68, 70, D19/71; 101/104, 333, 334, 327, 328, 405, 101/406; 108/264, 268
CPC B41K 1/00; B41K 1/006; B41K 1/02; B41K 1/08; B41K 1/40; B41K 1/42; B41K 1/52; B41K 1/54; B41K 1/56; B41K 1/10; B41K 1/12; B41K 1/14; B41K 1/16
See application file for complete search history.

7,921,772 B2 * 4/2011 Shih B41K 1/40
101/333
D687,416 S * 8/2013 Lee D14/218
D691,118 S * 10/2013 Ingham D14/218
D715,858 S * 10/2014 Chinitz D19/62
2005/0056173 A1 * 3/2005 Dour B41K 1/40
101/333

FOREIGN PATENT DOCUMENTS

CN 301118097 * 1/2010
CN 302917668 * 8/2014

* cited by examiner

Primary Examiner — Bridget L Eland
Assistant Examiner — Lauren McVey

(74) *Attorney, Agent, or Firm* — C. G. Mersereau; Nikolai & Mersereau, P.A.

(57) **CLAIM**

The ornamental design for a stamp, as shown and described.

DESCRIPTION

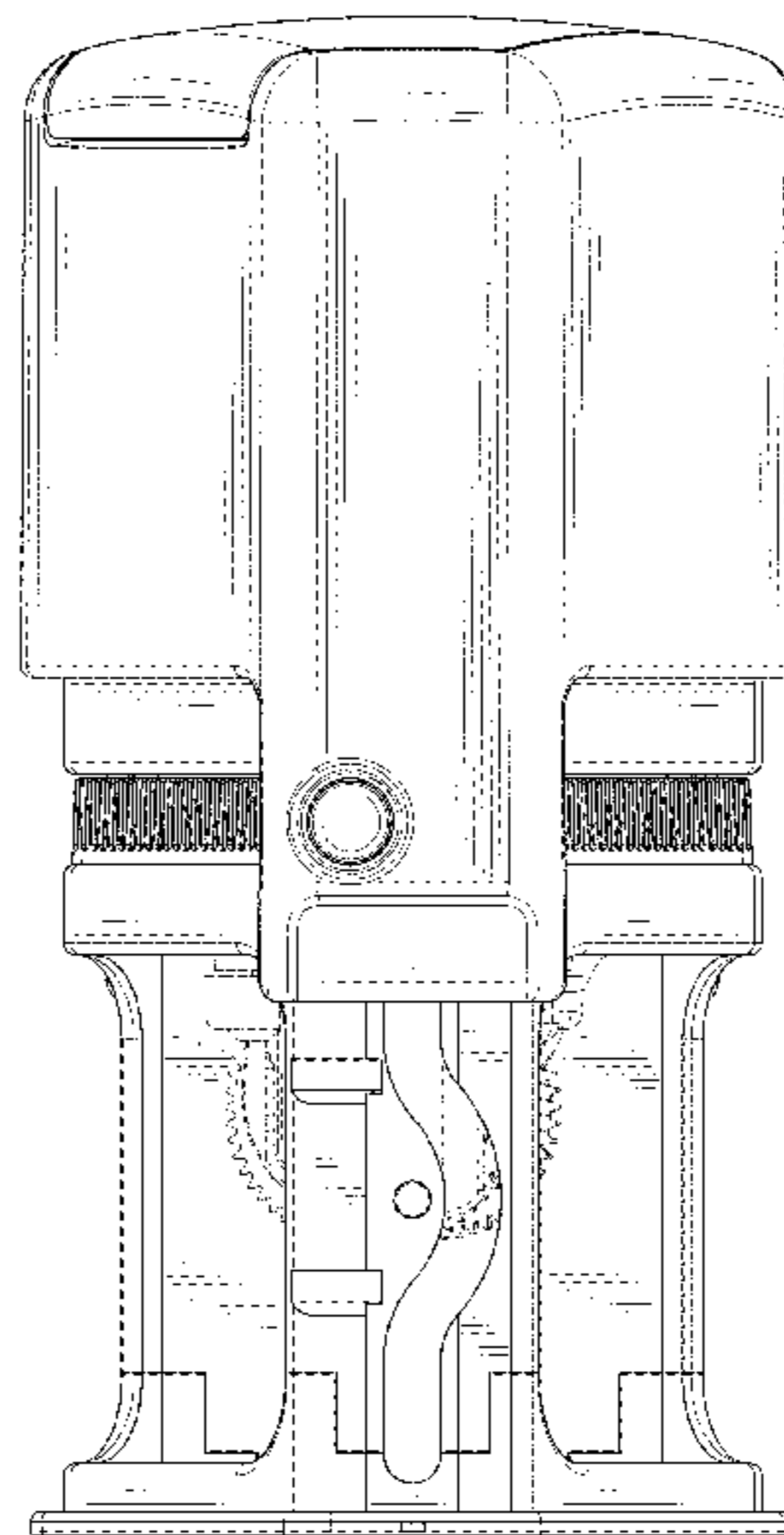
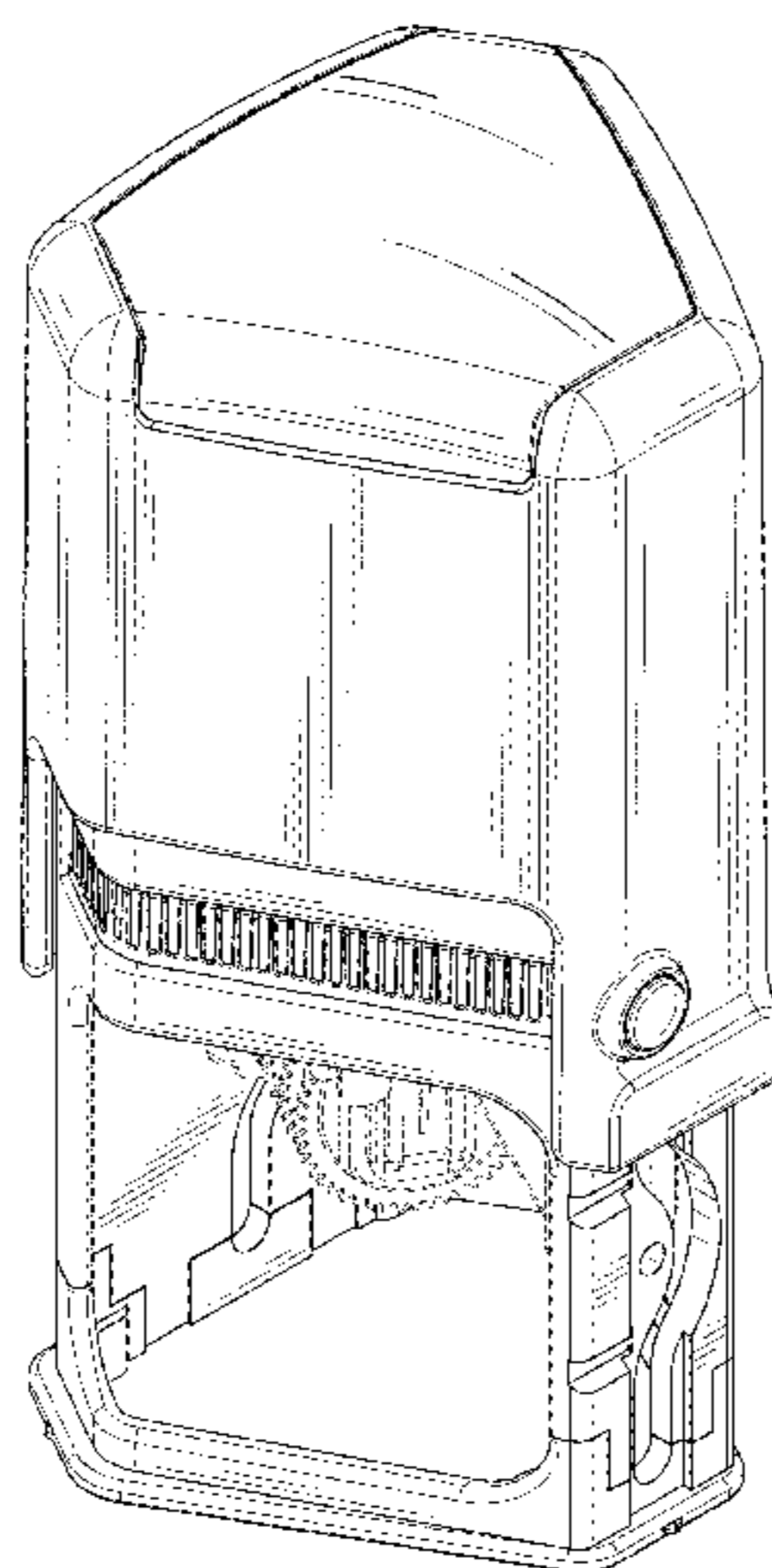
FIG. 1 is a perspective view of a stamp showing my new design;
FIG. 2 is a front view thereof;
FIG. 3 is a rear view thereof;
FIG. 4 is a left view thereof;
FIG. 5 is a right view thereof;
FIG. 6 is a top view thereof;
FIG. 7 is a bottom view thereof;
FIG. 8 is another perspective view thereof; and,
FIG. 9 is still another perspective view thereof.
The broken lines shown in the views are directed to environment and are for illustrative purposes only; the broken lines form no part of the claimed design.
The wire frame lines shown throughout the views are intended to indicate surface contour and are not intended to be surface ornamentation.

1 Claim, 9 Drawing Sheets

(56) **References Cited**

U.S. PATENT DOCUMENTS

4,939,990 A * 7/1990 Inaguma B41K 1/04
101/109
D371,386 S * 7/1996 Smith D18/15
6,843,173 B2 * 1/2005 Shih B41K 1/40
101/111
6,892,638 B2 * 5/2005 Sculler B41K 1/42
101/327
D516,117 S * 2/2006 Shih D18/15
D568,381 S * 5/2008 Shih D18/15
D607,490 S * 1/2010 Shih D18/15
D616,922 S * 6/2010 Faber D18/18



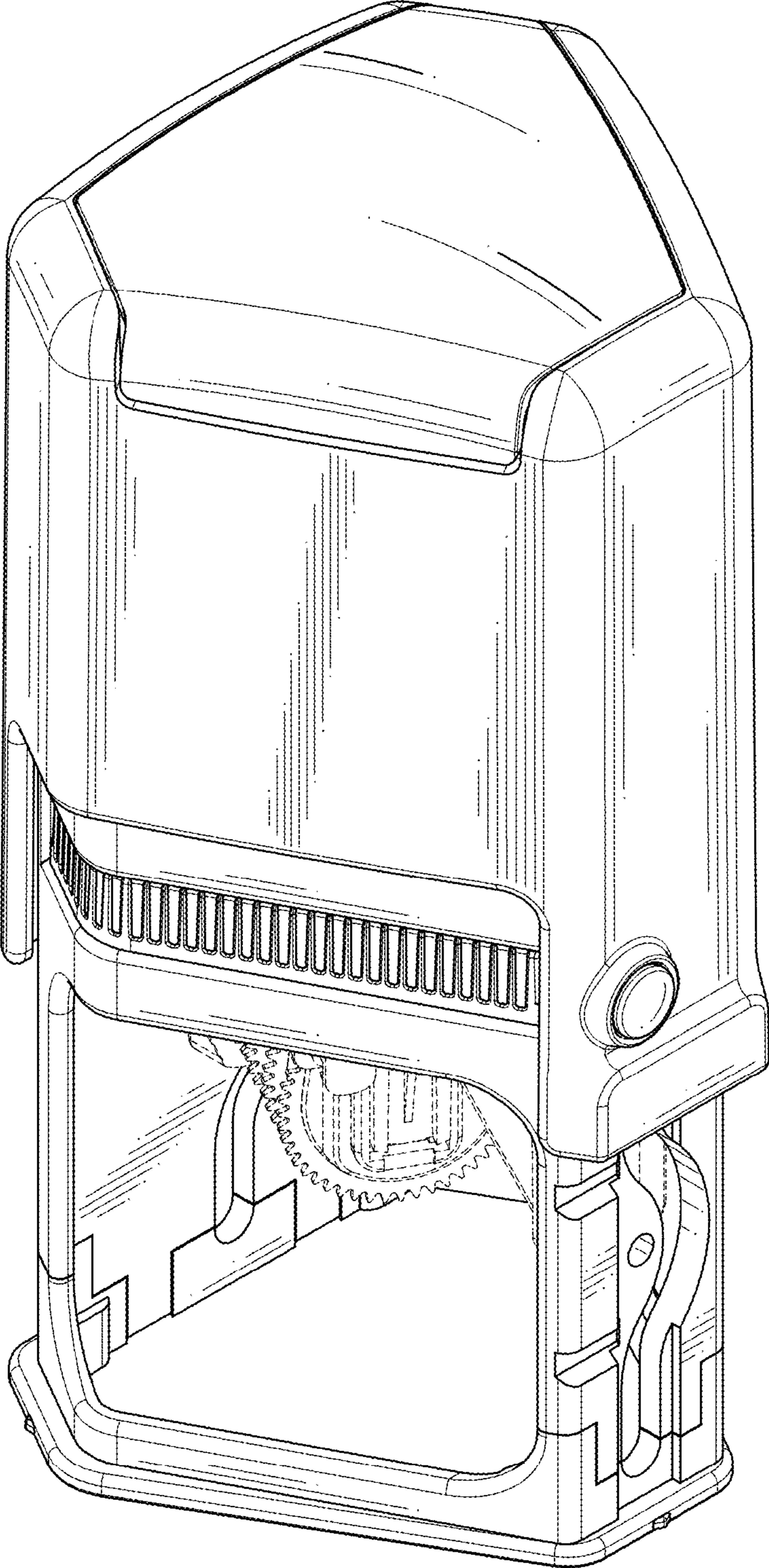


FIG.1

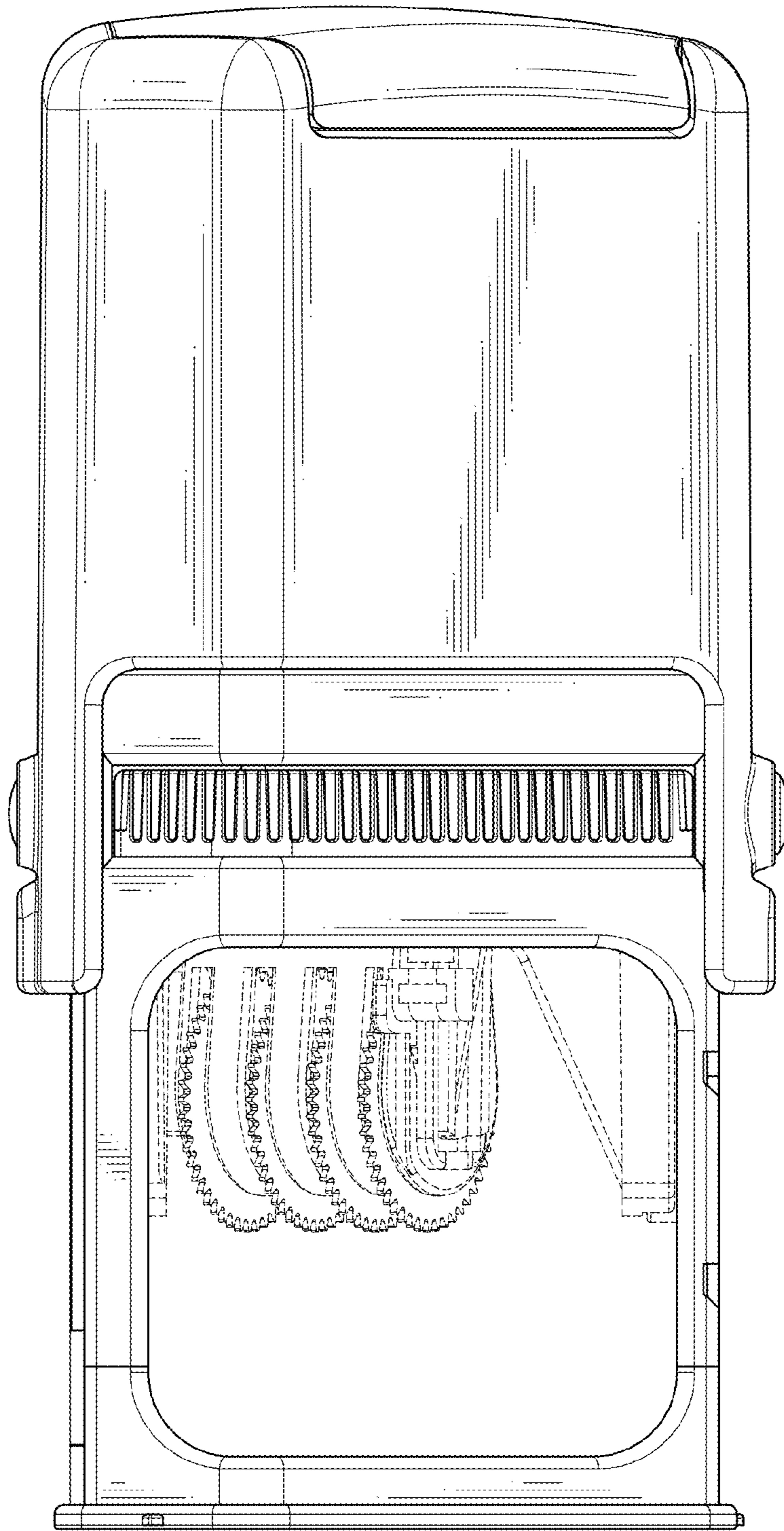


FIG.2

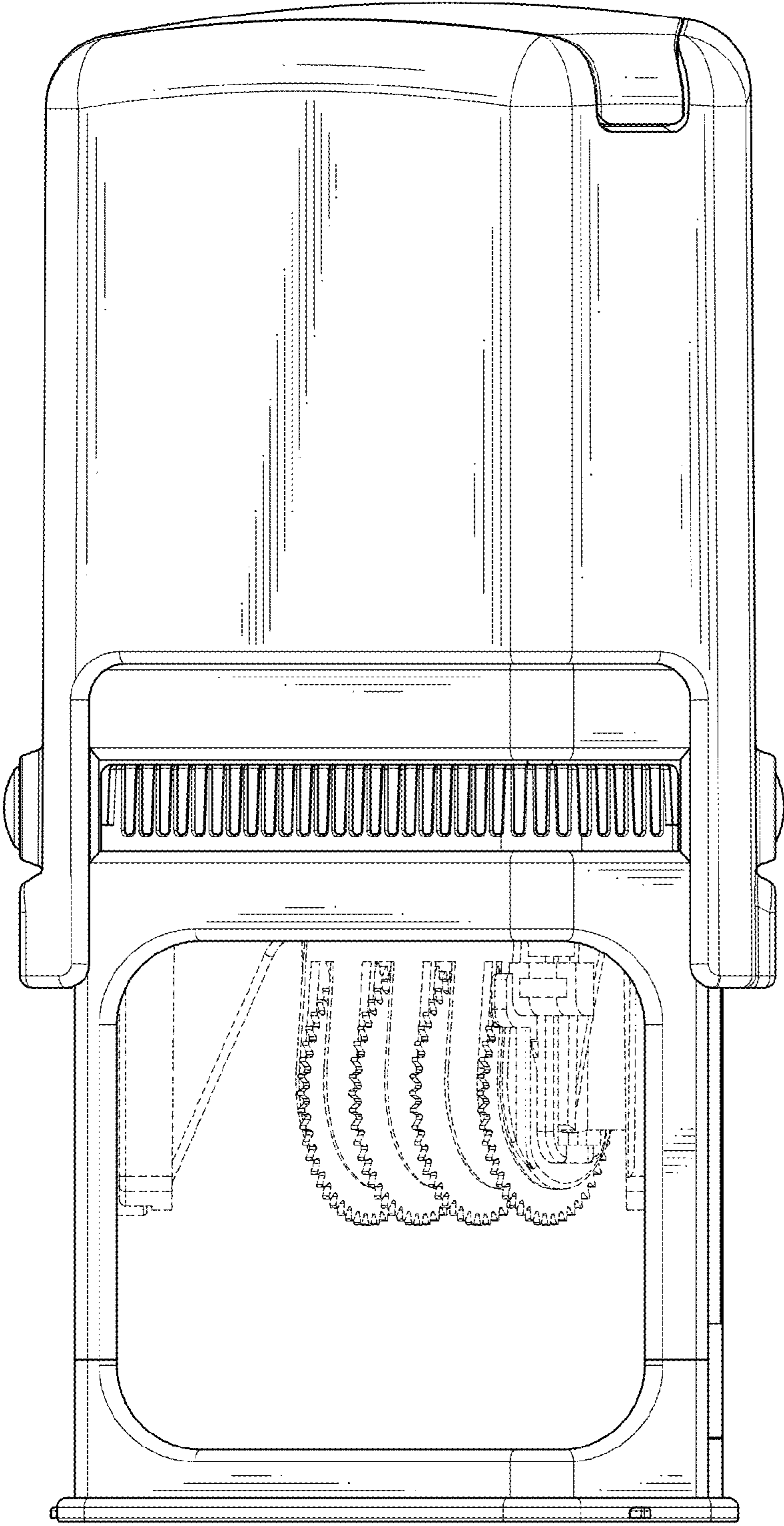


FIG.3

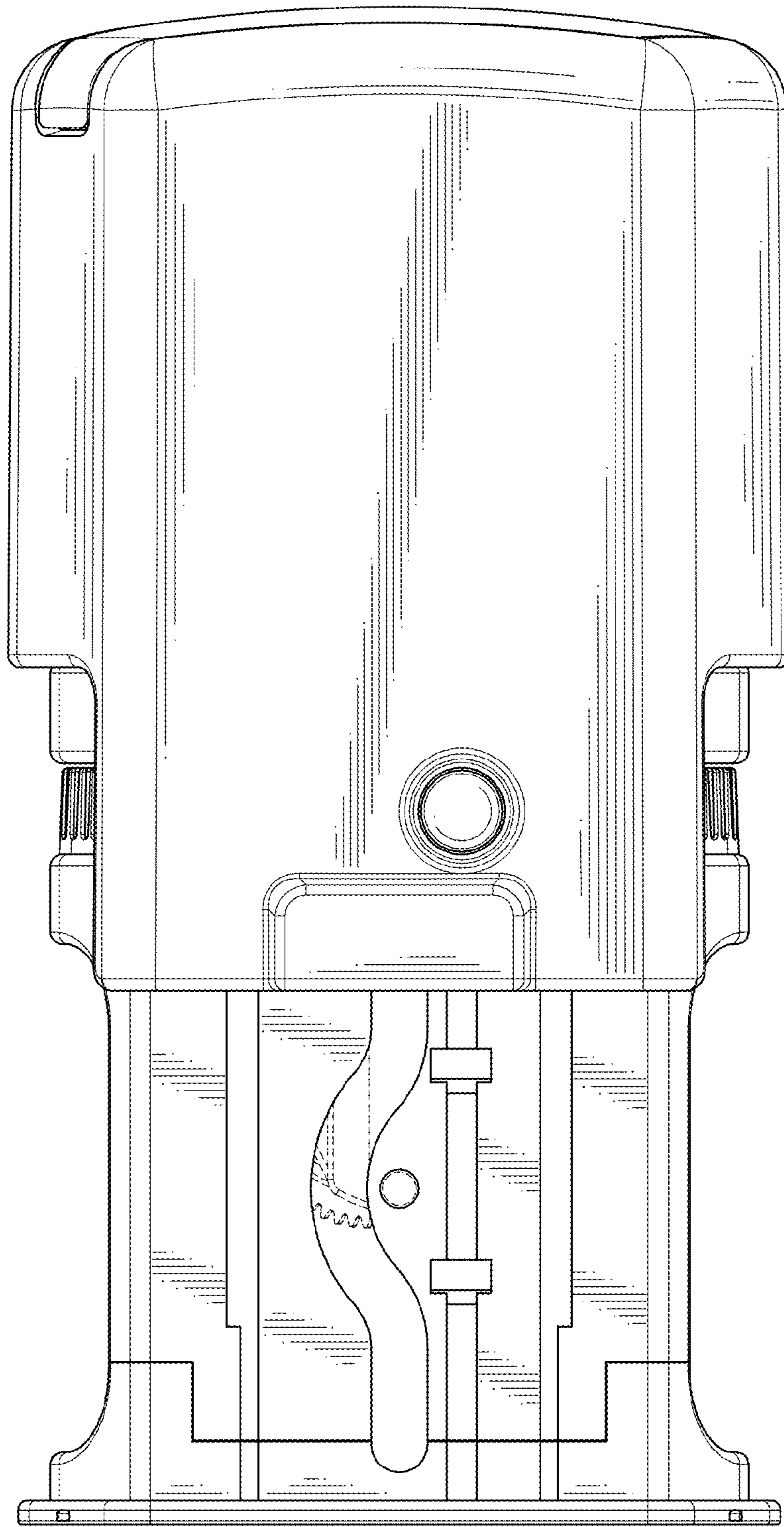


FIG.4

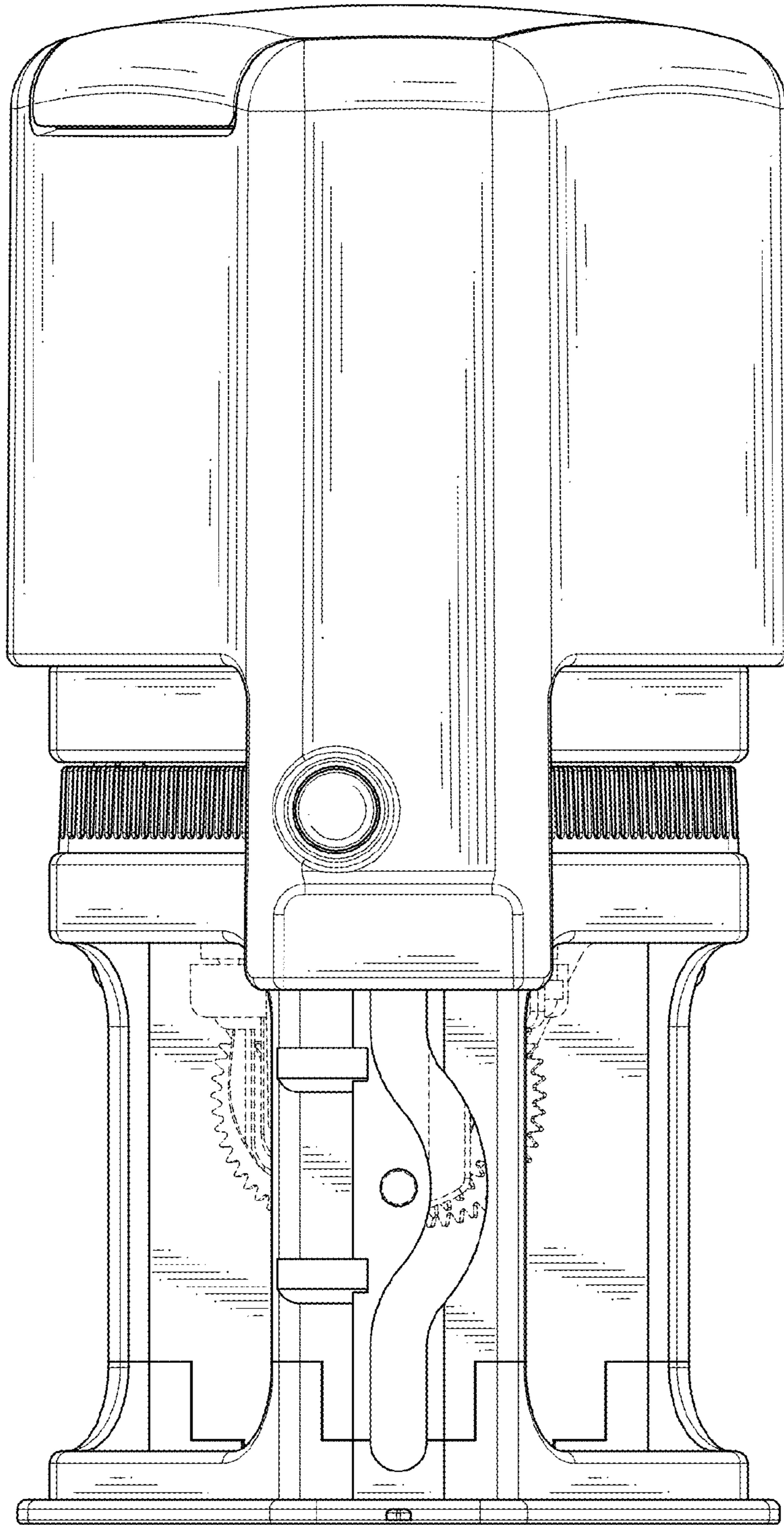


FIG. 5

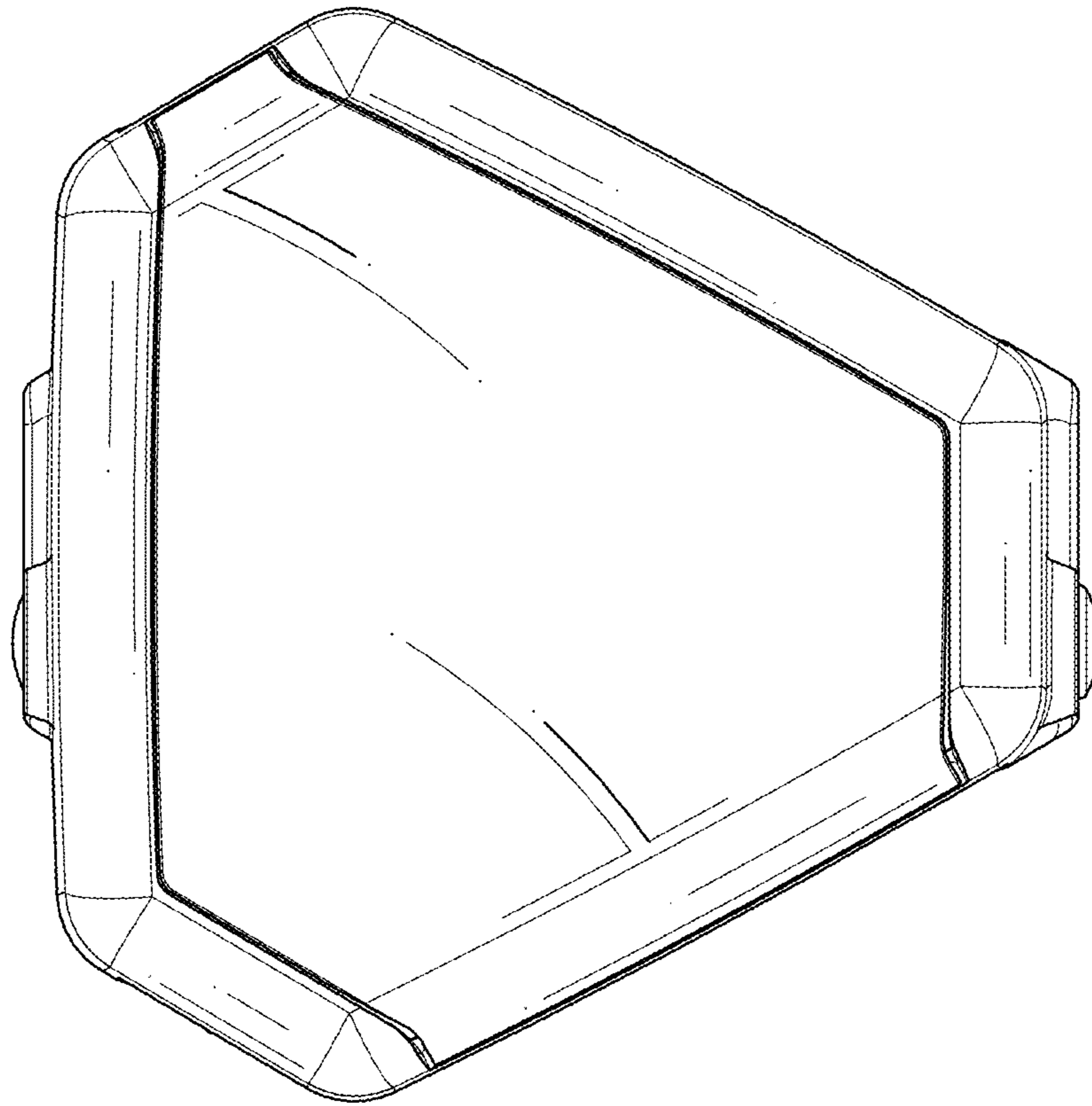


FIG.6

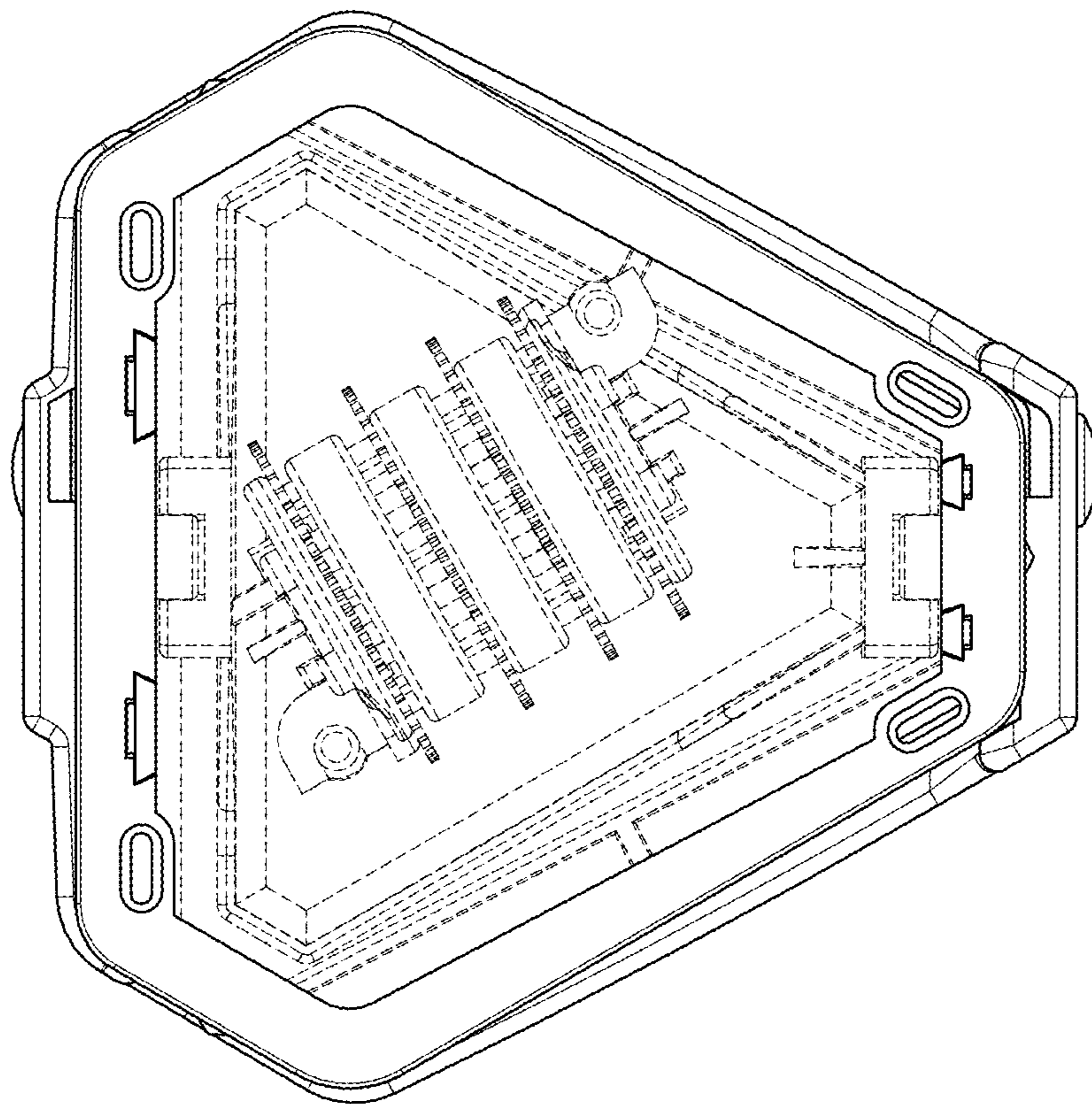


FIG.7

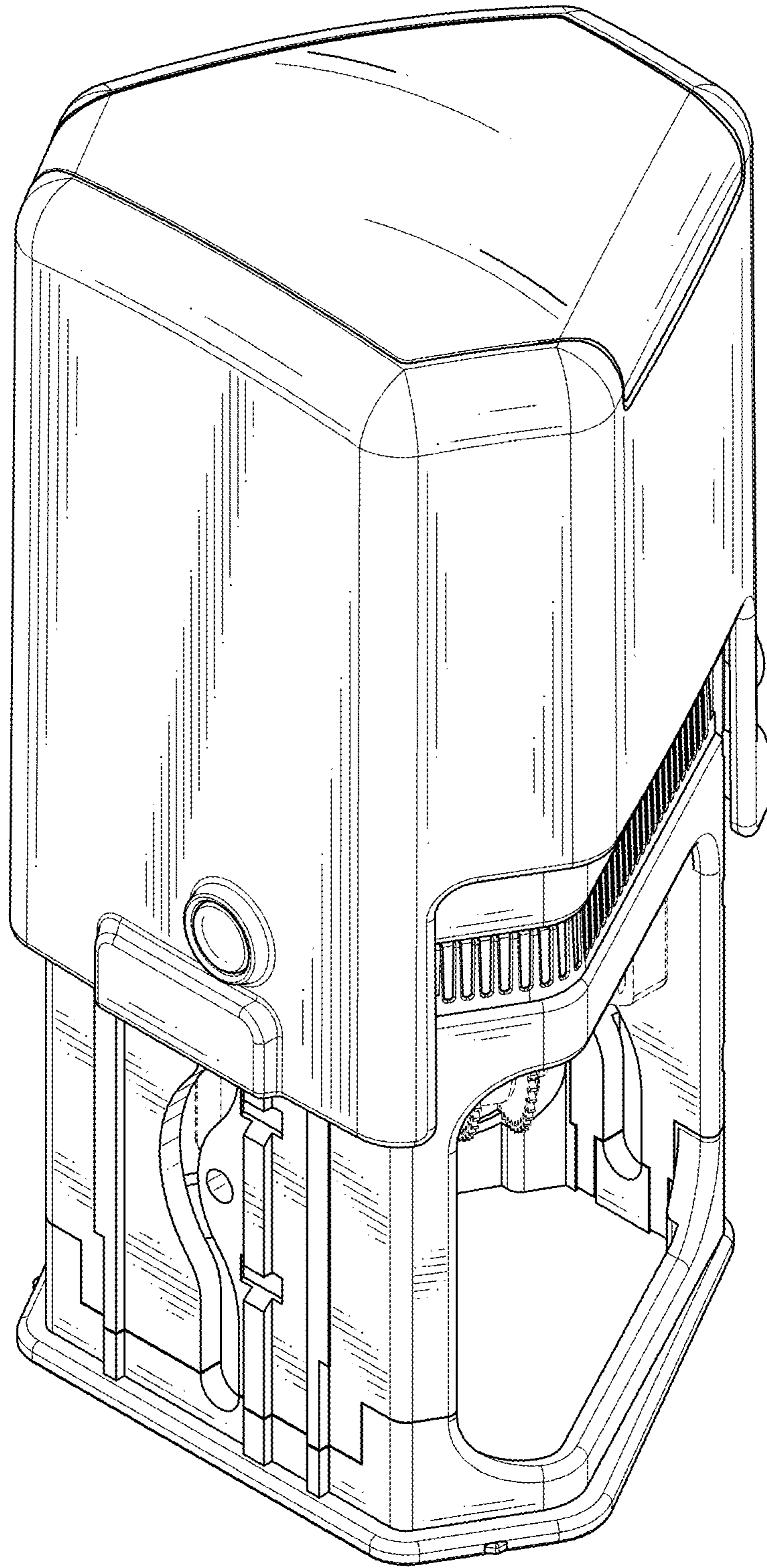


FIG.8

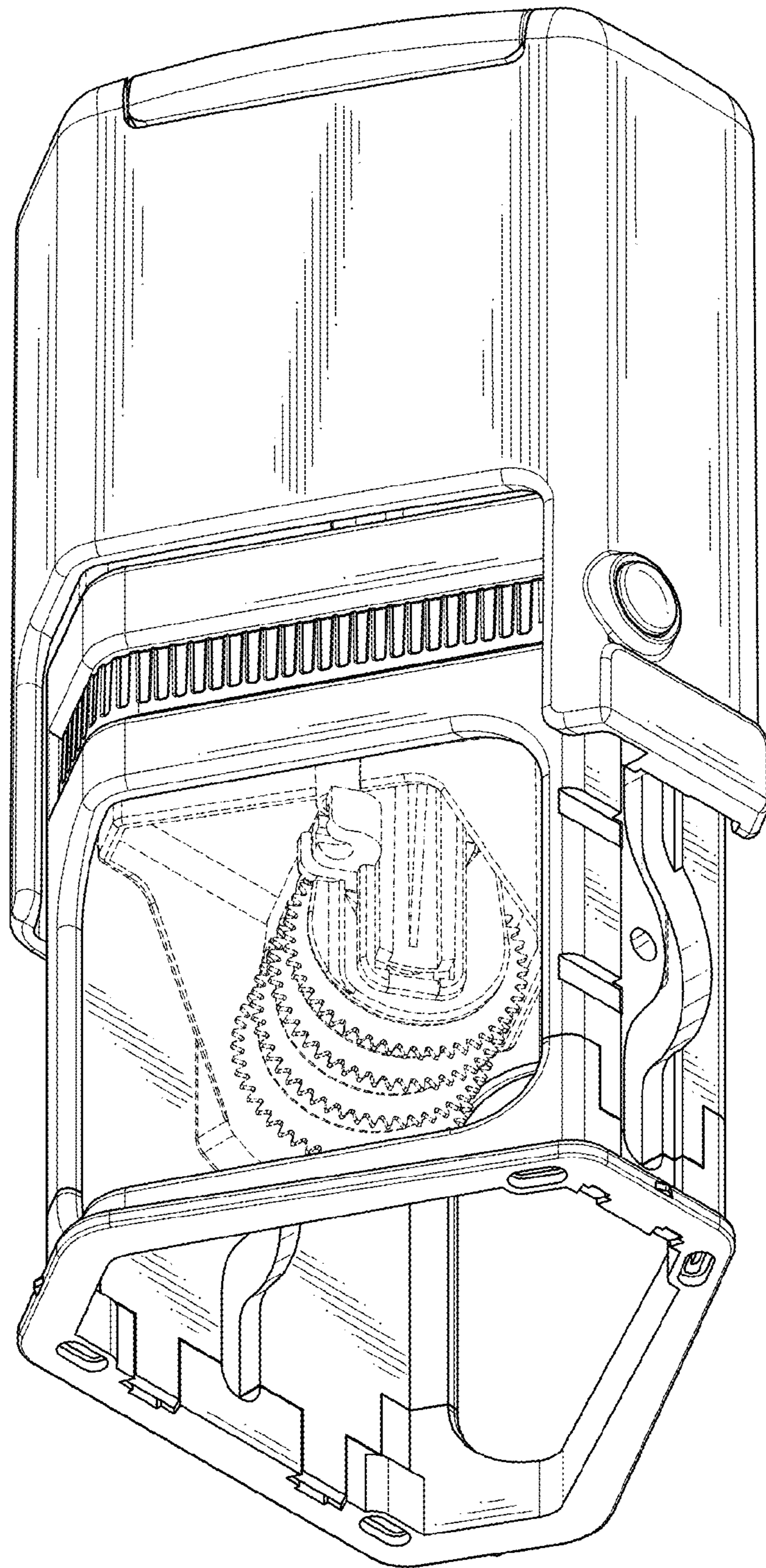


FIG.9