



US00D751632S

(12) **United States Design Patent**
Dennis

(10) **Patent No.:** **US D751,632 S**
(45) **Date of Patent:** **** Mar. 15, 2016**

(54) **COIN COUNTING DEVICE**

(71) Applicant: **CoinedBox, Inc.**, Santa Monica, CA
(US)

(72) Inventor: **Michael Dennis**, Santa Monica, CA
(US)

(73) Assignee: **CoinedBox, Inc.**, Santa Monica, CA
(US)

(**) Term: **14 Years**

(21) Appl. No.: **29/503,414**

(22) Filed: **Sep. 25, 2014**

(51) **LOC (10) Cl.** **18-01**

(52) **U.S. Cl.**
USPC **D18/3.1**

(58) **Field of Classification Search**
USPC D18/3.1, 3.2, 3.3, 4.1, 4.4, 12, 12.1,
D18/12.2, 12.3, 46, 47; D99/28, 34, 35, 36,
D99/43, 99; 382/135, 136, 137, 138;
109/1 V, 45, 46; 206/0.8, 0.81, 0.815,
206/0.82, 0.83, 0.84
CPC G07D 1/00; G07D 1/02; G07D 1/04;
G07D 1/06; G07D 1/08; G07D 3/00; G07D
3/02; G07D 3/04; G07D 3/12; G07D 3/121;
G07D 3/123; G07D 3/16; G07D 9/00; G07D
9/002; G07D 9/004; G07D 9/008; G07D 9/04;
G07D 9/06; G07D 11/00; G07D 11/009;
G07D 13/00; G07D 2201/00; G07D 2211/00

See application file for complete search history.

(56) **References Cited**

U.S. PATENT DOCUMENTS

D110,033 S * 6/1938 Murphy D18/3.1
D460,102 S * 7/2002 Perkitny D18/3.1
6,656,033 B2 * 12/2003 Abe G07D 9/008
194/350

(Continued)

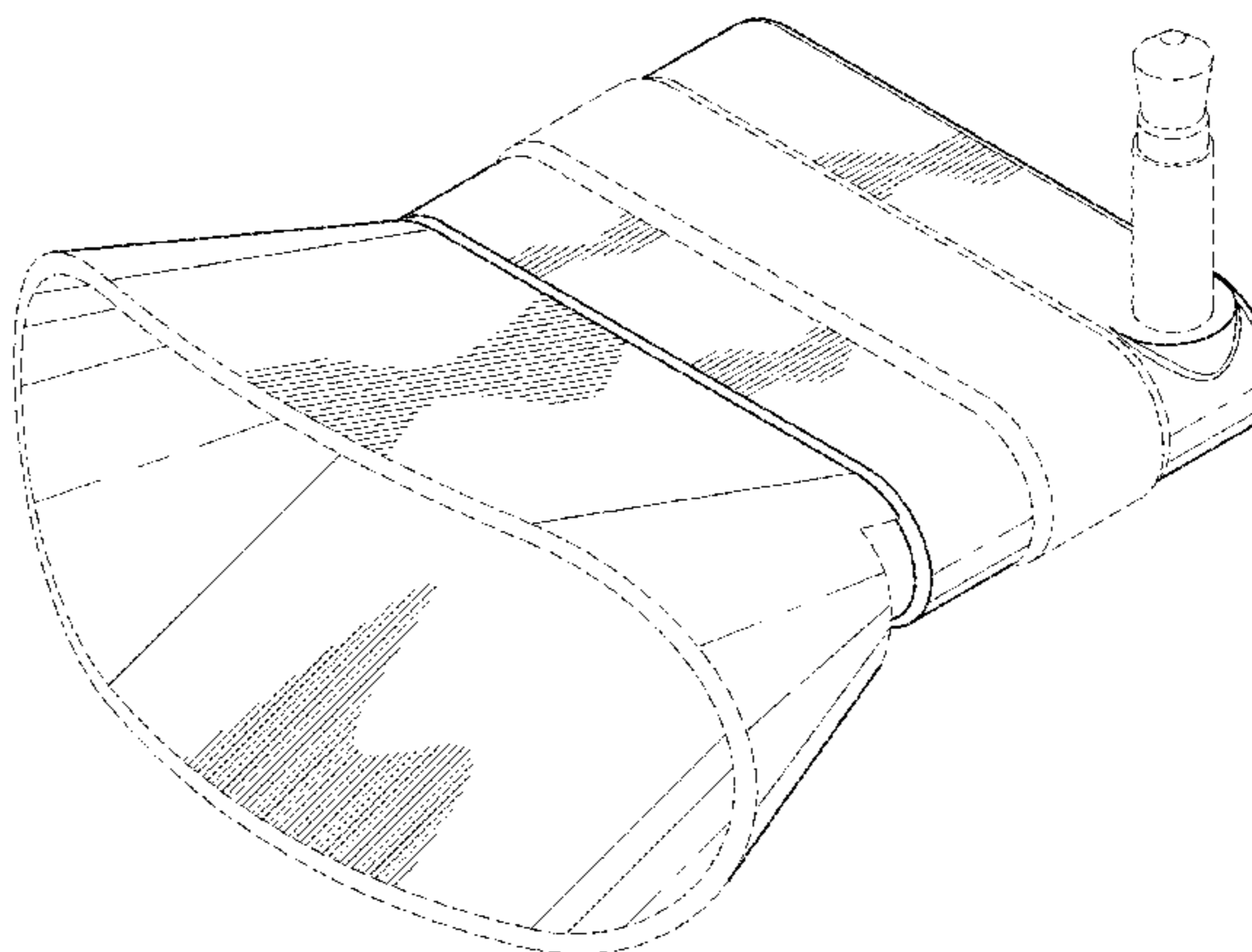
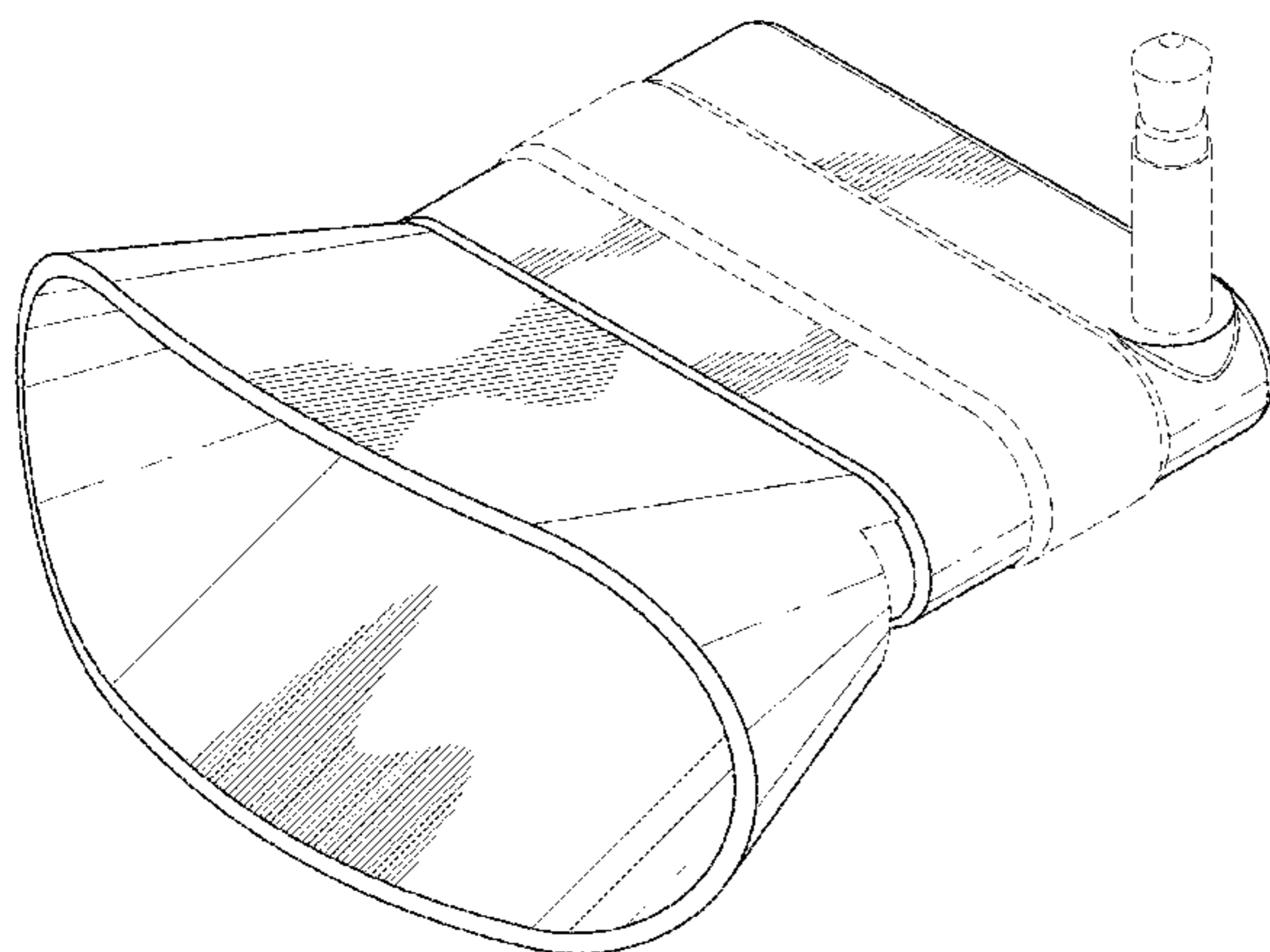
Primary Examiner — Elizabeth J Oswecki
(74) *Attorney, Agent, or Firm* — KPPB LLP

(57) **CLAIM**
The ornamental design for a coin counting device, as shown and described.

DESCRIPTION

FIG. 1 is a front perspective view of a first embodiment of a counting device showing my new design;
FIG. 2 is a bottom perspective view of the coin counting device of FIG. 1;
FIG. 3 is a front view of the coin counting device of FIG. 1;
FIG. 4 is a back view of the coin counting device of FIG. 1;
FIG. 5 is a left view of the coin counting device of FIG. 1;
FIG. 6 is a right view of the coin counting device of FIG. 1;
FIG. 7 is a top view of the coin counting device of FIG. 1;
FIG. 8 is a bottom view of the coin counting device of FIG. 1;
FIG. 9 is a front perspective view of a second embodiment of a coin counting device showing my new design;
FIG. 10 is a bottom perspective view of the coin counting device of FIG. 9;
FIG. 11 is a front view of the coin counting device of FIG. 9;
FIG. 12 is a back view of the coin counting device of FIG. 9;
FIG. 13 is a left view of the coin counting device of FIG. 9;
FIG. 14 is a right view of the coin counting device of FIG. 9;
FIG. 15 is a top view of the coin counting device of FIG. 9;
and,
FIG. 16 is a bottom view of the coin counting device of FIG. 9.
The broken lines shown in the drawings represent portions of the coin counting device that form no part of the claimed design.

1 Claim, 12 Drawing Sheets



US D751,632 S

Page 2

(56)

References Cited

U.S. PATENT DOCUMENTS

6,761,627 B2 * 7/2004 Abe G07D 9/008
453/56

D505,693 S * 5/2005 Kurosawa D18/3.1
D513,622 S * 1/2006 Kao D18/3.1
D541,004 S * 4/2007 Berg D18/3.1

* cited by examiner

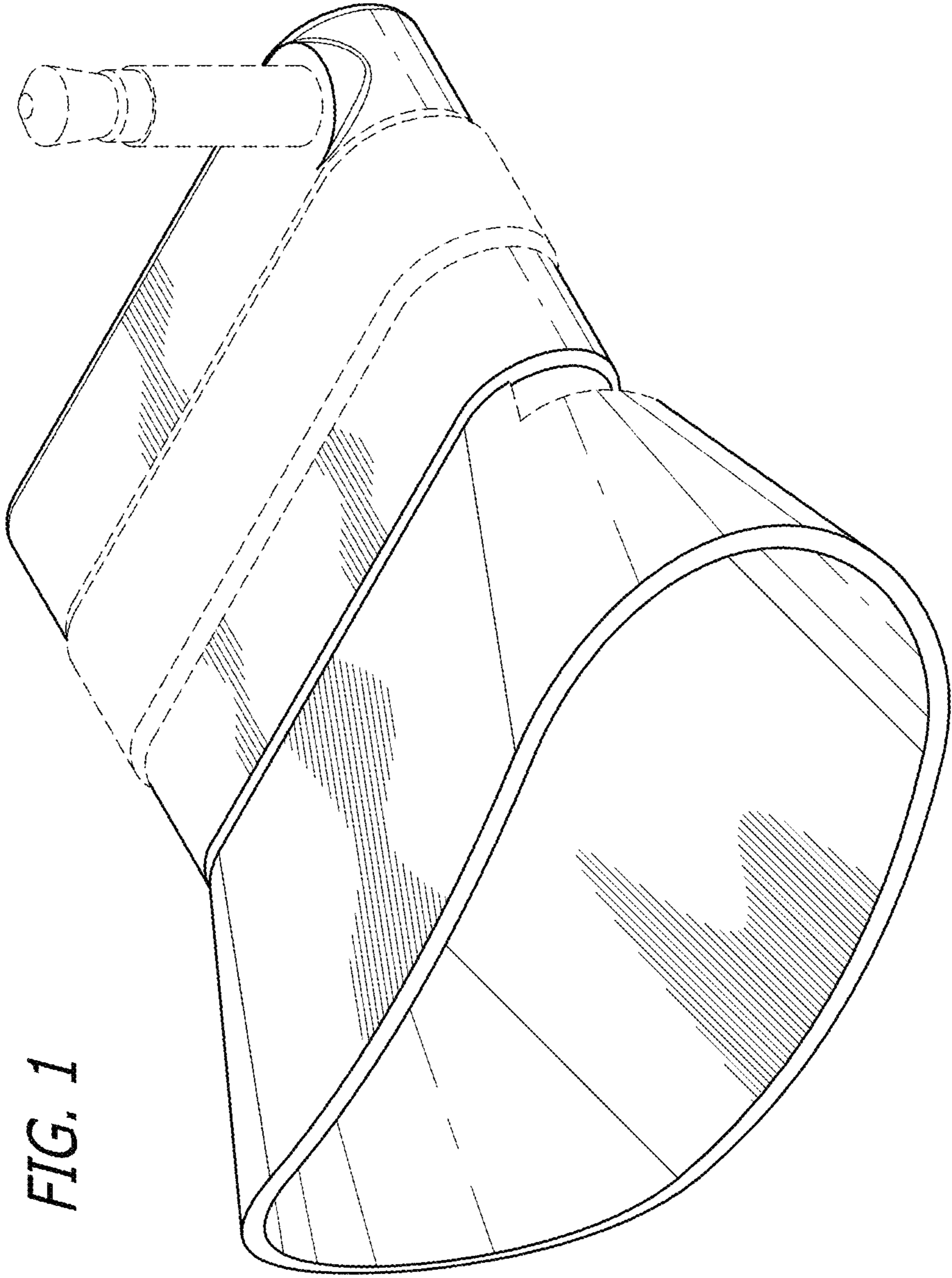


FIG. 1

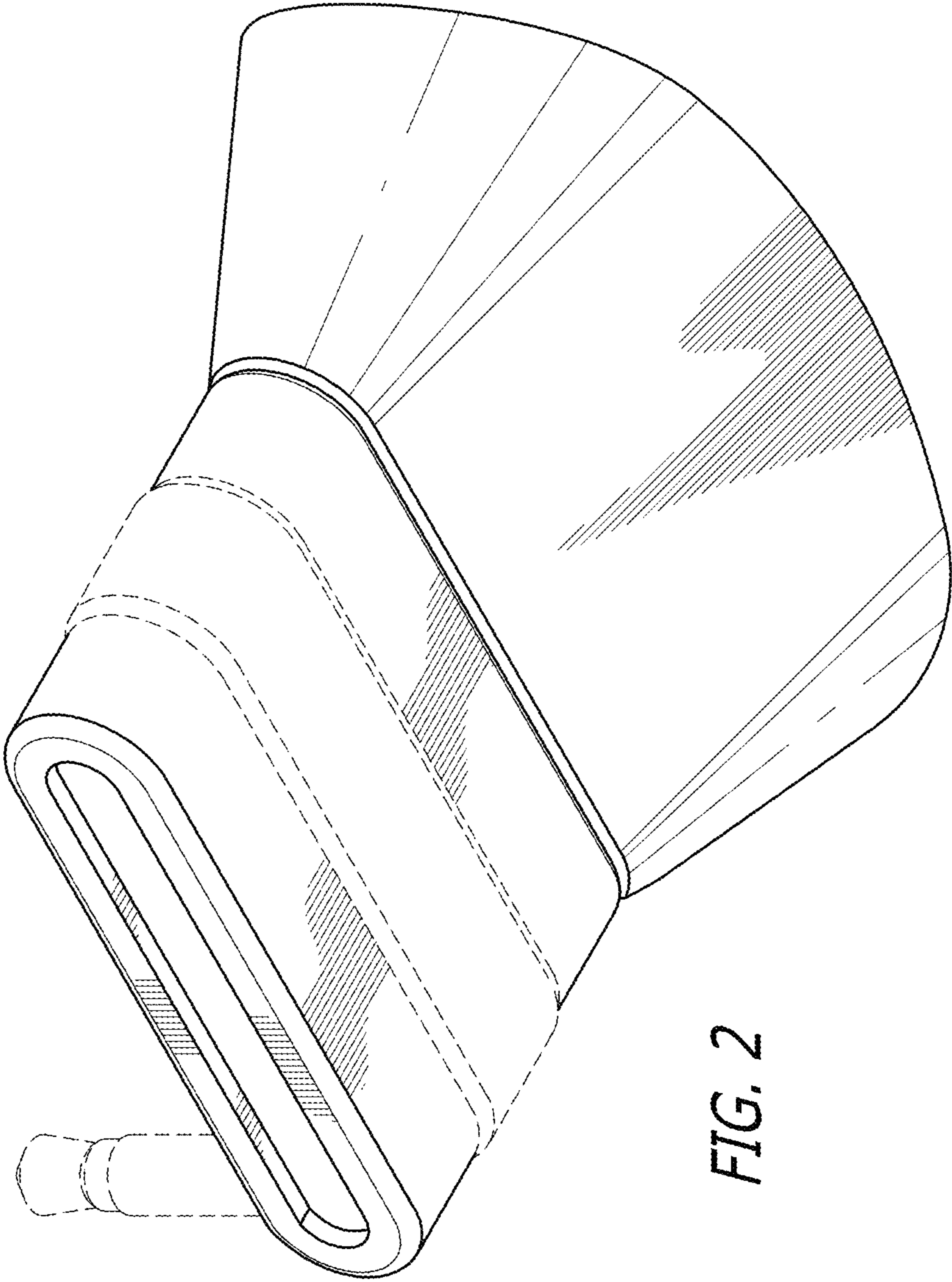


FIG. 2

FIG. 3

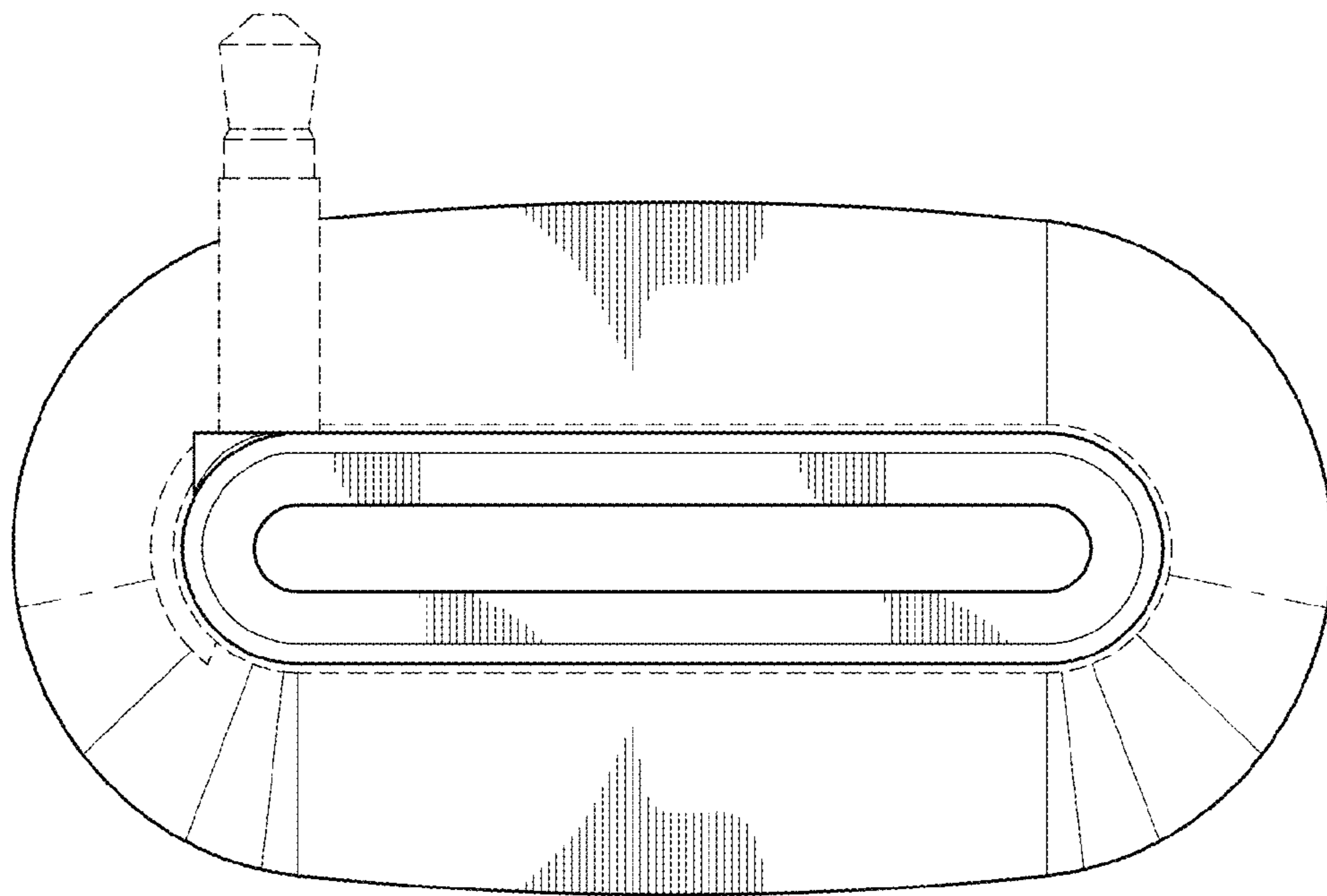
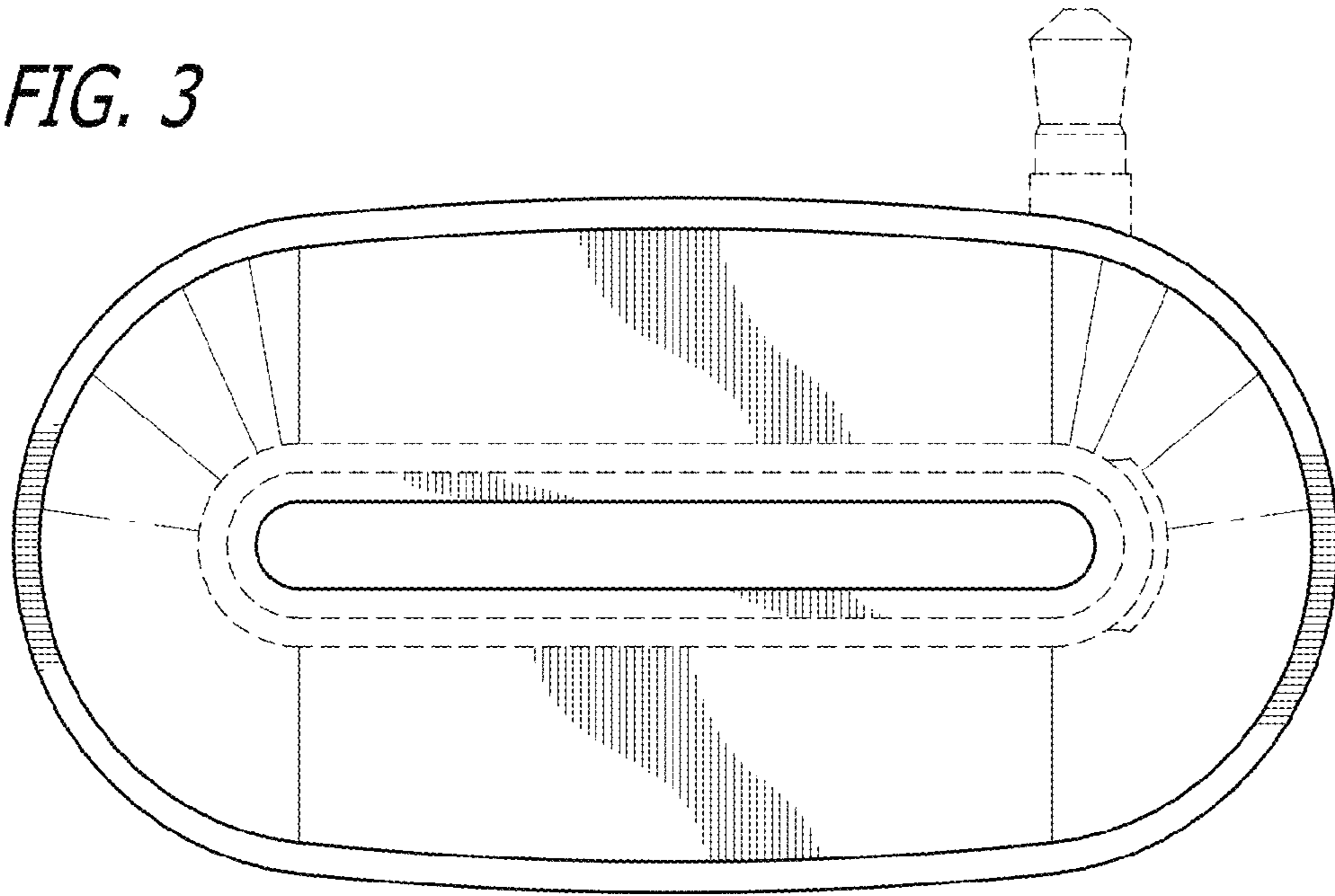


FIG. 4

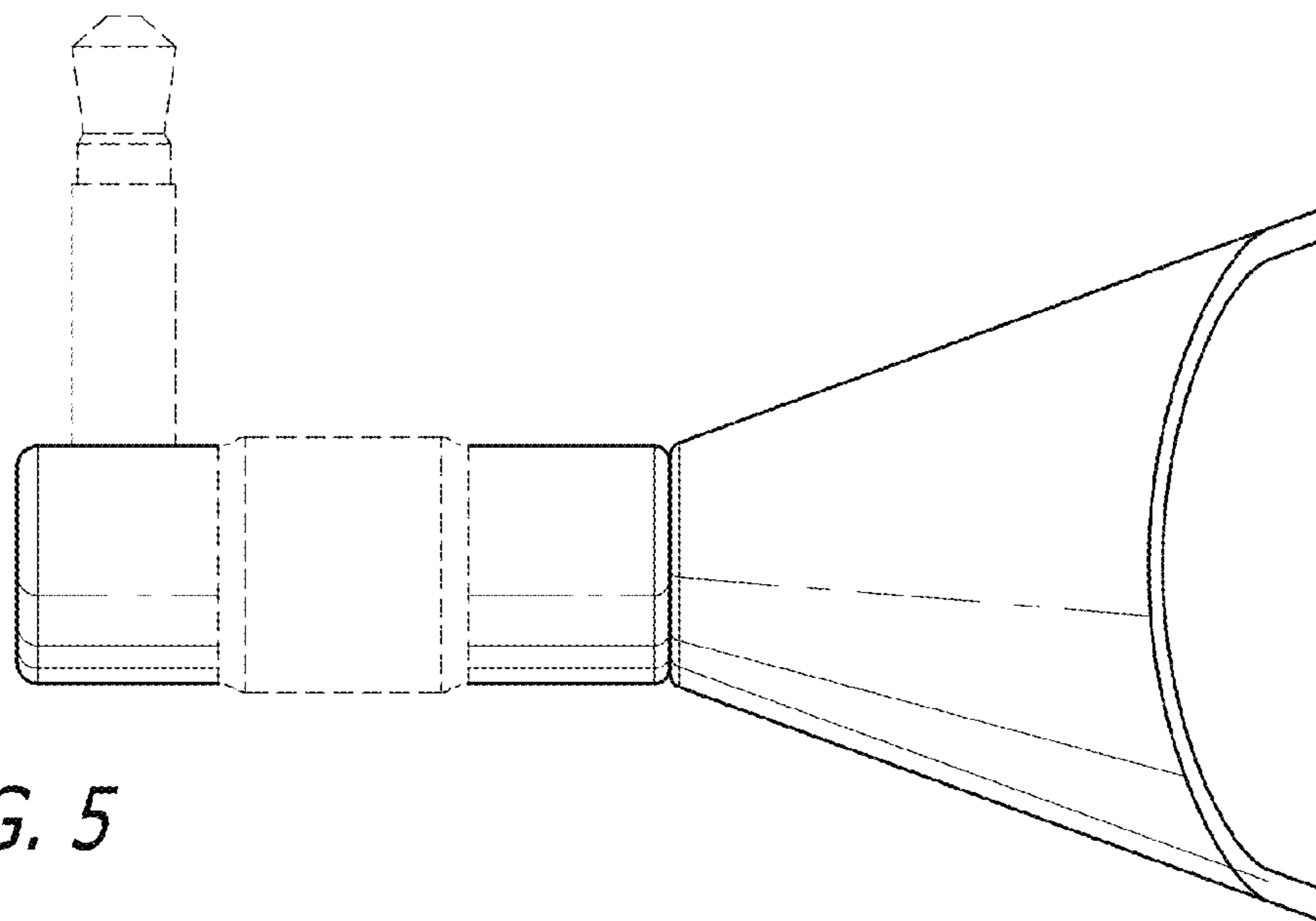


FIG. 5

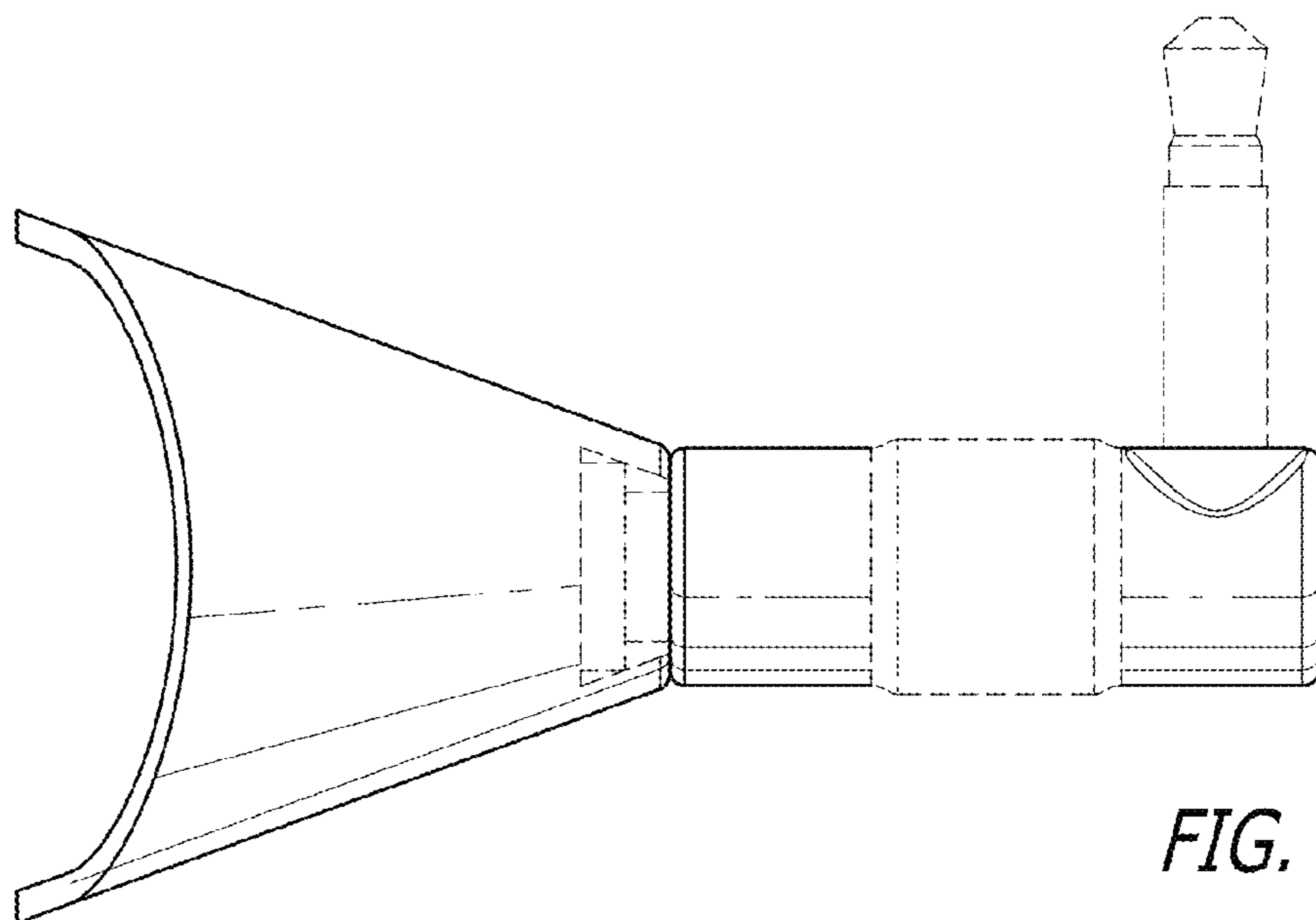


FIG. 6

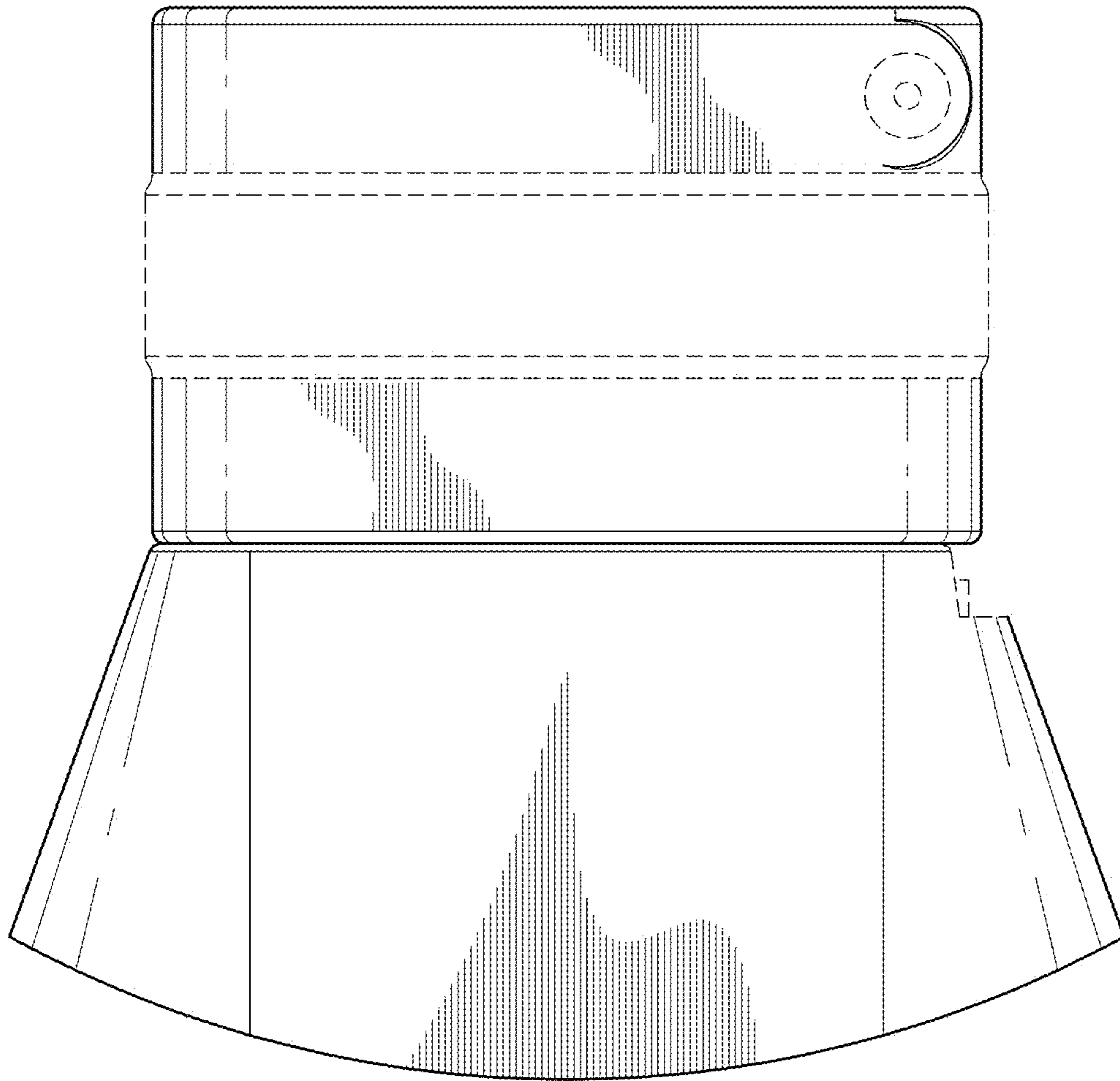


FIG. 7

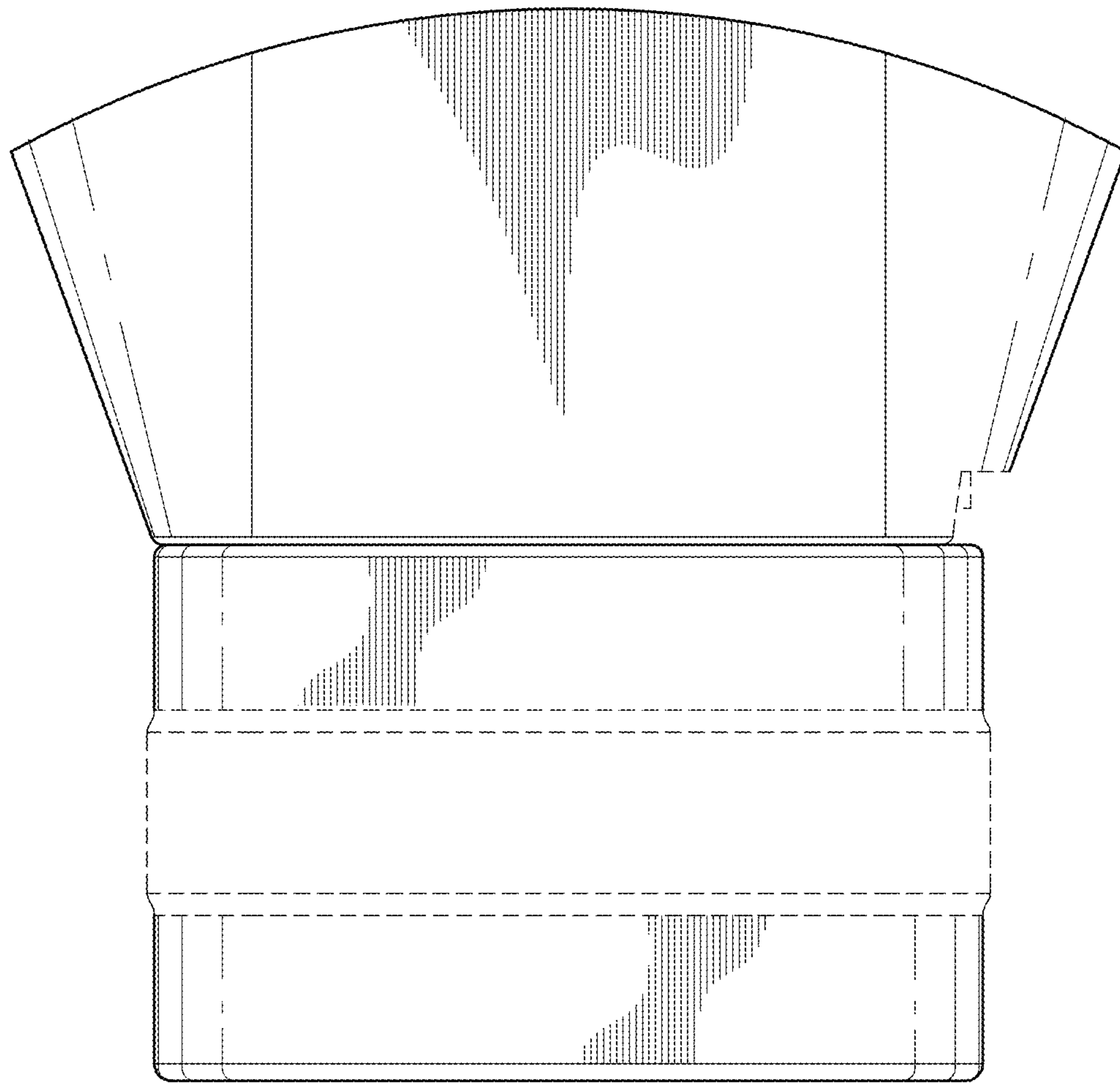


FIG. 8

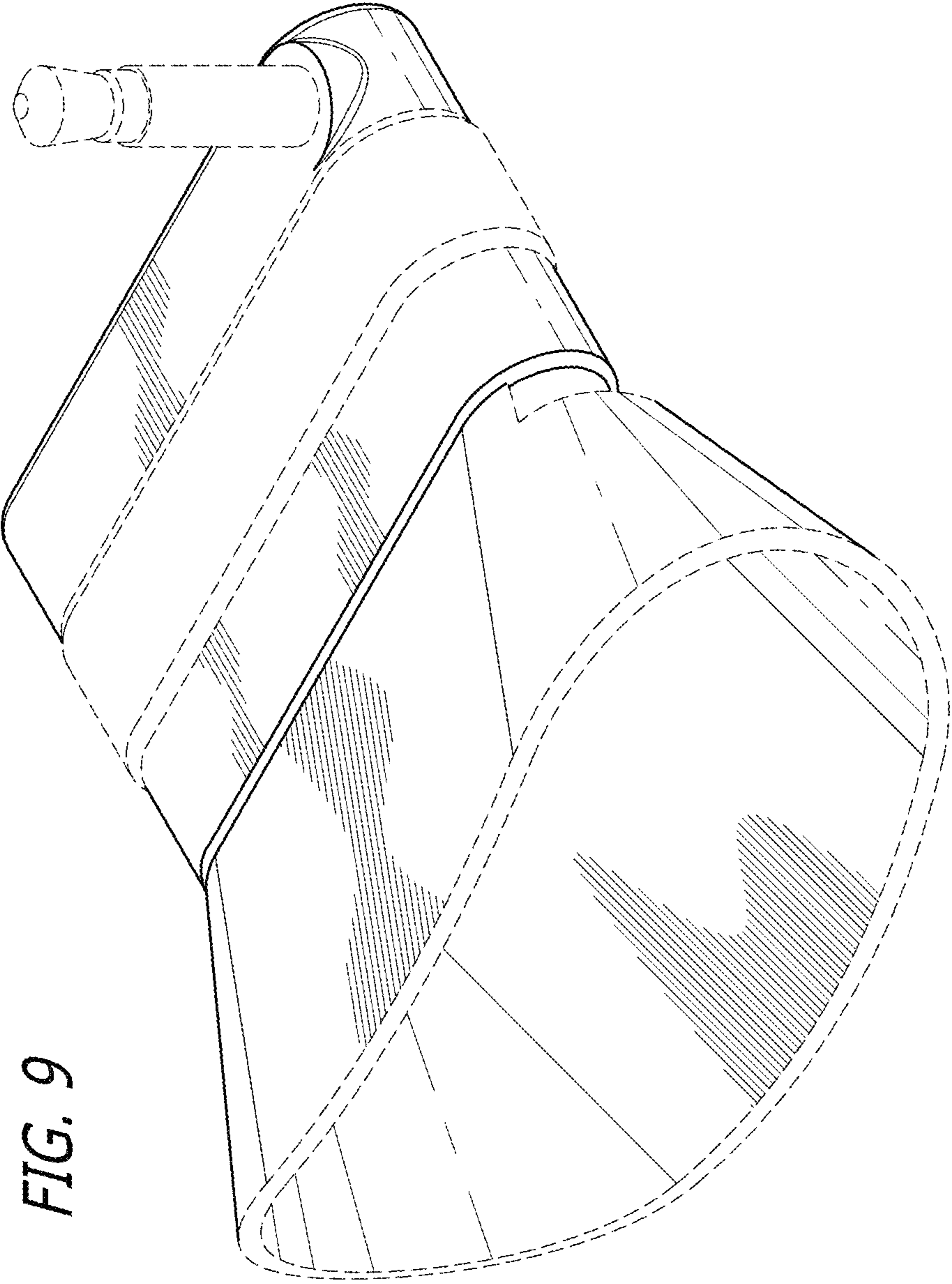


FIG. 9

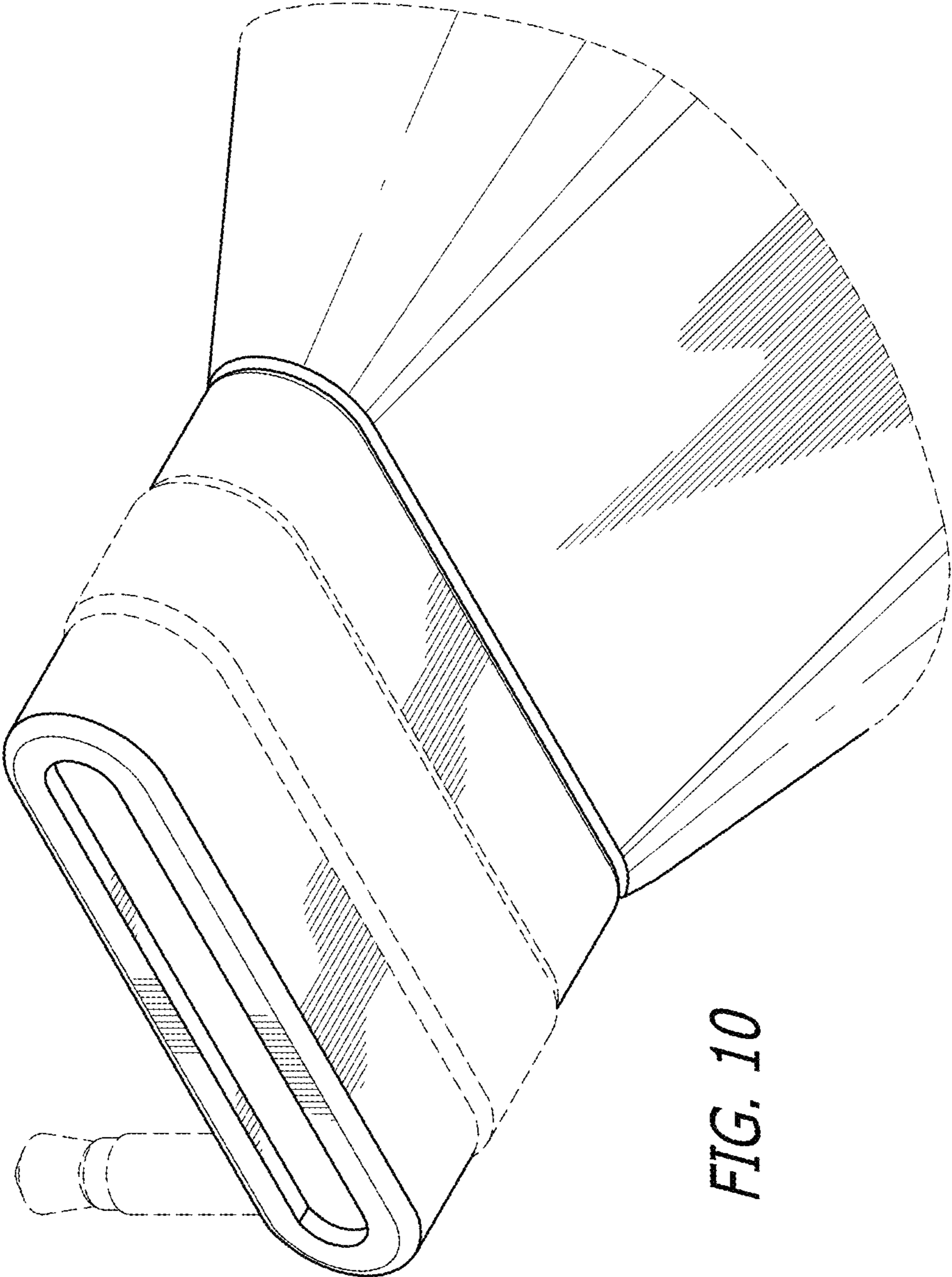


FIG. 10

FIG. 11

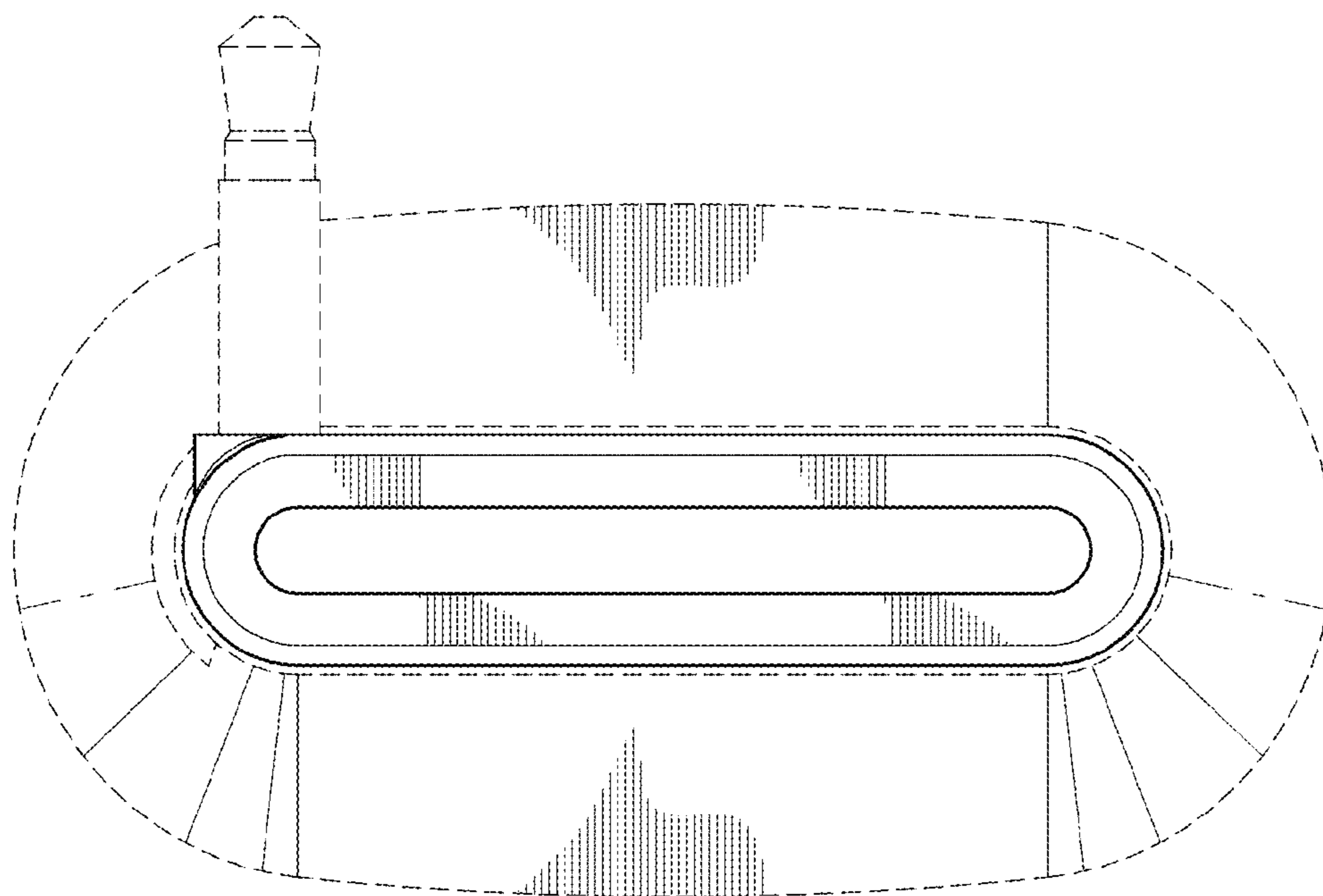
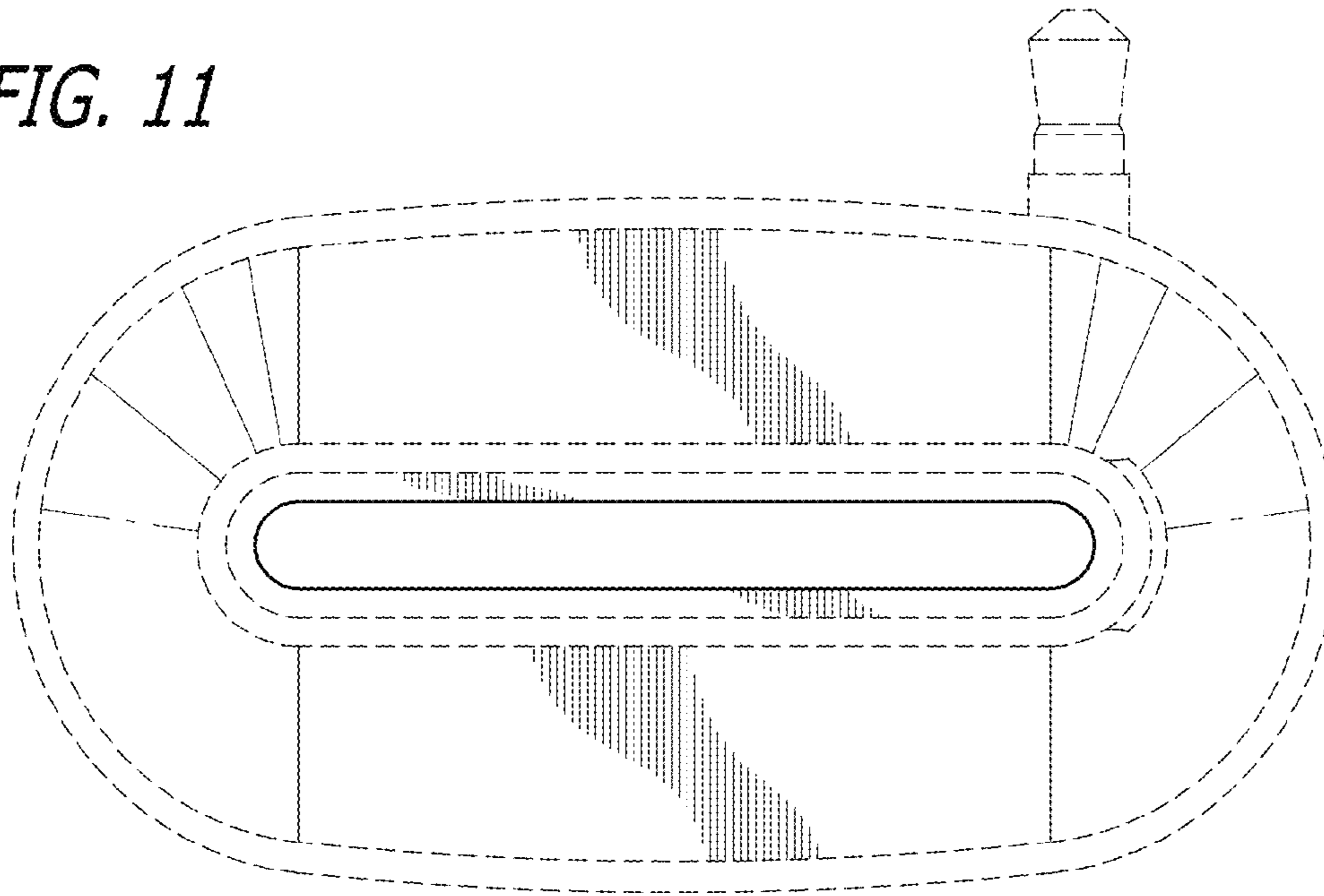


FIG. 12

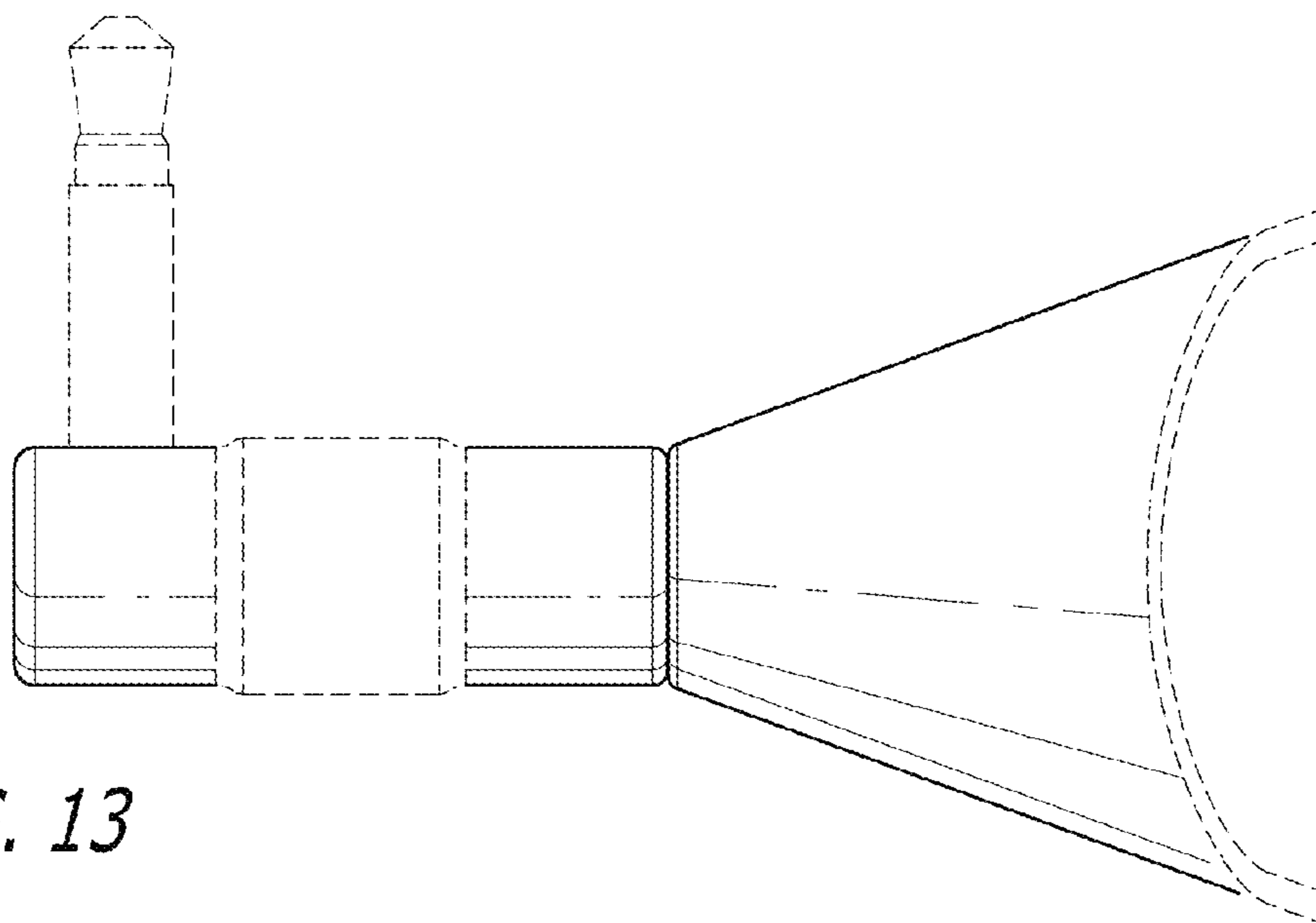


FIG. 13

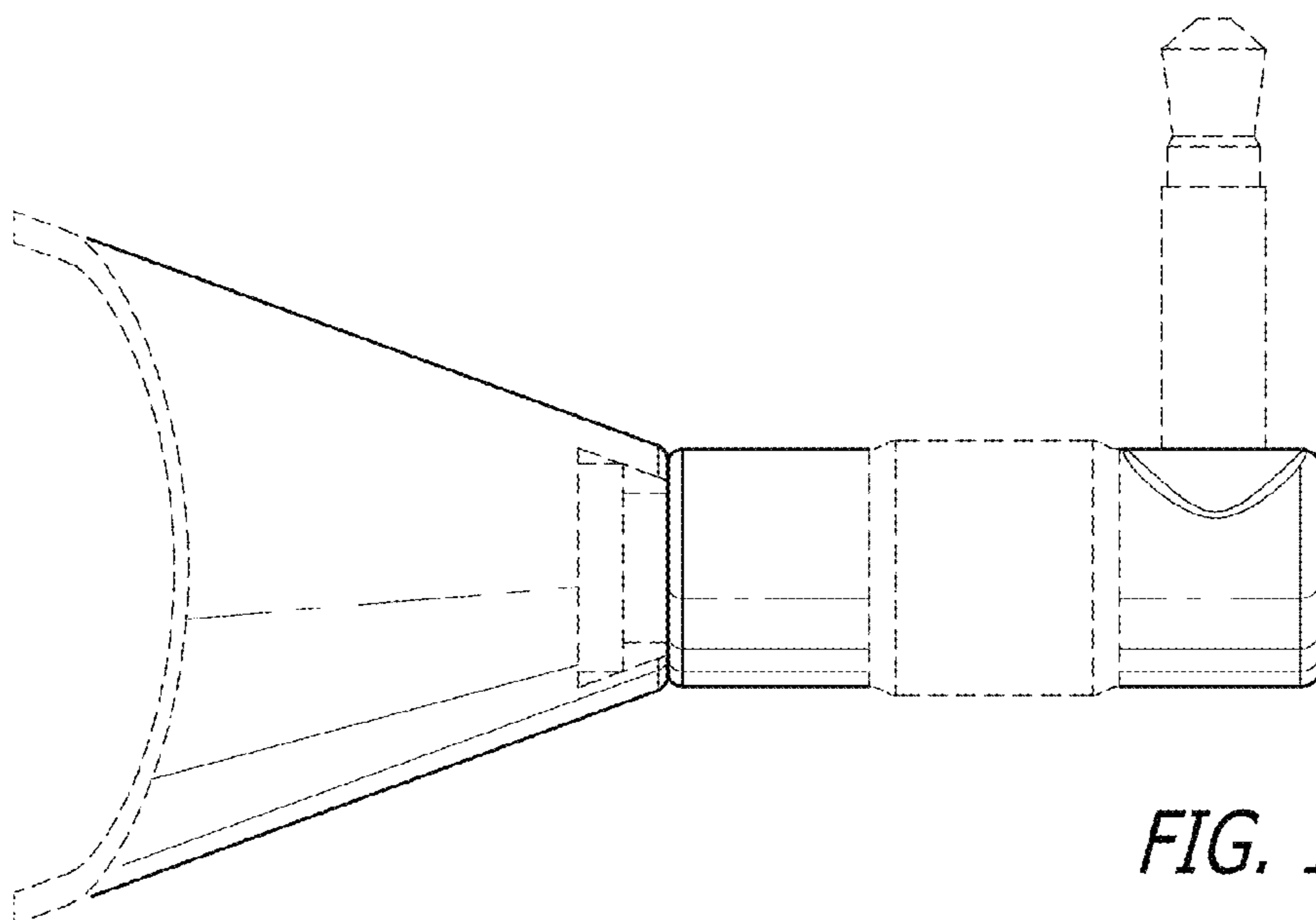


FIG. 14

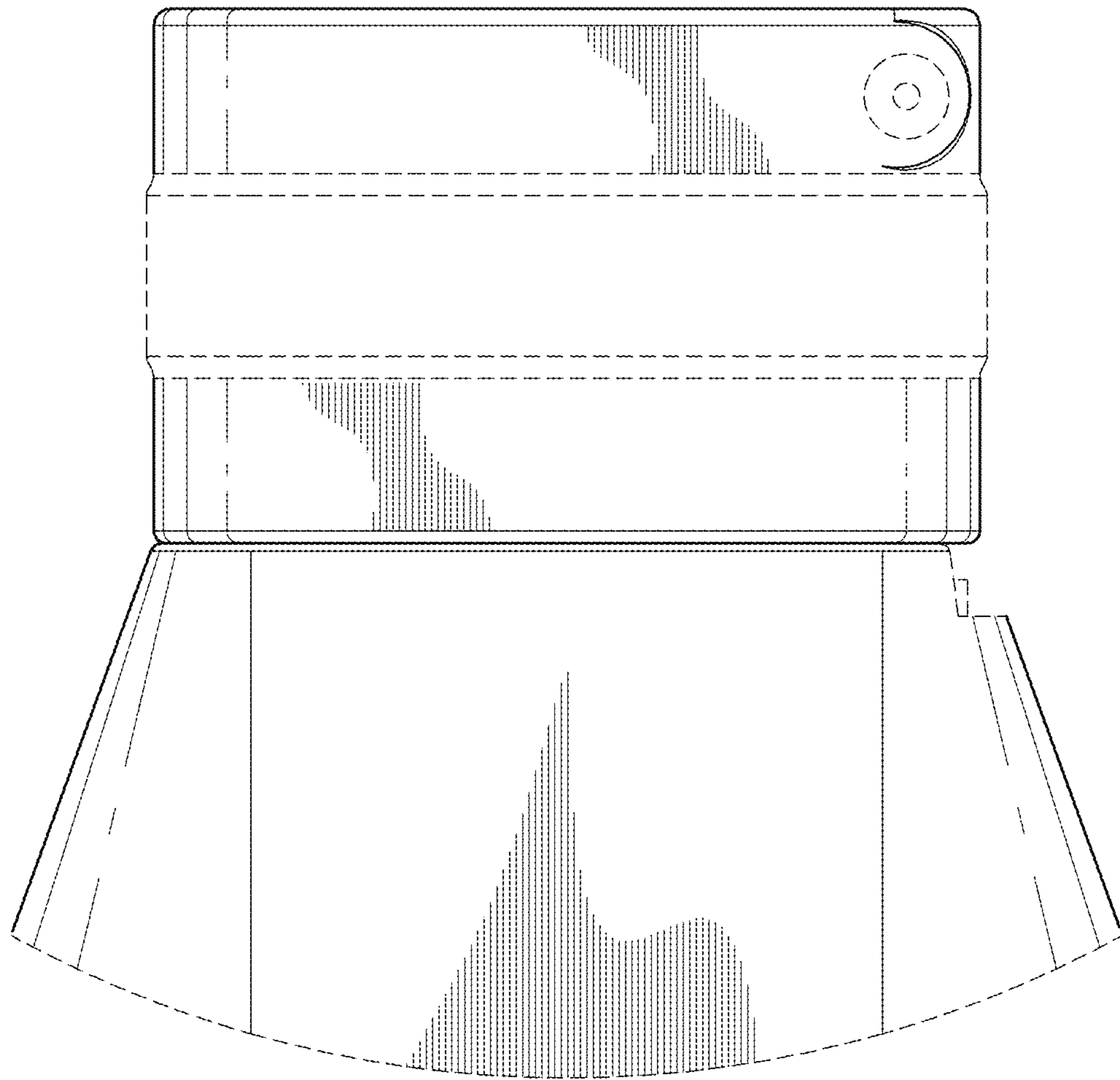


FIG. 15

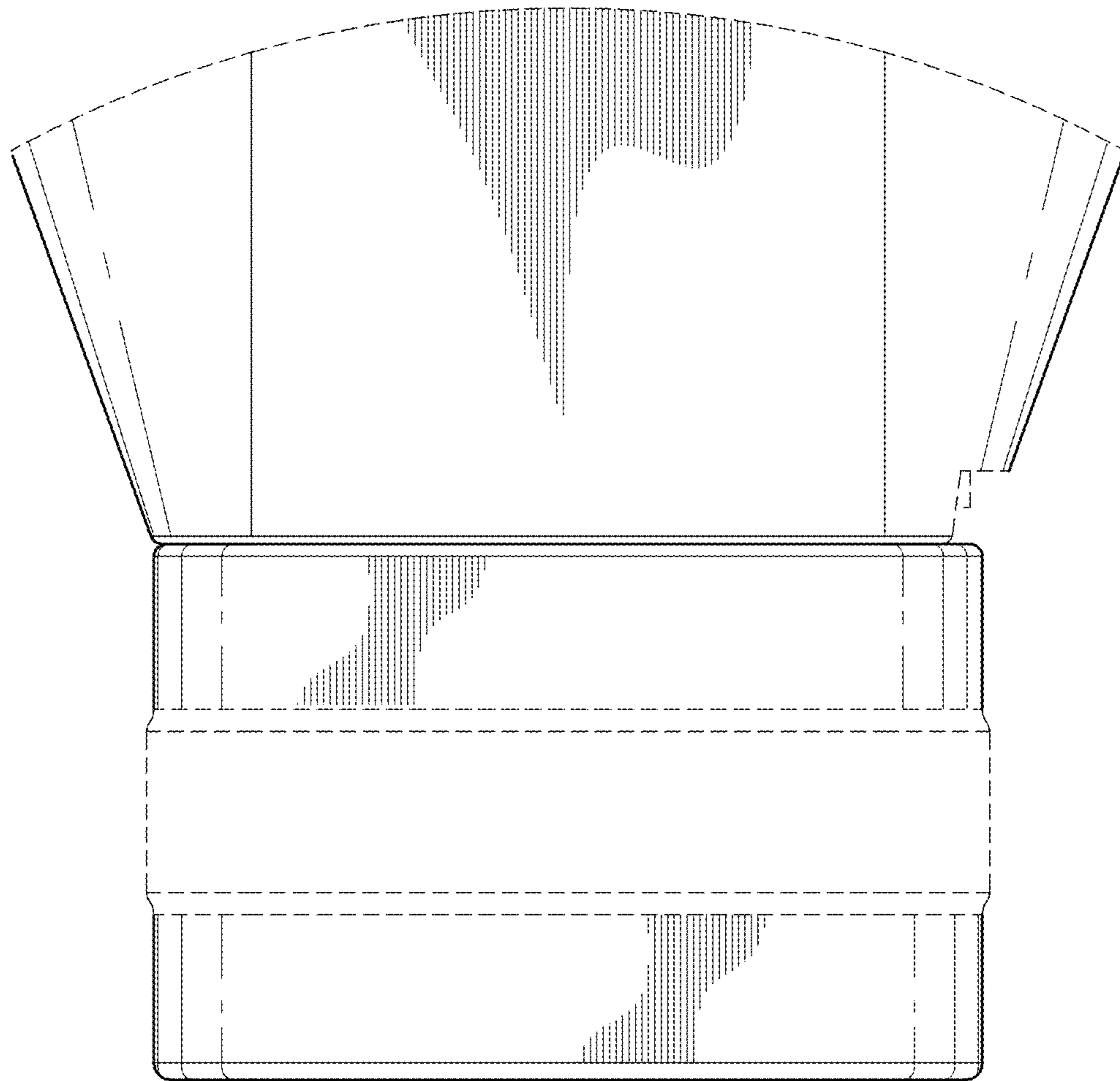


FIG. 16