



US00D751631S

(12) **United States Design Patent**
Montoya

(10) **Patent No.:** **US D751,631 S**
(45) **Date of Patent:** **** Mar. 15, 2016**

- (54) **EYEGLASS HINGE**
- (71) Applicant: **J.S. Benjamin LLC**, Los Angeles, CA (US)
- (72) Inventor: **Benjamin Montoya**, Los Angeles, CA (US)
- (**) Term: **14 Years**
- (21) Appl. No.: **29/496,478**
- (22) Filed: **Jul. 14, 2014**
- (51) **LOC (10) Cl.** **16-06**
- (52) **U.S. Cl.**
USPC **D16/334**
- (58) **Field of Classification Search**
USPC D16/101, 300-342, 900; D29/109-110;
351/41, 44, 51-52, 62, 158, 92,
351/103-123, 140-153, 63, 59, 45-48;
2/426-432, 447-449, 441, 434-437,
2/13, 15; D21/483, 659-661; D14/372
CPC G02C 2200/08; G02C 1/06; G02C 5/14;
G02C 5/16; G02C 11/02; G02C 11/04;
G02C 2200/22; G02C 5/146; G02C 5/2254;
G02C 5/008; A61M 2021/0044; A63B 33/002;
G01C 5/16
See application file for complete search history.

4,029,403 A *	6/1977	Harris	351/121
4,305,644 A *	12/1981	Drlik	351/153
5,492,428 A *	2/1996	Hellon et al.	403/122
D459,747 S *	7/2002	Marc et al.	D16/334
7,237,892 B2 *	7/2007	Curci et al.	351/153
7,497,571 B2 *	3/2009	Rossin	351/153
7,794,080 B2 *	9/2010	Zelazowski	351/153
D661,723 S *	6/2012	Fuchs	D16/335
D721,397 S *	1/2015	Feldman	D16/334

* cited by examiner

Primary Examiner — Raphael Barkai
(74) *Attorney, Agent, or Firm* — Buchalter Nemer

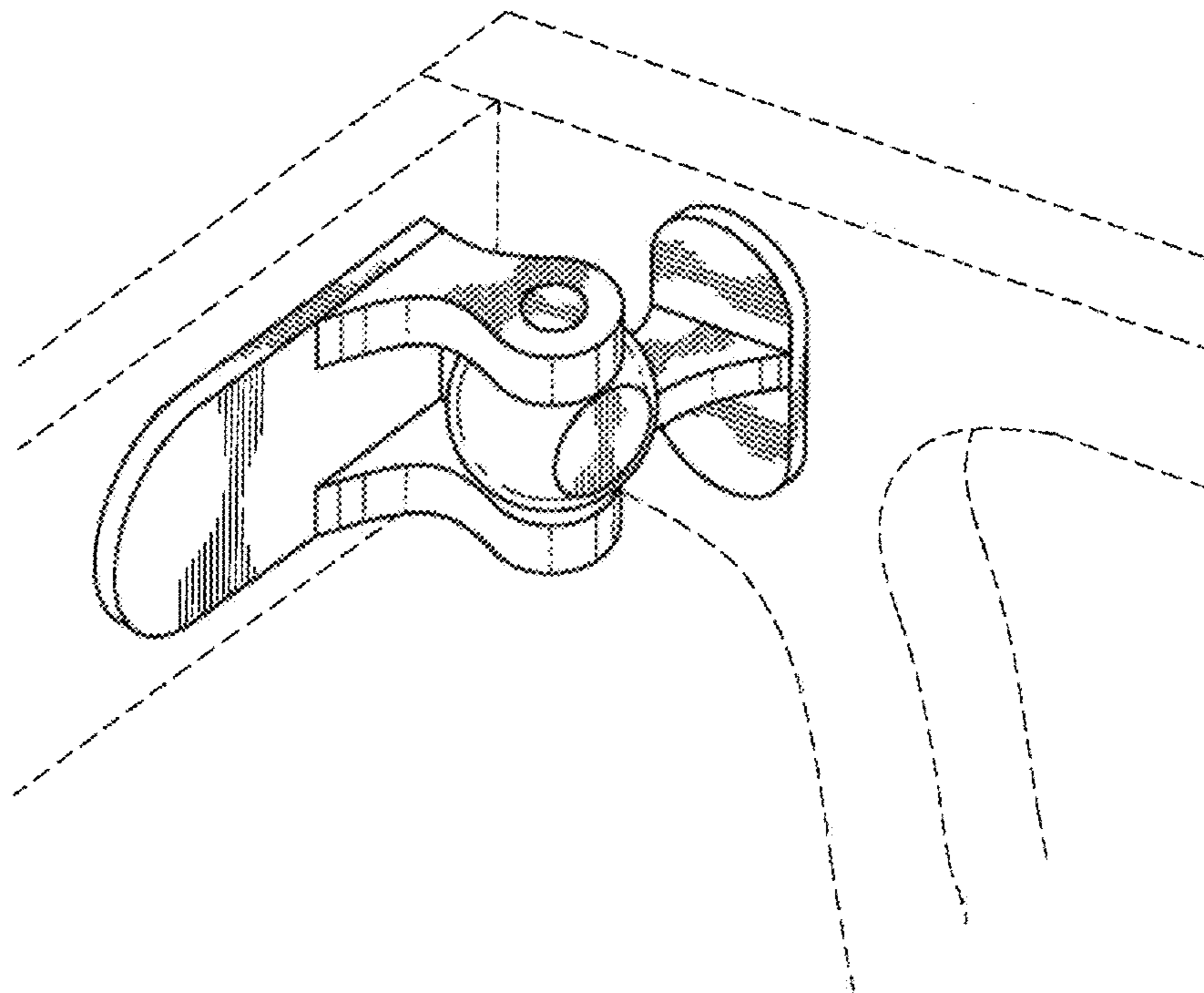
(57) **CLAIM**
The ornamental design for a eyeglass hinge, as shown and described.

DESCRIPTION

FIG. 1 is a top, rear, right side perspective view with the eyewear unclaimed;
FIG. 2 is an expanded region view of FIG. 1 as shown in the circled area of FIG. 1;
FIG. 3 is a bottom, rear, right side perspective view;
FIG. 4 is a top plan view;
FIG. 5 is a bottom plan view;
FIG. 6 is a rear elevation view; and,
FIG. 7 is a right side elevation view thereof.
Broken lines showing the remainder of the eyeglass in the figures are for illustrative purposes only and form no part of the claimed invention.

- (56) **References Cited**
U.S. PATENT DOCUMENTS
3,533,687 A * 10/1970 Herzig 351/121
3,591,669 A * 7/1971 Memory 264/101

1 Claim, 5 Drawing Sheets



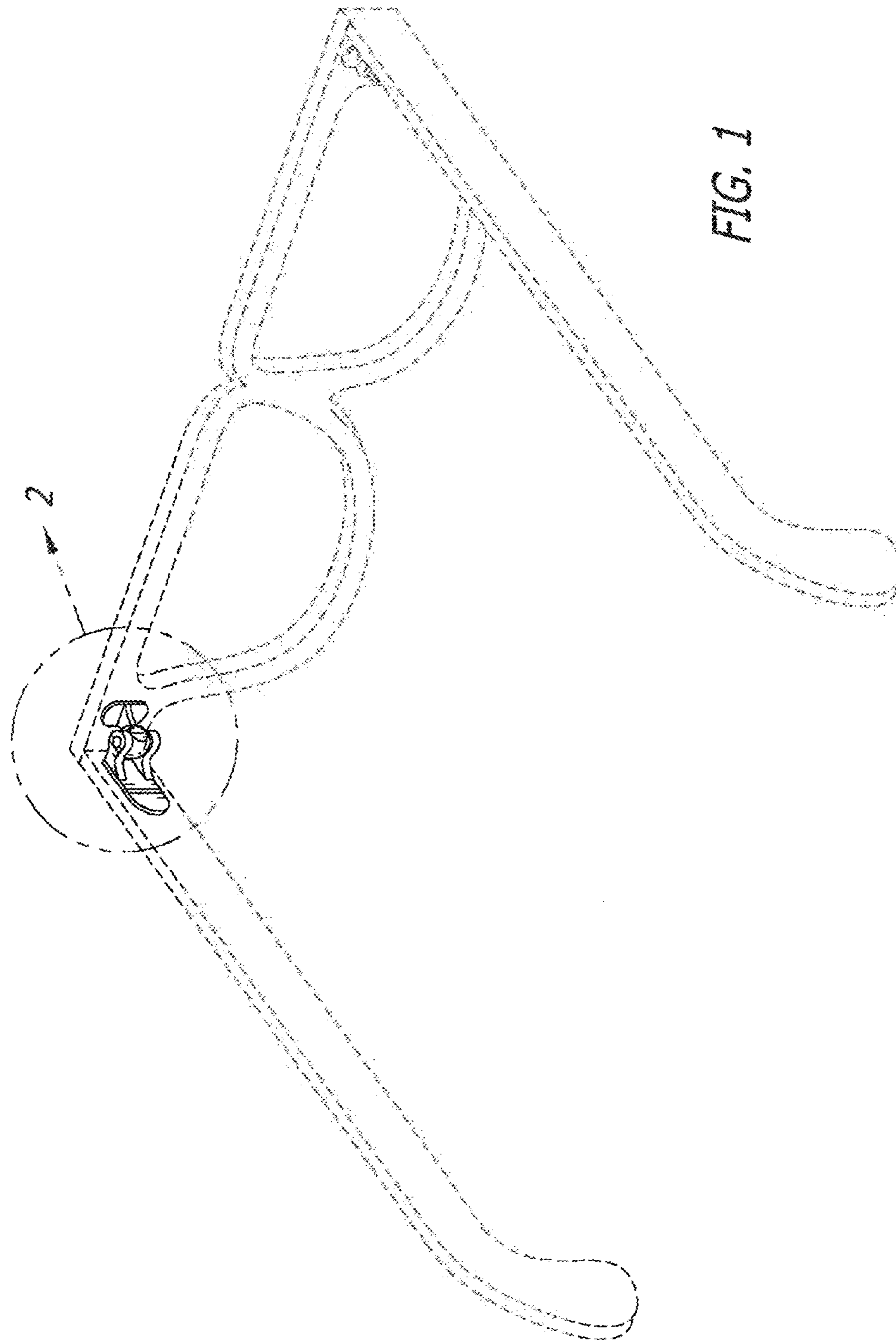


FIG. 1

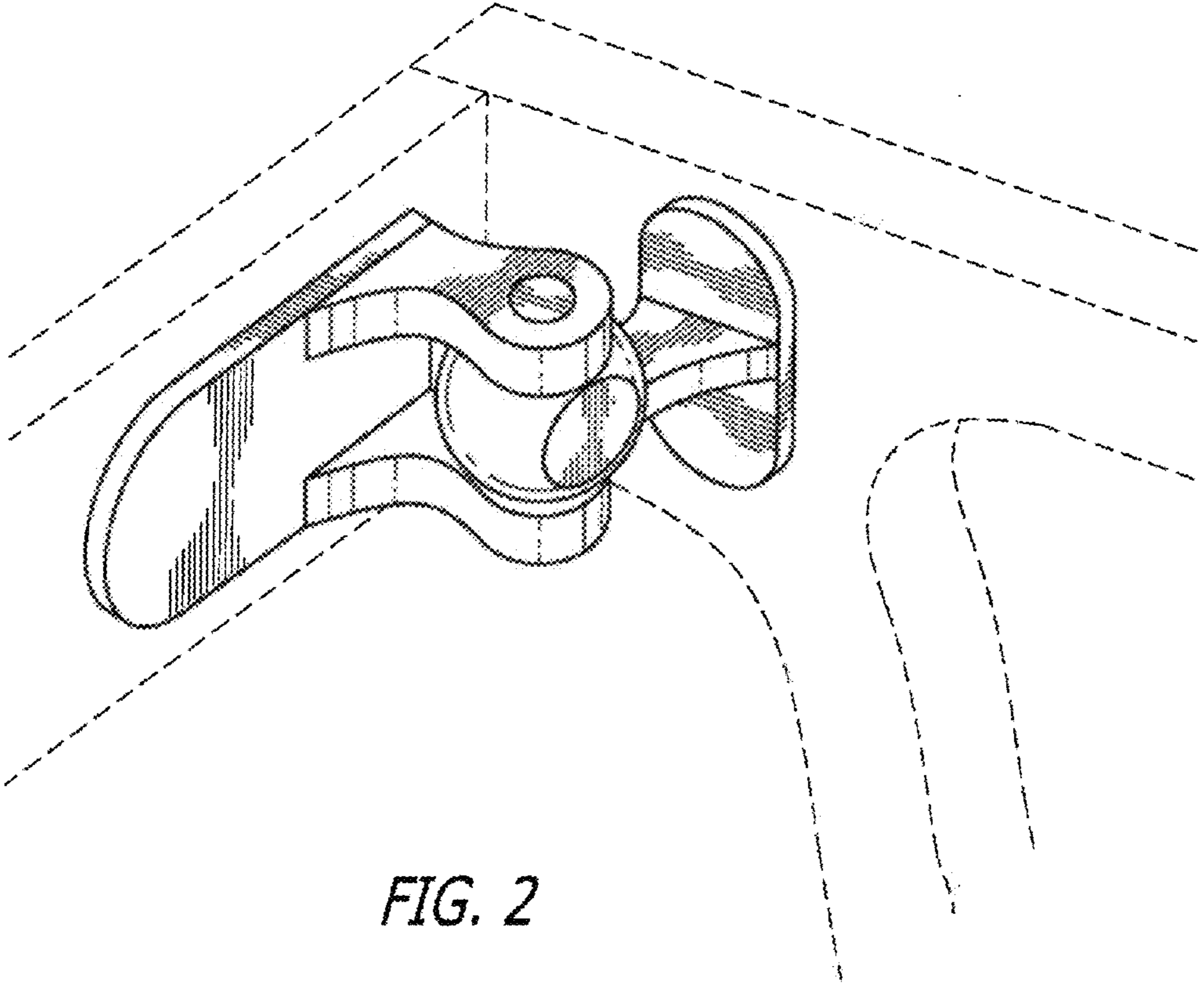


FIG. 2

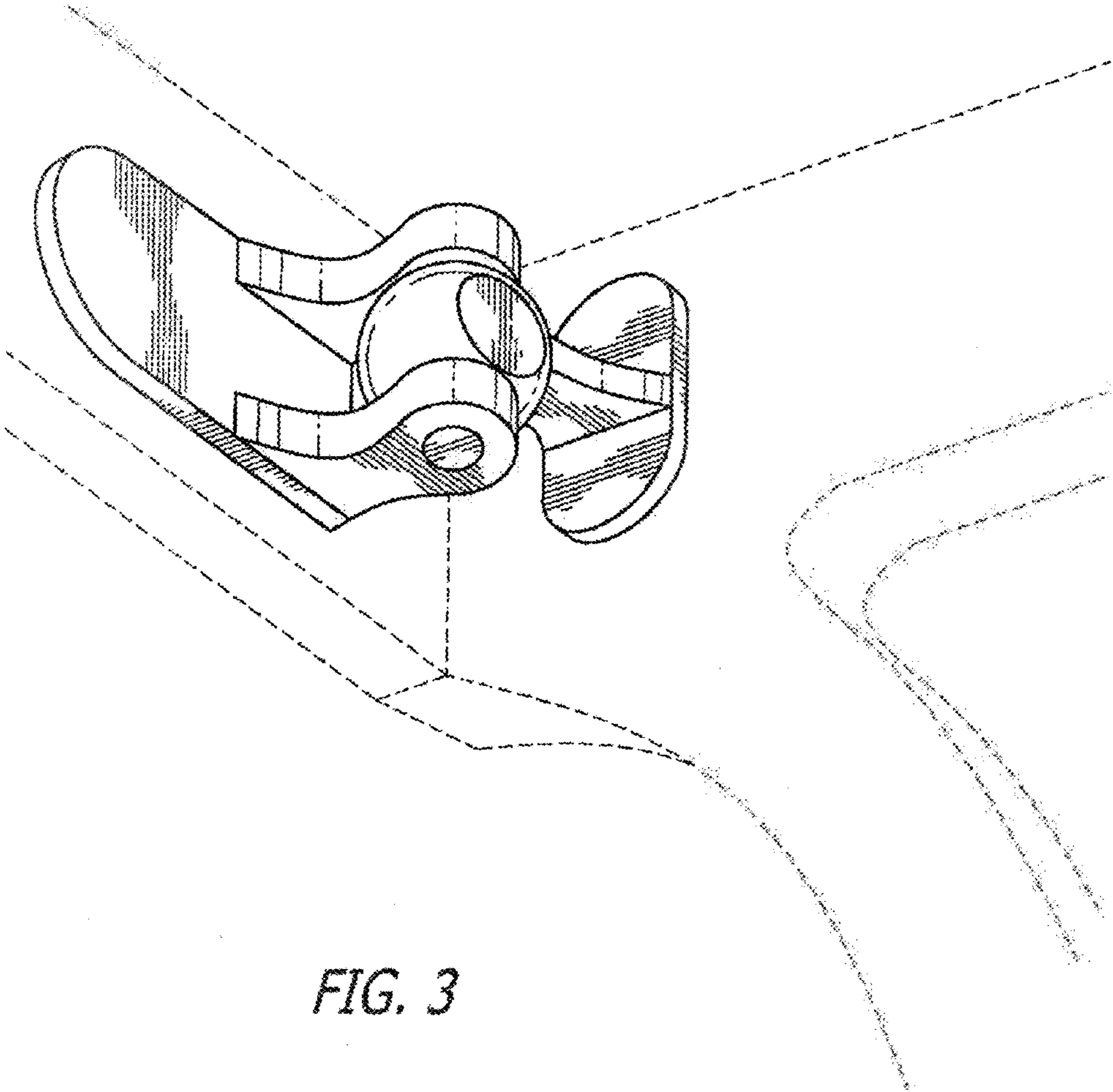
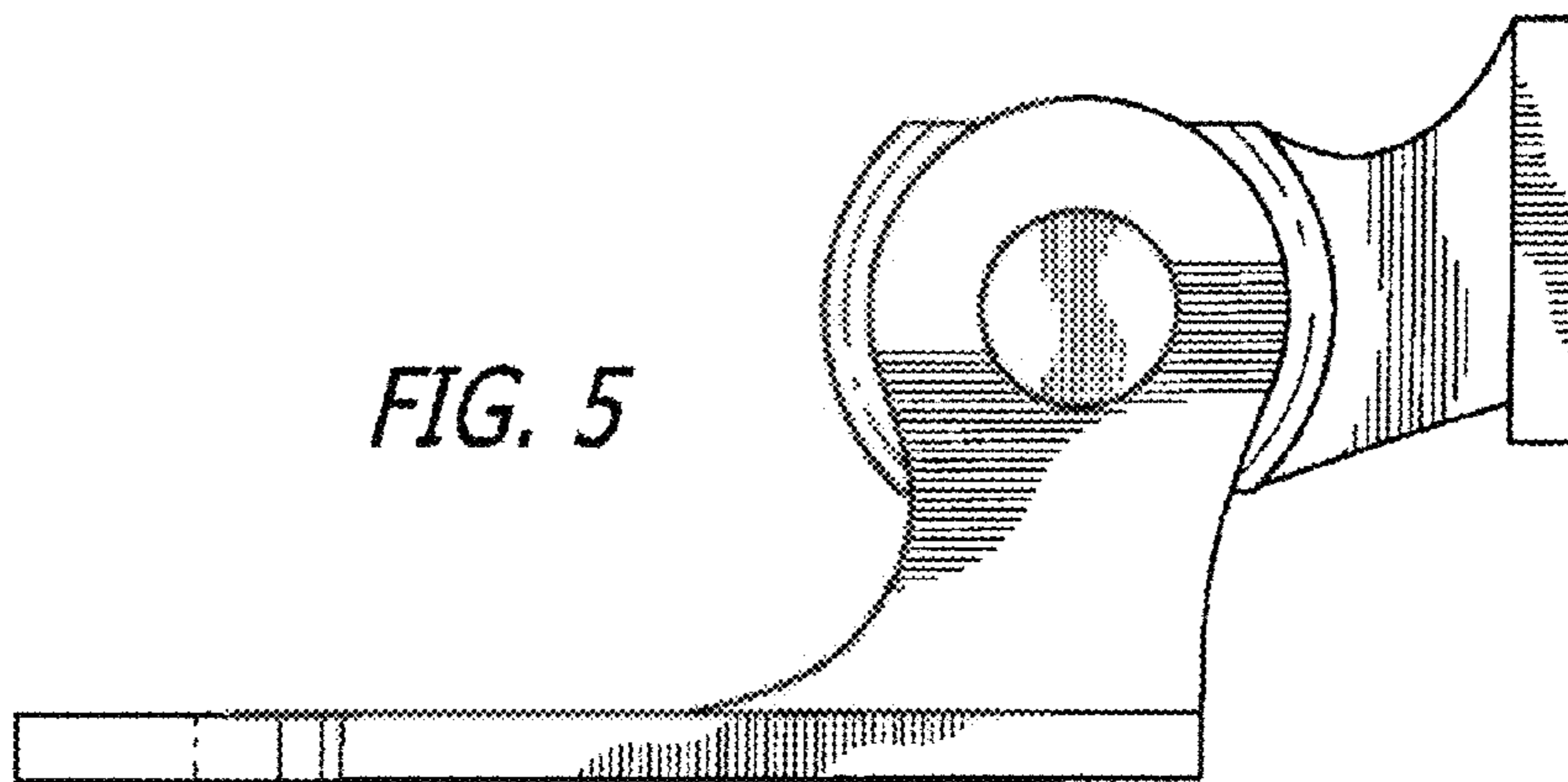
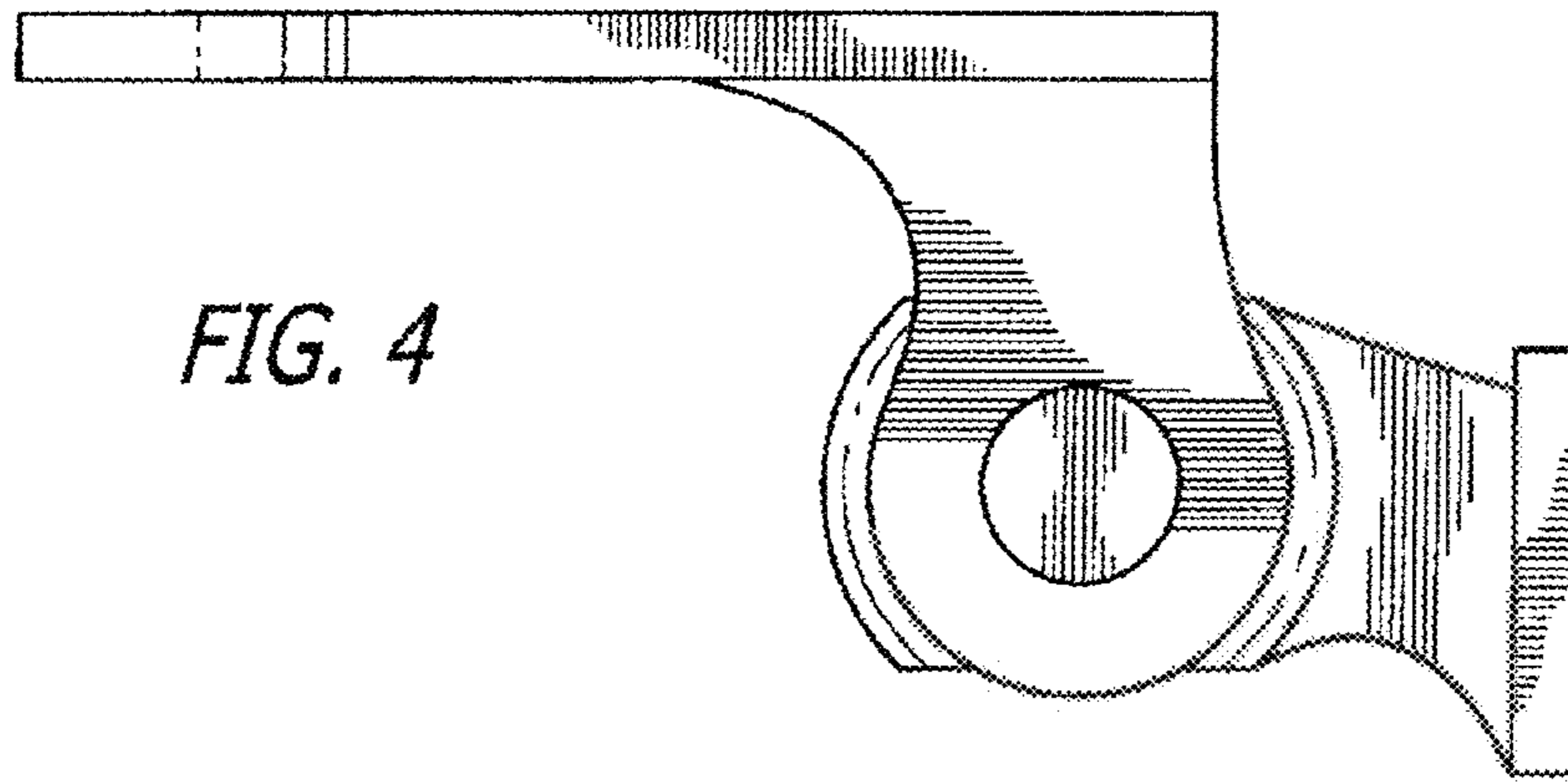


FIG. 3



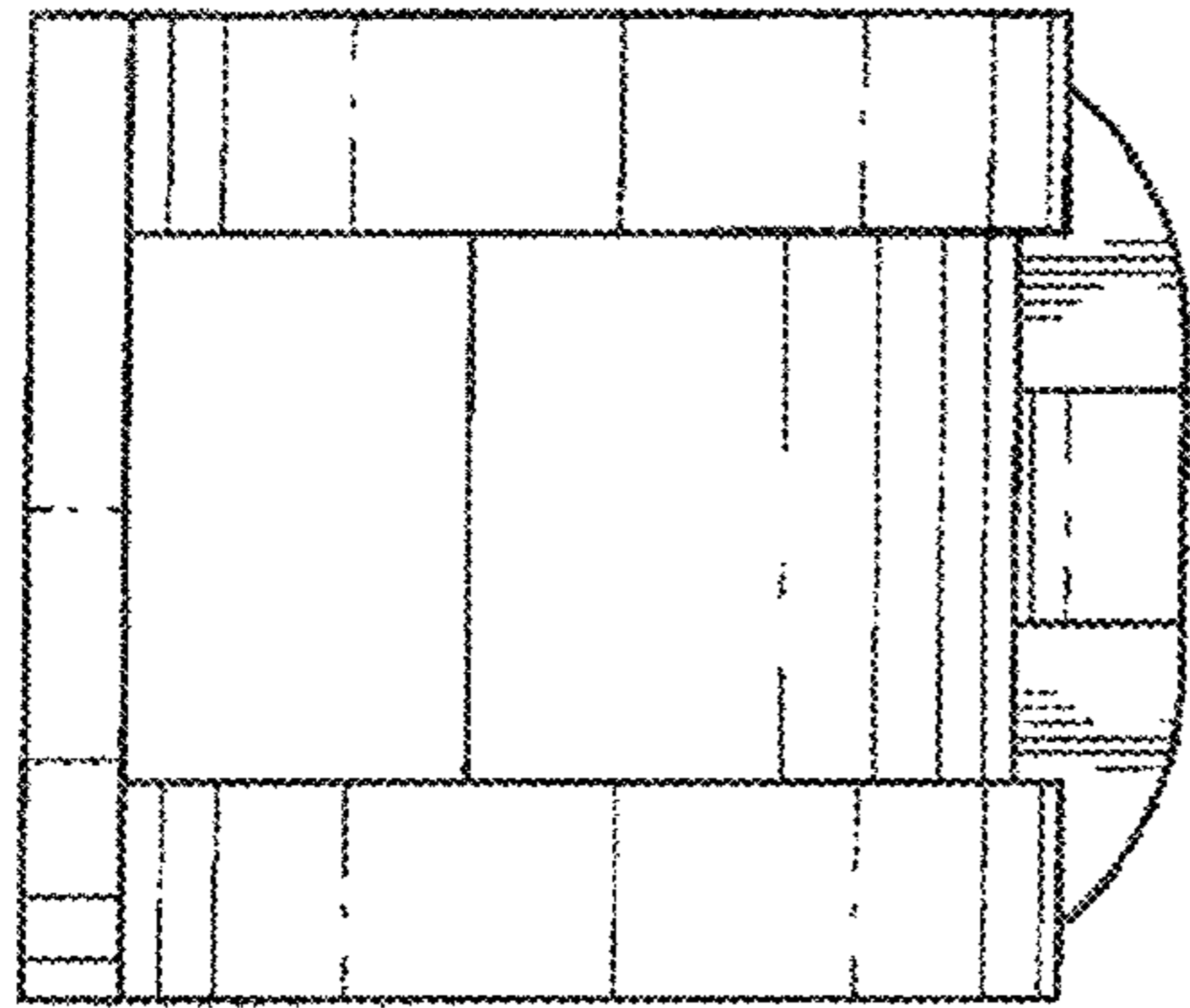


FIG. 6

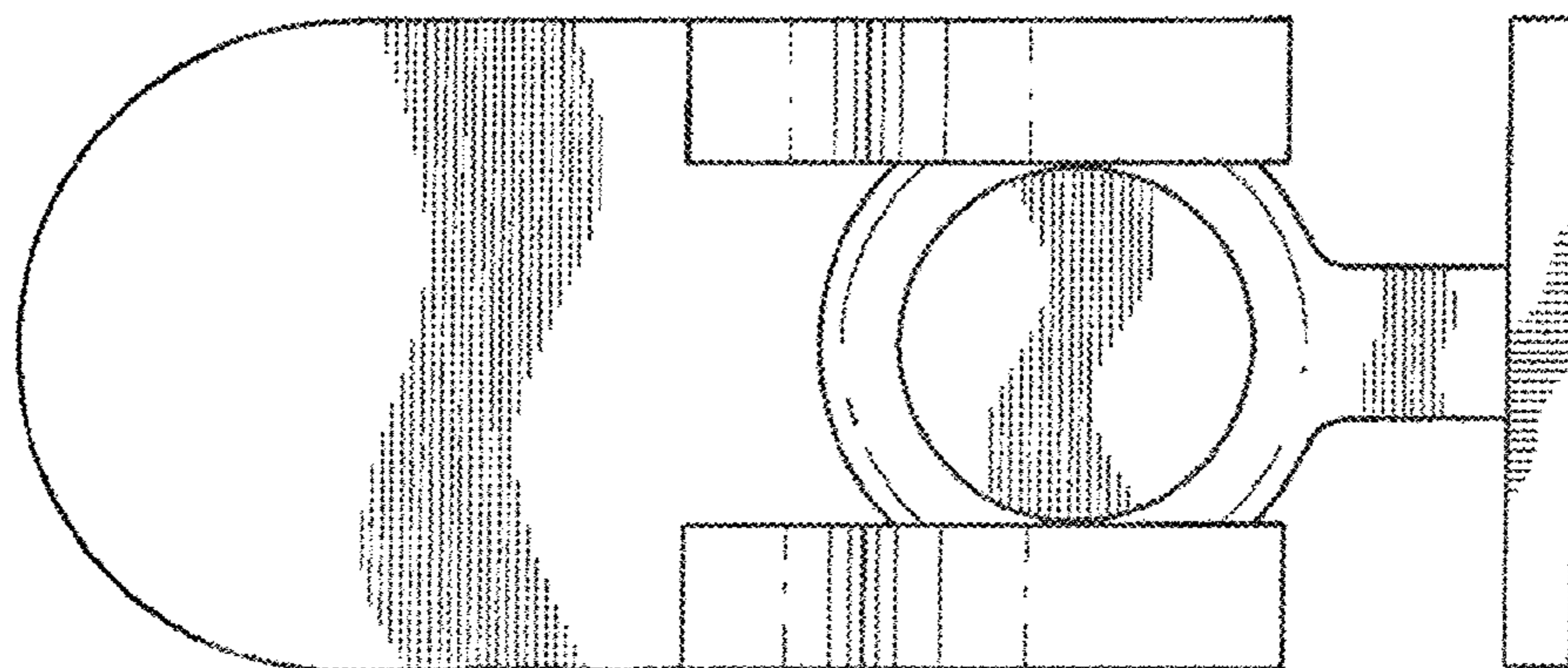


FIG. 7