

US00D751626S

(12) **United States Design Patent**  
**Rahbar-Dehghan**

(10) **Patent No.:** **US D751,626 S**  
(45) **Date of Patent:** **\*\* Mar. 15, 2016**

(54) **SENSOR GUARD FOR A CAMERA**

2006/0187558 A1\* 8/2006 Kassenaar ..... 359/811

\* cited by examiner

(71) Applicant: **1317442 ALBERTA LTD.**, Canmore  
(Alberta) (CA)

*Primary Examiner* — Susan Bennett Hattan

*Assistant Examiner* — Leanne Was

(72) Inventor: **Fariborz Rahbar-Dehghan**, Canmore  
(CA)

(74) *Attorney, Agent, or Firm* — Fraser Clemens Martin &  
Miller LLC; James D. Miller

(73) Assignee: **1317442 Alberta Ltd.**, Canmore, Alberta  
(CA)

(57) **CLAIM**

The ornamental design for a sensor guard for a camera, as  
shown and described.

(\*\*) Term: **14 Years**

**DESCRIPTION**

(21) Appl. No.: **29/487,715**

FIG. 1 is an exploded perspective view of a sensor guard for  
a camera;

(22) Filed: **Apr. 11, 2014**

FIG. 2 is a perspective view of the sensor guard for a camera  
of FIG. 1;

(30) **Foreign Application Priority Data**

FIG. 3 is a front elevational view of the sensor guard for a  
camera of FIG. 2;

Oct. 17, 2013 (CA) ..... 153503

FIG. 4 is a right side elevational view of the sensor guard for  
a camera of FIG. 2;

(51) **LOC (10) Cl.** ..... **16-05**

FIG. 5 is a left side elevational view of the sensor guard for a  
camera of FIG. 2;

(52) **U.S. Cl.**

USPC ..... **D16/250**

FIG. 6 is a rear elevational view of the sensor guard for a  
camera of FIG. 2;

(58) **Field of Classification Search**

USPC ..... D16/134, 136, 219, 237, 250; 359/808,  
359/809, 811; 396/448, 544

FIG. 7 is a top plan view of the sensor guard for a camera of  
FIG. 2; and,

See application file for complete search history.

FIG. 8 is a bottom plan view of the sensor guard for a camera  
of FIG. 2.

(56) **References Cited**

The ornamental design which is claimed is shown in solid  
lines in the drawings. The broken lines depict portions of the  
sensor guard for a camera that form no part of the claimed  
design.

**U.S. PATENT DOCUMENTS**

D529,065 S \* 9/2006 Watanabe ..... D16/219

D692,475 S \* 10/2013 Hasuda ..... D16/219

**1 Claim, 8 Drawing Sheets**

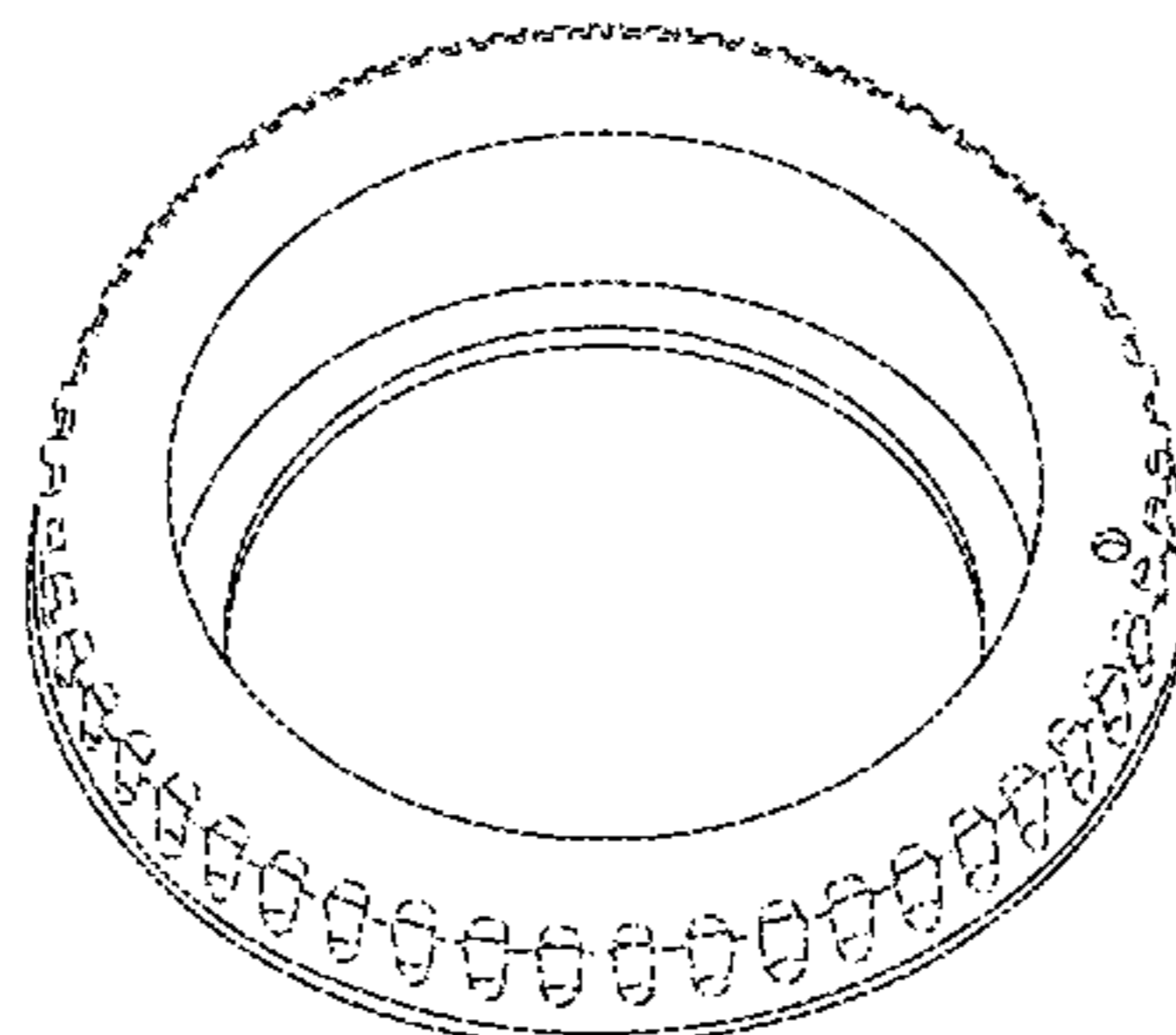
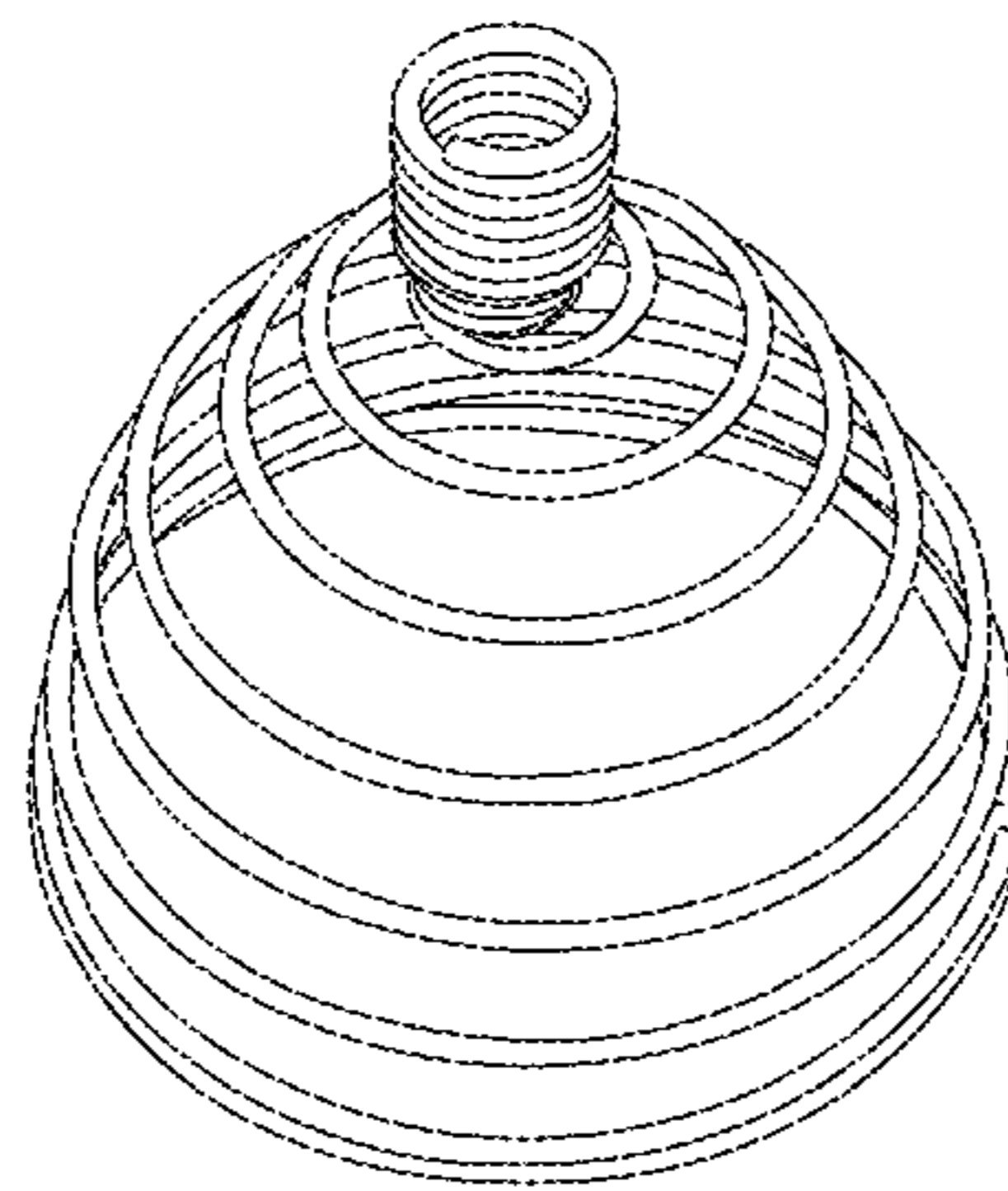
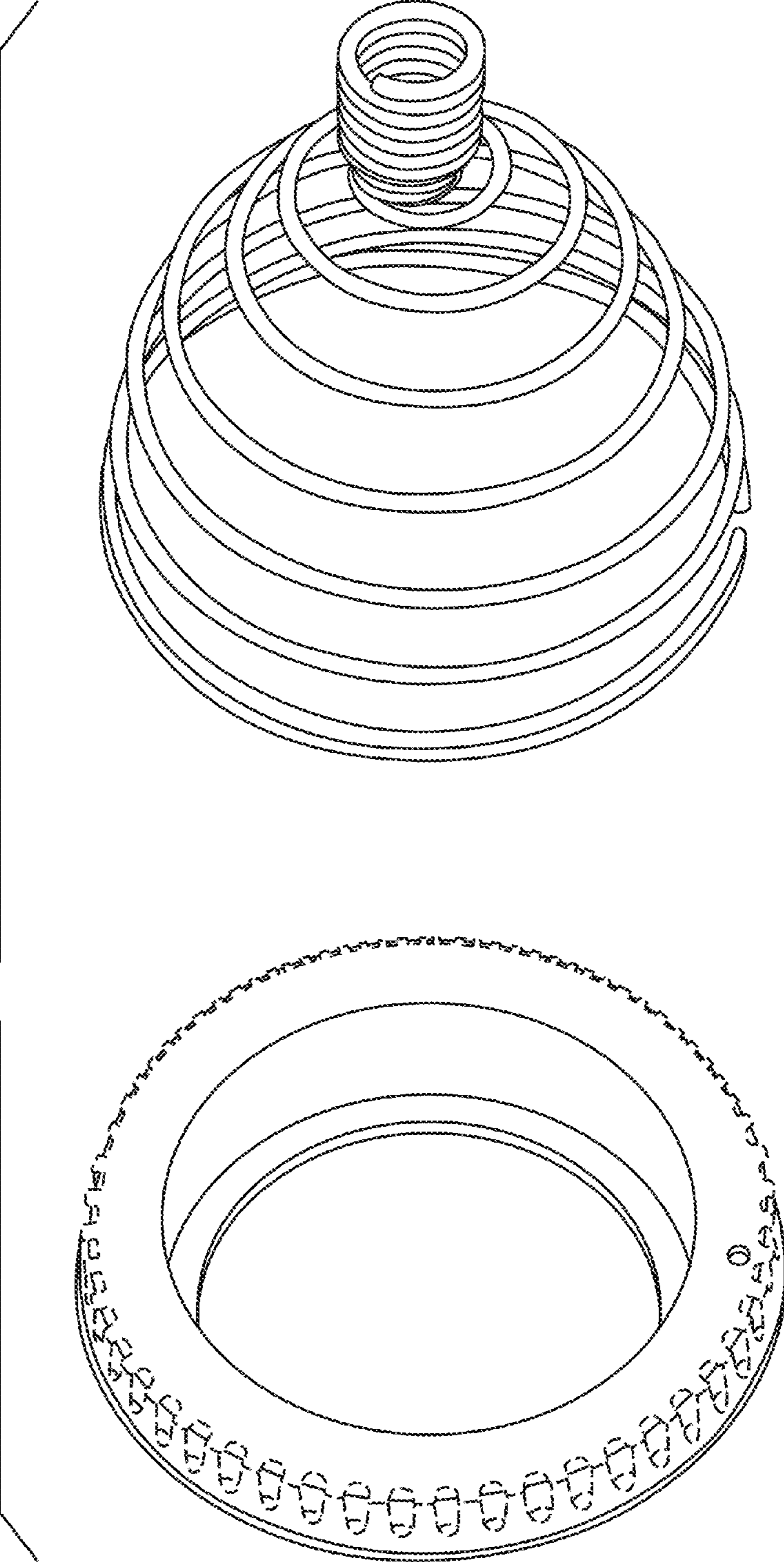


FIG. 1



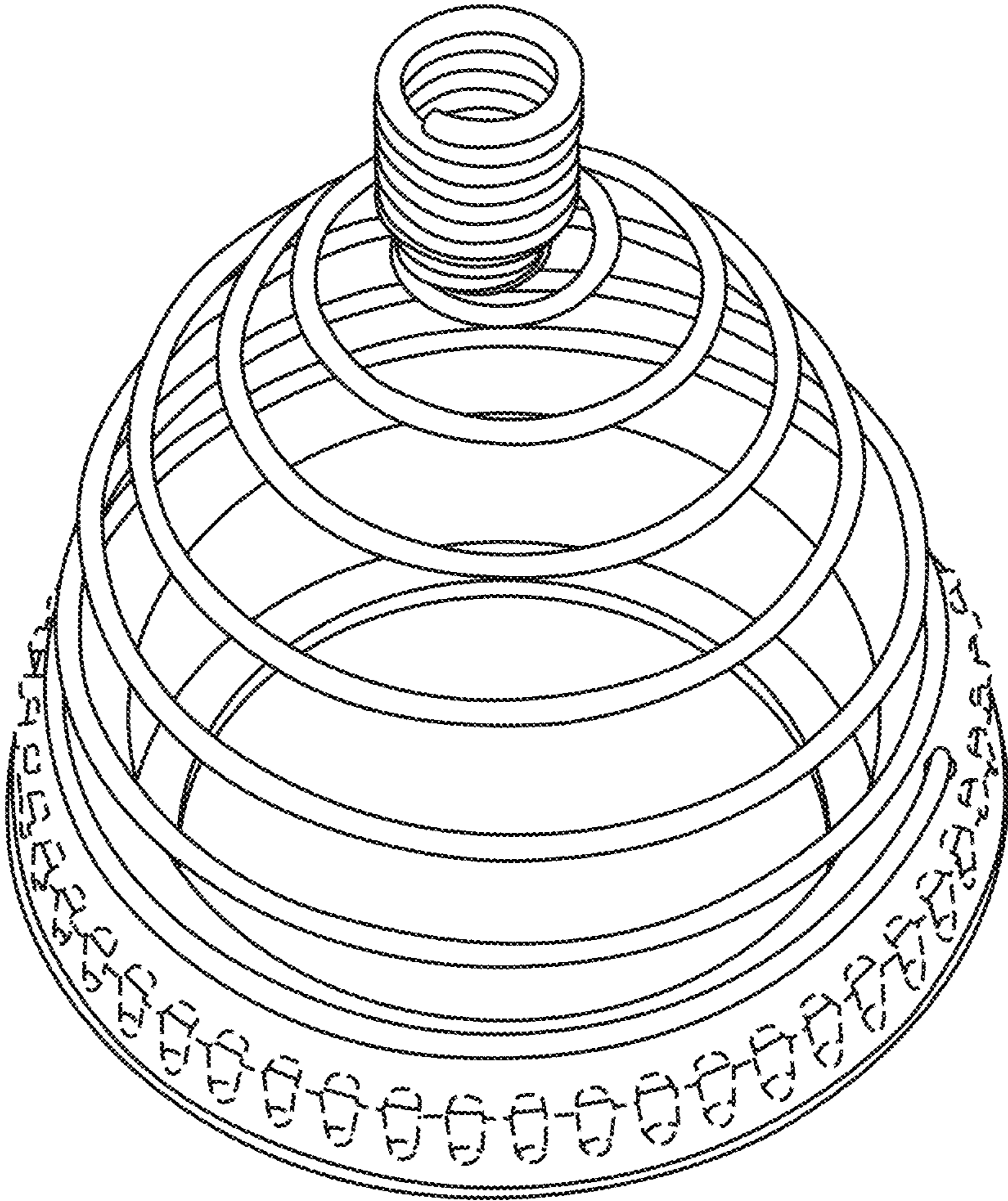


FIG. 2

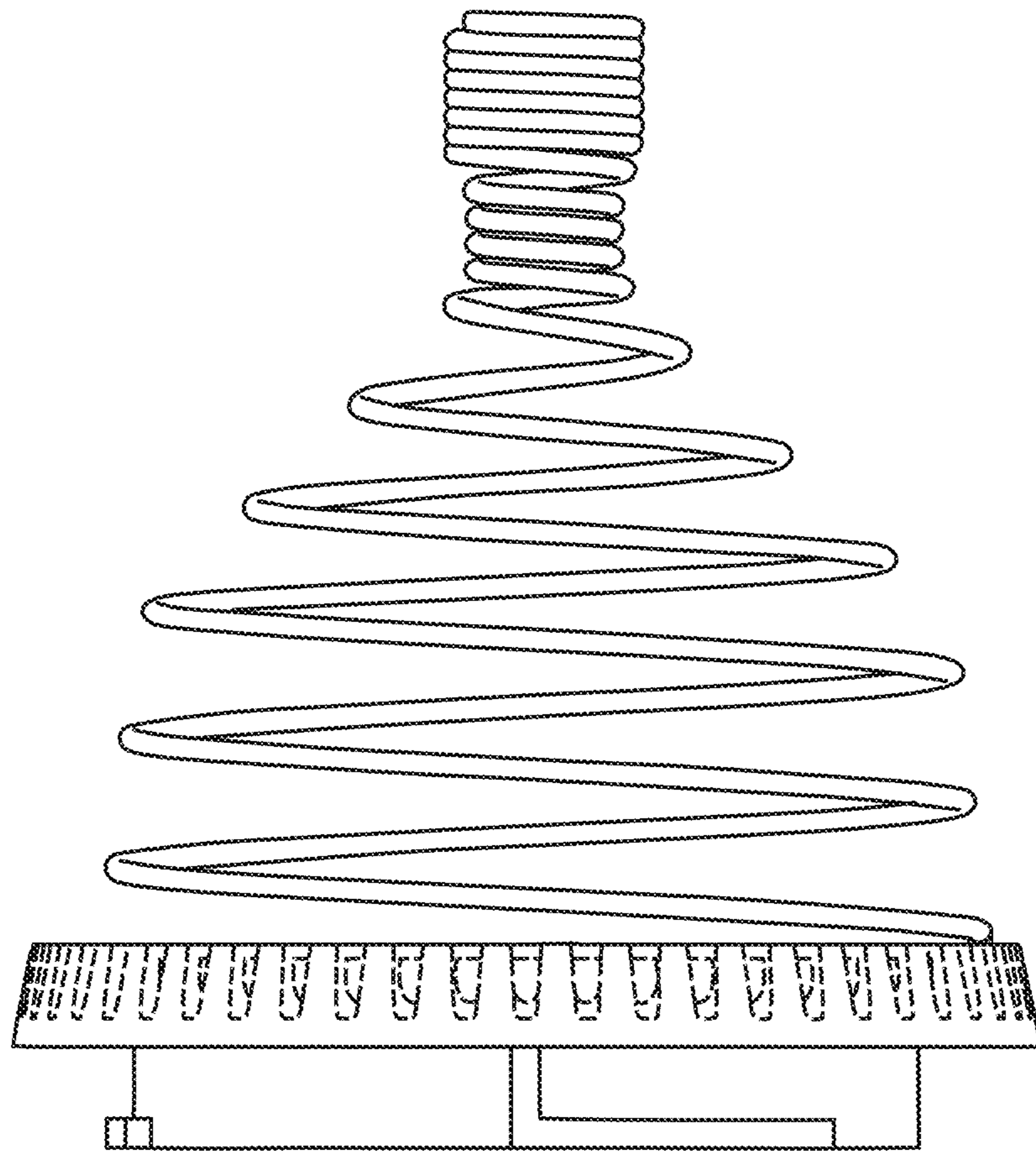


FIG. 3

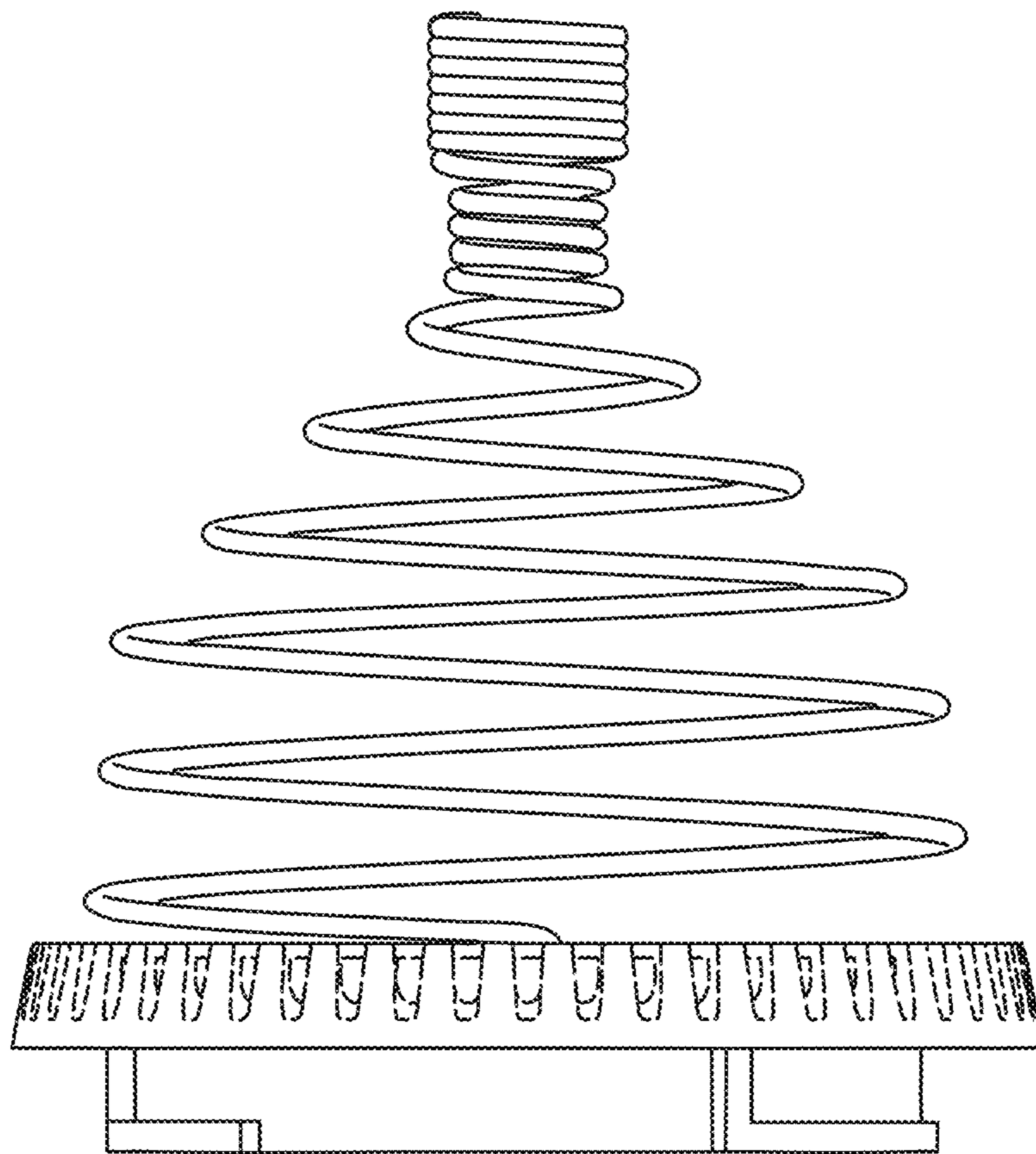


FIG. 4

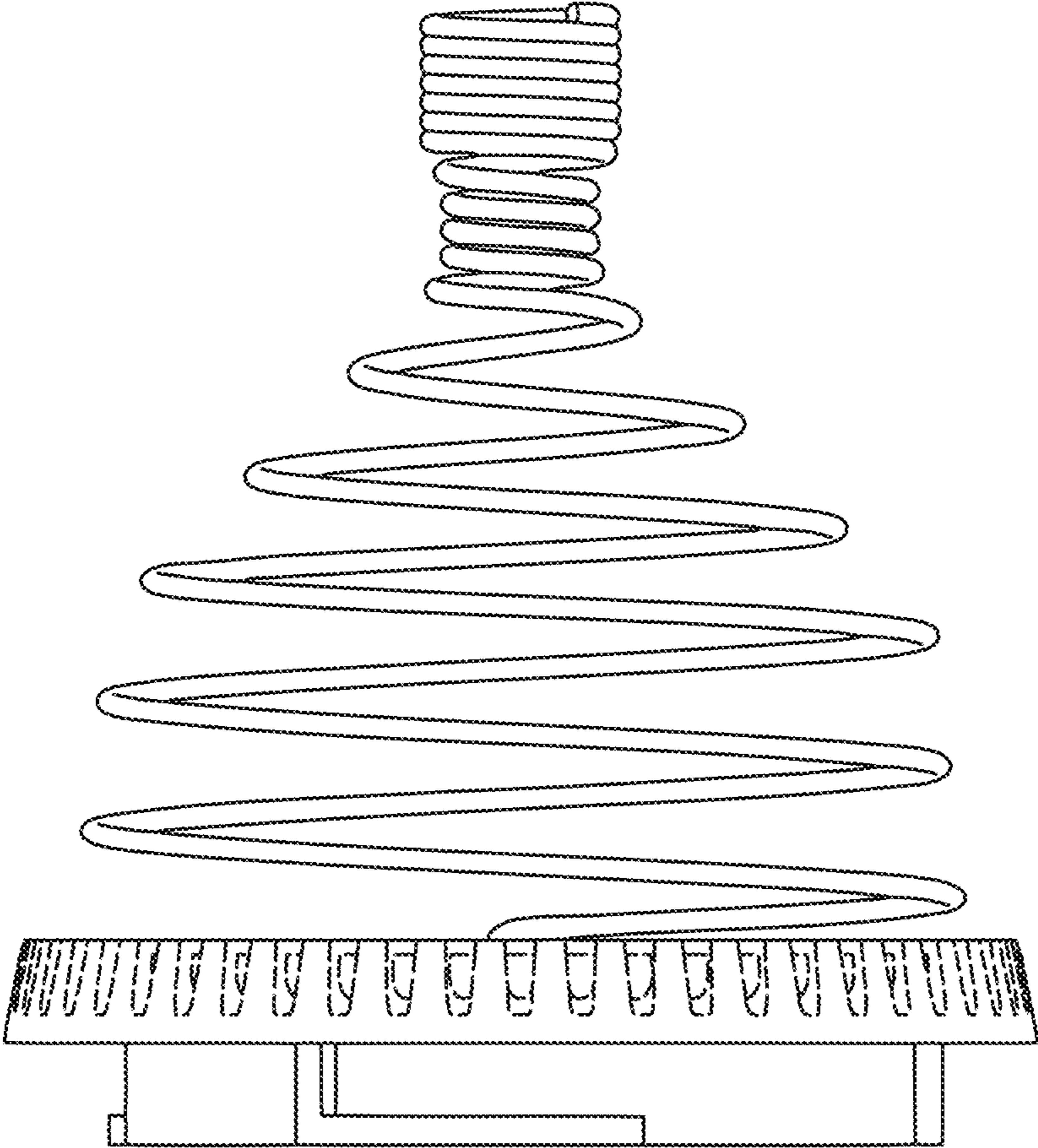


FIG. 5

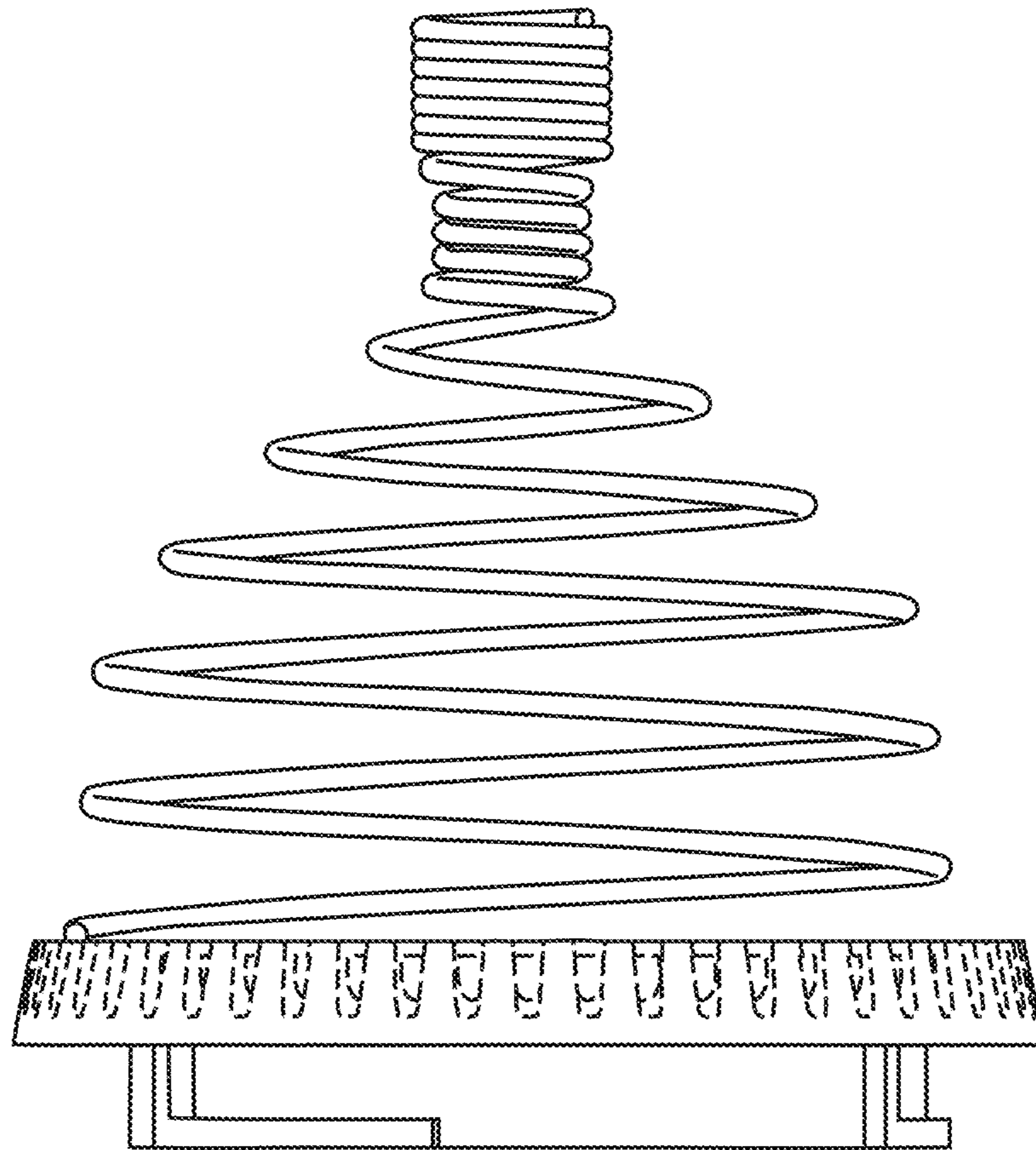
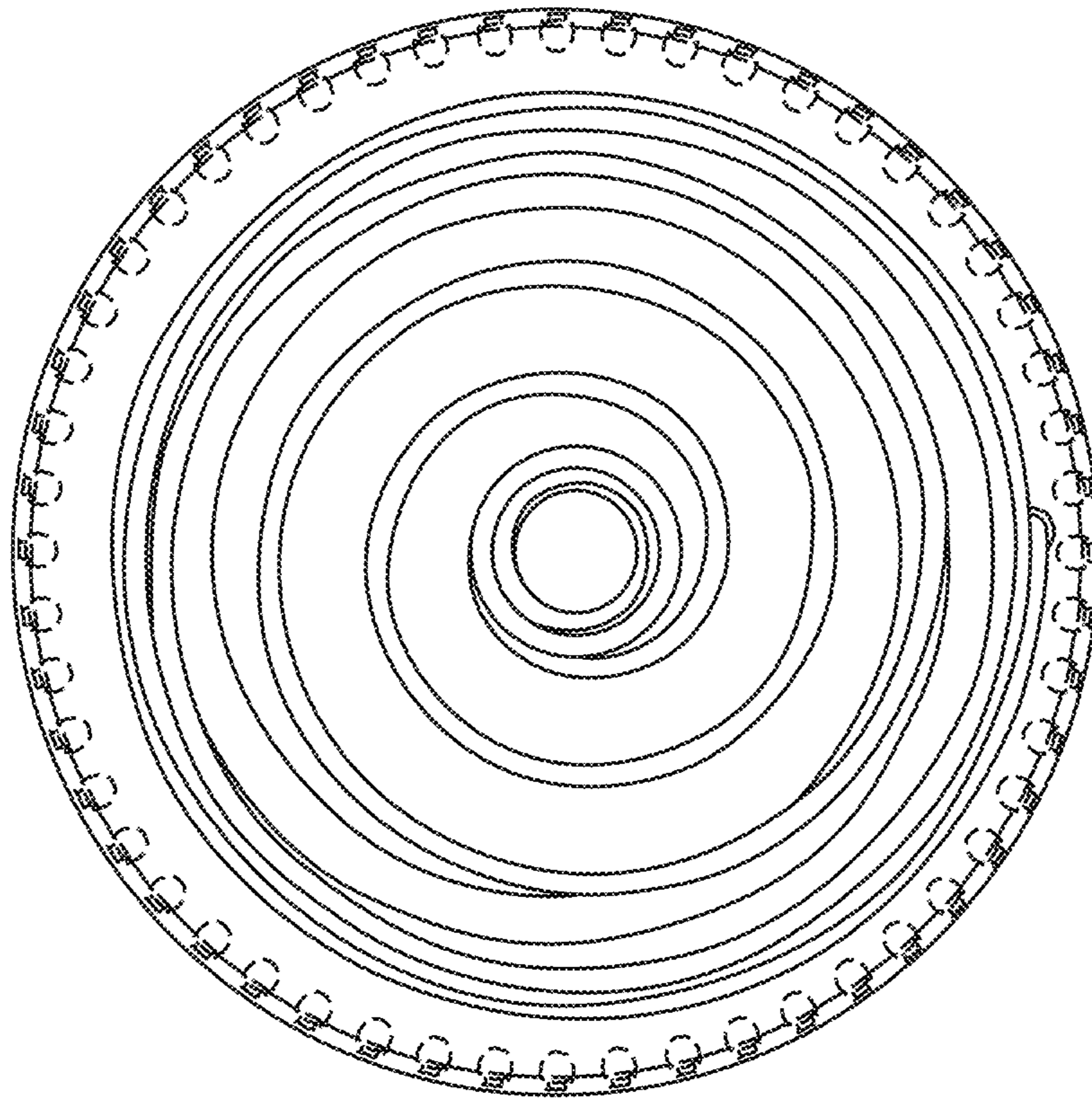


FIG. 6



**FIG. 7**



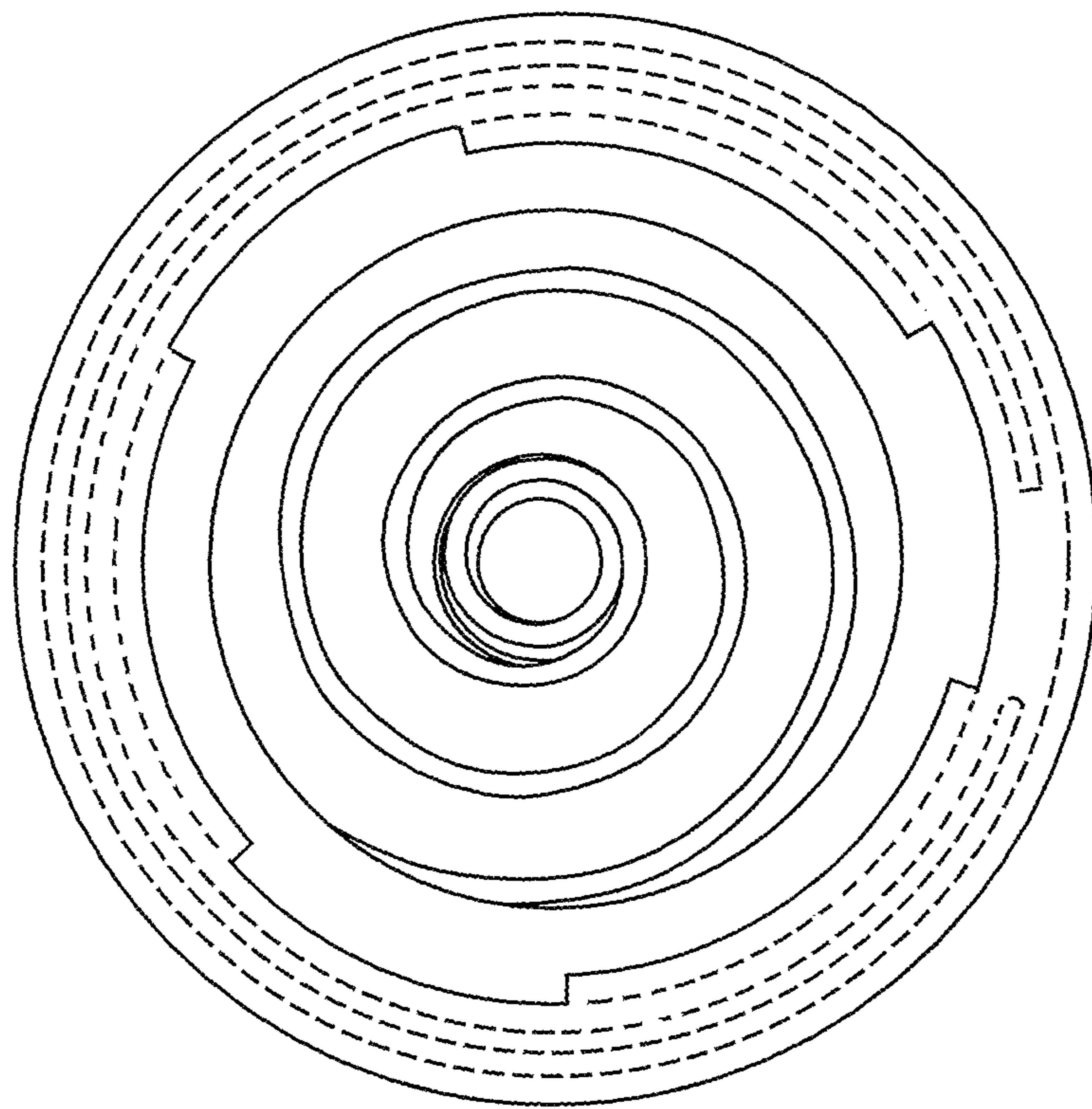


FIG. 8