



US00D751625S

(12) **United States Design Patent**
Vesper

(10) **Patent No.:** **US D751,625 S**
(45) **Date of Patent:** **** Mar. 15, 2016**

(54) **HANDHELD VIDEOGRAPHY AND PHOTOGRAPHY STABILIZATION DEVICE**

(71) Applicant: **Alexander Nicholas Vesper**, Cincinnati, OH (US)

(72) Inventor: **Alexander Nicholas Vesper**, Cincinnati, OH (US)

(**) Term: **14 Years**

(21) Appl. No.: **29/513,432**

(22) Filed: **Dec. 30, 2014**

(51) **LOC (10) Cl.** **16-05**

(52) **U.S. Cl.**
USPC **D16/242**

(58) **Field of Classification Search**
USPC D16/237, 239, 242, 244, 245, 250;
248/121, 176.1, 177.1, 187.1, 243,
248/535, 917-918; 396/419, 421, 422, 425,
396/428, 535

CPC G03B 17/561; F16M 13/04; F16M 13/00
See application file for complete search history.

(56) **References Cited**

U.S. PATENT DOCUMENTS

D570,396 S *	6/2008	Foddis	D16/242
D609,734 S *	2/2010	Foddis	D16/242
D707,748 S *	6/2014	Hernandez	D16/243
D714,377 S *	9/2014	Yamauchi	D16/242
2009/0321593 A1 *	12/2009	Foddis	F16M 11/04 248/187.1
2015/0205187 A1 *	7/2015	Preciat Cervera	...	G03B 17/561 348/211.2

* cited by examiner

Primary Examiner — Susan Bennett Hattan
Assistant Examiner — Leanne Was

(57) **CLAIM**

The ornamental design for a handheld videography and photography stabilization device, as shown and described.

DESCRIPTION

FIG. 1 is a top-front perspective view of my handheld videography and photography stabilization device.

FIG. 2 is a top-front-left perspective view of my device.

FIG. 3 is a top-left perspective view of my device.

FIG. 4 is a top-back-left perspective view of my device.

FIG. 5 is a top-back perspective view of my device.

FIG. 6 is a top-back-right perspective view of my device.

FIG. 7 is a top-right perspective view of my device.

FIG. 8 is a top-front-right perspective view of my device.

FIG. 9 is a top view of my device.

FIG. 10 is a bottom view of my device.

FIG. 11 is a bottom-front perspective view of my device.

FIG. 12 is a bottom-front-left perspective view of my device.

FIG. 13 is a bottom-left perspective view of my device.

FIG. 14 is a bottom-back-left perspective view of my device.

FIG. 15 is a bottom-back perspective view of my device.

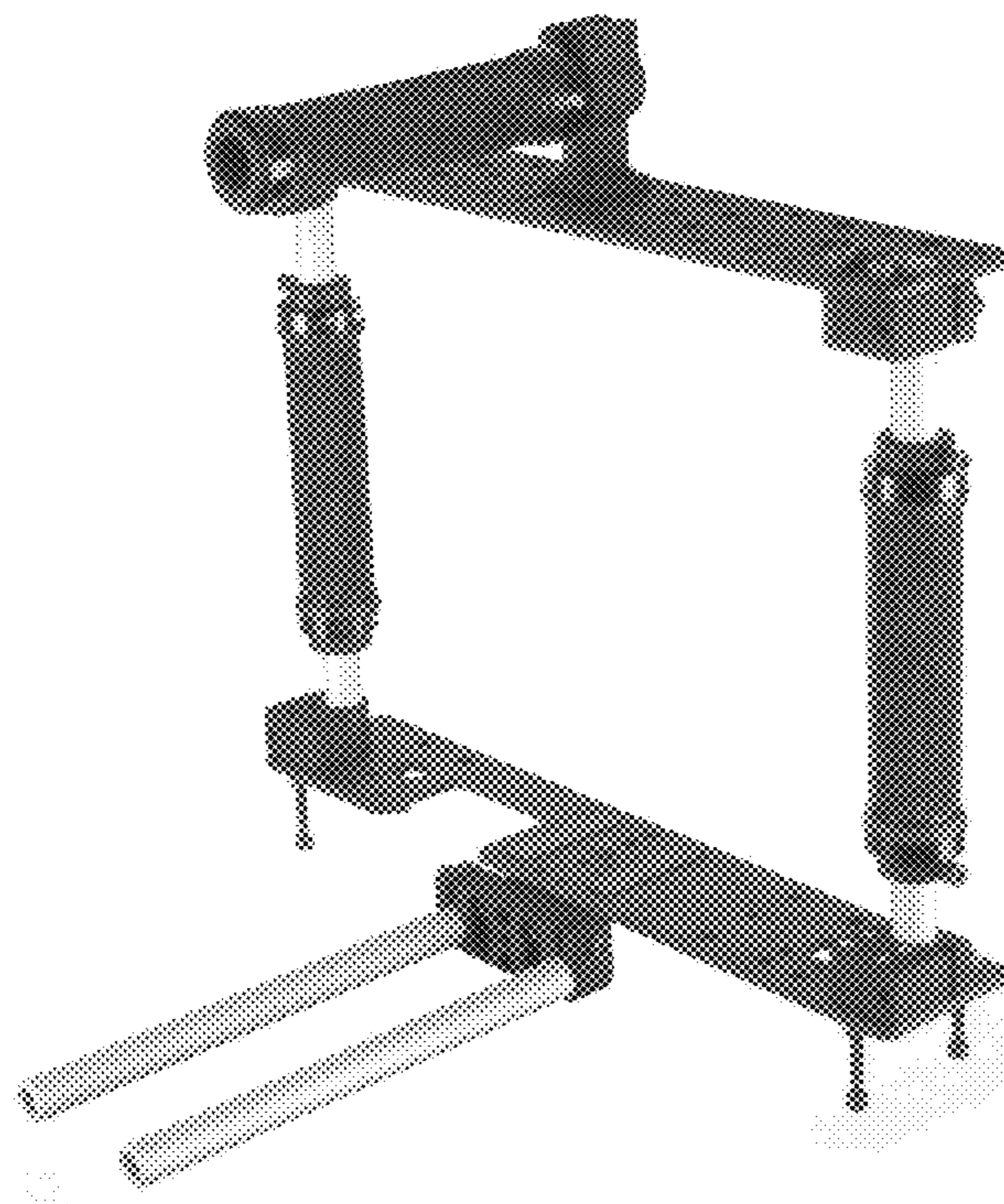
FIG. 16 is a bottom-back-right perspective view of my device.

FIG. 17 is a bottom-right perspective view of my device; and,

FIG. 18 is a bottom-front-right perspective view of my device.

The device allows the user to mount camera or videography equipment within the device and then hold the handgrips to steady the equipment during photography and video shooting.

1 Claim, 18 Drawing Sheets



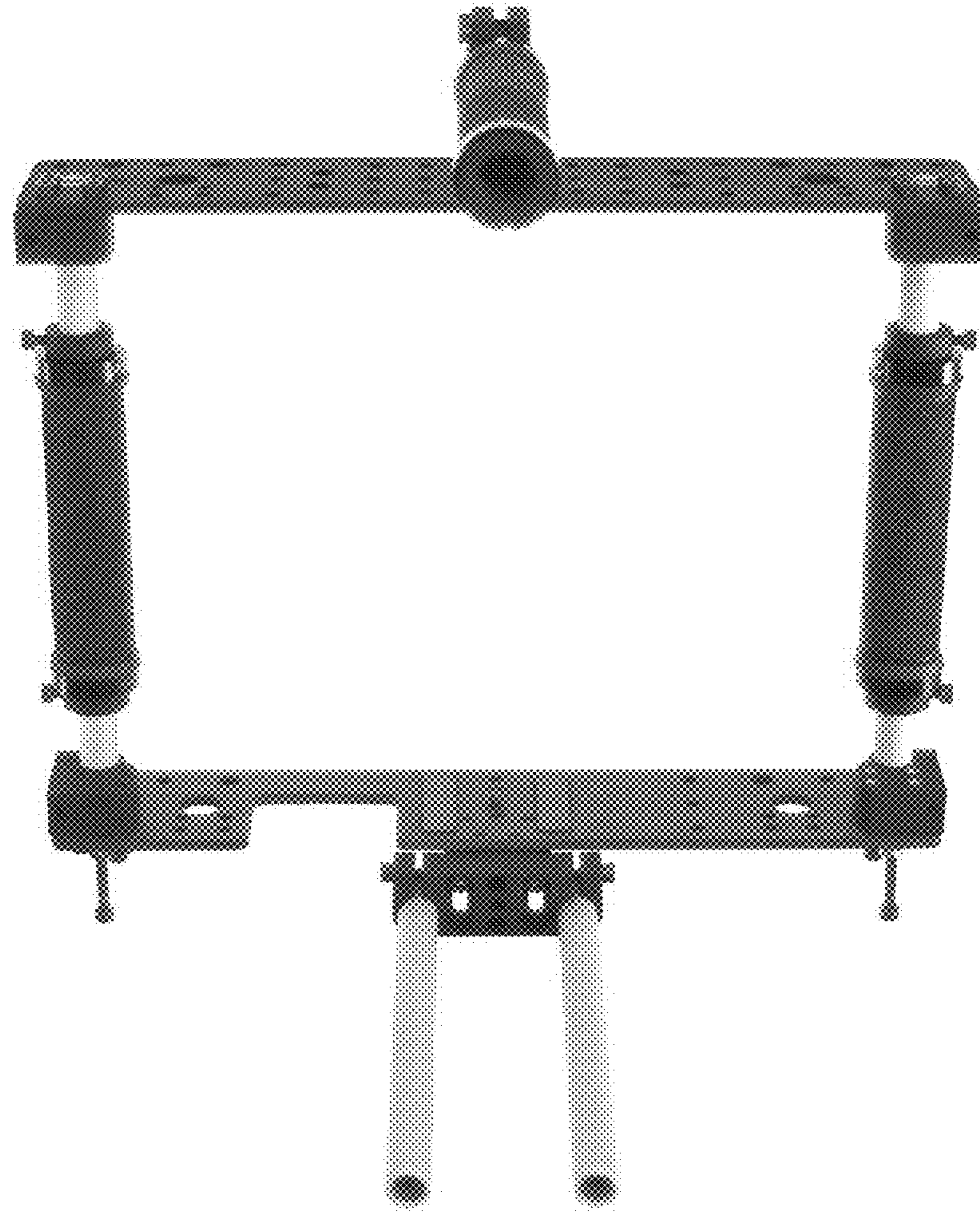


Fig. 1



Fig. 2

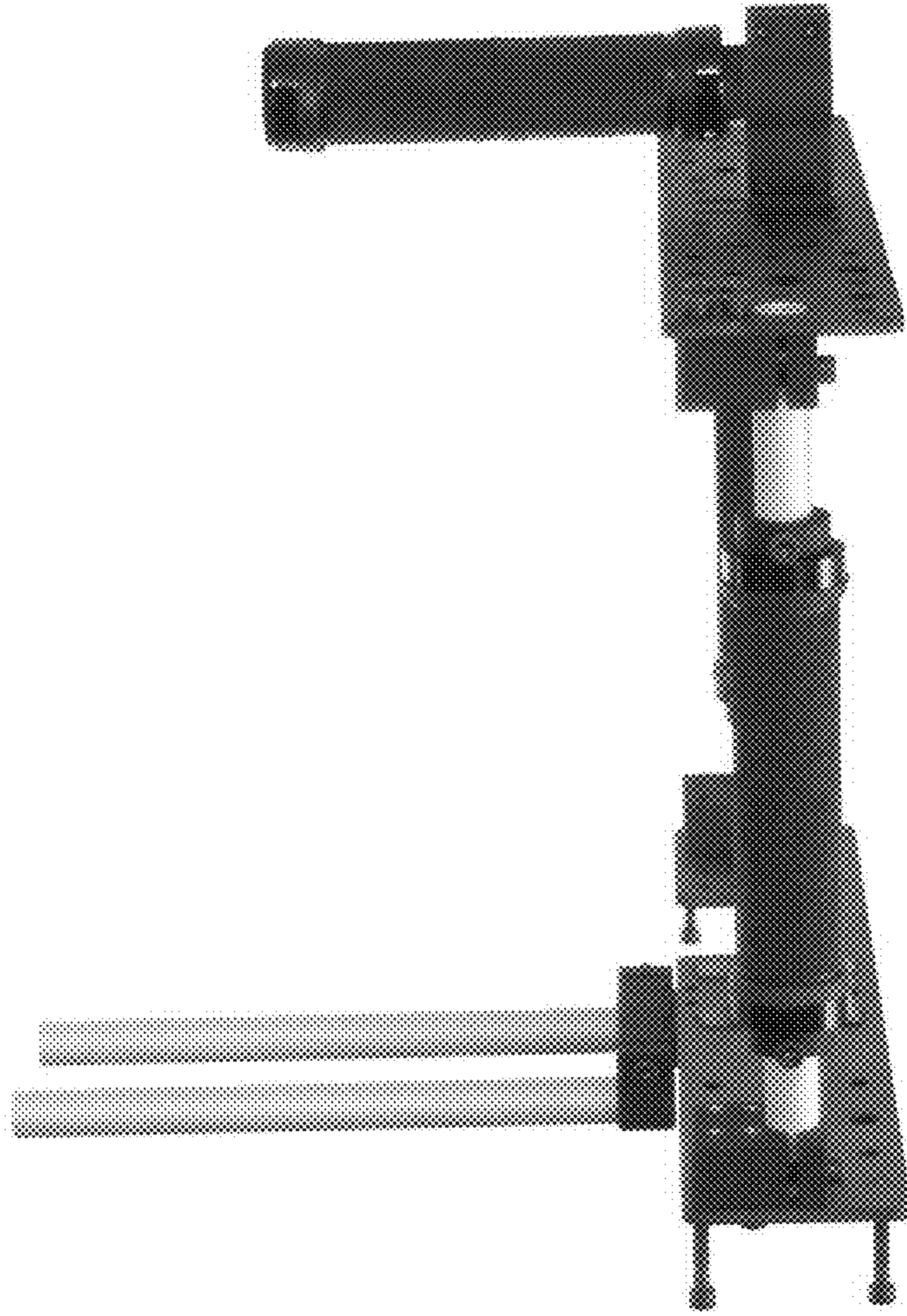


Fig. 3



Fig. 4

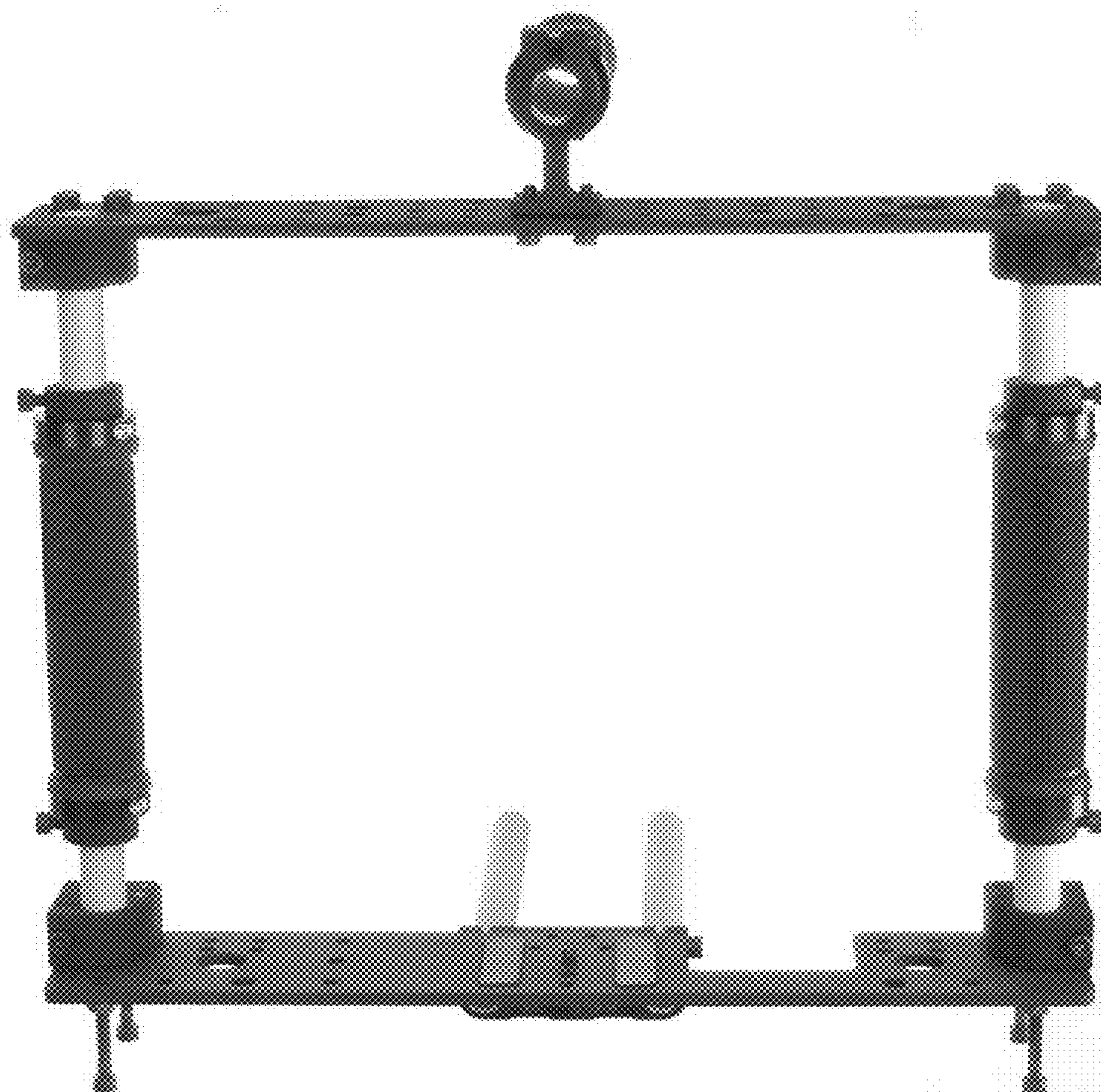


Fig. 5

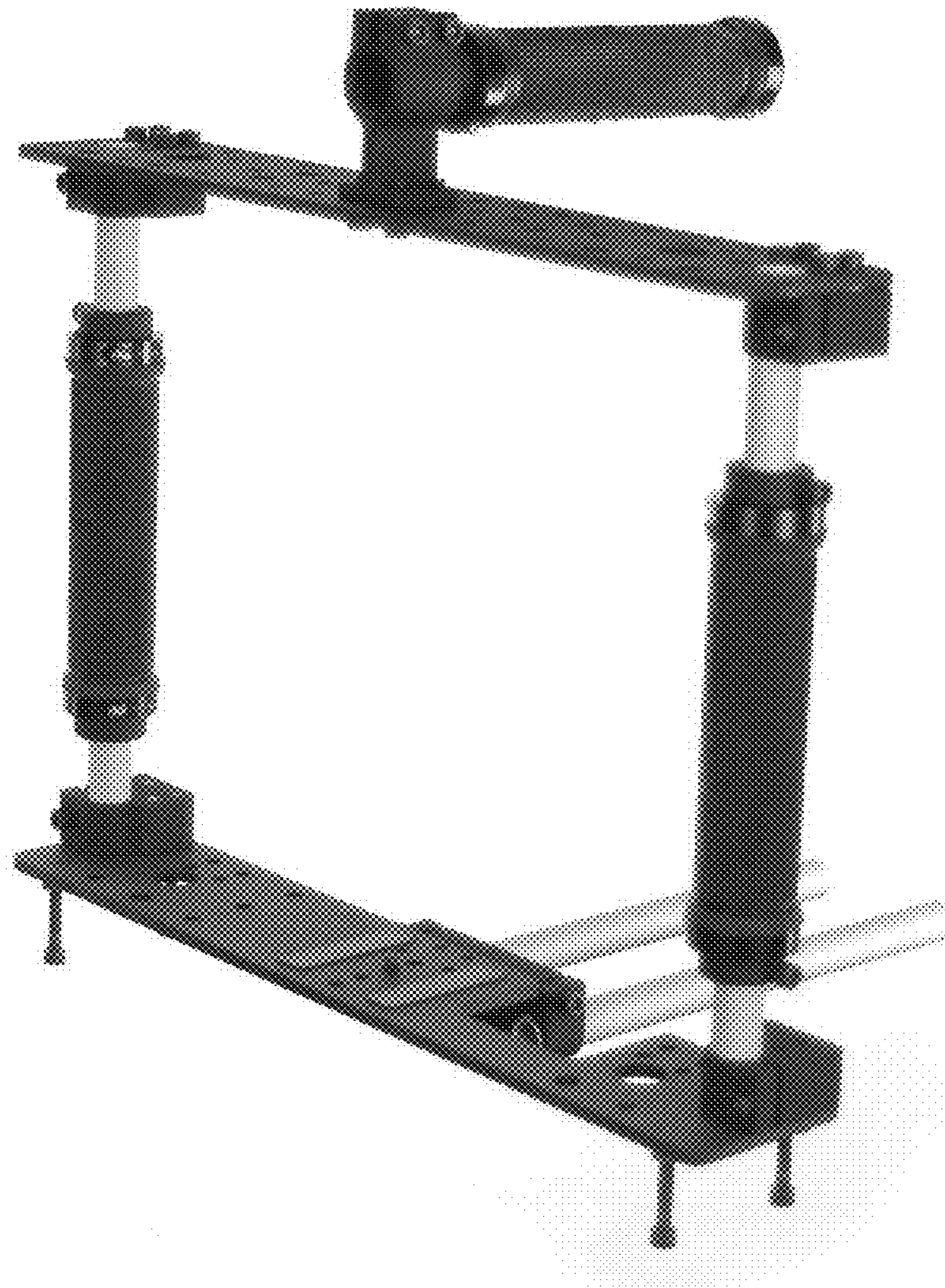


Fig. 6

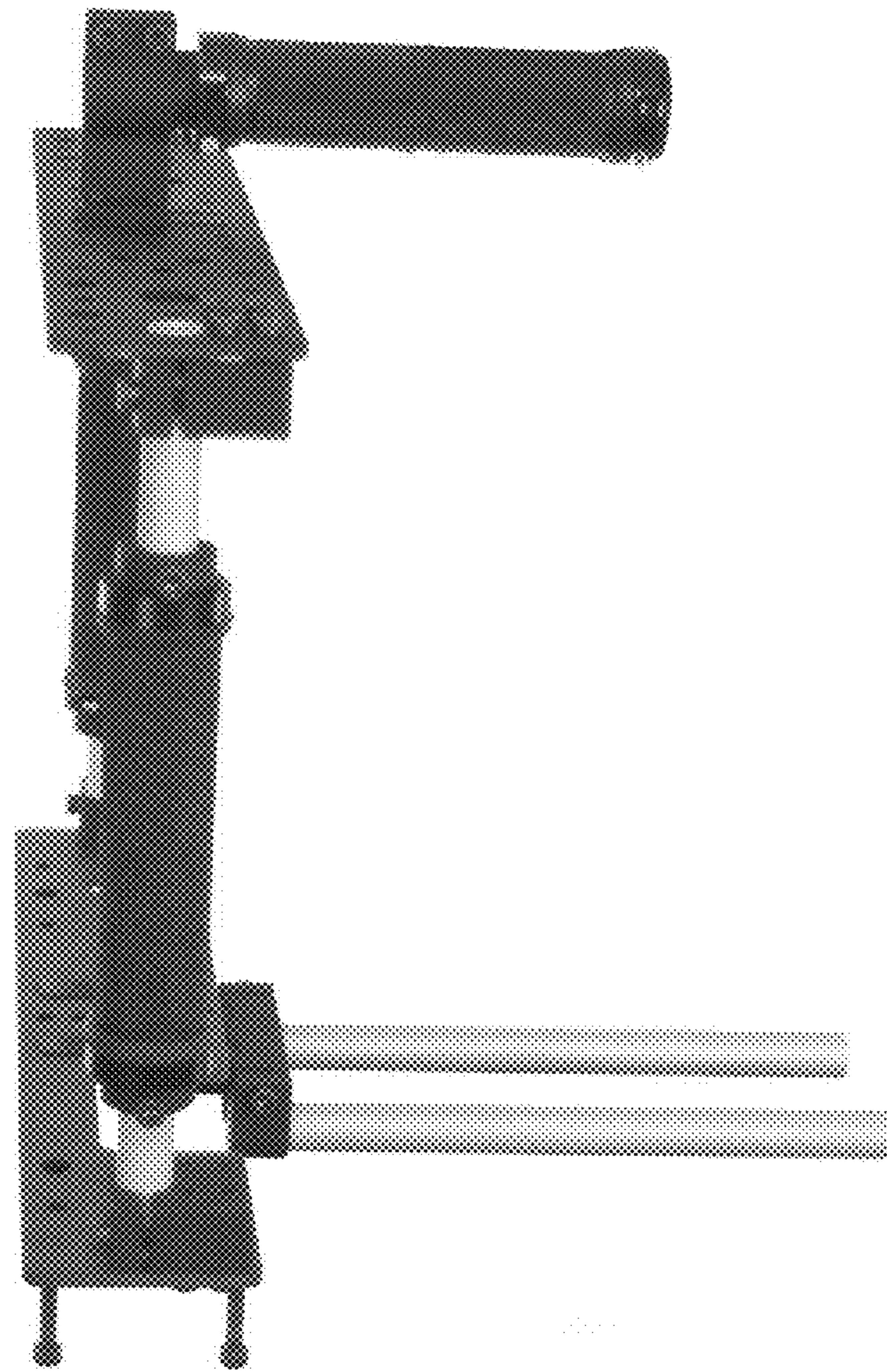


Fig. 7



Fig. 8

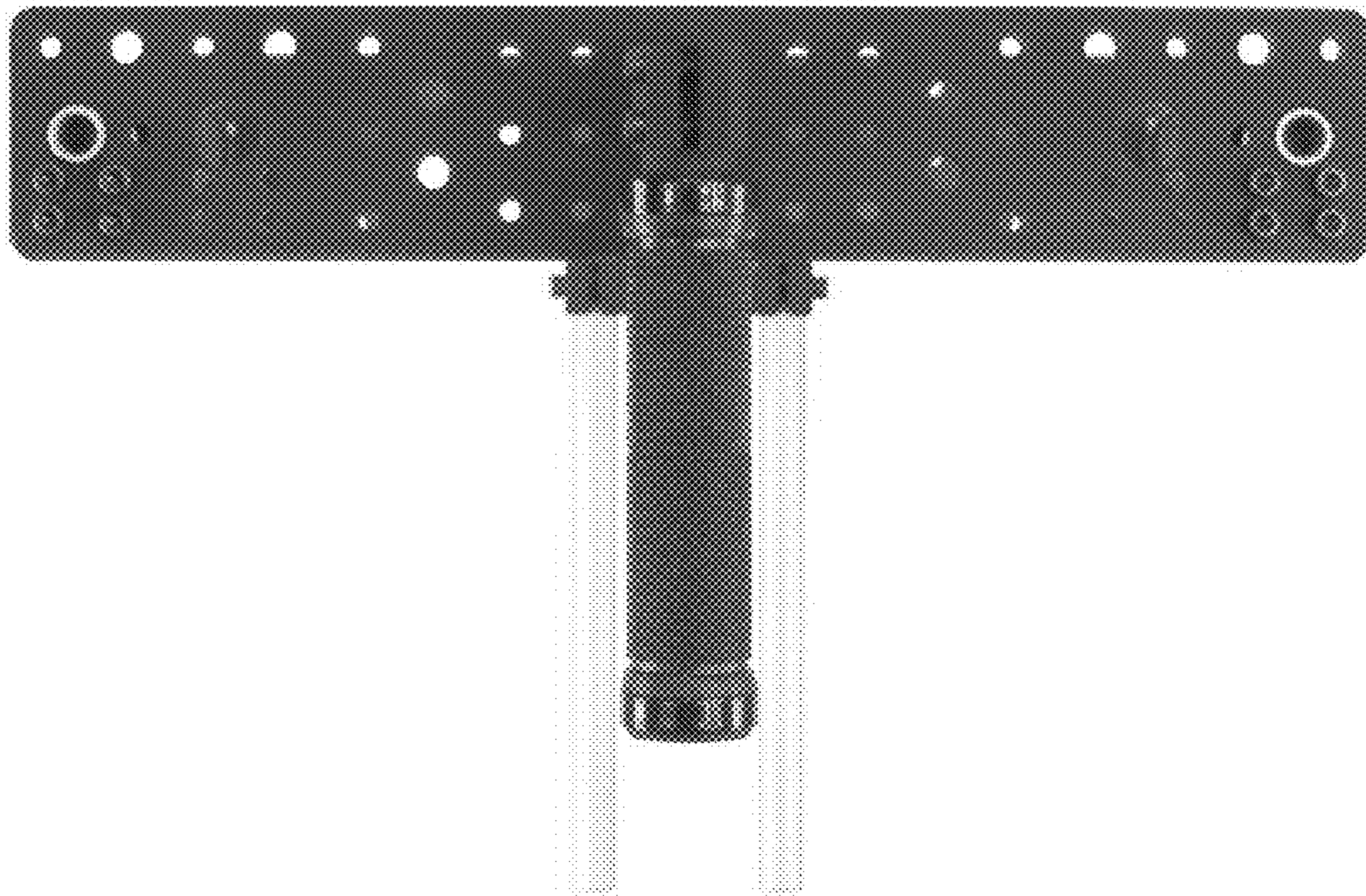


Fig. 9

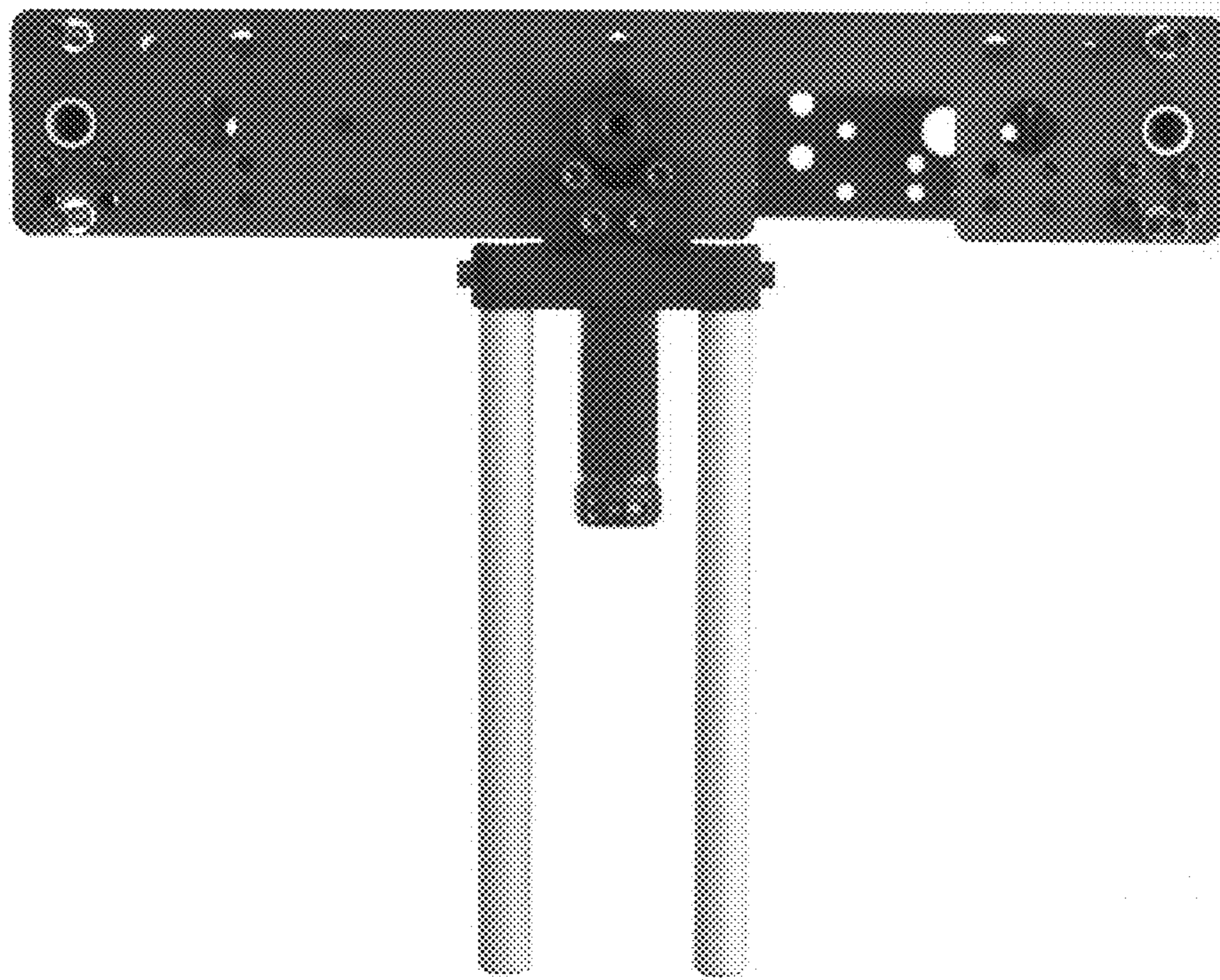


Fig. 10

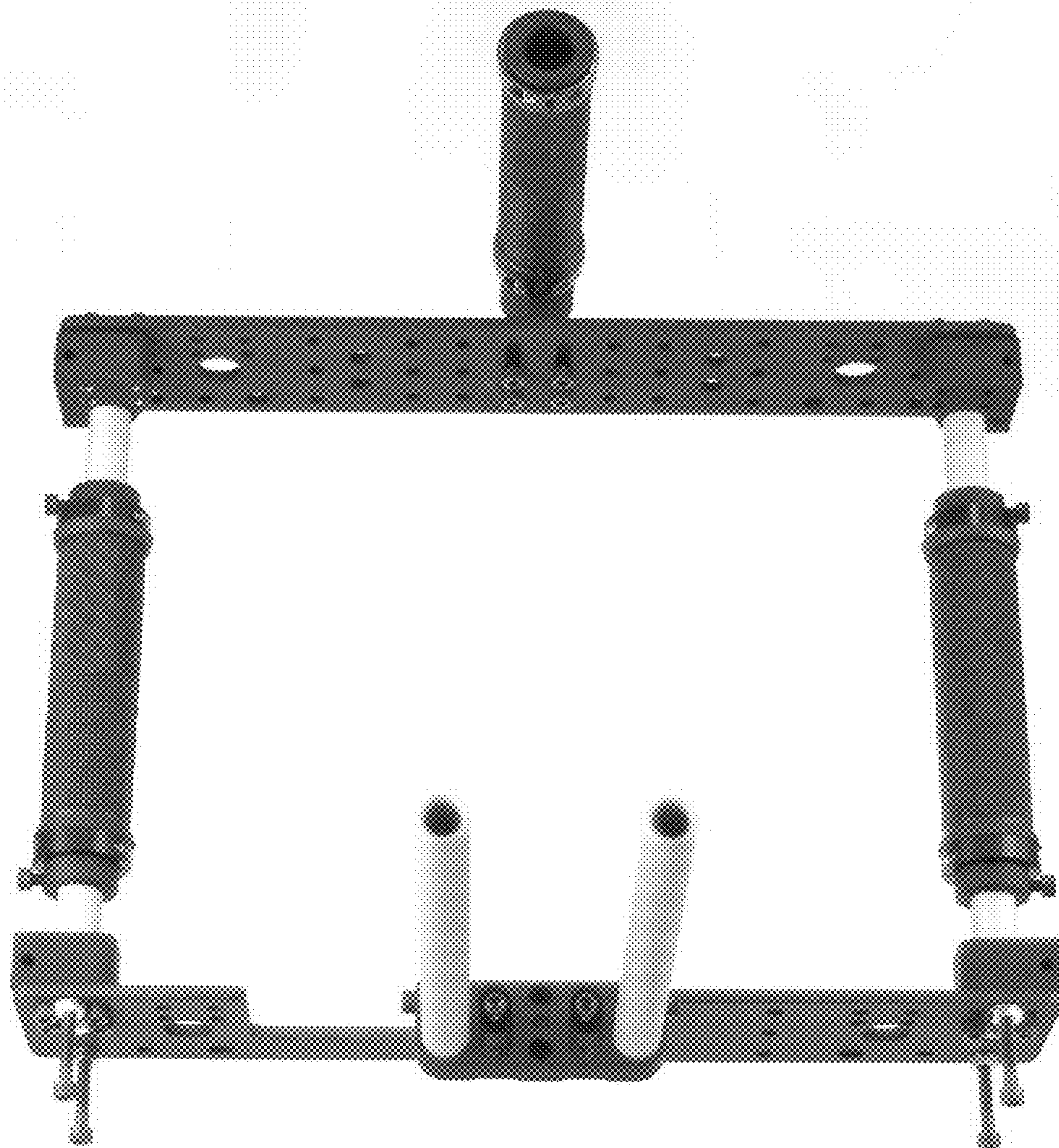


Fig. 11

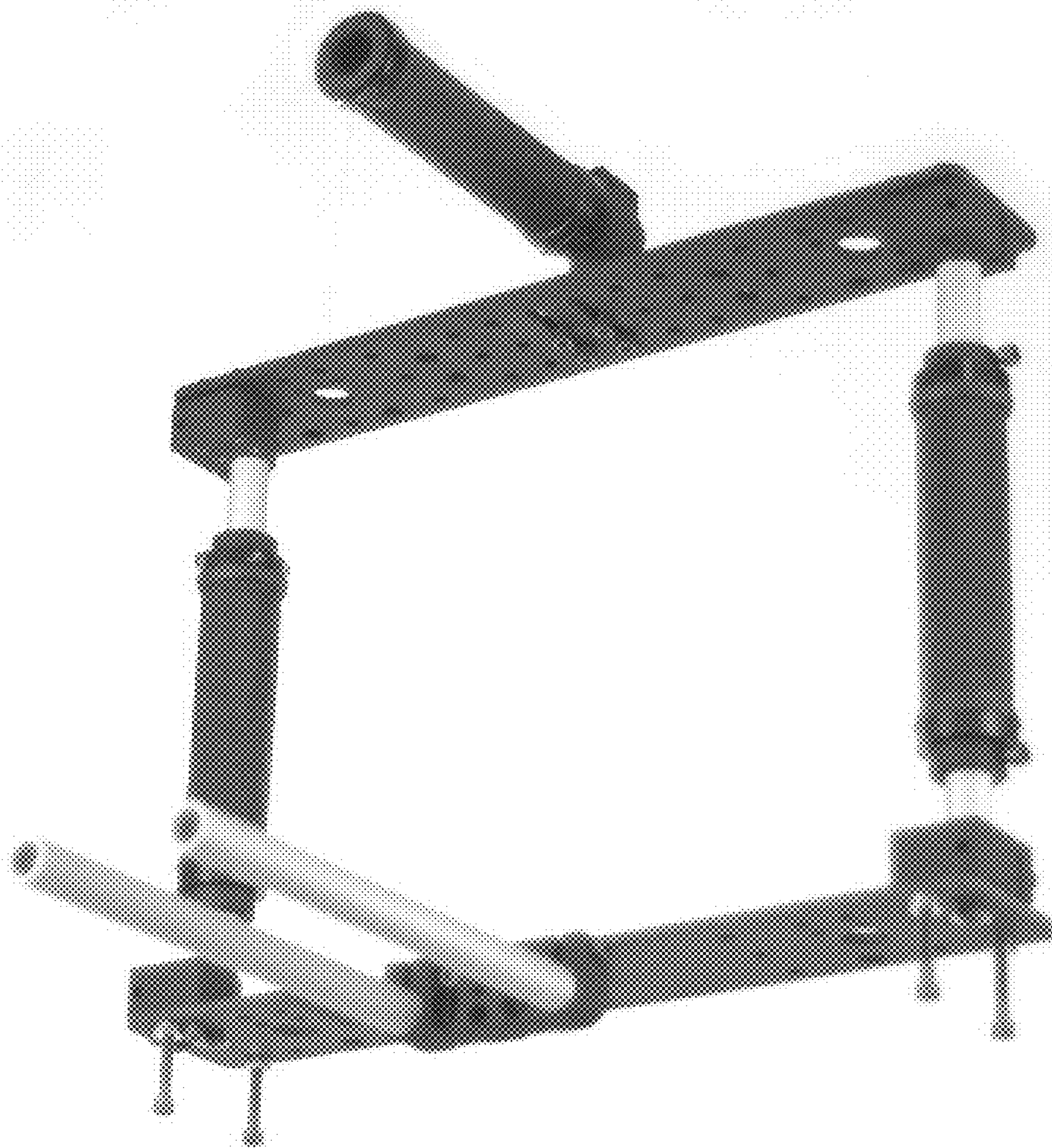


Fig. 12

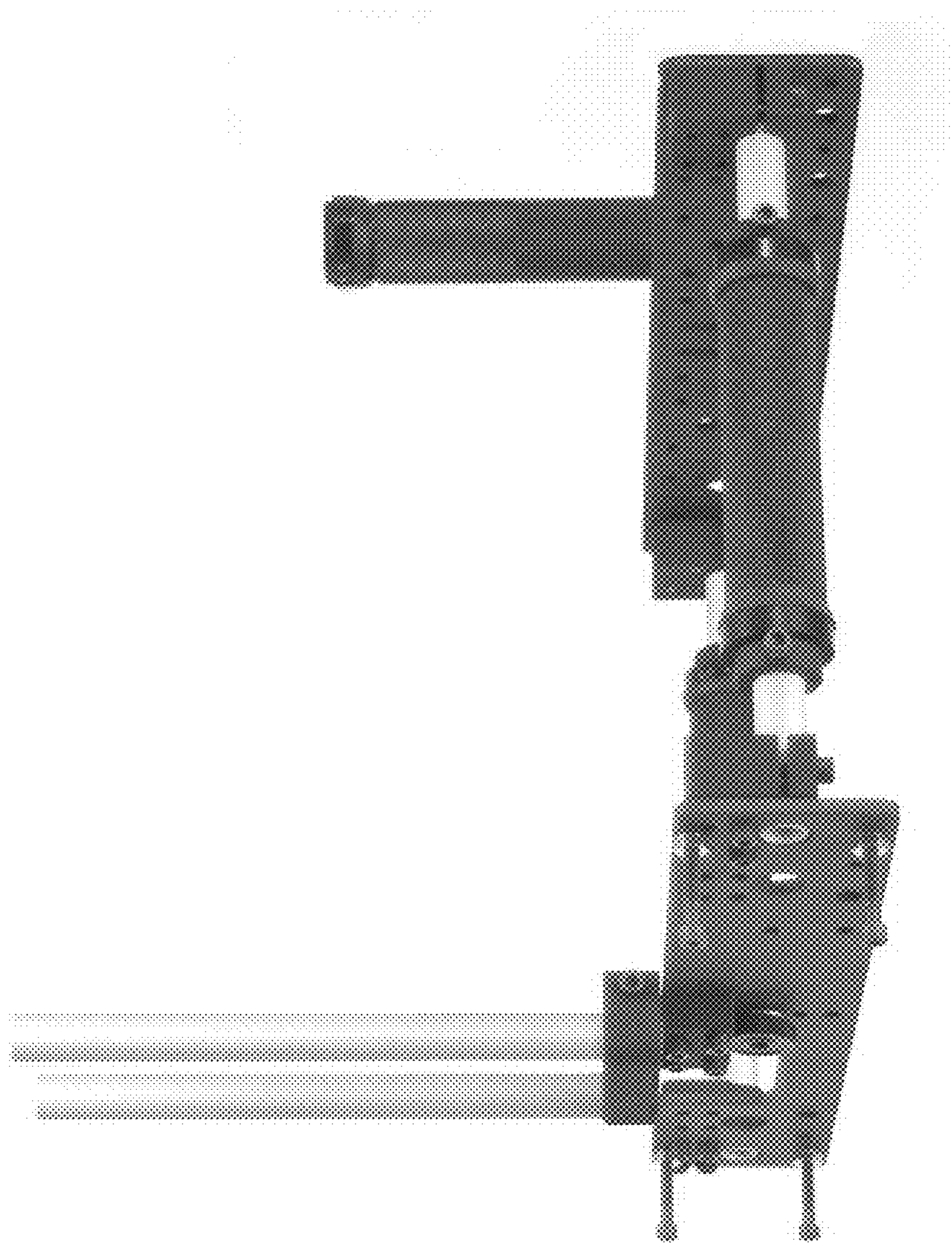


Fig. 13

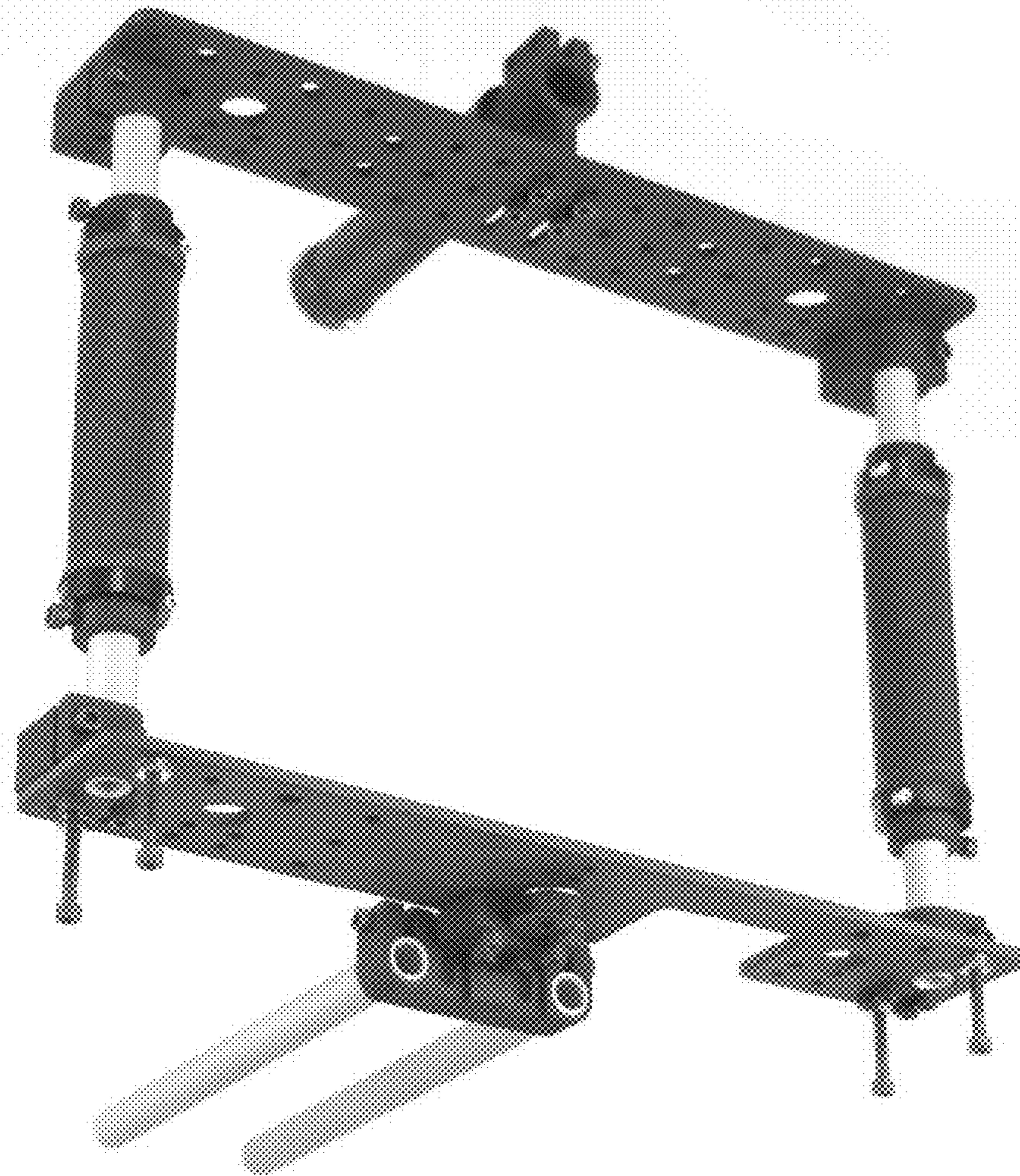


Fig. 14

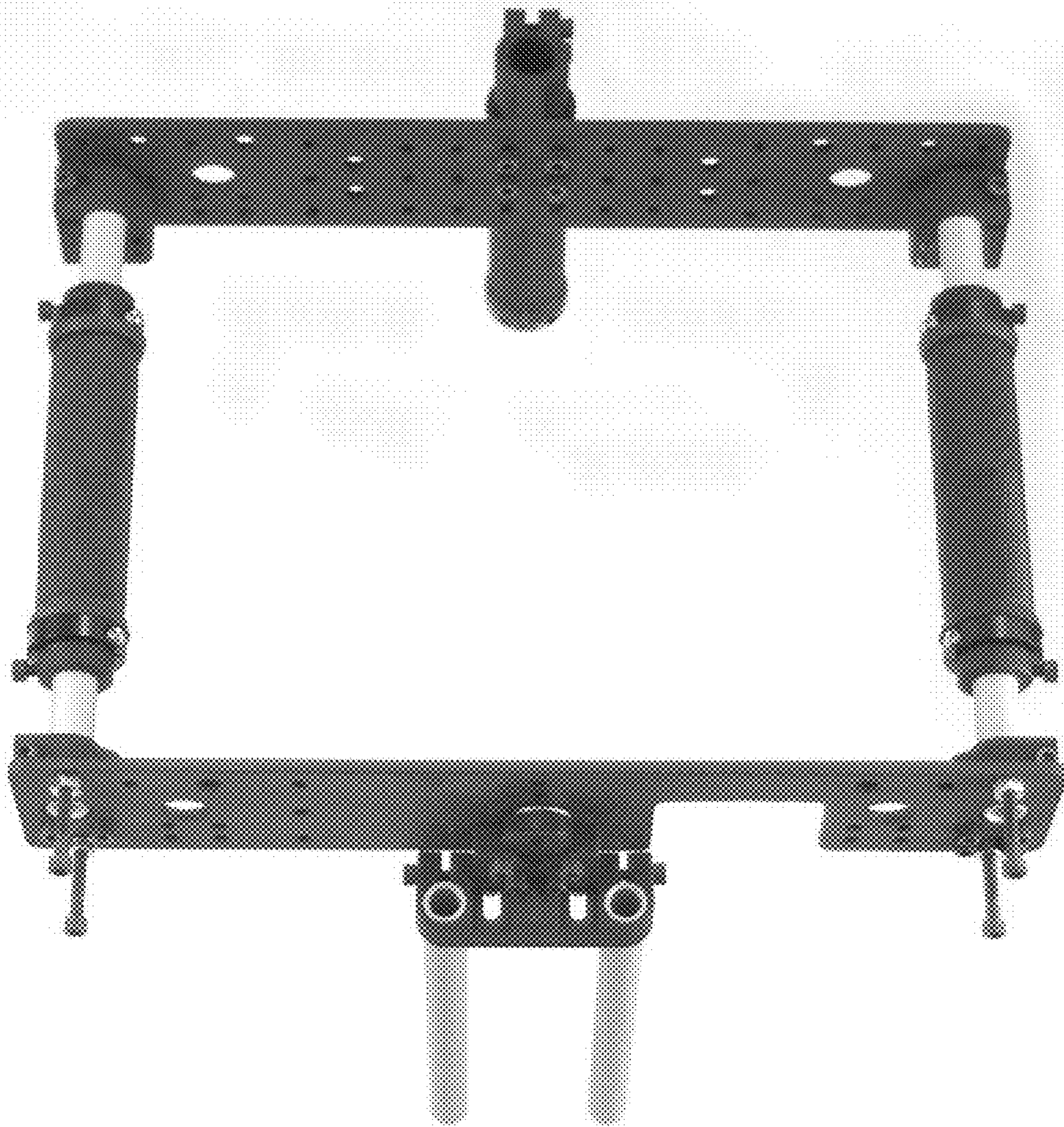


Fig. 15

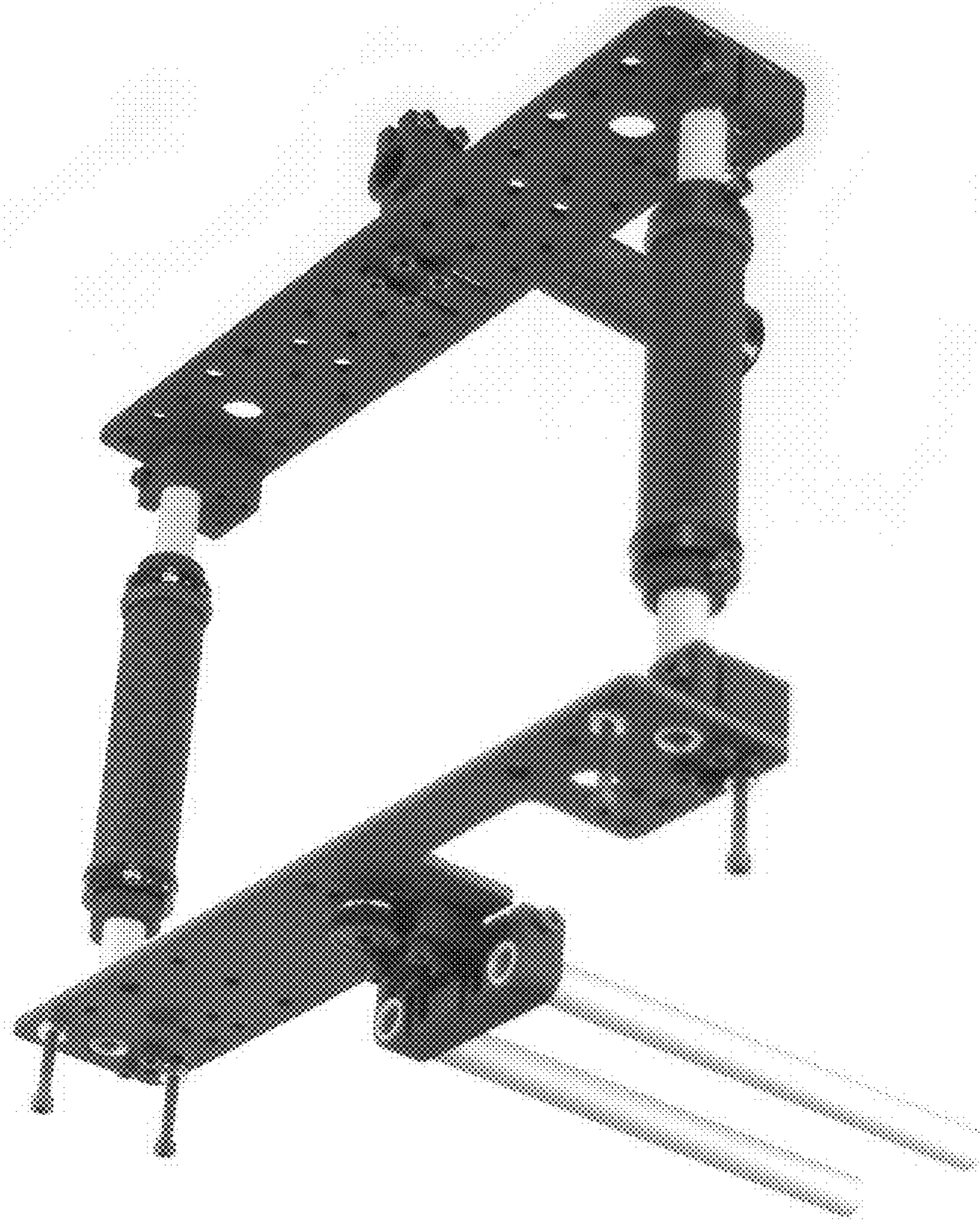


Fig. 16

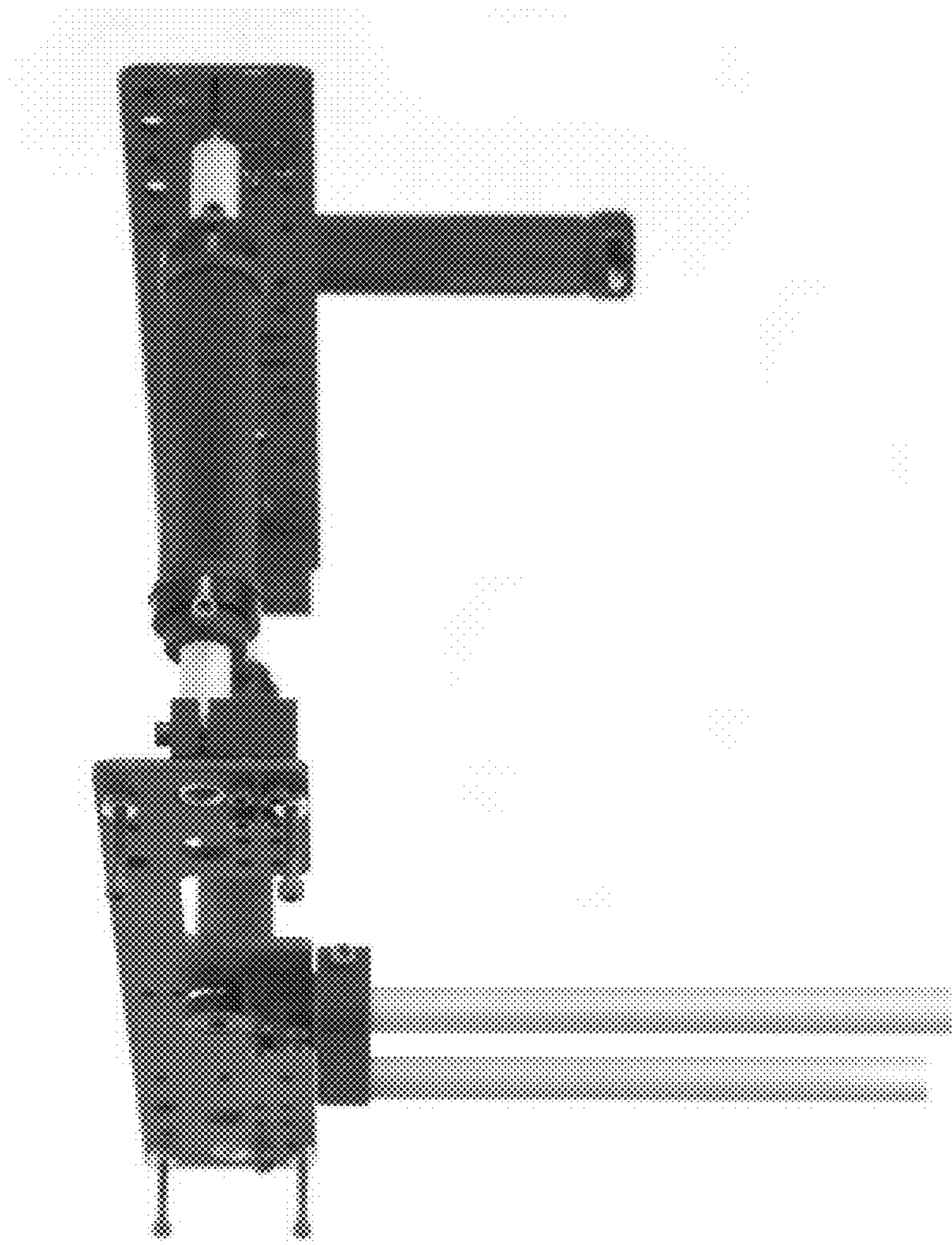


Fig. 17



Fig. 18