



US00D751623S

(12) **United States Design Patent**  
**Tsuruta et al.**

(10) **Patent No.:** **US D751,623 S**  
(45) **Date of Patent:** **\*\* Mar. 15, 2016**

(54) **DIGITAL CAMERA WITH ANIMATED GRAPHICAL USER INTERFACE**

(71) Applicant: **Nikon Corporation**, Tokyo (JP)

(72) Inventors: **Kaori Tsuruta**, Kamakura (JP); **Asuka Nakamura**, Tokyo (JP); **Sumito Watanabe**, Yokohama (JP)

(73) Assignee: **Nikon Corporation**, Tokyo (JP)

(\*\*) Term: **14 Years**

(21) Appl. No.: **29/461,559**

(22) Filed: **Jul. 24, 2013**

(30) **Foreign Application Priority Data**

Jan. 28, 2013 (JP) ..... 2013-001483  
Jan. 28, 2013 (JP) ..... 2013-001484

(51) **LOC (10) Cl.** ..... **16-01**

(52) **U.S. Cl.**  
USPC ..... **D16/219**; D14/488

(58) **Field of Classification Search**  
USPC ..... D14/126, 127, 140.11, 485-495, 507, D14/511; D20/10, 11, 20, 40; D16/200, D16/201, 202, 206, 208, 209, 229, 241  
CPC ... G06F 3/048; G06F 3/0481; G06F 3/04812; G06F 3/04817; G06F 3/0482; G06F 3/0483; G06F 3/0484; G06F 3/04842; G06F 3/0485; G06F 3/04855; G06F 3/04886; G06F 15/0225; G06F 3/04883; H04N 21/00; H04N 5/4403; H04N 1/00129; H04N 1/00185; H04N 1/00408; G06Q 30/00  
See application file for complete search history.

(56) **References Cited**

**U.S. PATENT DOCUMENTS**

D137,874 S \* 5/1944 Partridge ..... D20/36  
D453,167 S \* 1/2002 Hasegawa et al. .... D14/489

(Continued)

**OTHER PUBLICATIONS**

Press Release: Website, [http://www.nikon.co.jp/news/2012/0315\\_coolpix-s30\\_01.htm](http://www.nikon.co.jp/news/2012/0315_coolpix-s30_01.htm), Coolpix S30 of Nikon Corporation, Date: Mar. 15, 2012, pp. 1-7.

*Primary Examiner* — Mary Ann Calabrese  
*Assistant Examiner* — Jennifer L Rempfer  
(74) *Attorney, Agent, or Firm* — Wolf, Greenfield & Sacks, P.C.

(57) **CLAIM**

The ornamental design for a digital camera with animated graphical user interface, as shown and described.

**DESCRIPTION**

FIG. 1 is a perspective view of the digital camera with animated graphical user interface showing our new design; FIG. 2 is a front view thereof showing a first image in a sequence for a display screen with a transitional user interface;

FIG. 3 is a top plan view of FIG. 1; FIG. 4 is a bottom plan view of FIG. 1;

FIG. 5 is a left side view of FIG. 1;

FIG. 6 is a front view of FIG. 1 showing a second image in a sequence for a display screen with a transitional user interface;

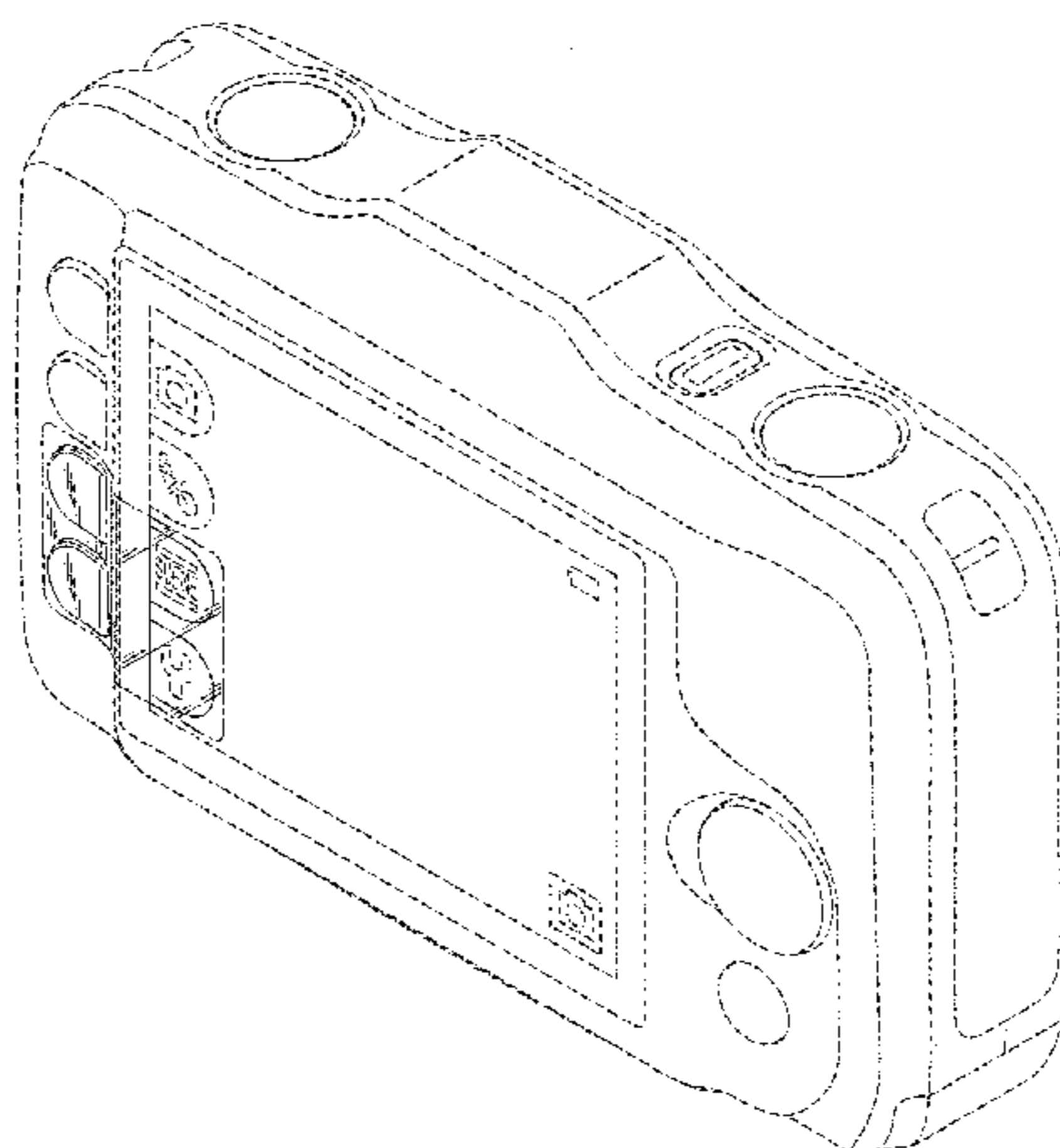
FIG. 7 is a front view of FIG. 1 showing a third image in a sequence for a display screen with a transitional user interface; and,

FIG. 8 is a front view of FIG. 1 showing a fourth image in a sequence for a display screen with a transitional user interface.

The features shown in broken lines in the drawings depict portions of the digital camera with animated graphical user interface that form no part of the claimed design. The dashed-dotted lines denote the boundary of the claim and form no part of the claimed design.

The appearance of the digital camera display screen graphical user interface image transitions sequentially between the images shown in FIGS. 1-2 and 6-8. The subject matter in this patent includes a process or period in which an image changes into a subsequent state of. This process or period forms no part of the claimed design.

**1 Claim, 8 Drawing Sheets**



(56)

**References Cited**

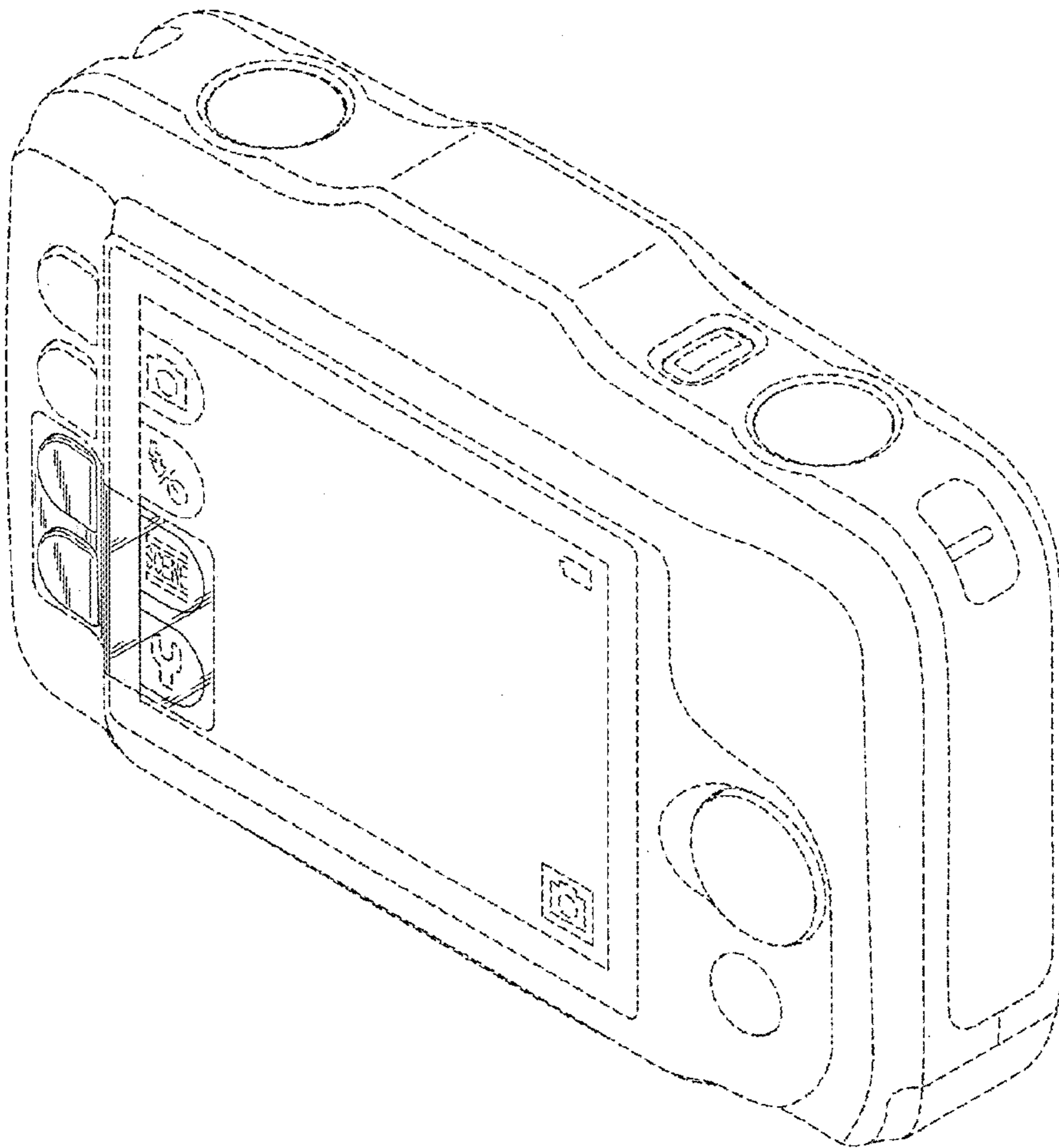
U.S. PATENT DOCUMENTS

6,559,773 B1 \* 5/2003 Berry ..... 340/815.4  
 D475,383 S \* 6/2003 Omino ..... D16/202  
 7,047,092 B2 \* 5/2006 Wimsatt ..... 700/83  
 D523,439 S \* 6/2006 Kuroda ..... D14/485  
 D523,868 S 6/2006 Kuroda  
 D564,561 S \* 3/2008 Takahashi ..... D16/217  
 D649,154 S \* 11/2011 Vance et al. .... D14/486  
 D681,710 S \* 5/2013 Sato ..... D16/200  
 D697,960 S \* 1/2014 Sato ..... D16/219  
 D698,366 S \* 1/2014 Matruglio ..... D14/492  
 D698,839 S \* 2/2014 Sato ..... D16/200

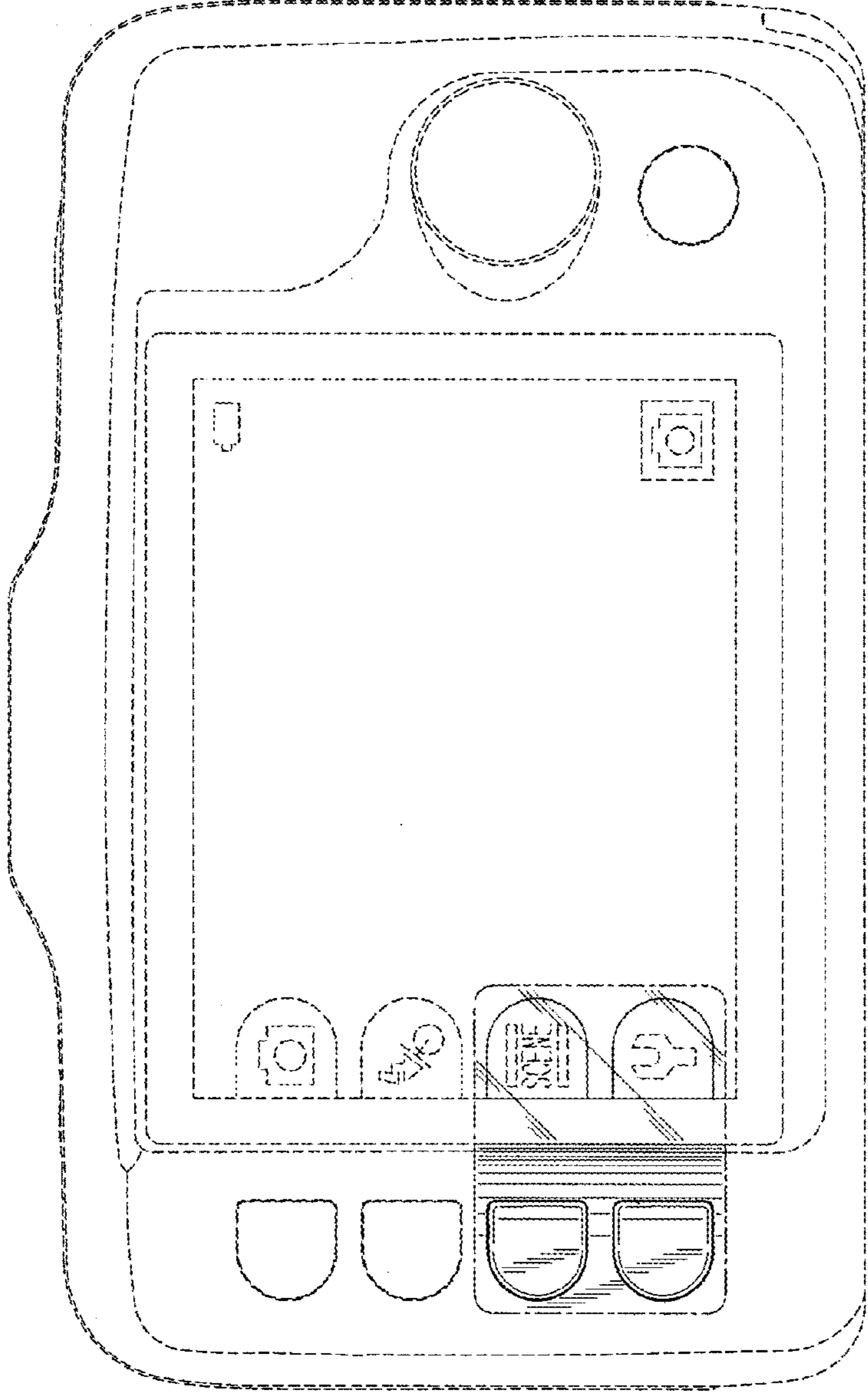
D701,236 S \* 3/2014 Hatta ..... D14/486  
 D701,550 S \* 3/2014 Umehara ..... D16/202  
 D702,748 S \* 4/2014 Muraki et al. .... D16/202  
 D710,425 S \* 8/2014 Sato ..... D16/219  
 D710,923 S \* 8/2014 Watanabe ..... D16/202  
 D716,862 S \* 11/2014 Hoshi ..... D16/202  
 D717,335 S \* 11/2014 Sakuma ..... D14/487  
 D719,992 S \* 12/2014 Peng ..... D16/202  
 D720,786 S \* 1/2015 Imamizu et al. .... D16/202  
 D722,076 S \* 2/2015 Zhang et al. .... D14/486  
 D722,077 S \* 2/2015 Zhang et al. .... D14/486  
 2002/0031345 A1 \* 3/2002 Miyamoto ..... 396/287  
 2009/0242368 A1 \* 10/2009 Chang et al. .... 200/310

\* cited by examiner

*FIG. 1*

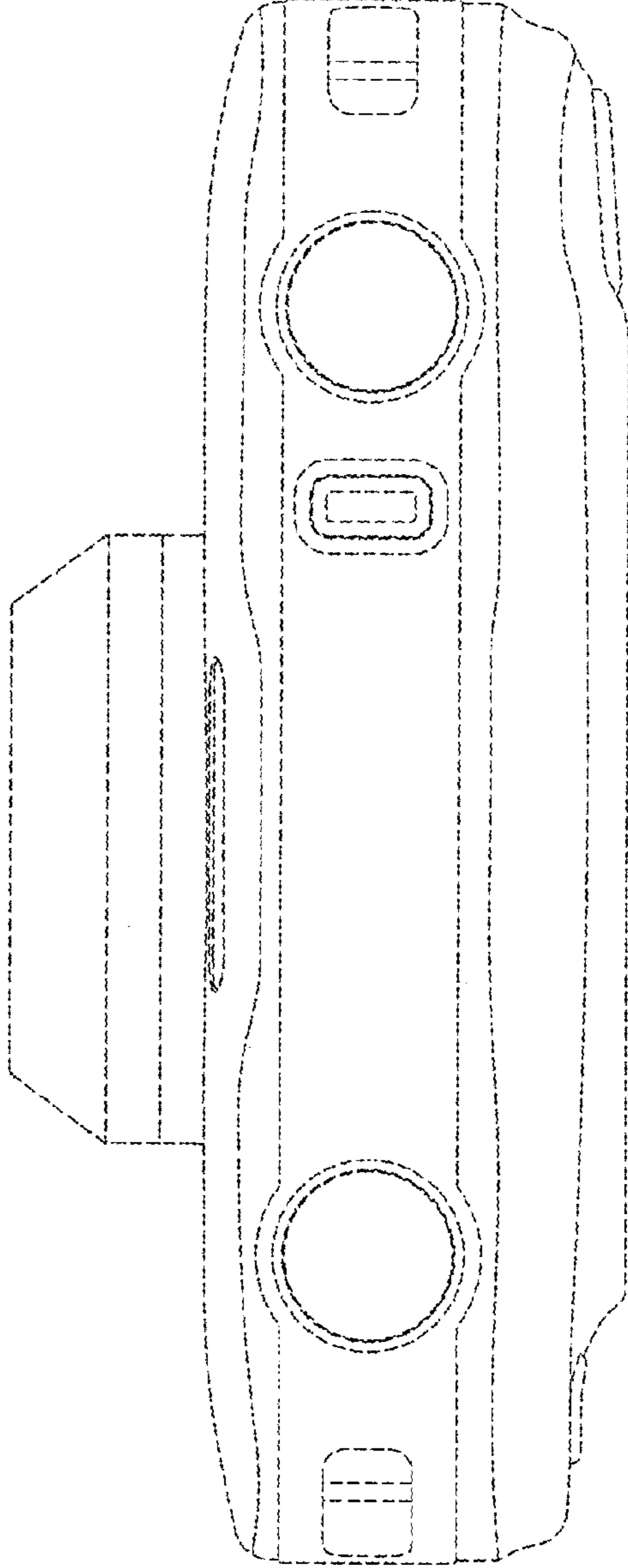


**FIG. 2**

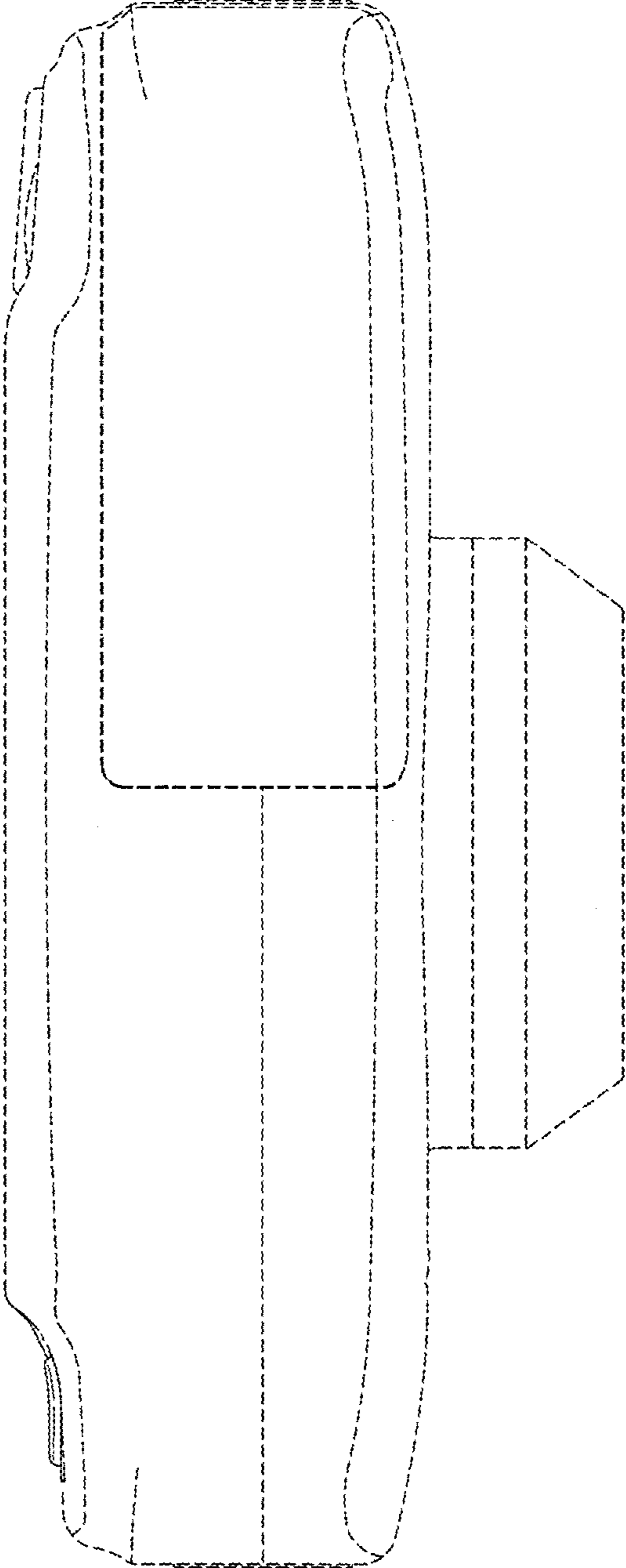




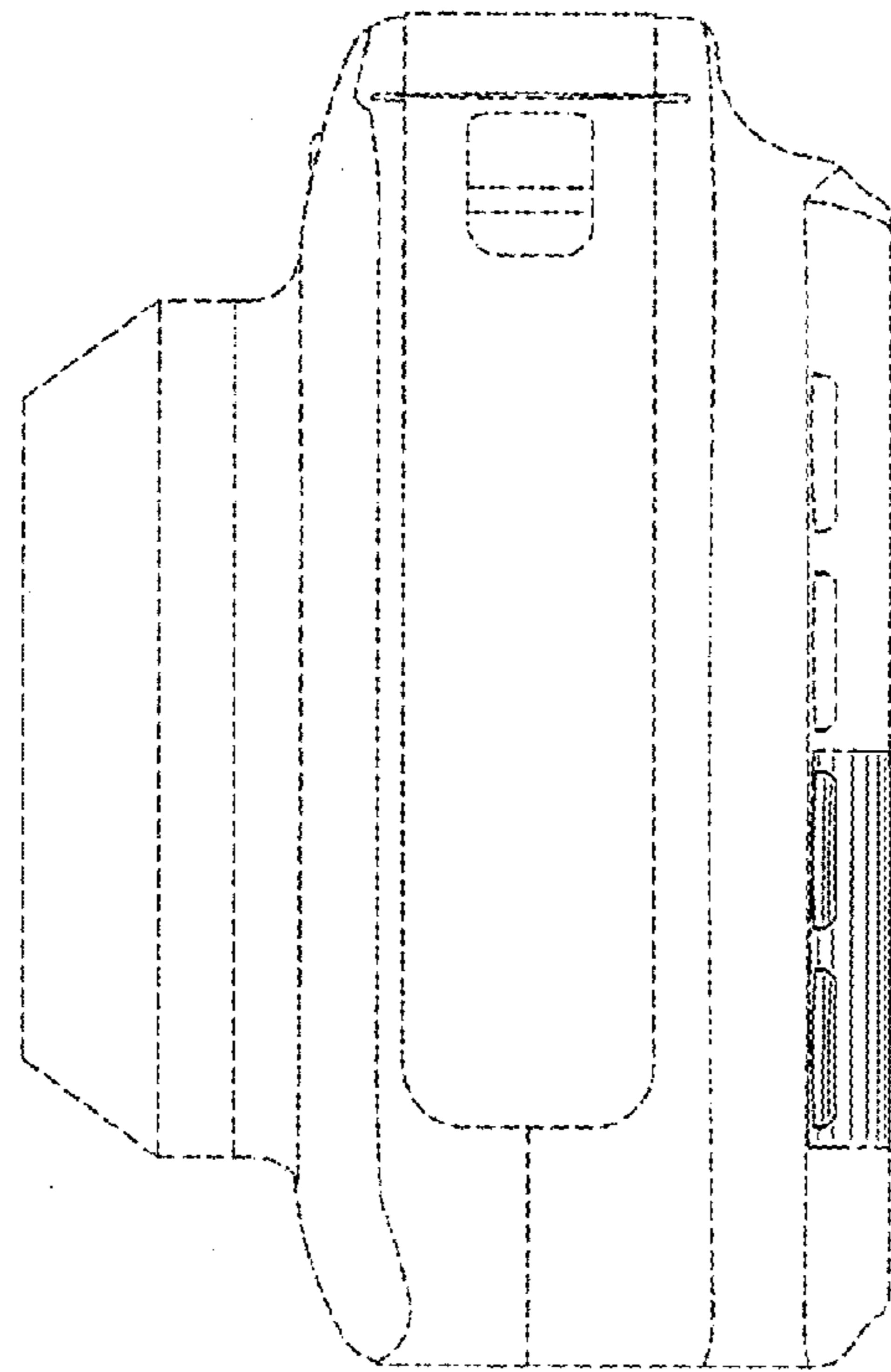
*FIG. 3*



**FIG. 4**



*FIG. 5*



*FIG. 6*

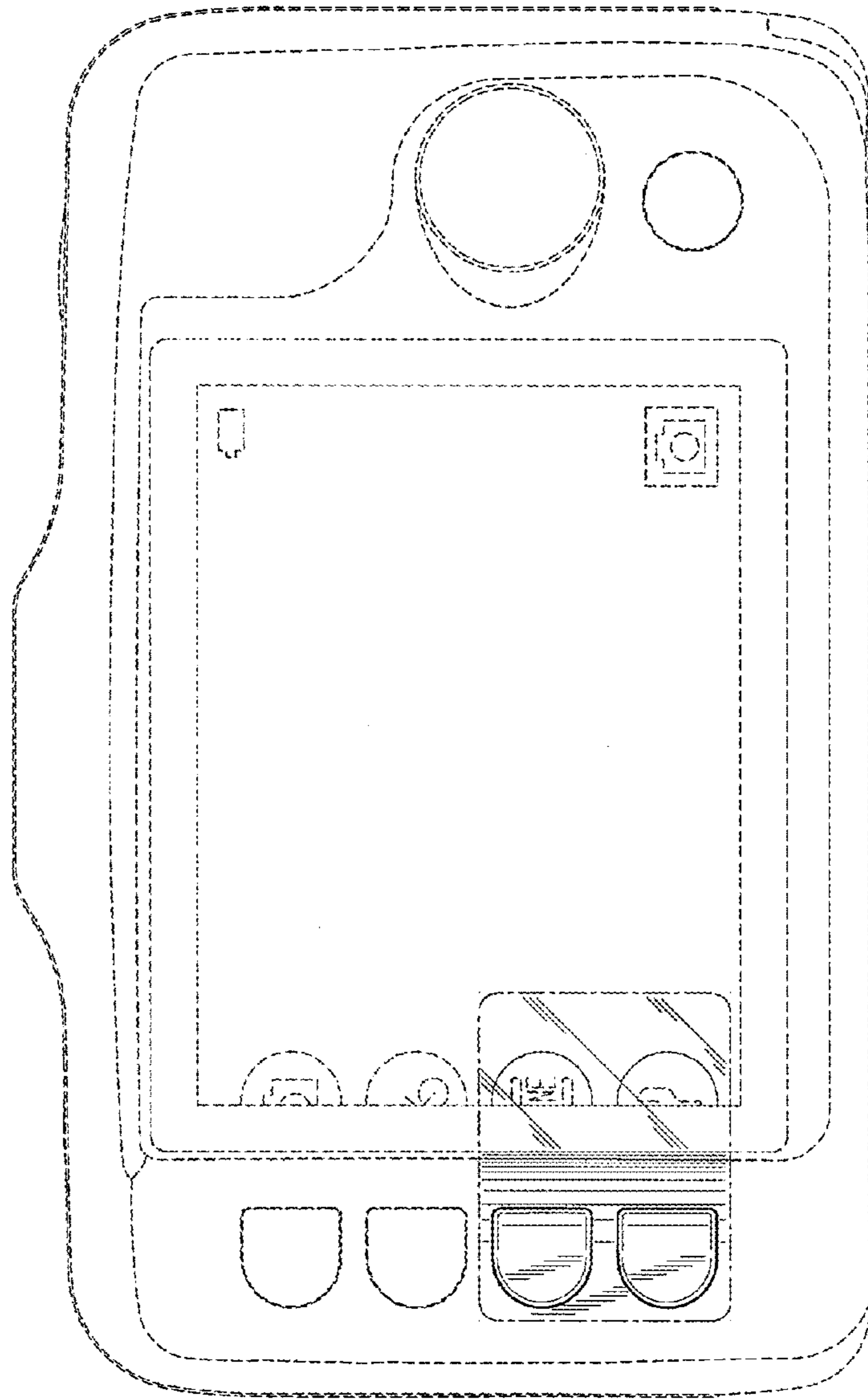
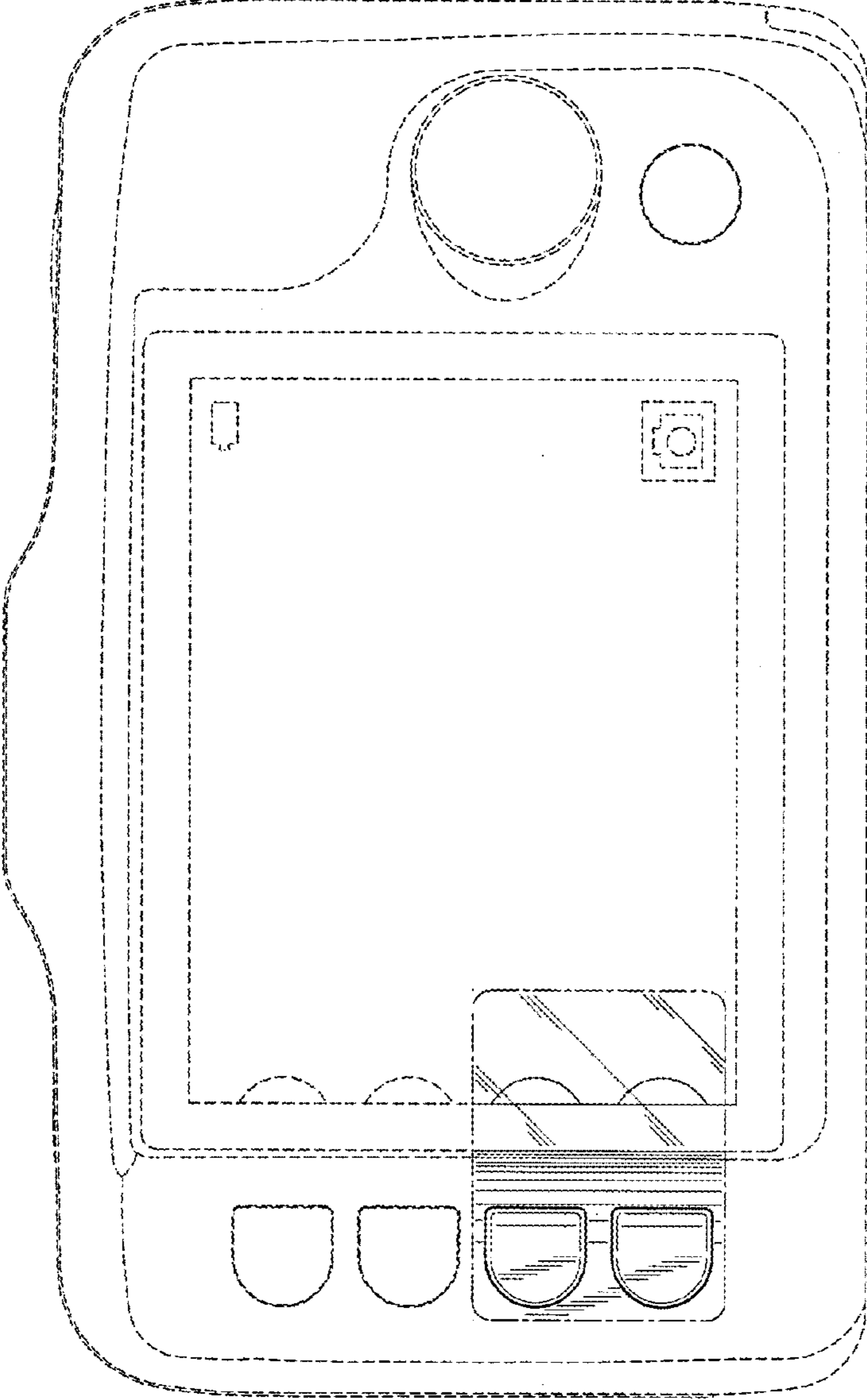




FIG. 7



*FIG. 8*

