



US00D751622S

(12) **United States Design Patent**  
**Mao et al.**

(10) **Patent No.:** **US D751,622 S**  
(45) **Date of Patent:** **\*\* Mar. 15, 2016**

(54) **CAMERA**

(71) Applicant: **FLIR Systems, Inc.**, Wilsonville, OR  
(US)

(72) Inventors: **Zhenmei Mao**, Shanghai (CN); **William B. Hasbrook**, Lake Oswego, OR (US)

(73) Assignee: **FLIR Systems, Inc.**, Wilsonville, OR  
(US)

(\*\*) Term: **14 Years**

(21) Appl. No.: **29/513,669**

(22) Filed: **Jan. 5, 2015**

(51) **LOC (10) Cl.** ..... **16-01**

(52) **U.S. Cl.**  
USPC ..... **D16/218**

(58) **Field of Classification Search**  
USPC ..... D16/200, 202–205, 208, 218, 219;  
348/14.01–14.06, 143, 148, 373–376;  
396/427, 535, 539–541  
CPC ..... G03B 17/02; G03B 19/04; G03B 17/56;  
G03B 17/04; G03B 15/03; H04N 5/2251;  
H04N 5/2252; H04N 5/2253; H04N 5/2254;  
H04N 2007/145; H04N 7/141; H04N 7/142;  
H04N 7/147; H04N 7/148; H04N 7/15;  
H04N 7/152

See application file for complete search history.

(56) **References Cited**

**U.S. PATENT DOCUMENTS**

D450,738 S \* 11/2001 Rak ..... D16/203  
7,093,811 B2 \* 8/2006 Wu ..... F16M 13/02  
248/229.12

D559,883 S \* 1/2008 Nakamura ..... D16/218  
D624,106 S \* 9/2010 Cho ..... D16/203  
D631,079 S \* 1/2011 Tzeng ..... D16/202  
D632,718 S \* 2/2011 Tzeng ..... D16/202  
D632,719 S \* 2/2011 Tsai ..... D16/202  
D639,839 S \* 6/2011 Kao ..... D16/202  
D665,439 S \* 8/2012 Khamsepoor ..... D16/202  
D674,427 S \* 1/2013 Khamsepoor ..... D16/202  
8,593,567 B2 \* 11/2013 Xiao ..... H04N 5/2251  
348/373  
D705,337 S \* 5/2014 Tani ..... D16/219  
D709,117 S \* 7/2014 Gan ..... D16/202

\* cited by examiner

*Primary Examiner* — Adir Aronovich

*Assistant Examiner* — Ramzi Almatrahi

(74) *Attorney, Agent, or Firm* — Haynes and Boone, LLP

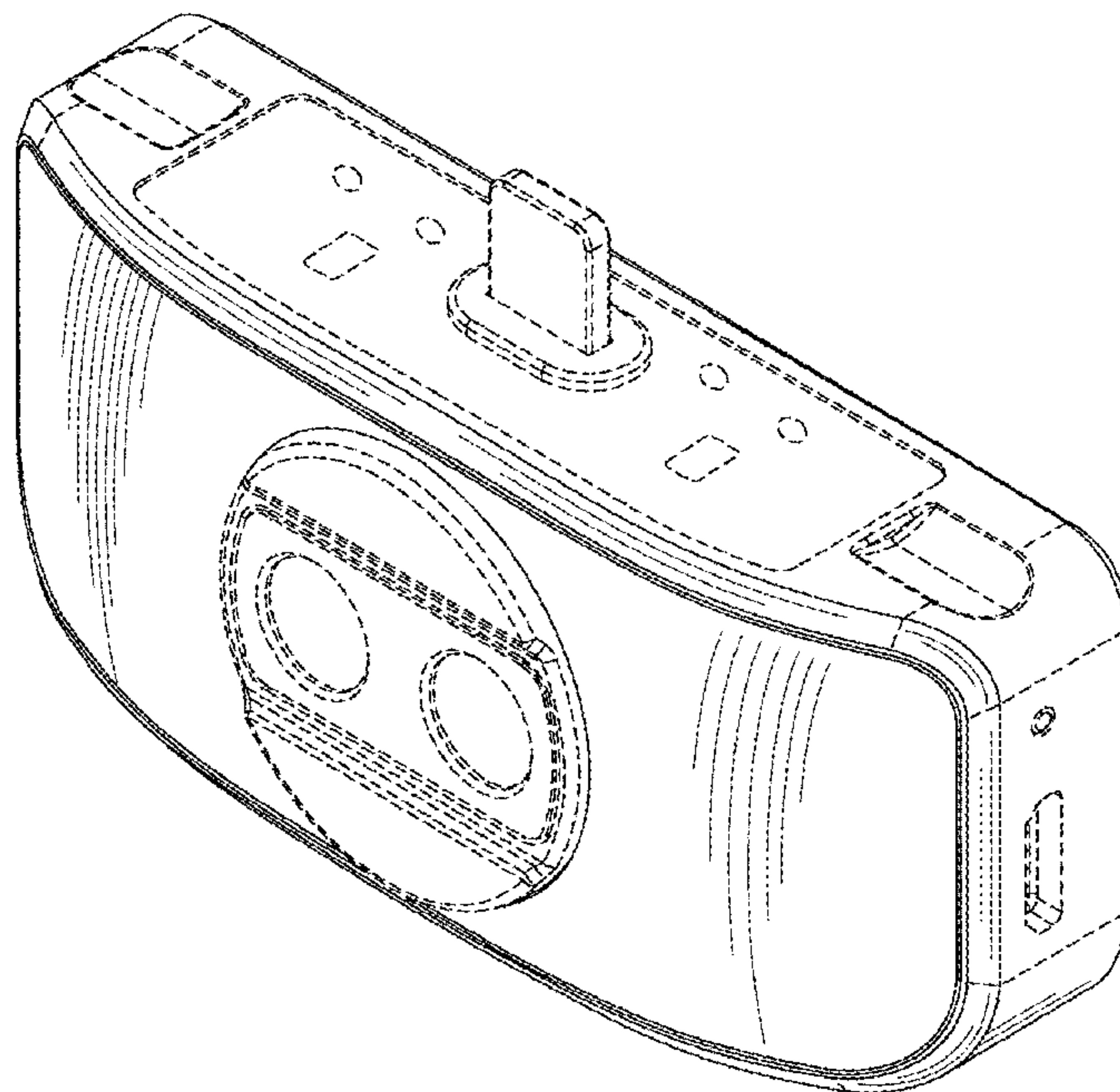
(57) **CLAIM**

The ornamental design for a camera, as shown and described.

**DESCRIPTION**

FIG. 1 is a top, front, and left side perspective view of a camera embodying the new design;  
FIG. 2 is a front elevational view thereof;  
FIG. 3 is a rear elevational view thereof;  
FIG. 4 is a top plan view thereof;  
FIG. 5 is a bottom plan view thereof;  
FIG. 6 is a right side elevational view thereof;  
FIG. 7 is a left side elevational view thereof; and,  
FIG. 8 is a front elevational view thereof, with a portion of the camera orientated in a vertical position.  
The broken lines depict portions of a camera in which the design is embodied and form no part of the claimed design.

**1 Claim, 7 Drawing Sheets**



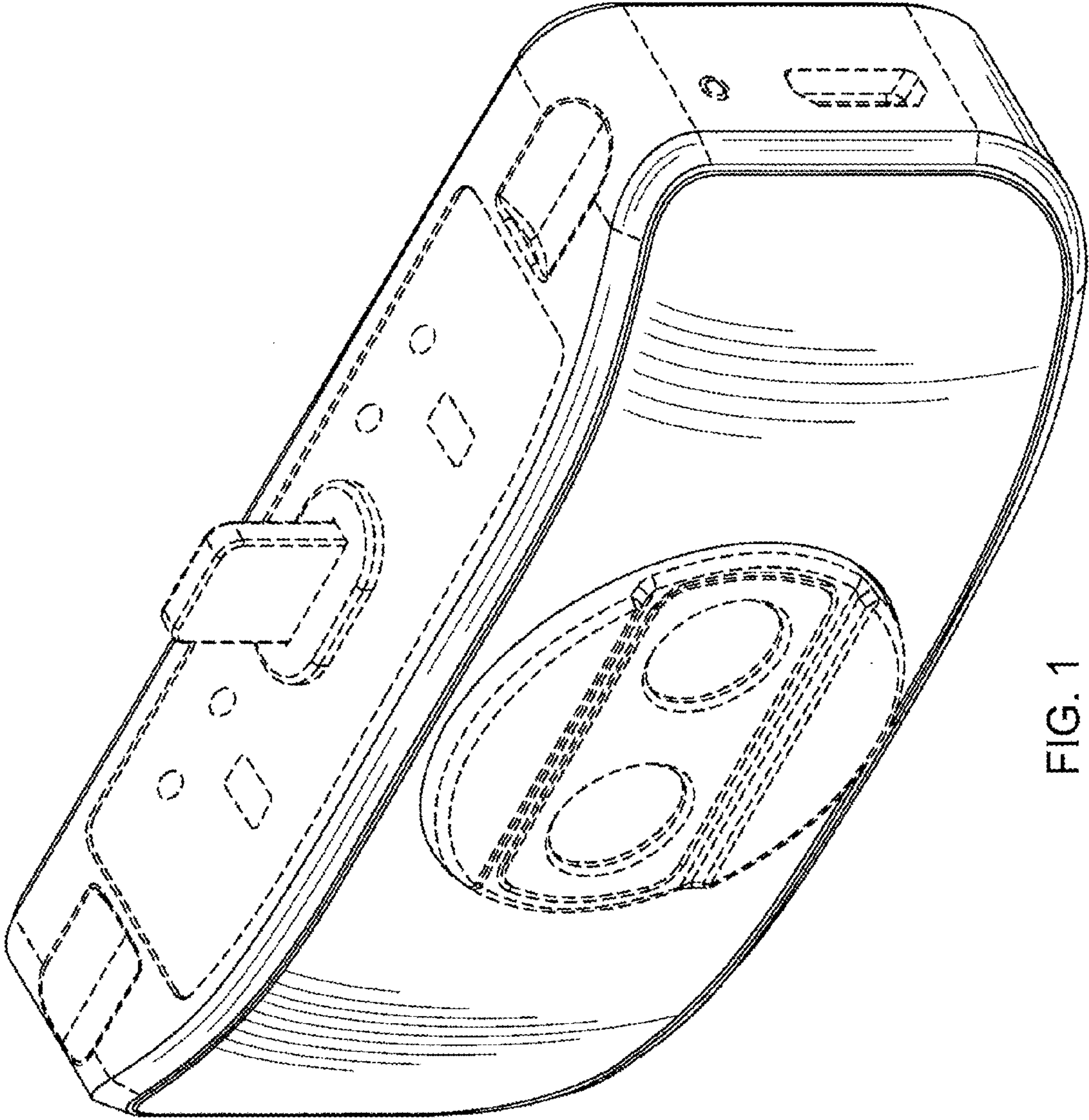


FIG. 1

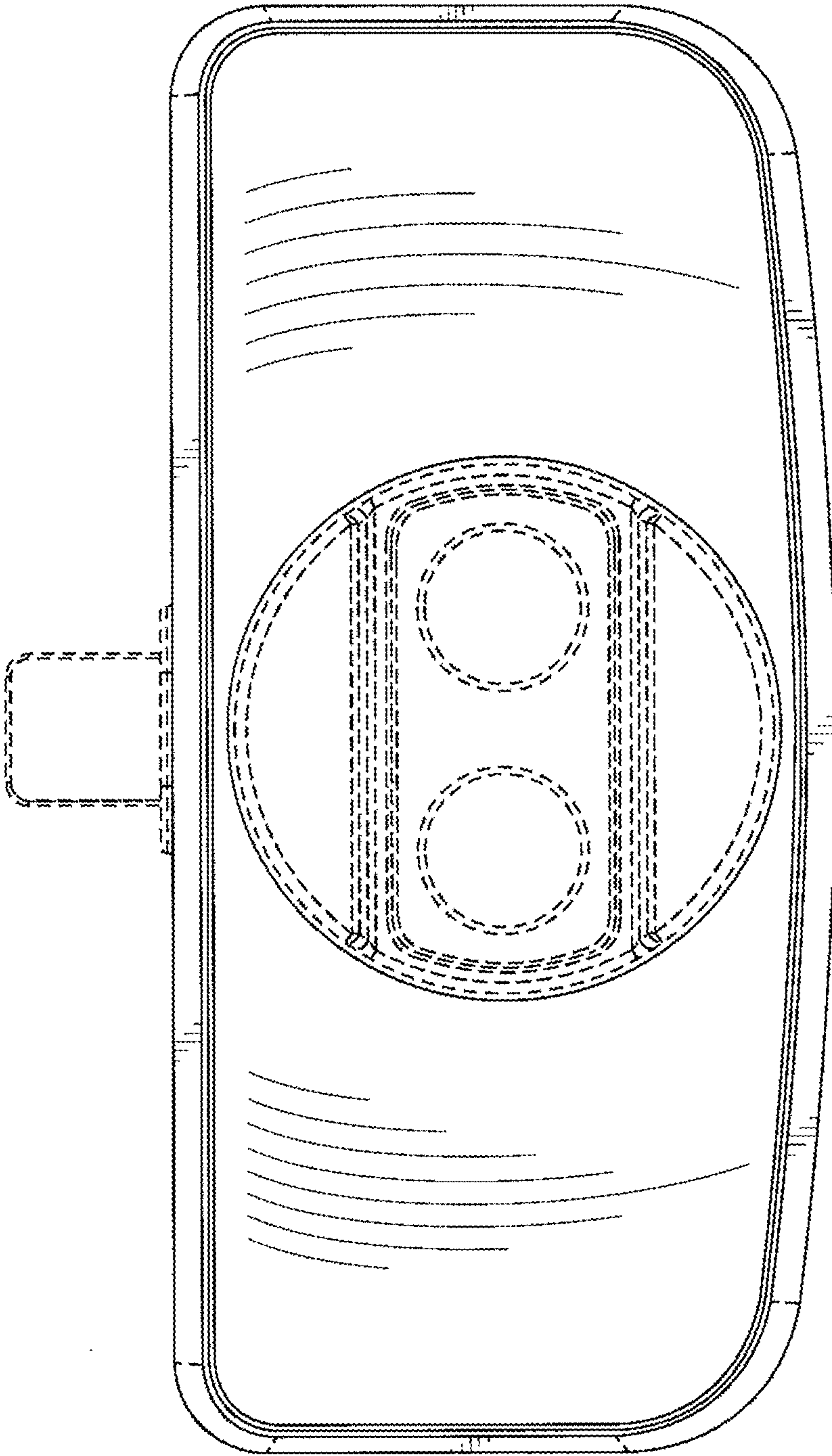


FIG. 2



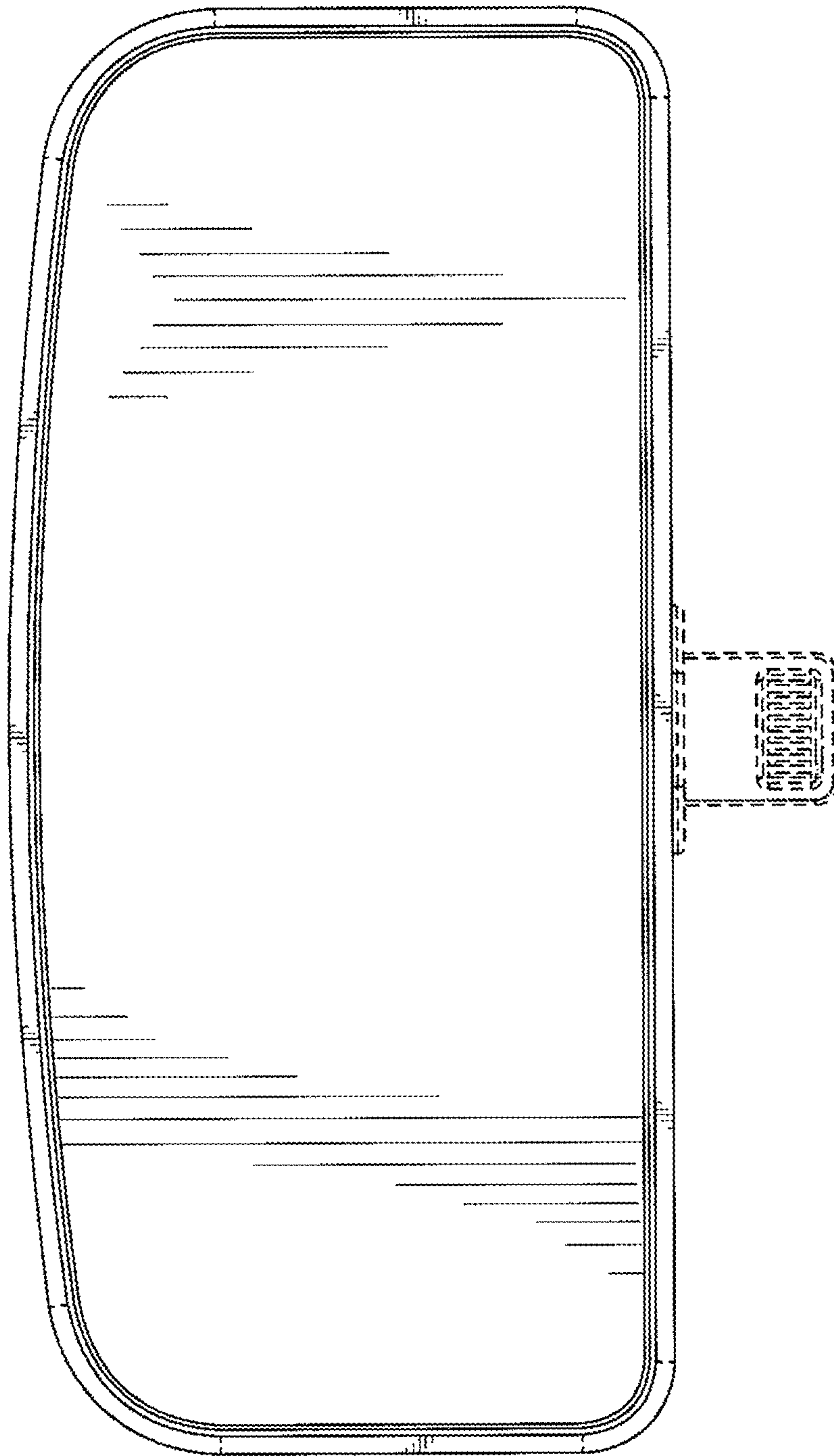


FIG. 3

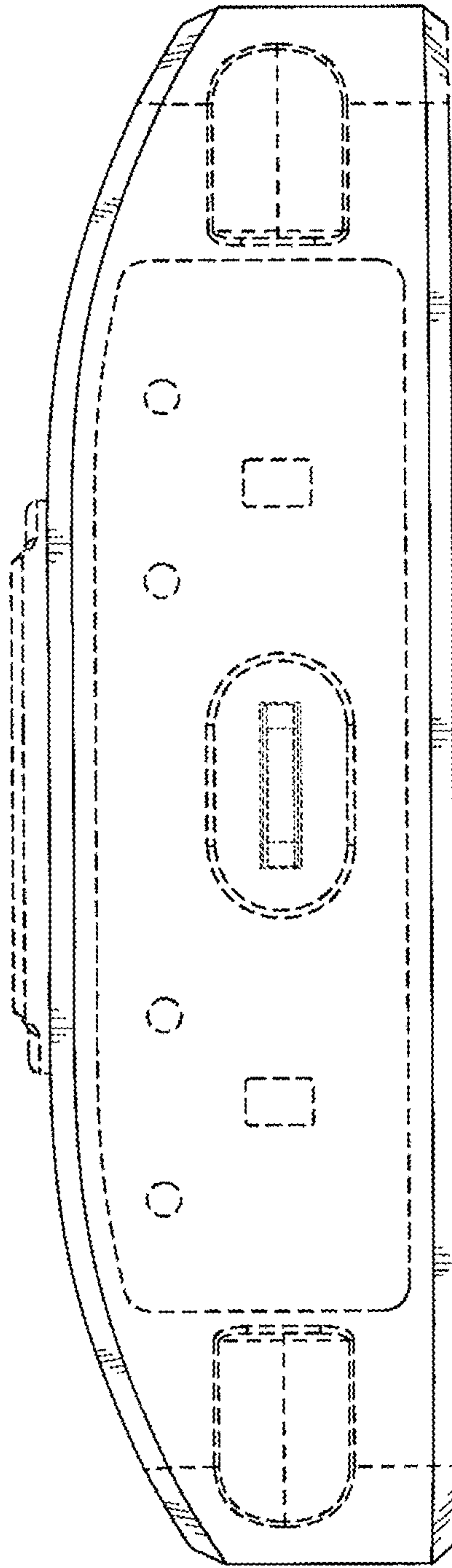


FIG. 4

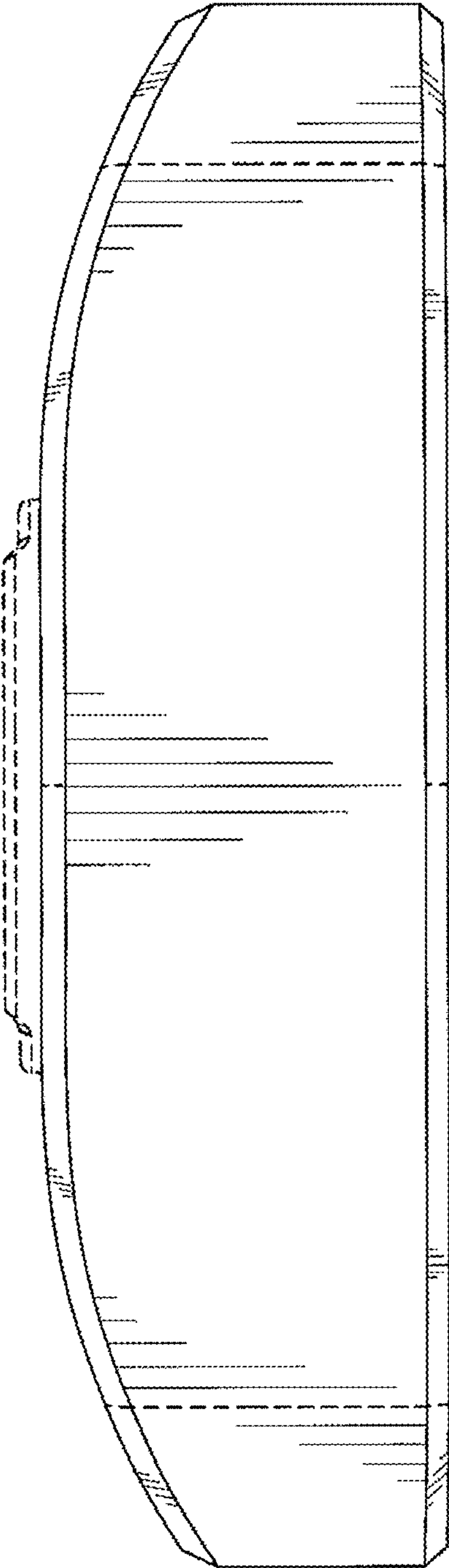


FIG. 5

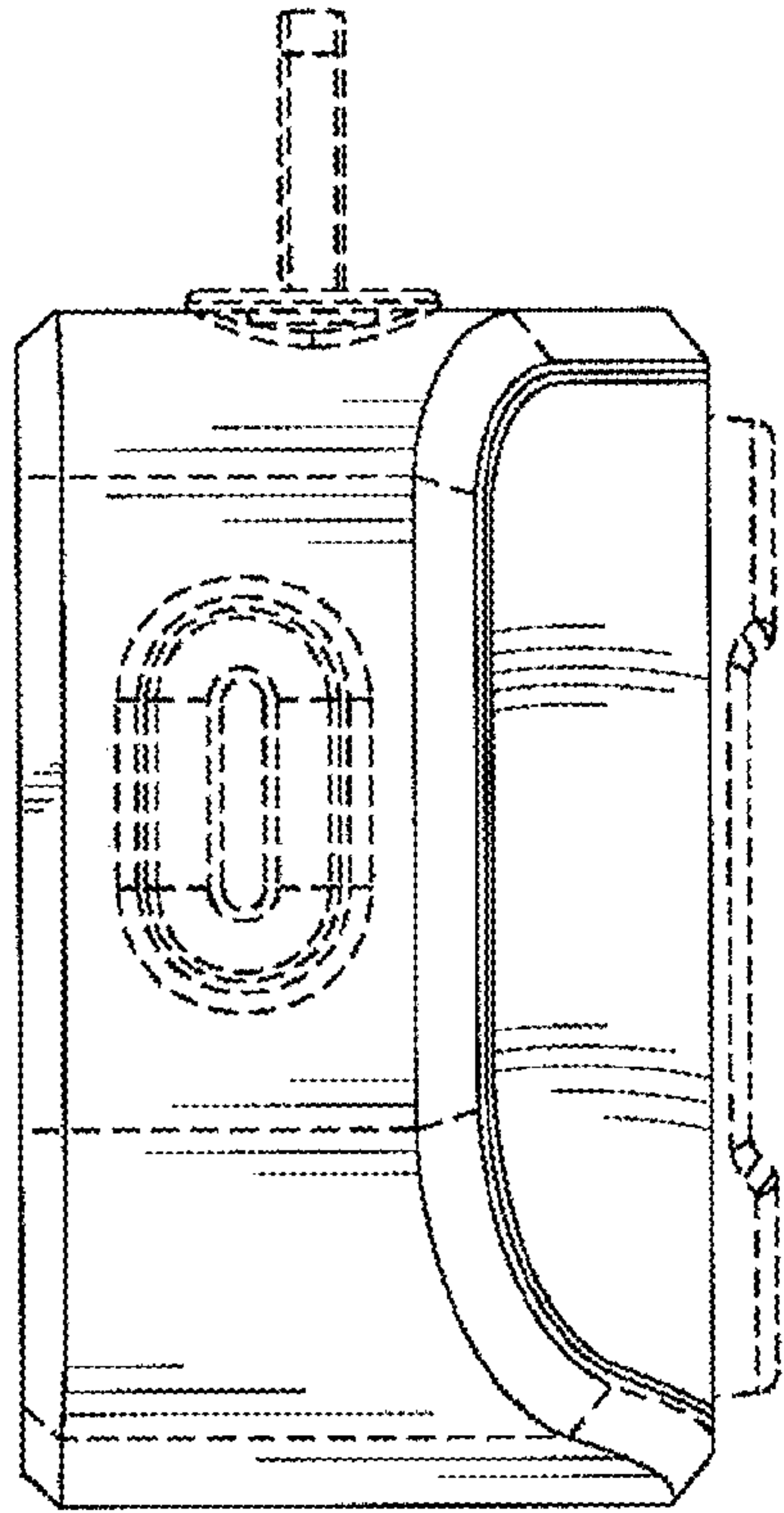


FIG. 6

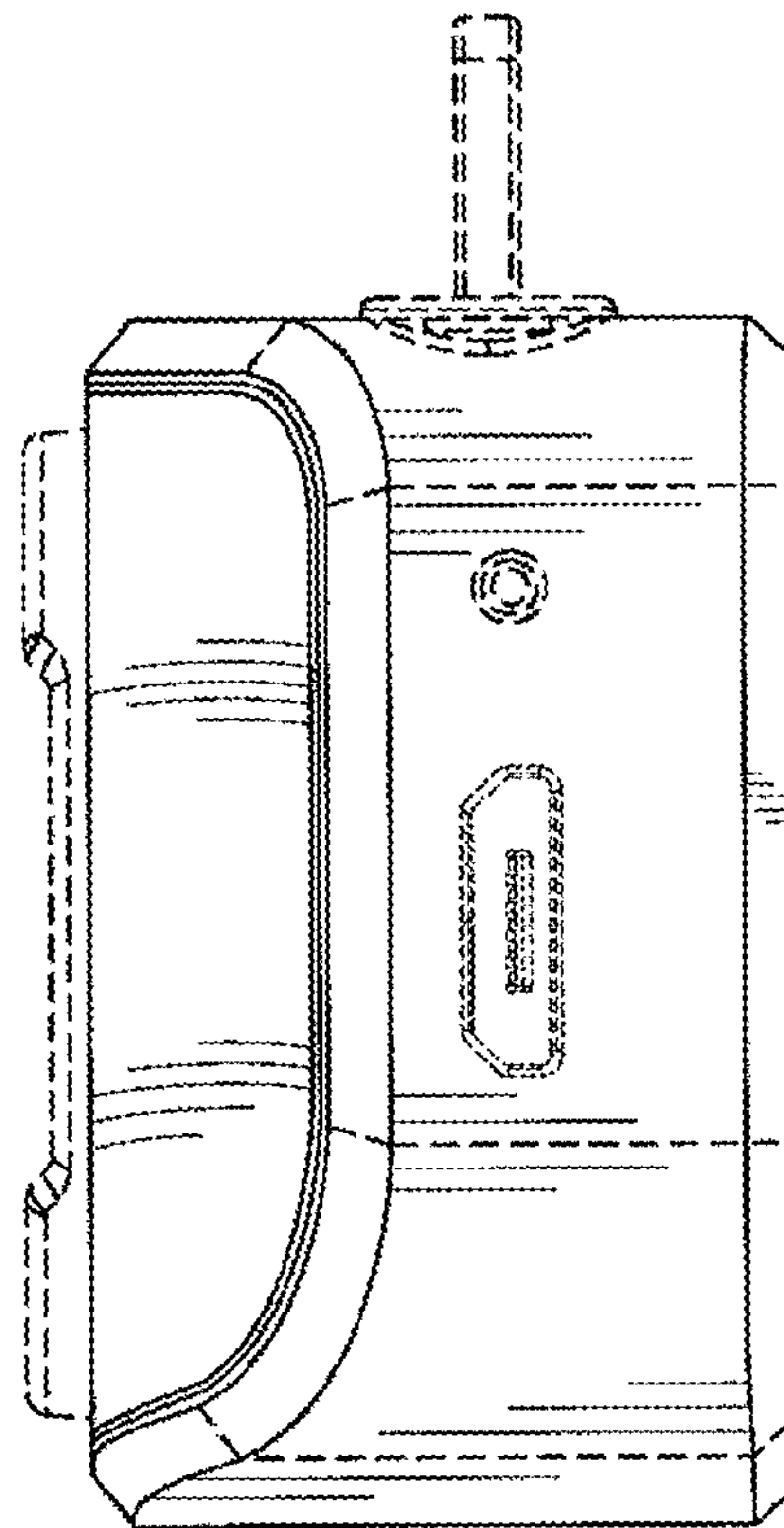


FIG. 7

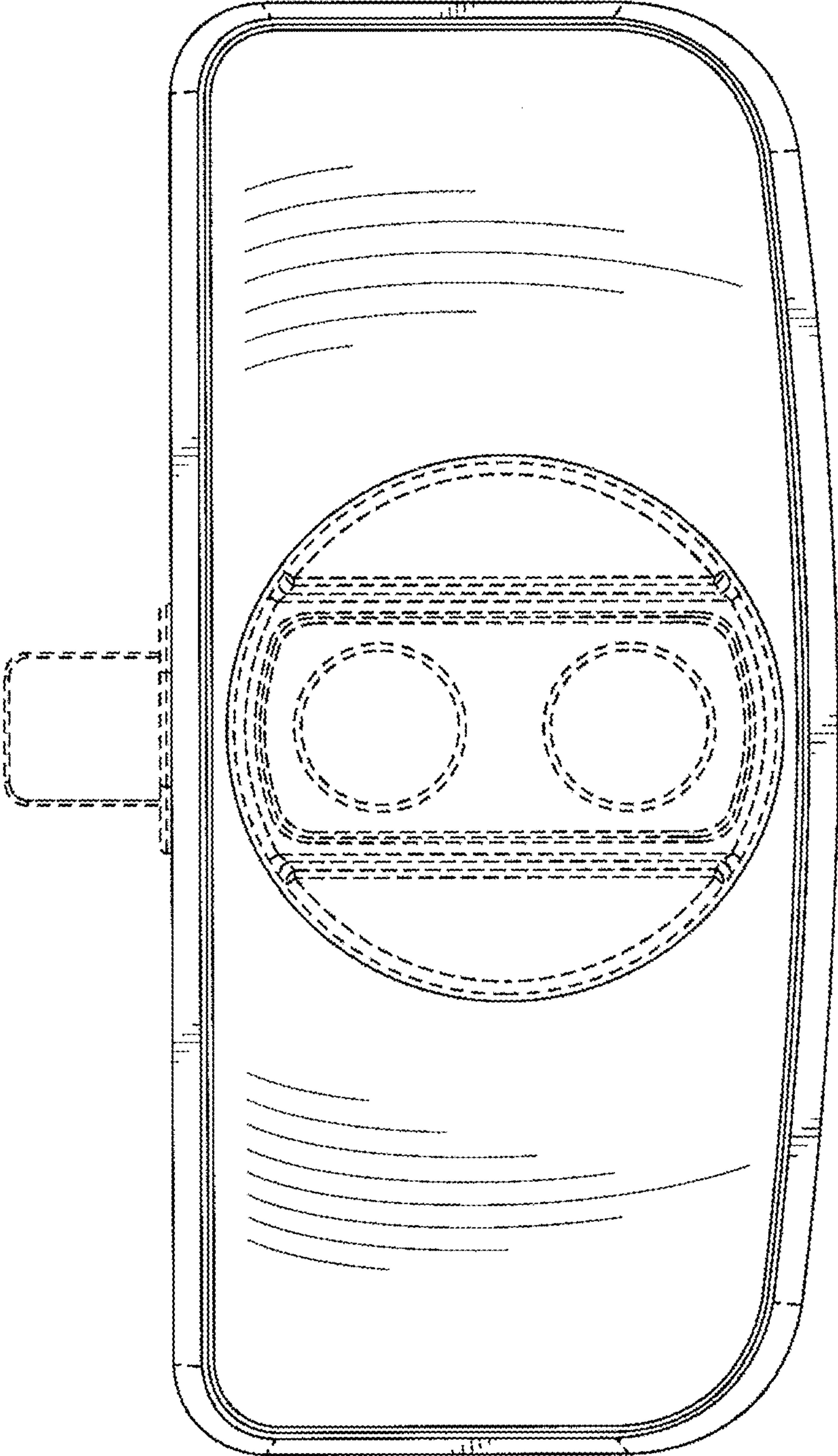


FIG. 8