



US00D751621S

(12) **United States Design Patent**  
**Katori**

(10) **Patent No.:** **US D751,621 S**  
(45) **Date of Patent:** **\*\* Mar. 15, 2016**

- (54) **SURVEILLANCE CAMERA**
- (71) Applicant: **Panasonic Intellectual Property Management Co., Ltd., Osaka (JP)**
- (72) Inventor: **Takehito Katori, Kyoto (JP)**
- (73) Assignee: **Panasonic Intellectual Property Management Co., Ltd., Osaka (JP)**
- (\*\*) Term: **14 Years**
- (21) Appl. No.: **29/510,621**
- (22) Filed: **Dec. 1, 2014**

D499,125 S	11/2004	Adachi et al.	
D639,842 S	6/2011	Zeinoun et al.	
D645,071 S *	9/2011	Hinkel .....	D16/203
D657,410 S	4/2012	Helaoui et al.	
D664,178 S *	7/2012	Hinkel .....	D16/203
D677,297 S	3/2013	Bart et al.	
D688,720 S	8/2013	Yilin	
D694,305 S	11/2013	Katori et al.	
D694,306 S	11/2013	Katori et al.	
D719,994 S *	12/2014	Wang .....	D16/203
D729,859 S *	5/2015	Shin .....	D16/203

\* cited by examiner

*Primary Examiner* — Adir Aronovich  
(74) *Attorney, Agent, or Firm* — Panasonic Patent Center

- (30) **Foreign Application Priority Data**  
Jun. 6, 2014 (JP) ..... 2014-012269
- (51) **LOC (10) Cl.** ..... **16-01**
- (52) **U.S. Cl.**  
USPC ..... **D16/203**
- (58) **Field of Classification Search**  
USPC ..... D16/200, 202, 203, 218, 219; 348/143,  
348/151, 373-376; 396/427, 535-541  
CPC ..... H04N 5/2252  
See application file for complete search history.

(57) **CLAIM**  
I claim the ornamental design for a surveillance camera, as shown and described.

- (56) **References Cited**  
U.S. PATENT DOCUMENTS  
D225,379 S \* 12/1972 Gallagher ..... D10/106.5  
D416,273 S 11/1999 Yamakawa et al.  
D426,250 S 6/2000 Lefkowitz  
D452,696 S 1/2002 Fenton

**DESCRIPTION**  
FIG. 1 is a front perspective view of a surveillance camera of the present invention;  
FIG. 2 is a front elevational view thereof;  
FIG. 3 is a rear elevational view thereof;  
FIG. 4 is a left side elevational view thereof;  
FIG. 5 is a right side elevational view thereof;  
FIG. 6 is a top plan view thereof; and,  
FIG. 7 is a bottom plan view thereof.  
The broken lines depict the portions of a surveillance camera in which the design is embodied and form no part of the claimed design.

**1 Claim, 7 Drawing Sheets**

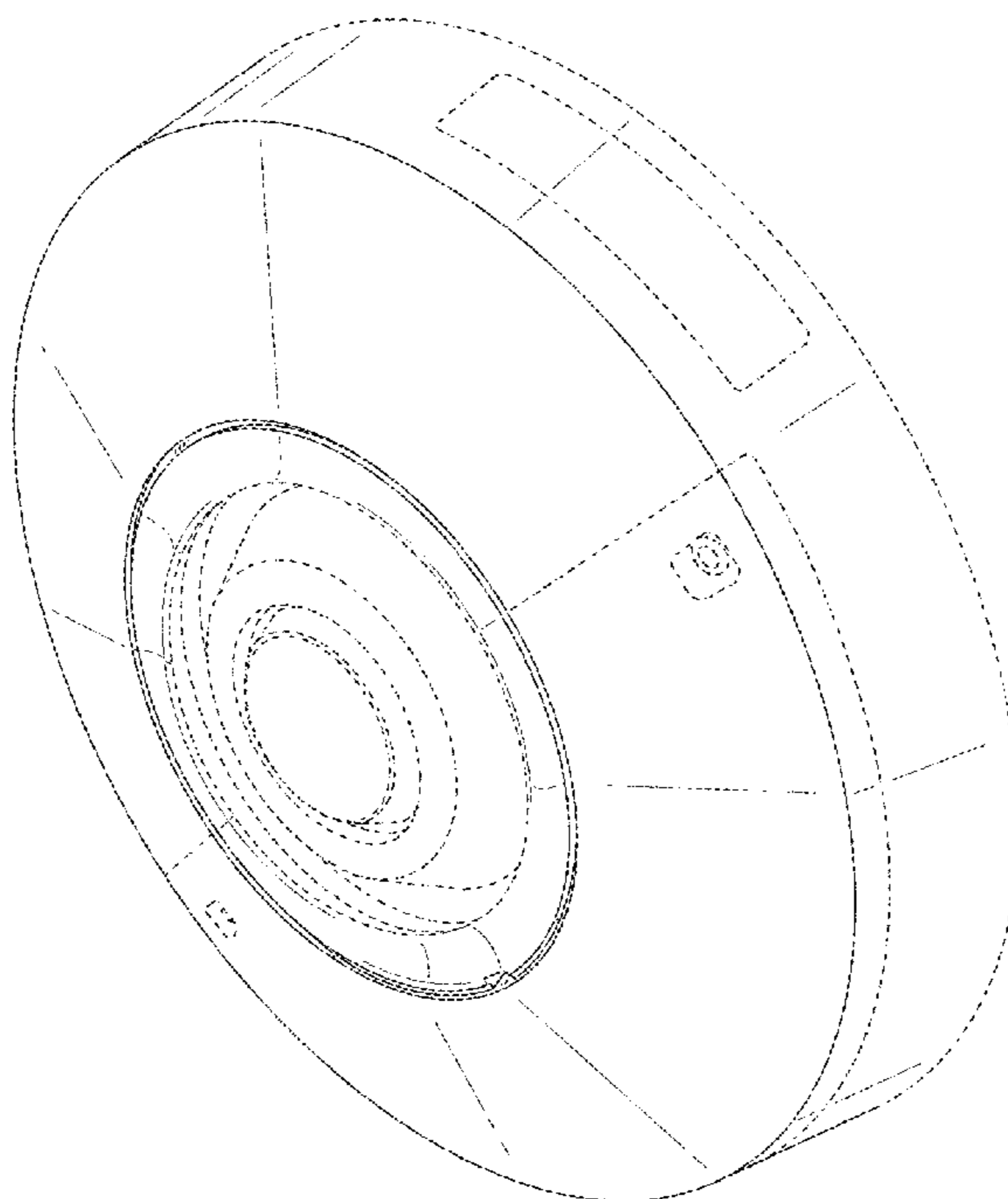


FIG. 1

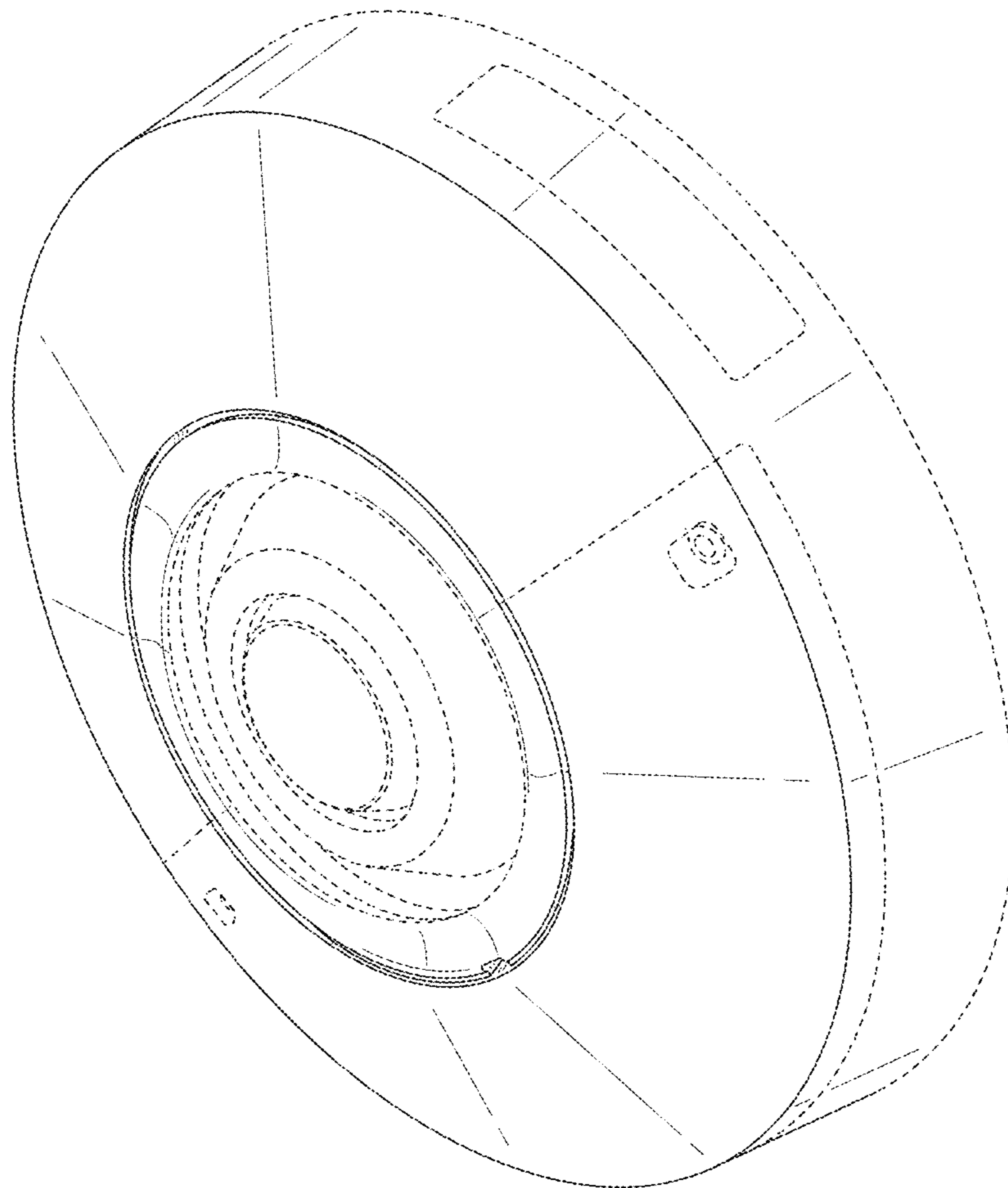


FIG. 2

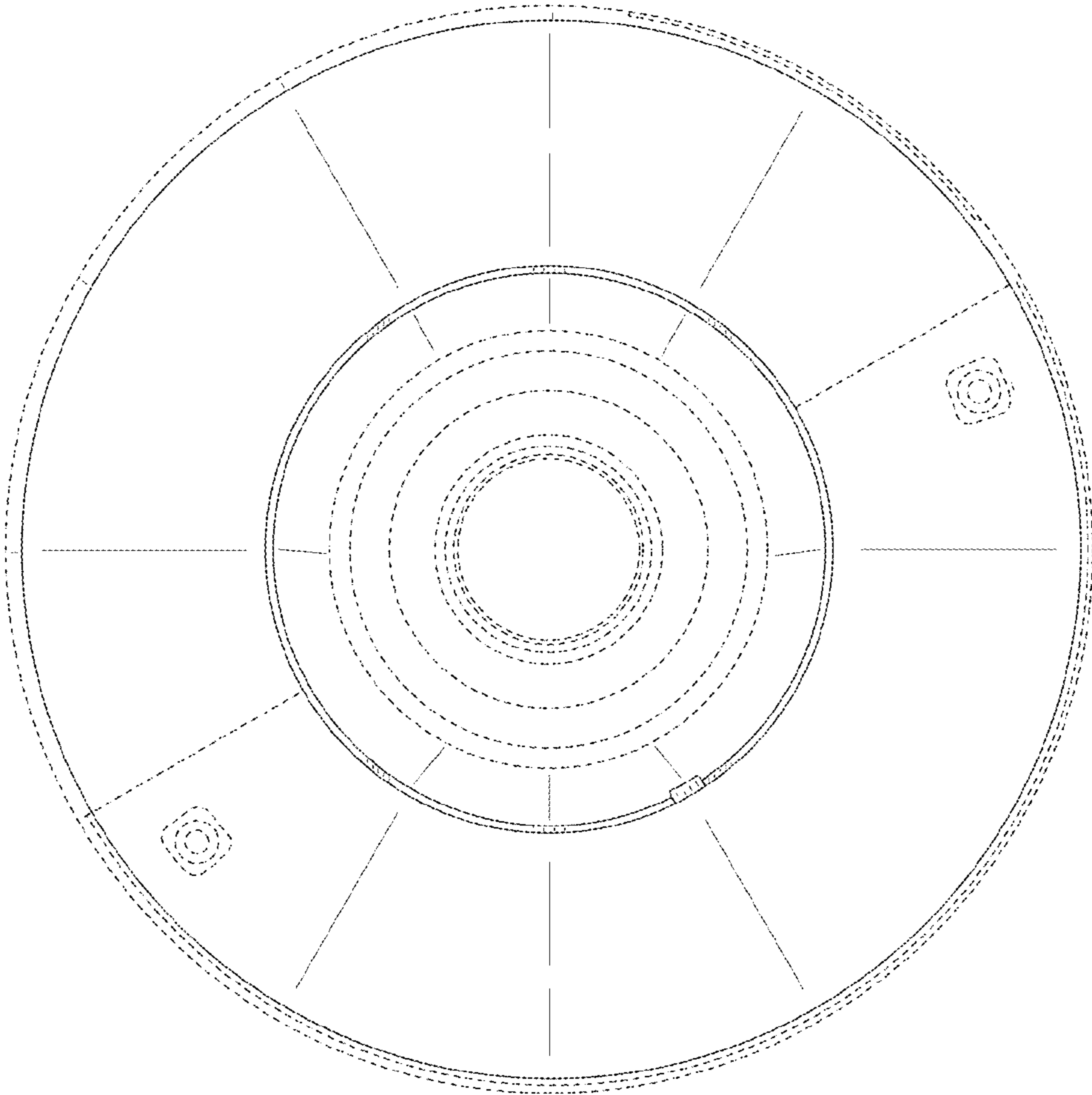


FIG. 3

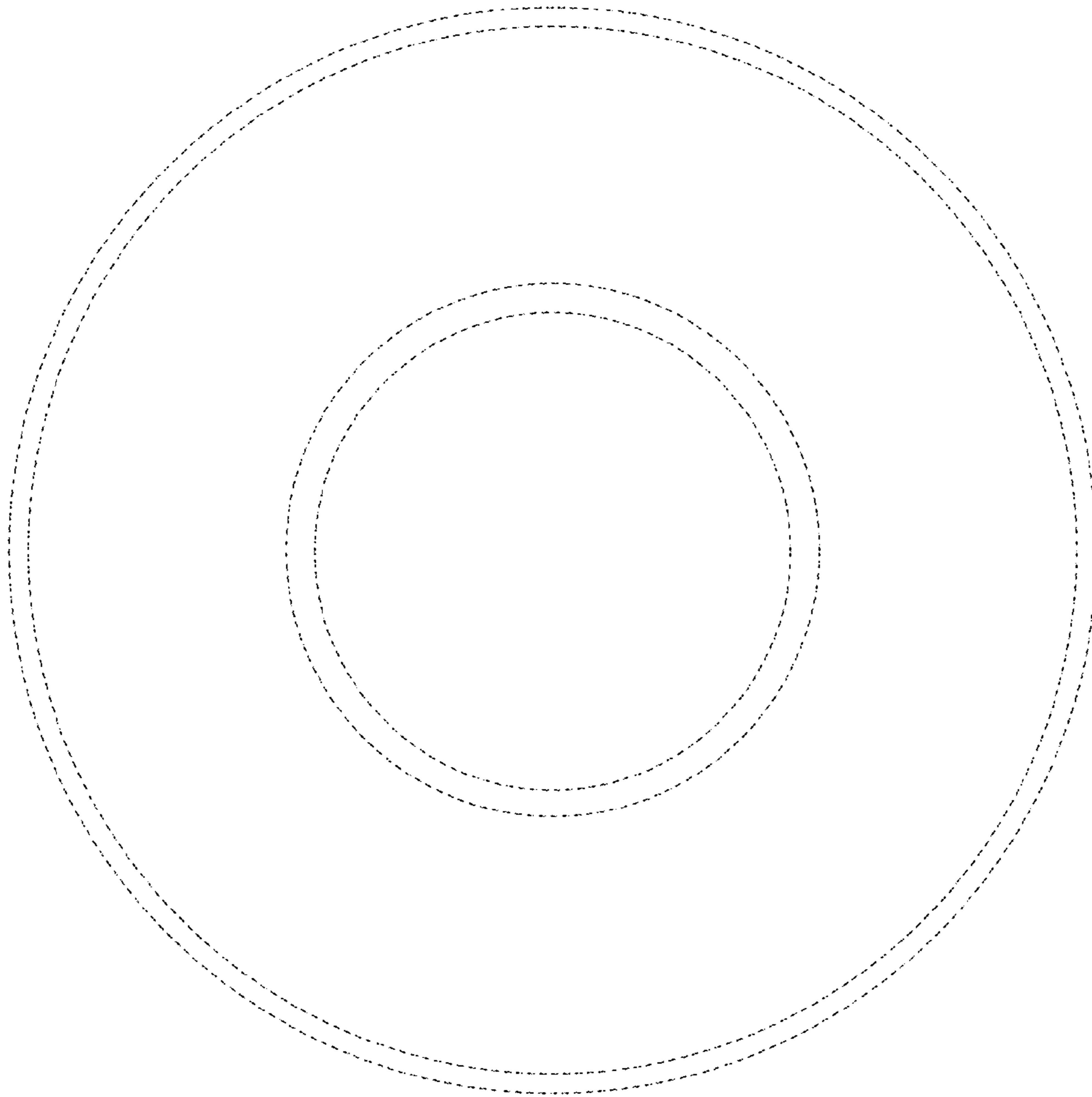


FIG. 4

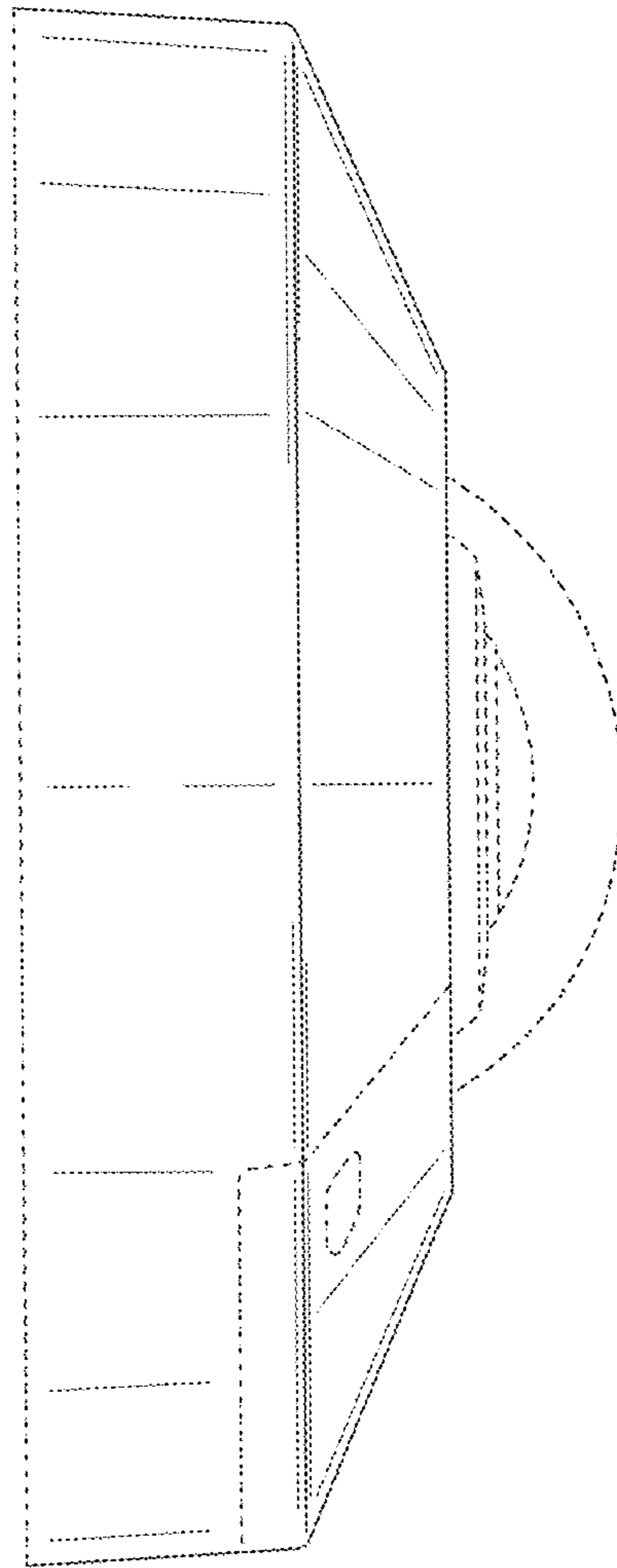


FIG. 5

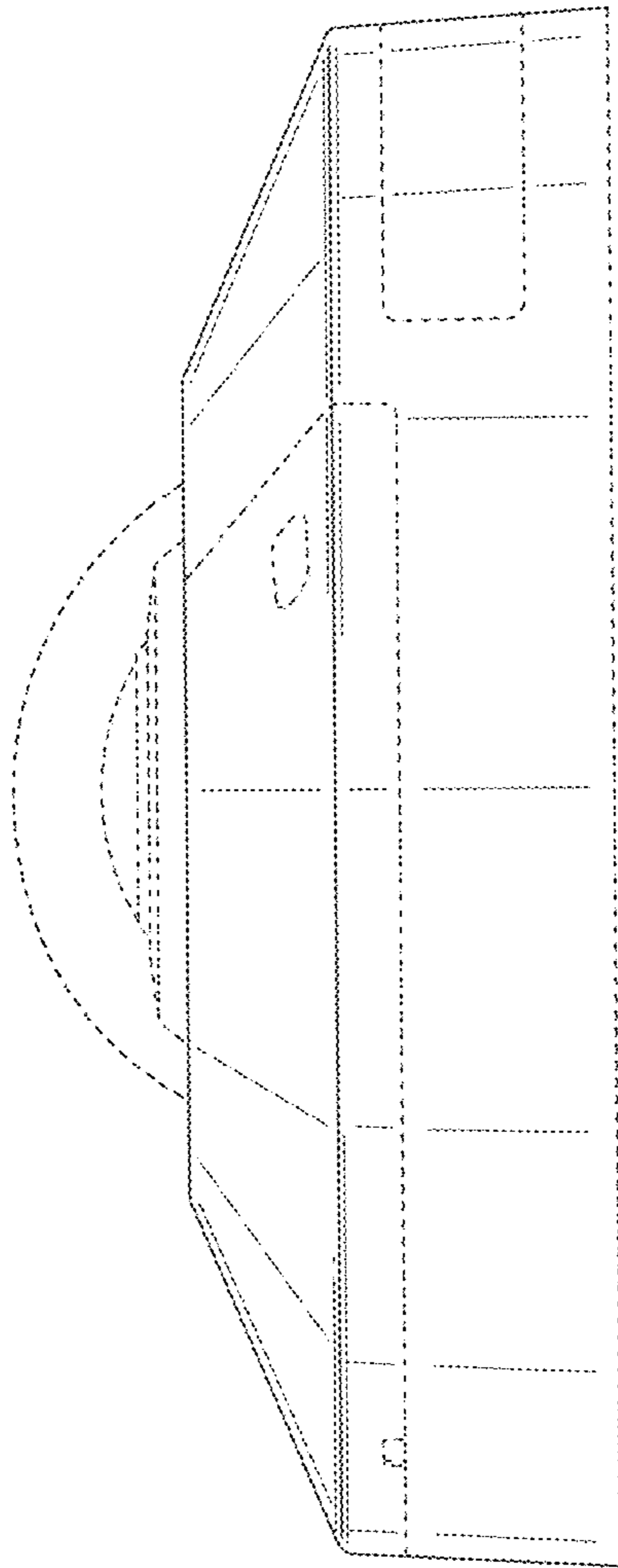


FIG. 6

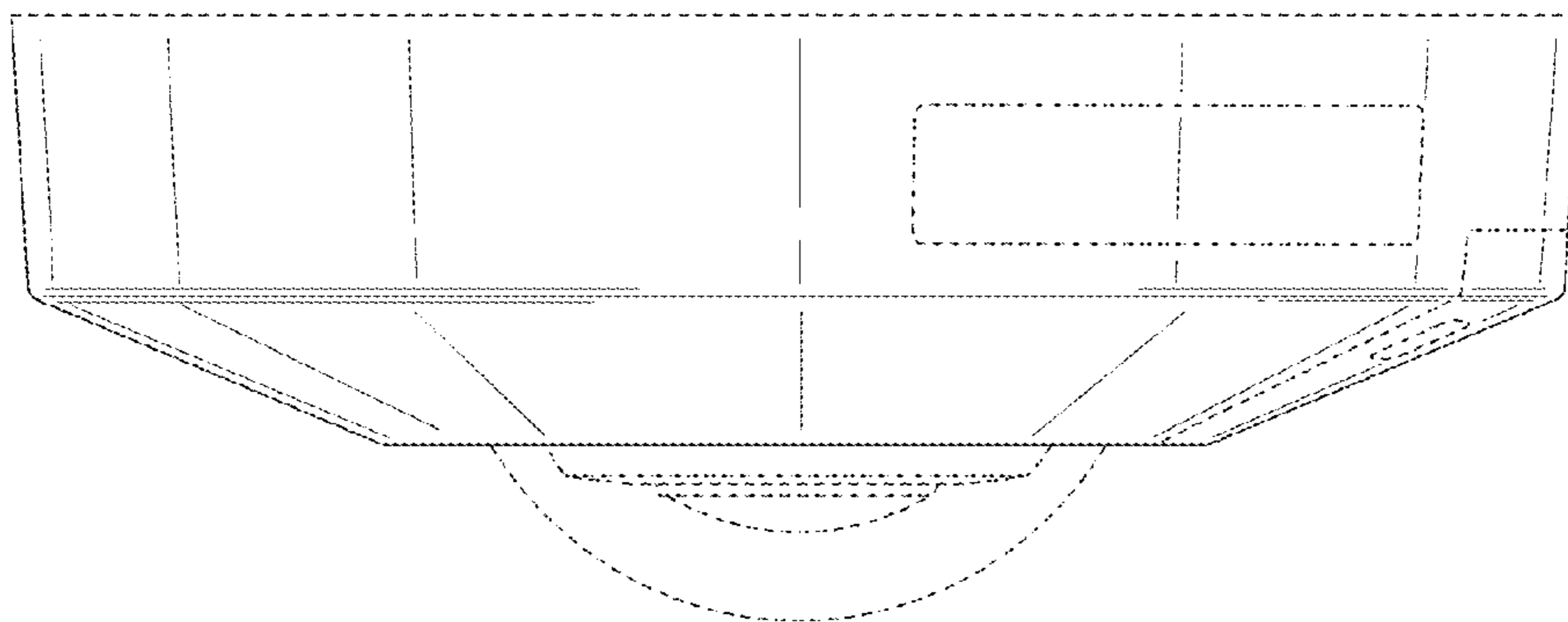


FIG. 7

