



US00D751618S

(12) **United States Design Patent**
Hinkel

(10) **Patent No.:** **US D751,618 S**
(45) **Date of Patent:** **** Mar. 15, 2016**

(54) **CAMERA AND HOUSING**

(71) Applicant: **Ralf Hinkel**, Horingen (DE)

(72) Inventor: **Ralf Hinkel**, Horingen (DE)

(73) Assignee: **Mobotix AG** (DE)

(**) Term: **14 Years**

(21) Appl. No.: **29/440,413**

(22) Filed: **Dec. 21, 2012**

(30) **Foreign Application Priority Data**

Jun. 22, 2012 (DE) 40 2012 002 929
Jun. 22, 2012 (DE) 40 2012 002 930
Sep. 21, 2012 (DE) 40 2012 004 445

(51) **LOC (10) Cl.** **16-01**

(52) **U.S. Cl.**
USPC **D16/203**

(58) **Field of Classification Search**
USPC D16/200, 202–204, 207, 208, 210, 218,
D16/219, 222; D12/400; 340/937; 348/143,
348/148, 151, 360, 373–376; 396/427, 429,
396/529, 535, 539–541
CPC G03B 15/03; G03B 17/02; G03B 17/04;
G03B 17/48; G03B 17/56; G03B 19/04;
G08G 1/0175; H04N 5/2251; H04N 5/2252;
H04N 5/2253; H04N 5/2254; H04N 2101/00;
B60R 1/00

See application file for complete search history.

(56) **References Cited**

U.S. PATENT DOCUMENTS

D394,274 S * 5/1998 Suzuki D16/202
D470,520 S * 2/2003 Yamakawa D16/203
D523,886 S * 6/2006 Wen et al. D16/202
D526,674 S * 8/2006 Byun et al. D16/202
D592,231 S * 5/2009 Schnell D16/202
D633,122 S * 2/2011 Booker et al. D16/218
D666,660 S * 9/2012 Amit D16/203
D680,142 S * 4/2013 Weiss D16/200

D686,267 S * 7/2013 Mihara D16/202
D690,346 S * 9/2013 Woolley D16/200
D694,797 S * 12/2013 Parker D16/202
D696,329 S * 12/2013 Horiki D16/203

* cited by examiner

Primary Examiner — Adir Aronovich

Assistant Examiner — Ramzi Almatrahi

(74) *Attorney, Agent, or Firm* — Salter & Michaelson

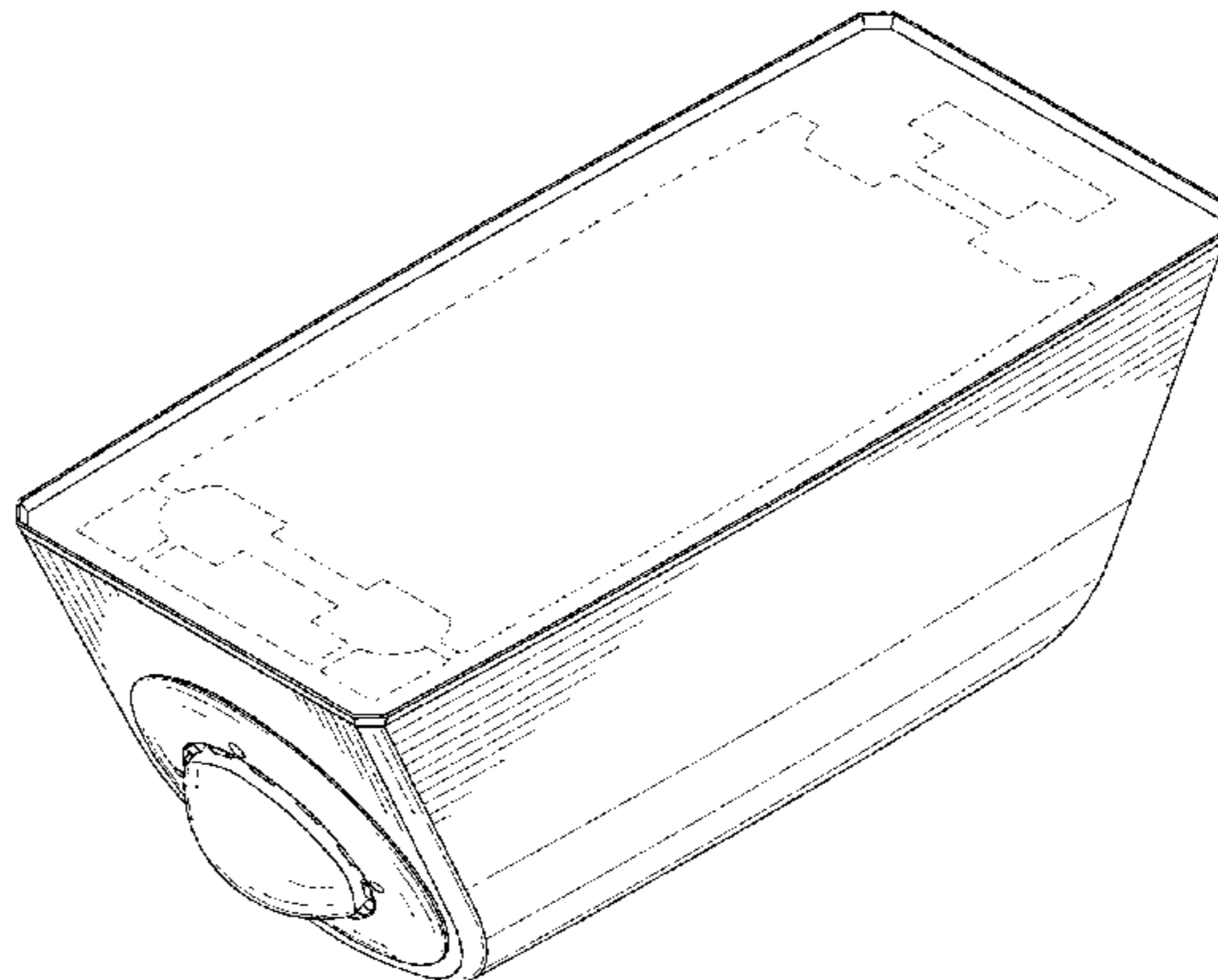
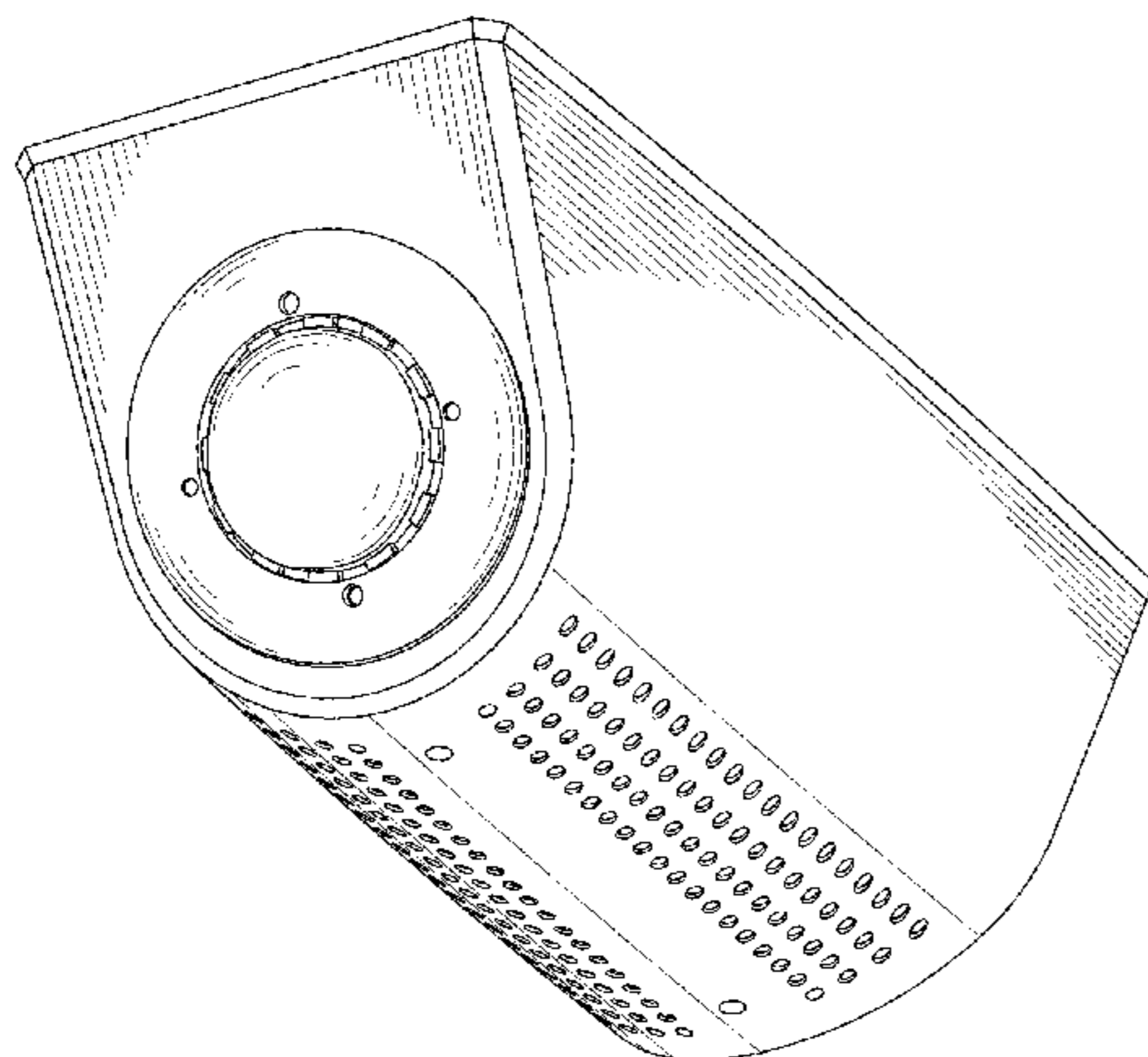
(57) **CLAIM**

The ornamental design for a camera and housing, as shown and described.

DESCRIPTION

FIG. 1 is a front elevational view of a first embodiment of a camera and housing;
FIG. 2 is a rear elevational view thereof;
FIG. 3 is a left side elevational view thereof;
FIG. 4 is a right side elevational view thereof;
FIG. 5 is a top plan view thereof;
FIG. 6 is a bottom plan view thereof;
FIG. 7 is a front elevational view of a second embodiment of a camera and housing;
FIG. 8 is a rear elevational view thereof;
FIG. 9 is a left side elevational view thereof;
FIG. 10 is a right side elevational view thereof;
FIG. 11 is a top plan view thereof;
FIG. 12 is a bottom plan view thereof;
FIG. 13 is a front elevational view of a third embodiment of a camera and housing;
FIG. 14 is a rear elevational view thereof;
FIG. 15 is a left side elevational view thereof;
FIG. 16 is a right side elevational view thereof;
FIG. 17 is a top plan view thereof;
FIG. 18 is a bottom plan view thereof;
FIG. 19 is a bottom isometric view thereof; and,
FIG. 20 is a top isometric view thereof.
The broken lines depict portions of a camera and housing in which the design is embodied and form no part of the claimed design.

1 Claim, 20 Drawing Sheets



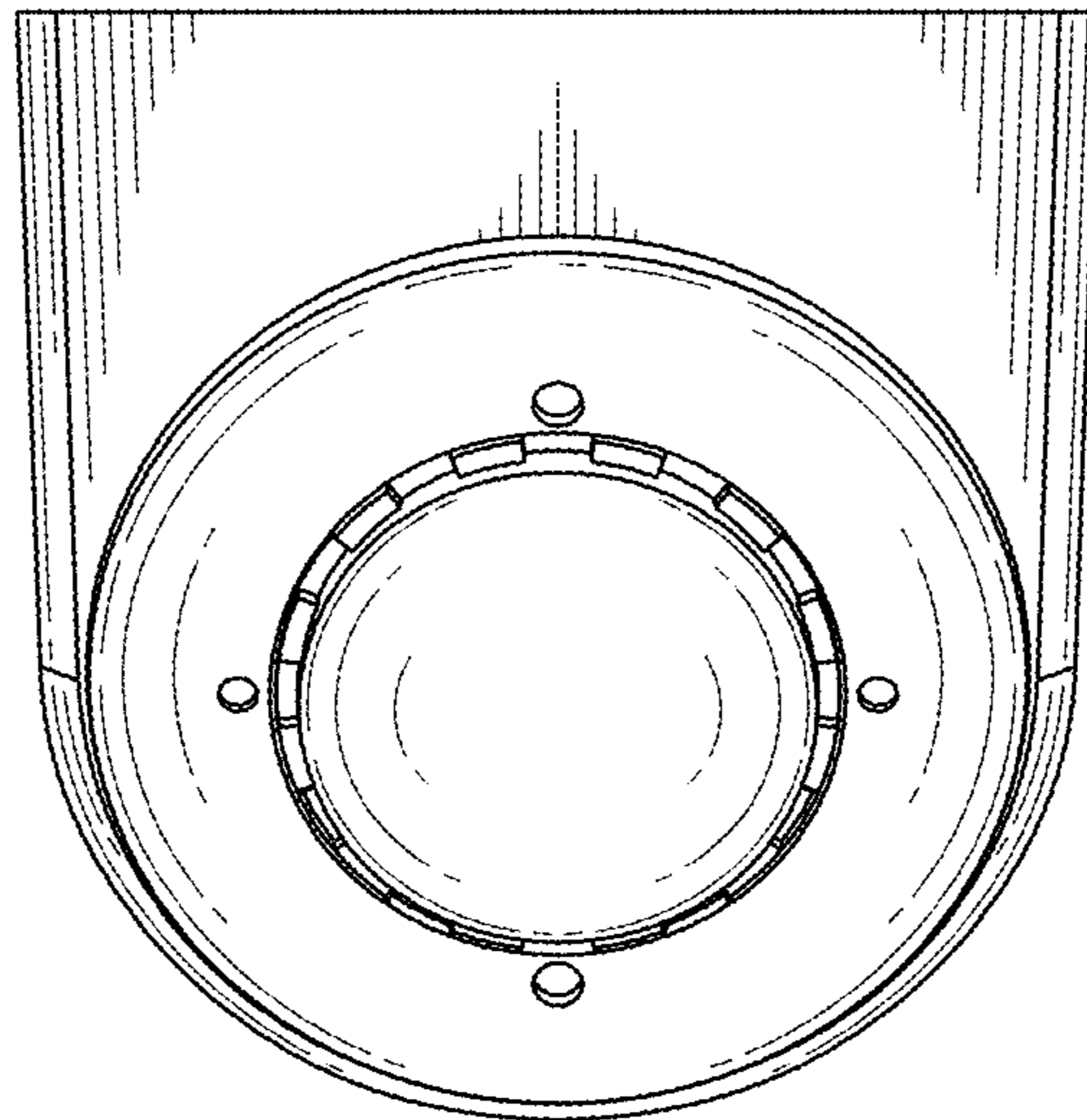


FIG. 1

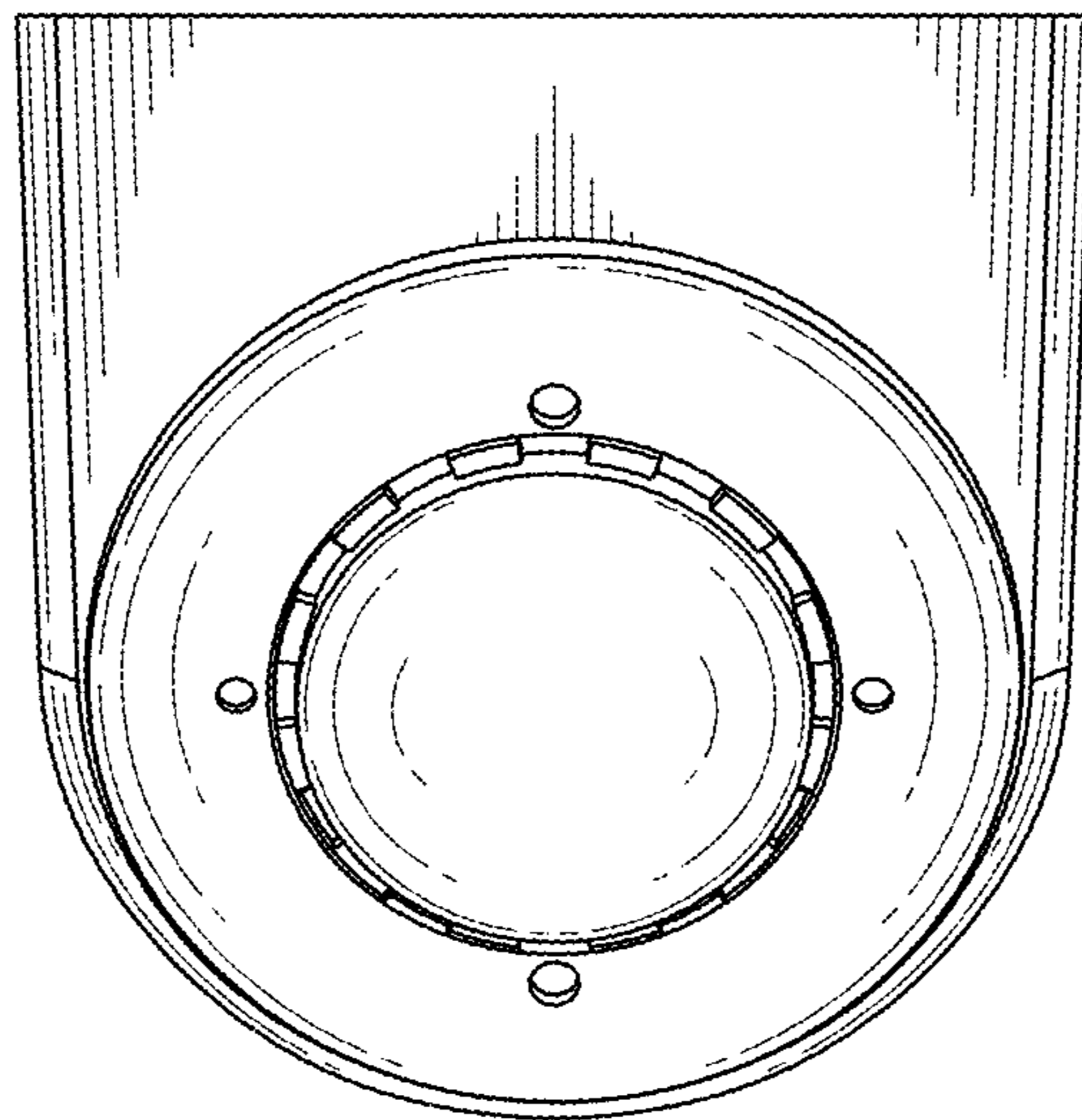


FIG. 2

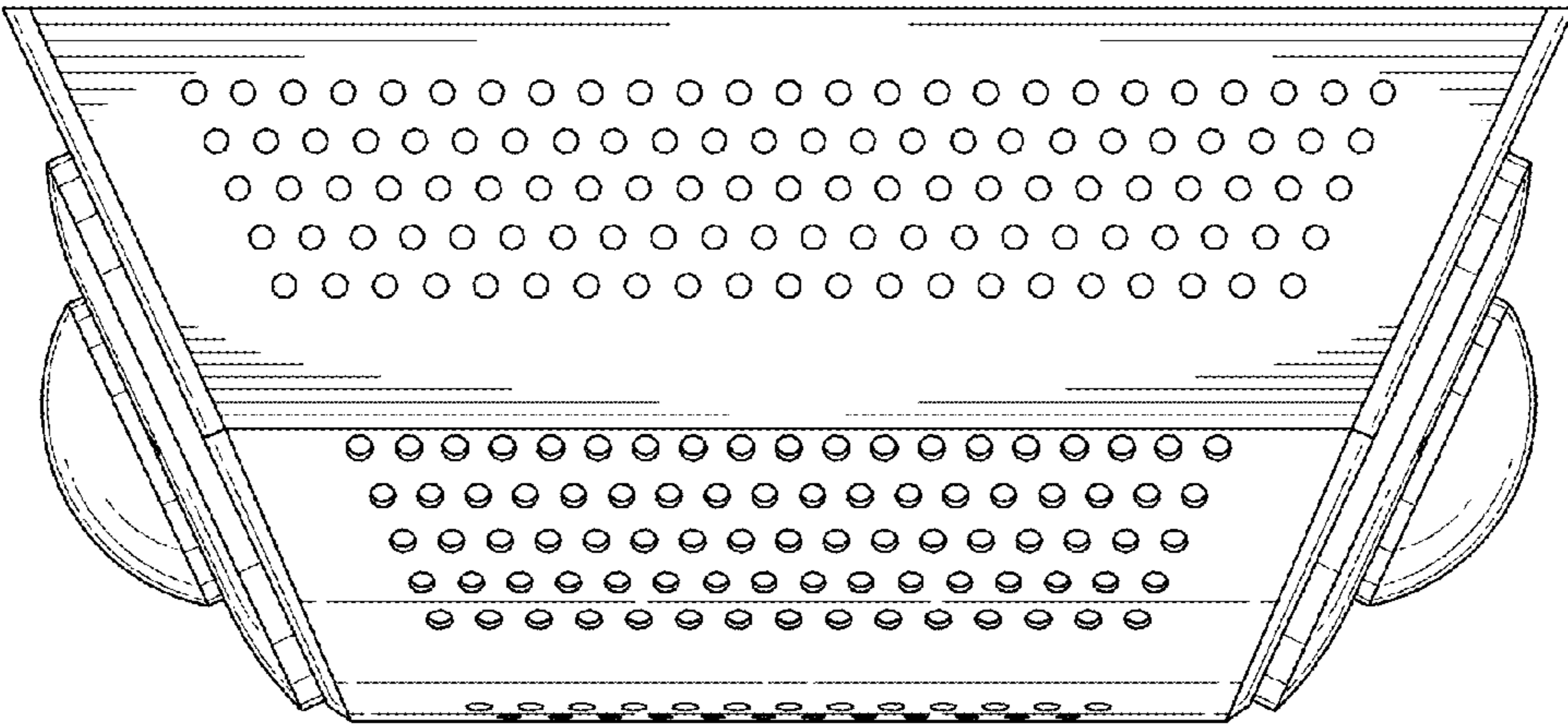


FIG. 3

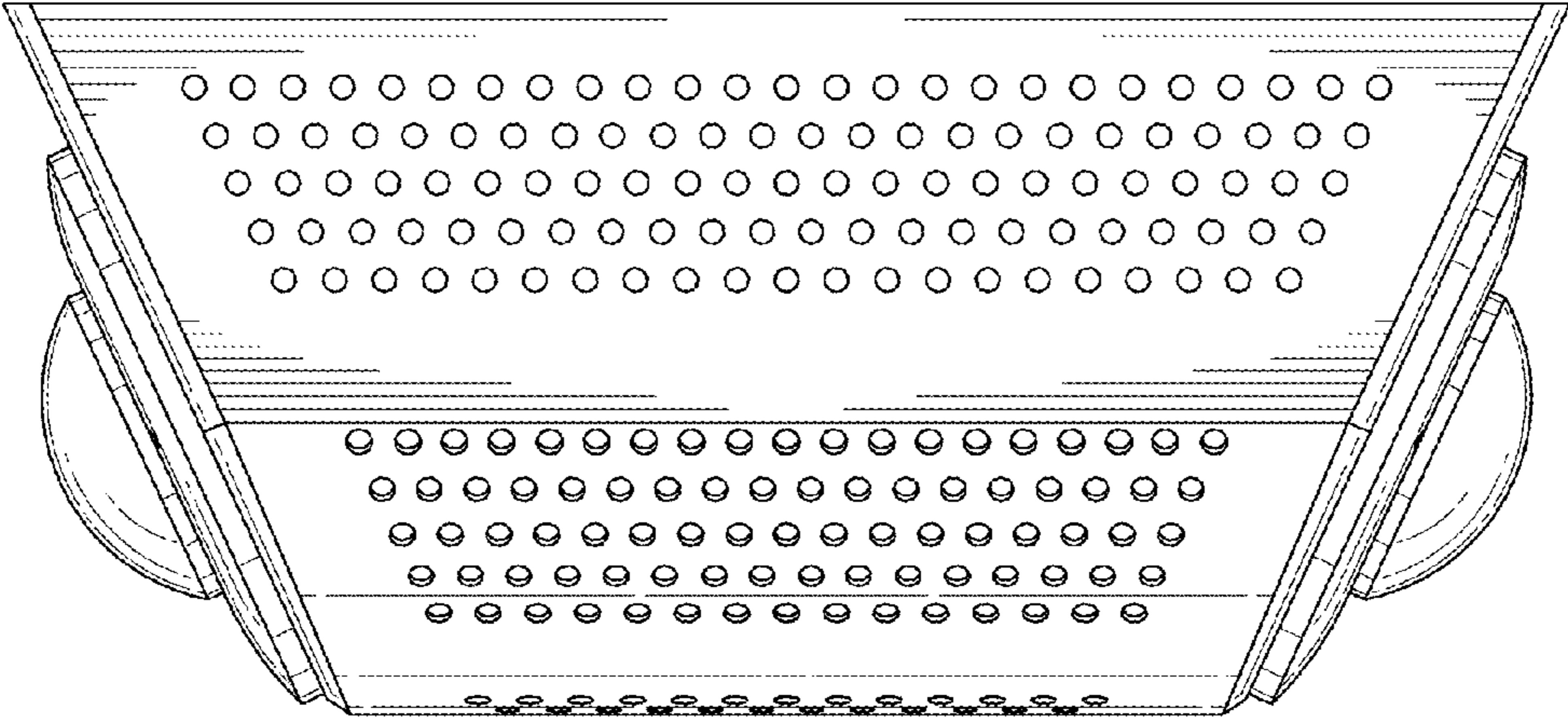


FIG. 4

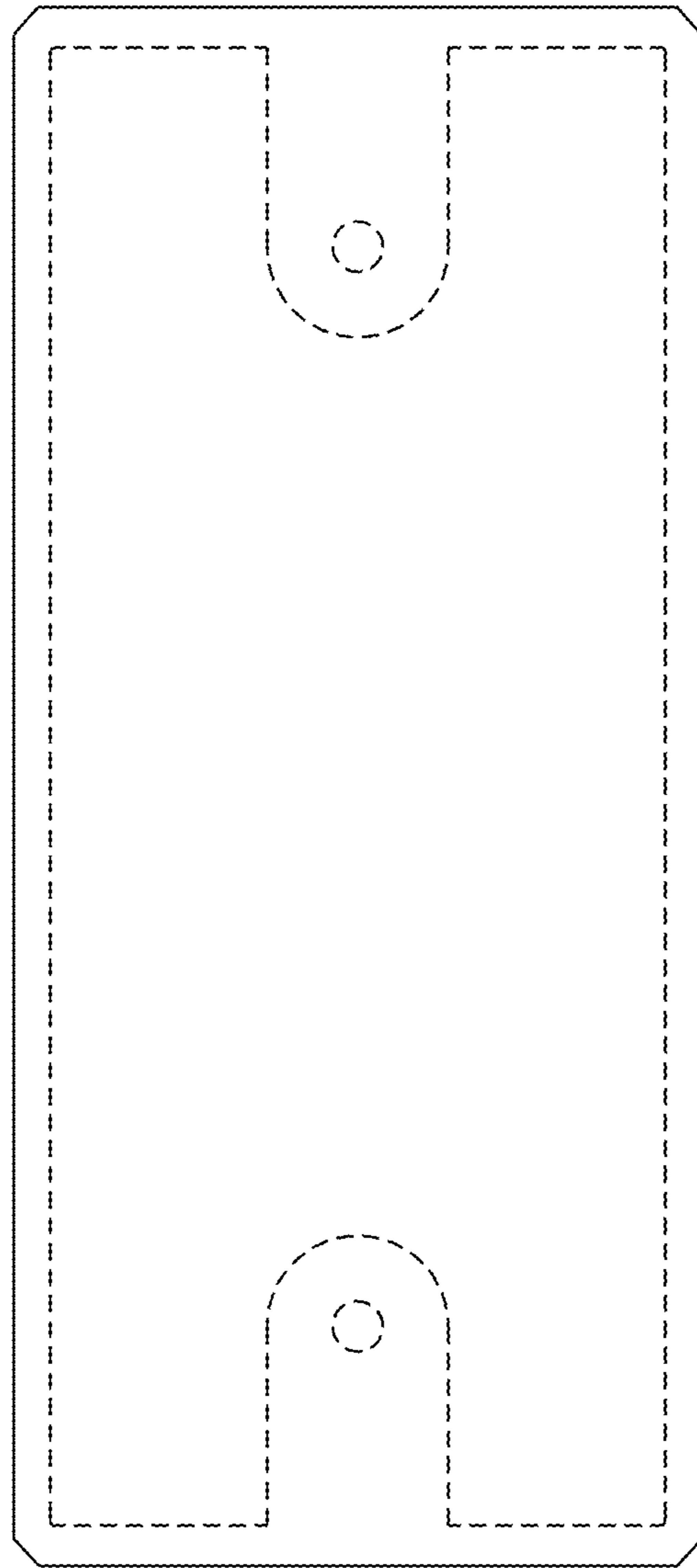


FIG. 5

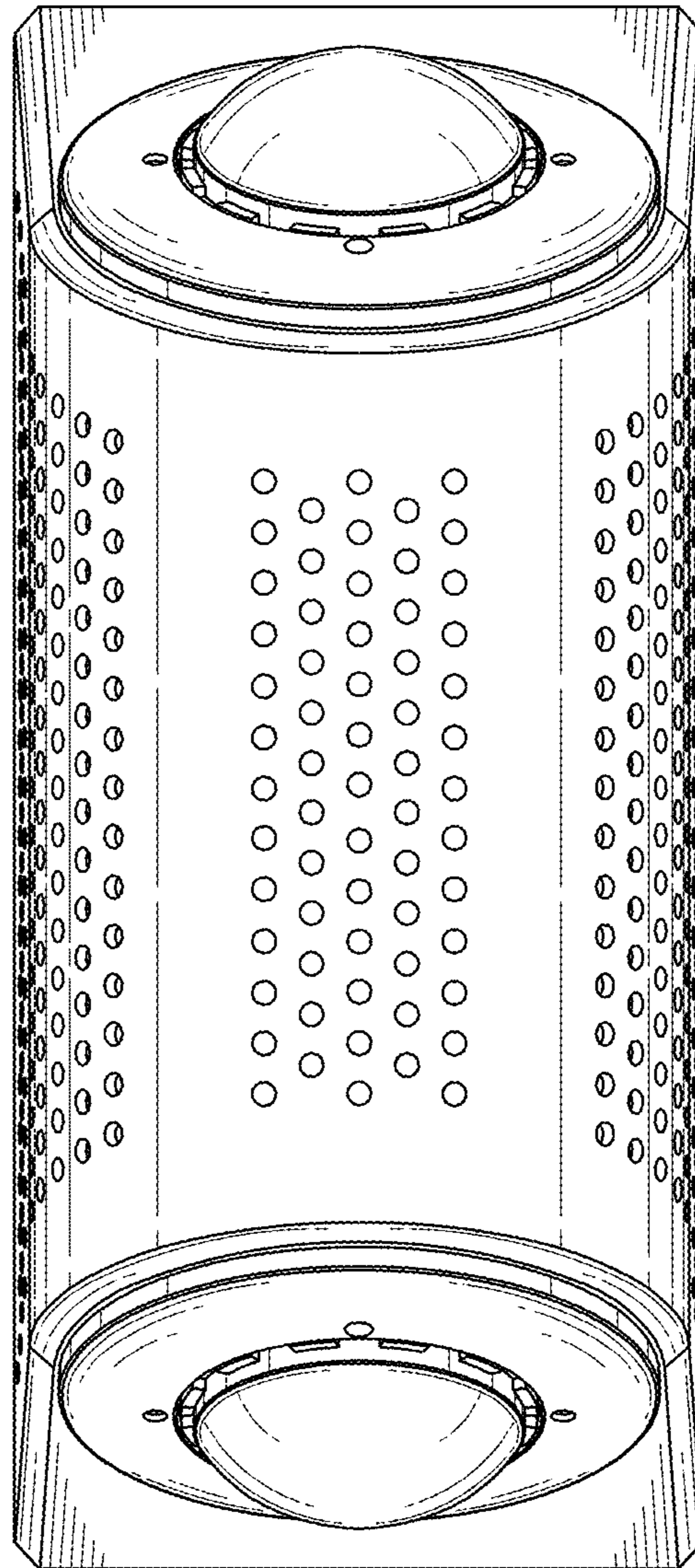


FIG. 6

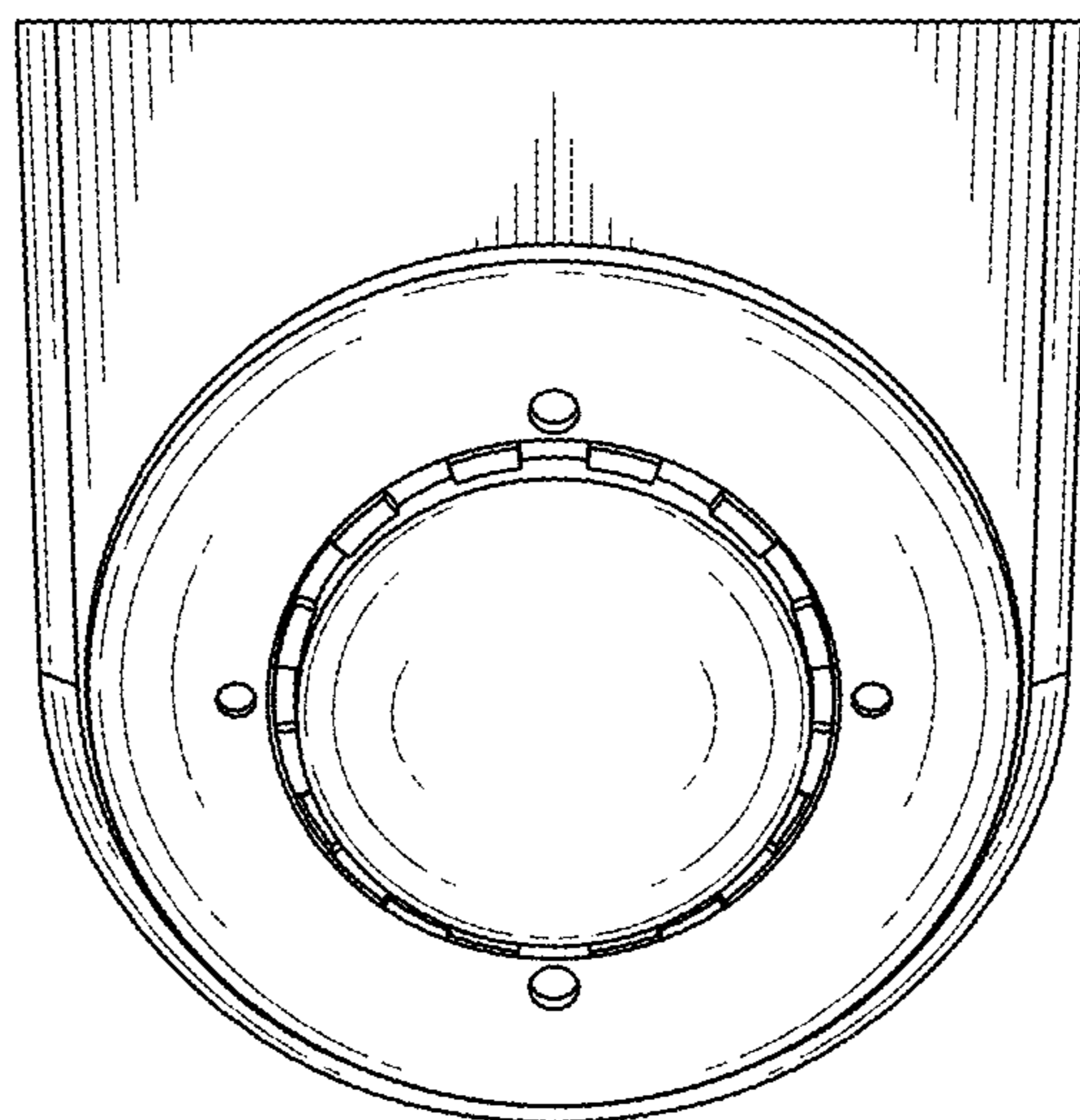


FIG. 7

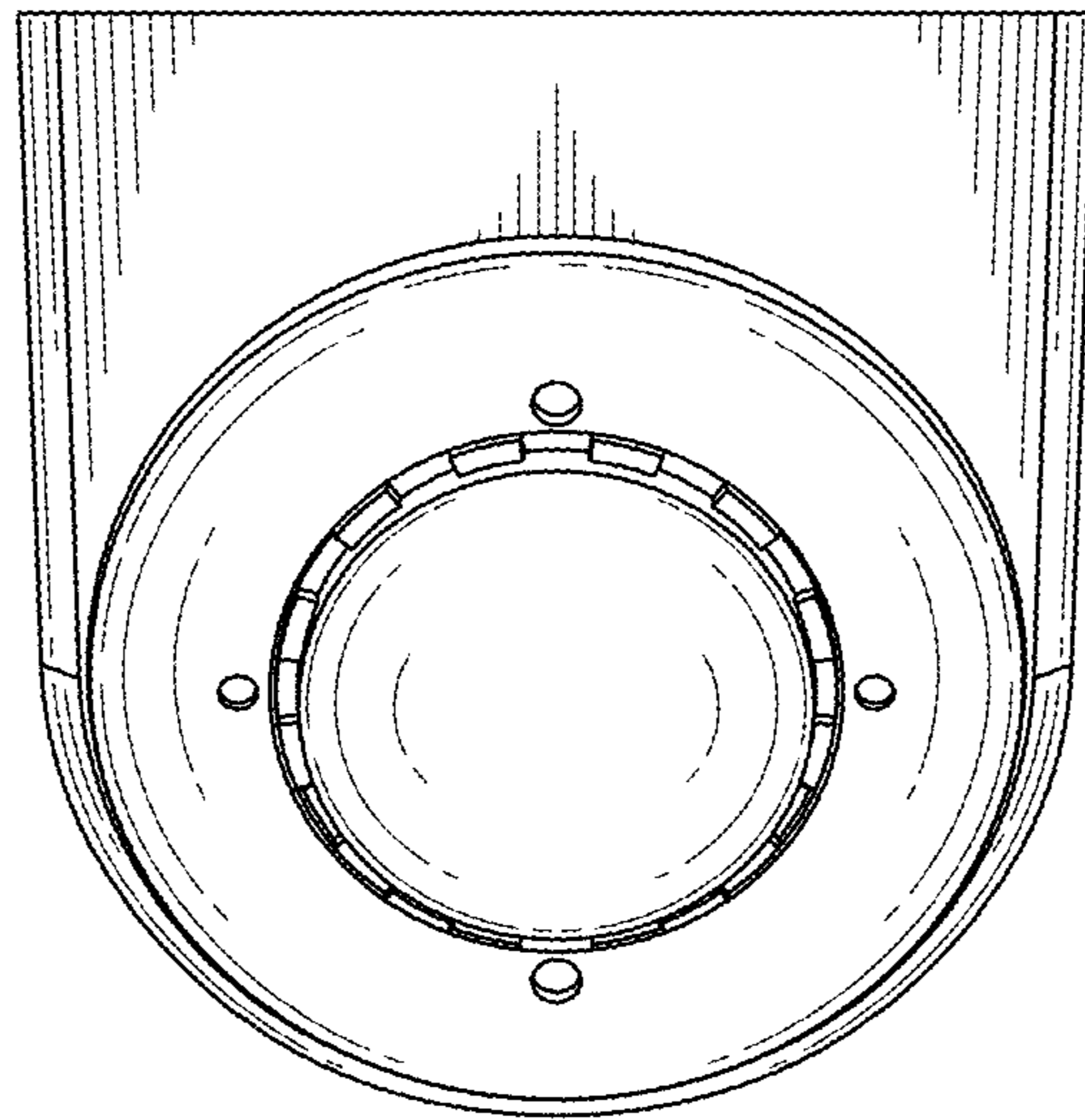


FIG. 8

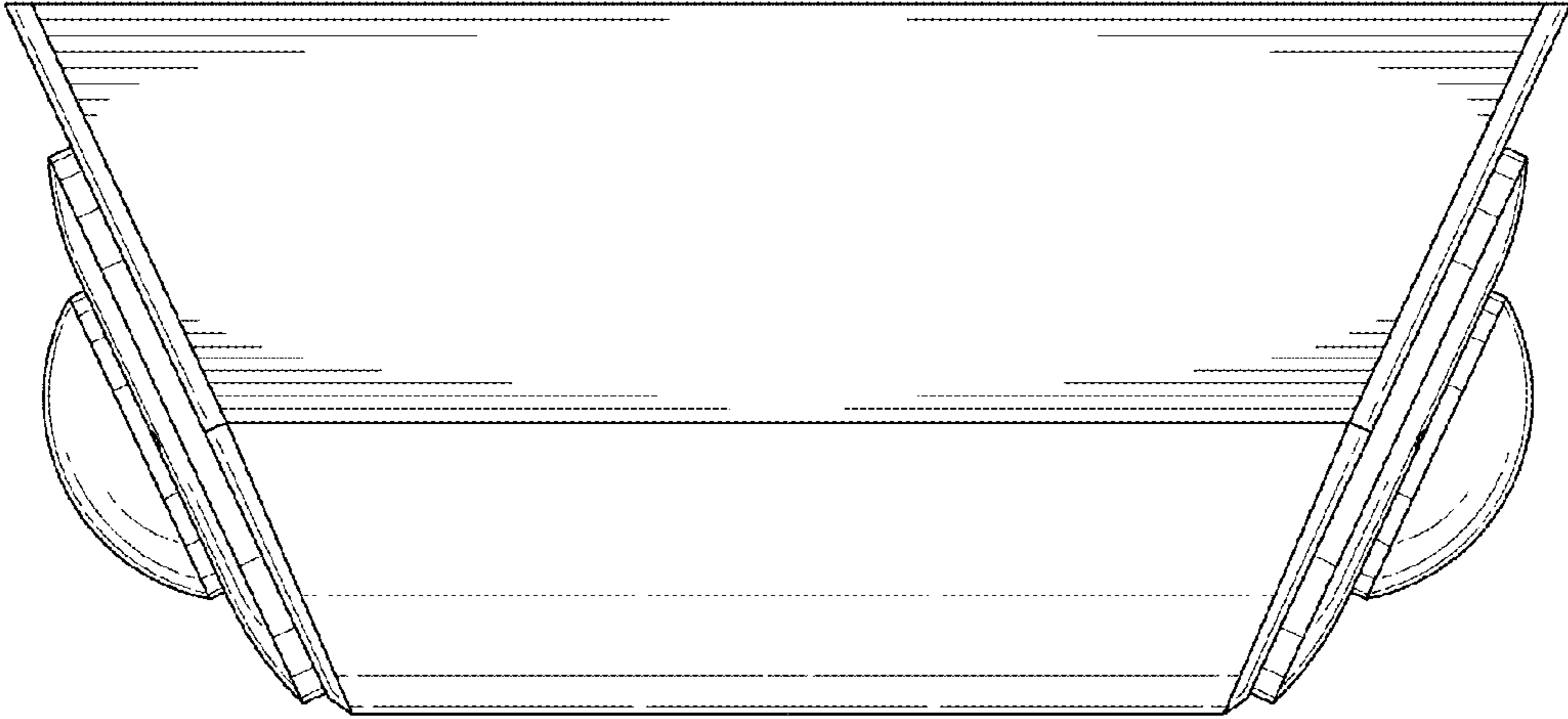


FIG. 9



FIG. 10

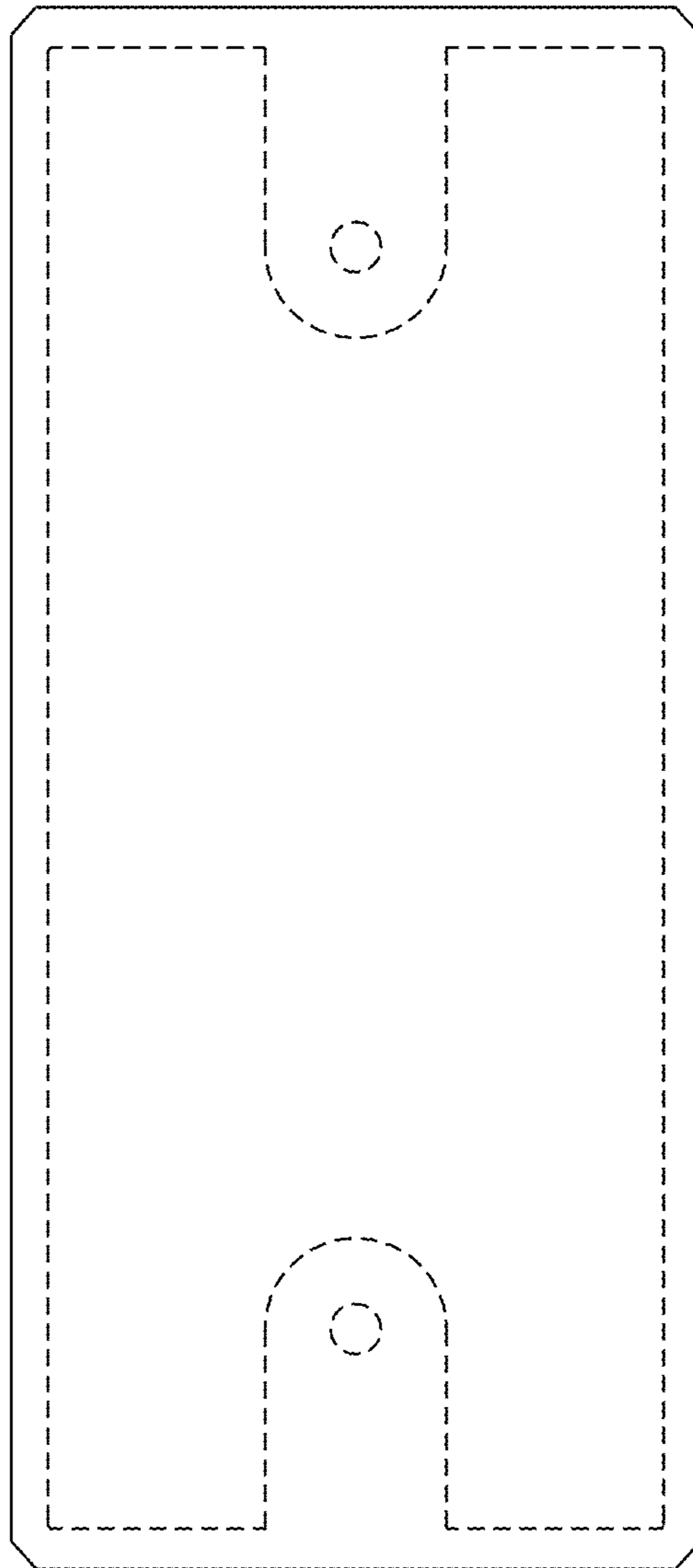


FIG. 11

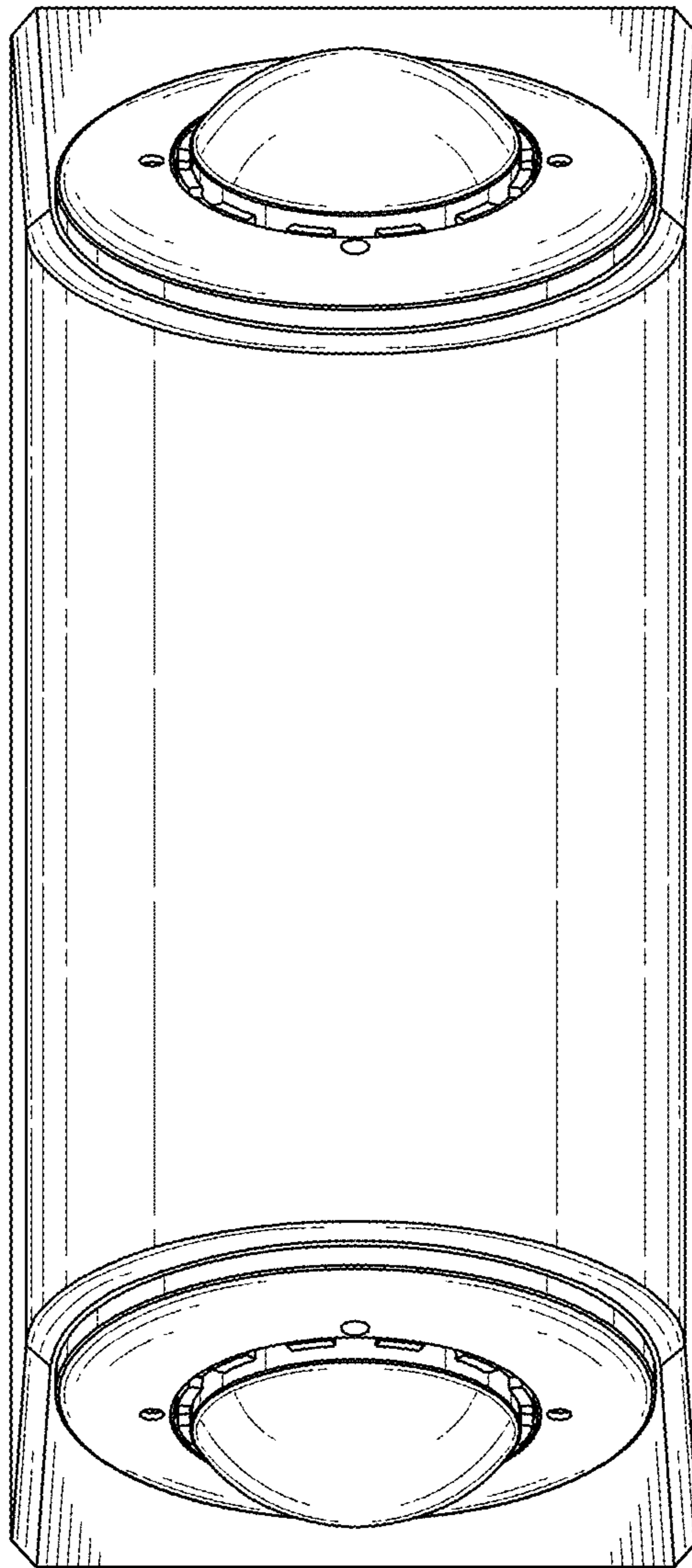


FIG. 12

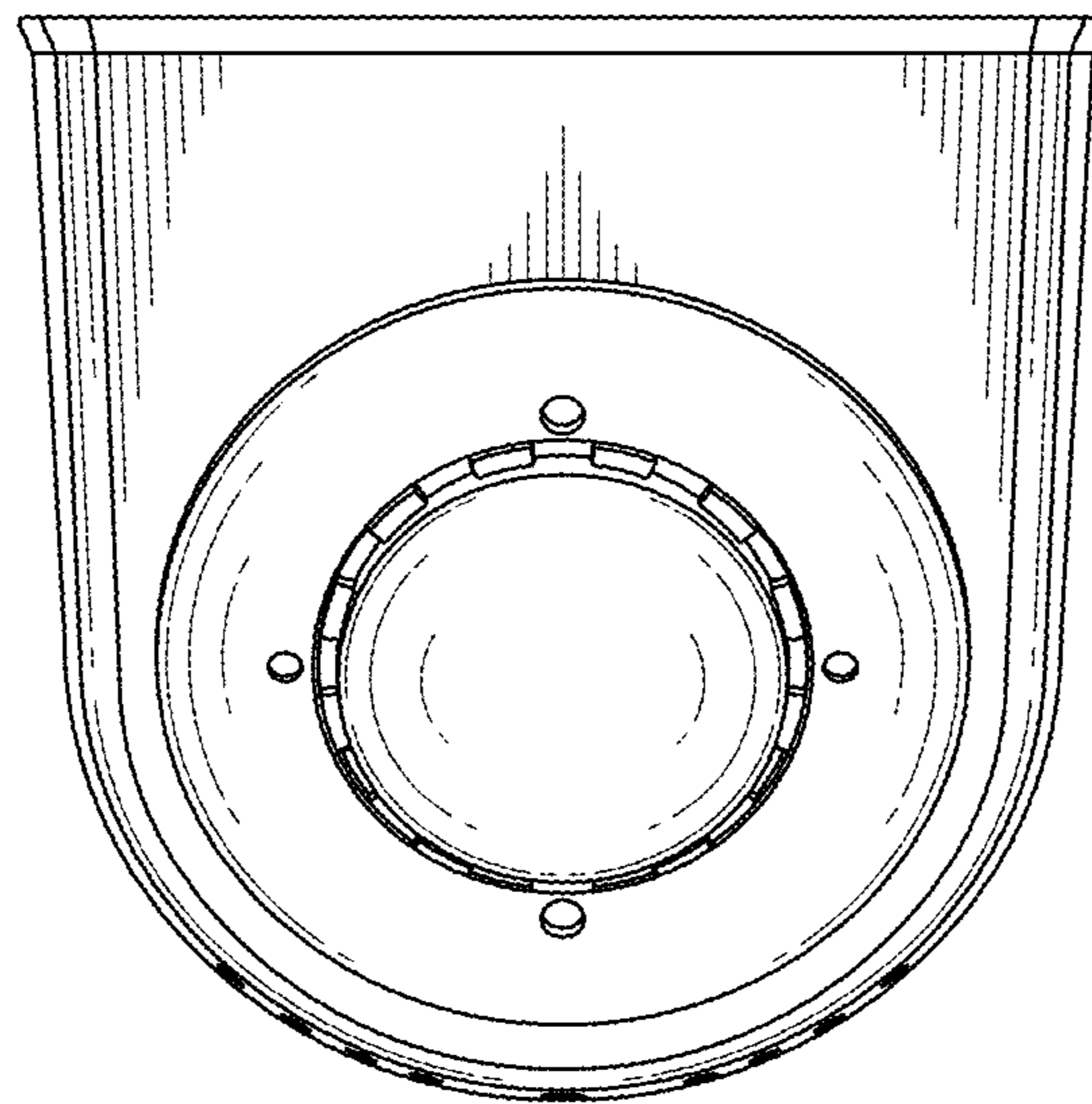


FIG. 13

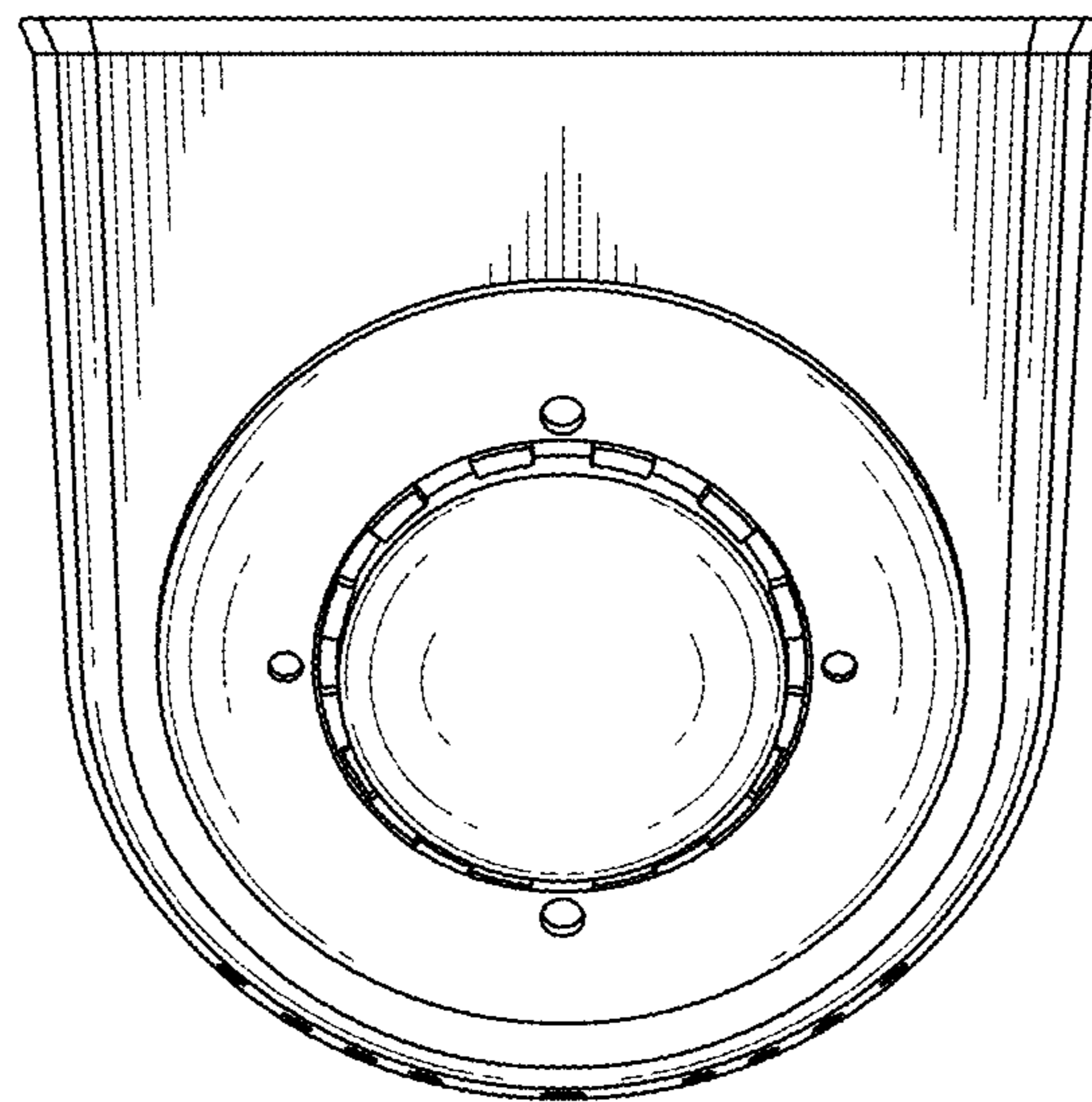


FIG. 14

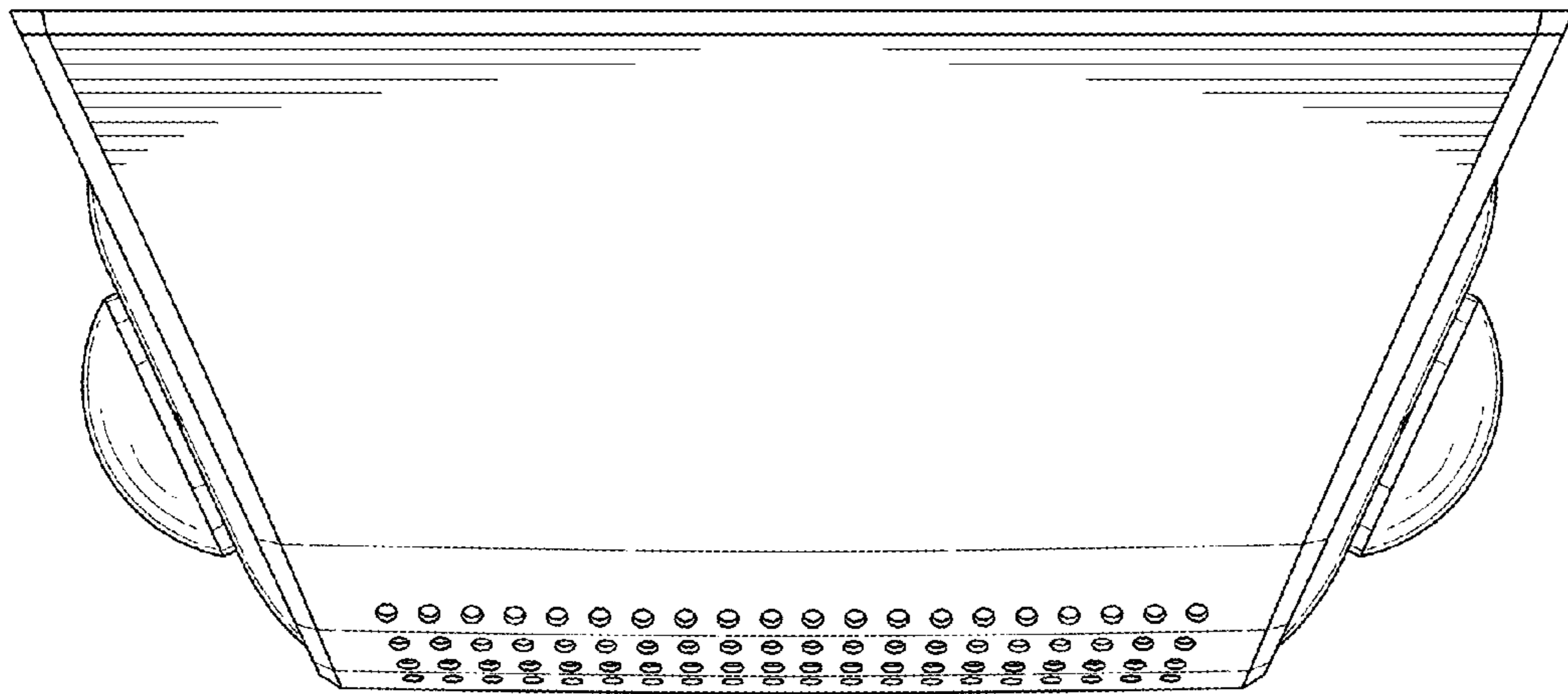


FIG. 15

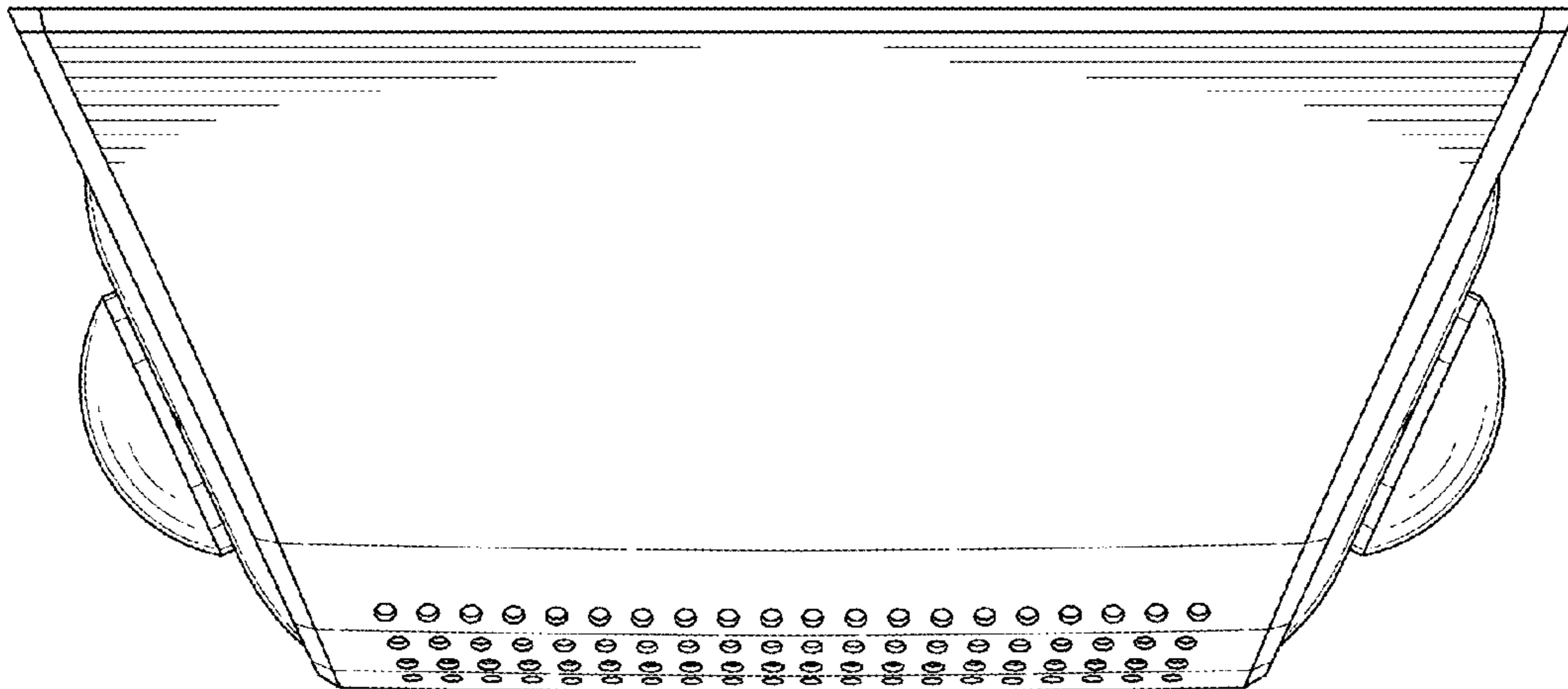


FIG. 16

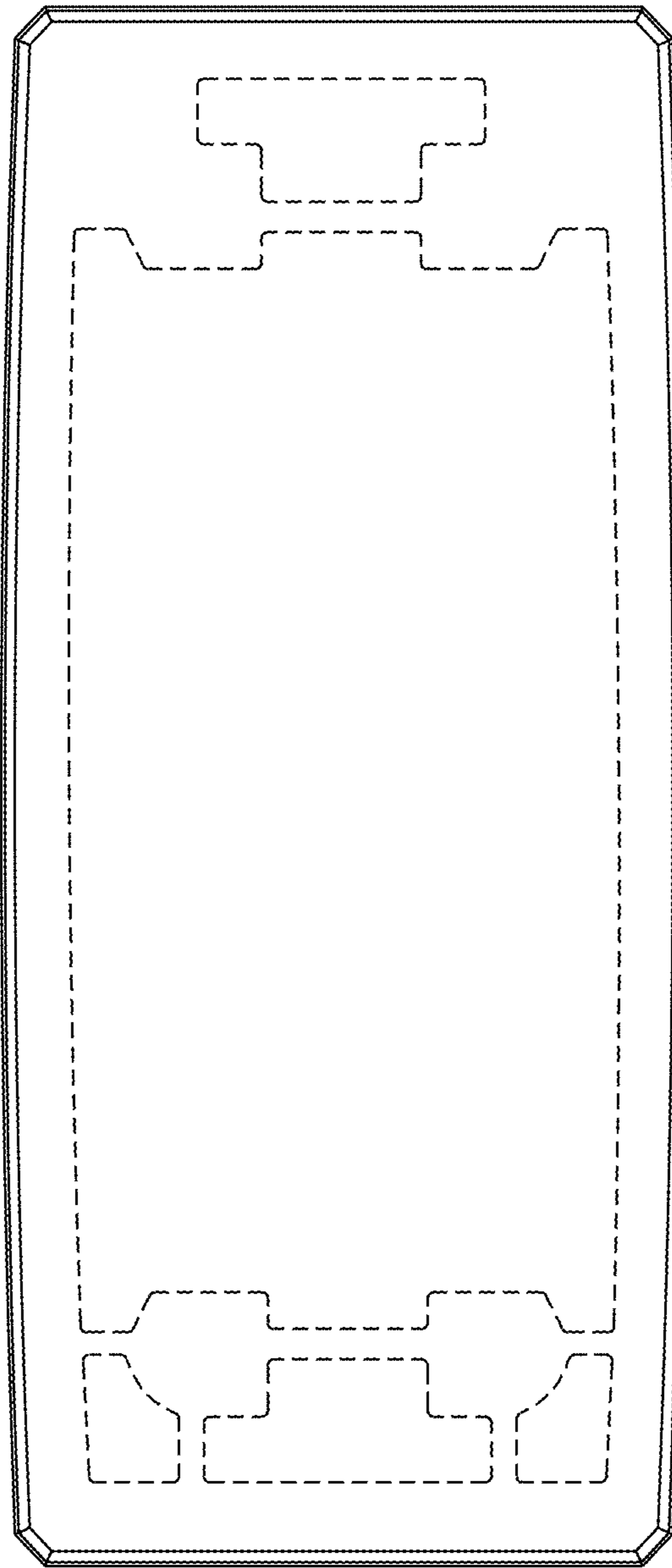


FIG. 17

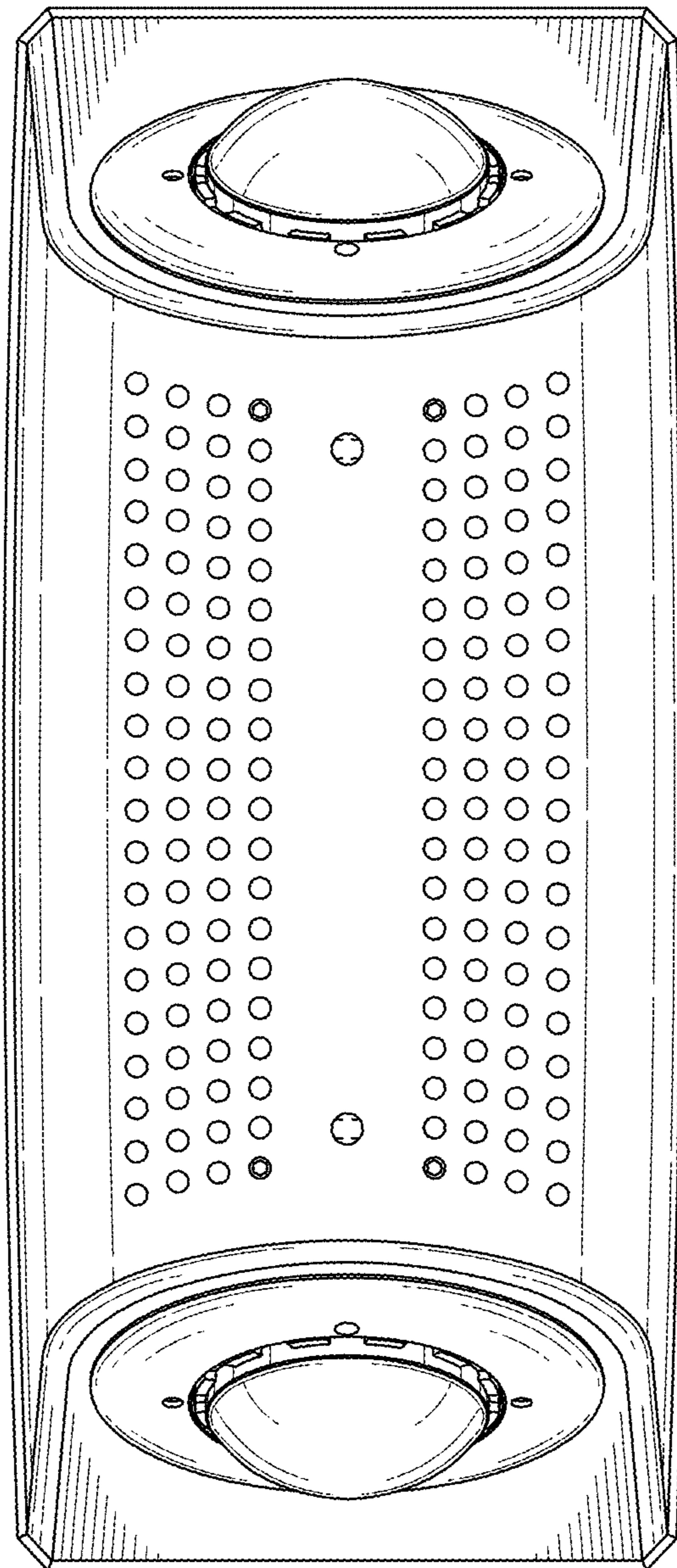


FIG. 18

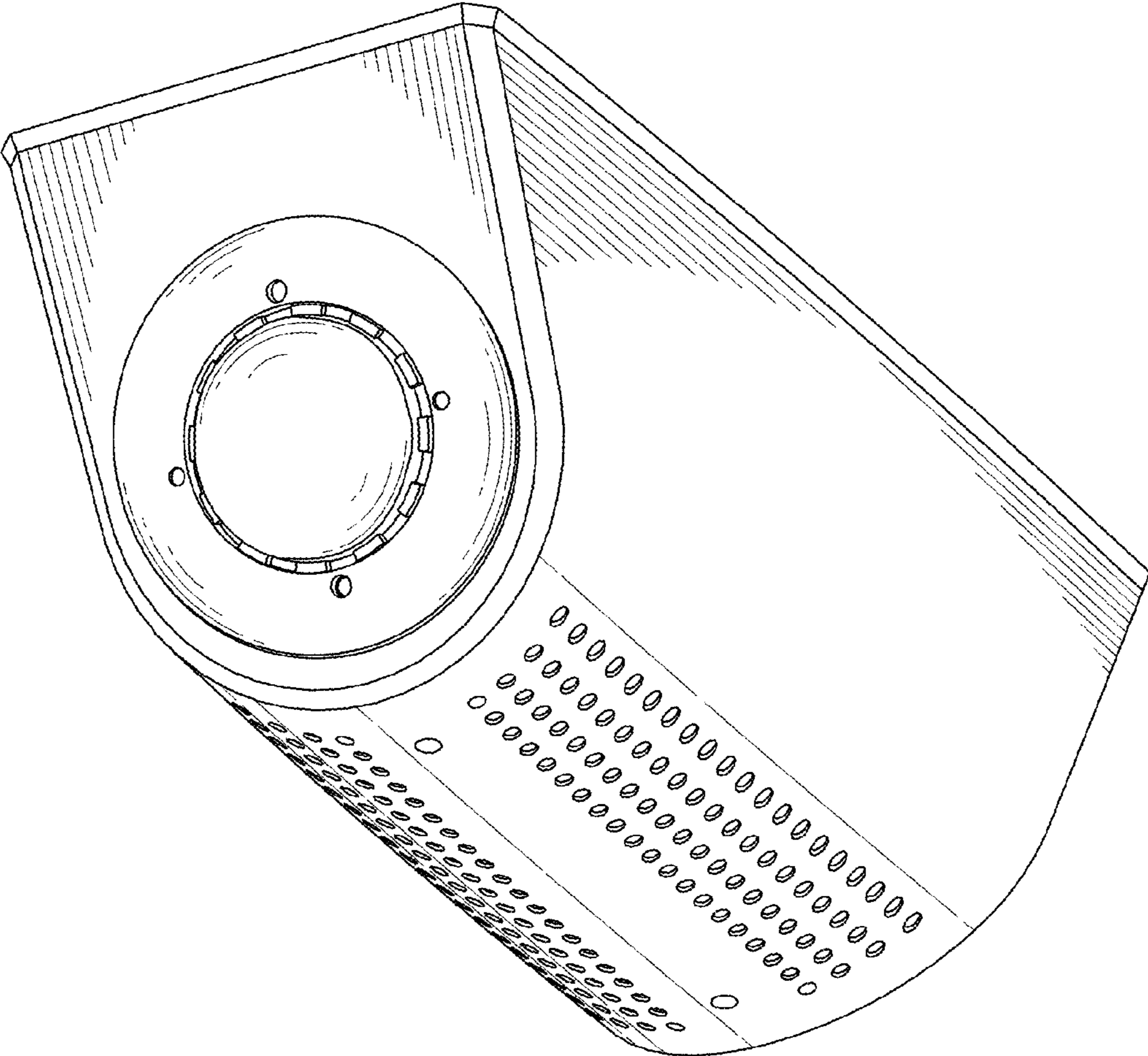


FIG. 19

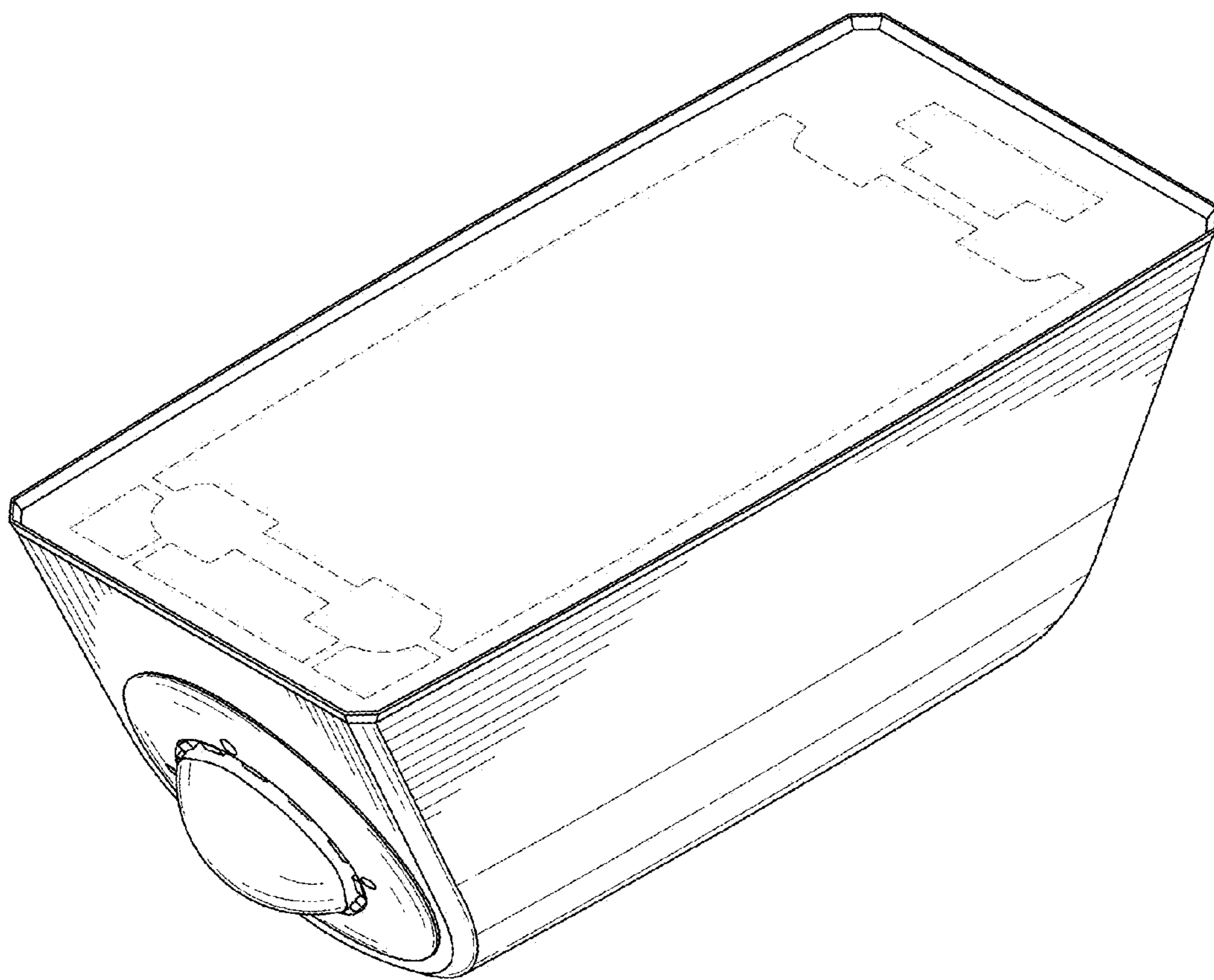


FIG. 20