



US00D751617S

(12) **United States Design Patent**
Sakigawara et al.

(10) **Patent No.:** **US D751,617 S**
(45) **Date of Patent:** **** Mar. 15, 2016**

(54) **VIDEO CAMERA**

(71) Applicant: **Panasonic Intellectual Property Management Co., Ltd., Osaka (JP)**

(72) Inventors: **Masayuki Sakigawara, Fukuoka (JP); Haruo Tagawa, Fukuoka (JP)**

(73) Assignee: **Panasonic Intellectual Property Management Co., Ltd., Osaka (JP)**

(**) Term: **14 Years**

(21) Appl. No.: **29/518,003**

(22) Filed: **Feb. 19, 2015**

(30) **Foreign Application Priority Data**

Oct. 15, 2014 (JP) 2014-023067

(51) **LOC (10) Cl.** **16-01**

(52) **U.S. Cl.**
USPC **D16/202**

(58) **Field of Classification Search**
USPC D16/200, 202, 203, 208, 218;
348/373-376; 396/176, 177, 535,
396/539-541
CPC G03B 13/196; G03B 13/19632; H04N
5/2251; H04N 5/2252; H04N 5/2253; H04N
5/2254
See application file for complete search history.

(56) **References Cited**

U.S. PATENT DOCUMENTS

3,001,461 A * 9/1961 Irwin G03B 15/0405
396/176
D197,815 S * 3/1964 Chen D16/218

4,316,658 A * 2/1982 Bundschuh G03B 19/04
396/177
D456,830 S * 5/2002 Chen D16/202
D472,258 S 3/2003 Yin et al.
D519,141 S * 4/2006 Hayashi D16/202
D563,444 S * 3/2008 Brickzin D16/203
D636,007 S 4/2011 Peng
D638,458 S * 5/2011 Miyamori D16/202
D695,806 S 12/2013 Konishi et al.
D719,127 S 12/2014 Nishiwaki et al.
D725,691 S * 3/2015 De Rosa D16/202

FOREIGN PATENT DOCUMENTS

JP D1314046 11/2007

* cited by examiner

Primary Examiner — Adir Aronovich

(74) *Attorney, Agent, or Firm* — Panasonic Patent Center

(57) **CLAIM**

We claim the ornamental design for a video camera, as shown and described.

DESCRIPTION

FIG. 1 is a front-left-top perspective view of a video camera of the present invention;
FIG. 2 is a front-right-top perspective view thereof;
FIG. 3 is a front elevational view thereof;
FIG. 4 is a rear elevational view thereof;
FIG. 5 is a left side elevational view thereof;
FIG. 6 is a right side elevational view thereof;
FIG. 7 is a top plan view thereof; and,
FIG. 8 is a bottom plan view thereof.
The broken lines in the drawings are shown to illustrate the portions of a video camera in which the design is embodied and form no part of the claimed design.

1 Claim, 8 Drawing Sheets

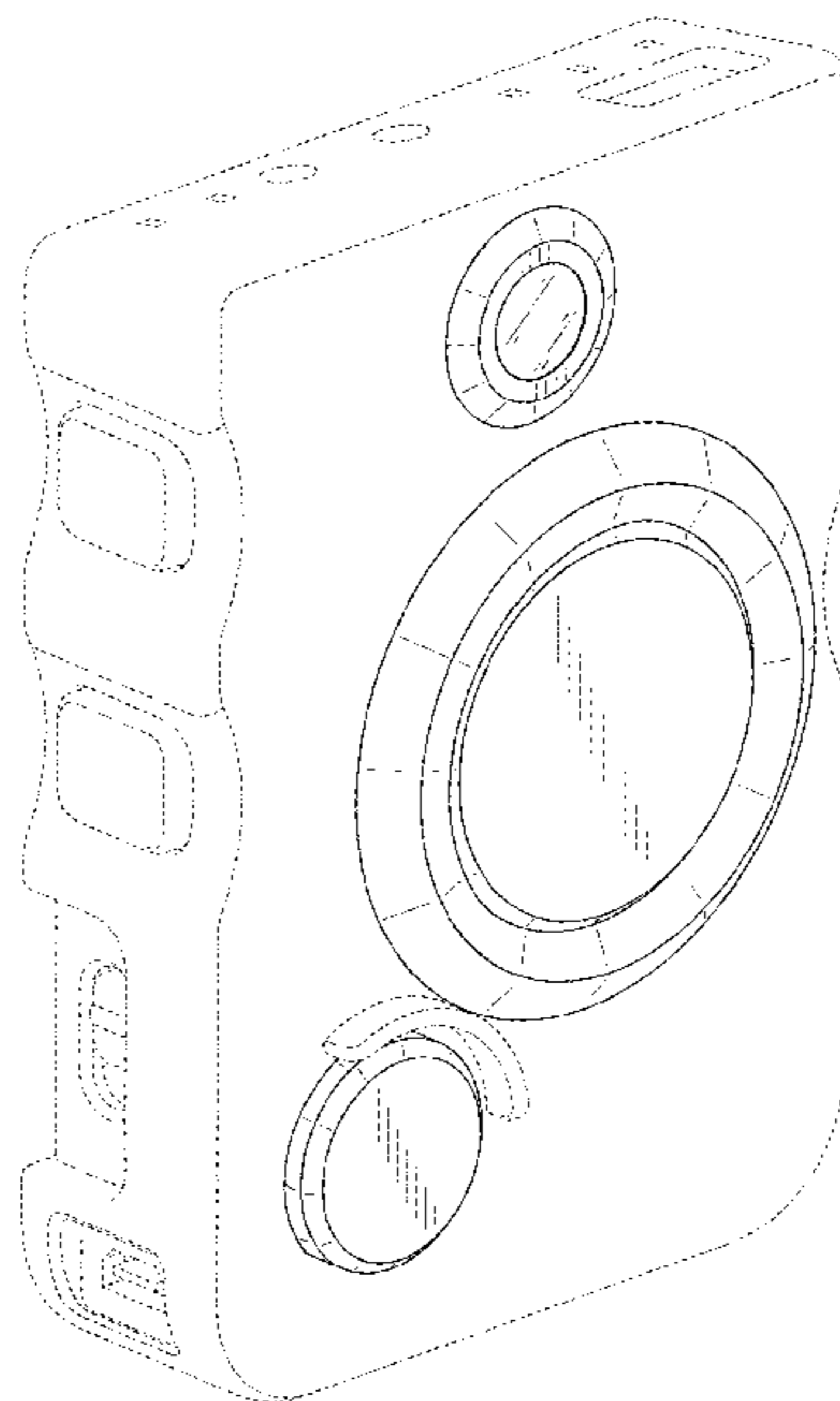


FIG. 1

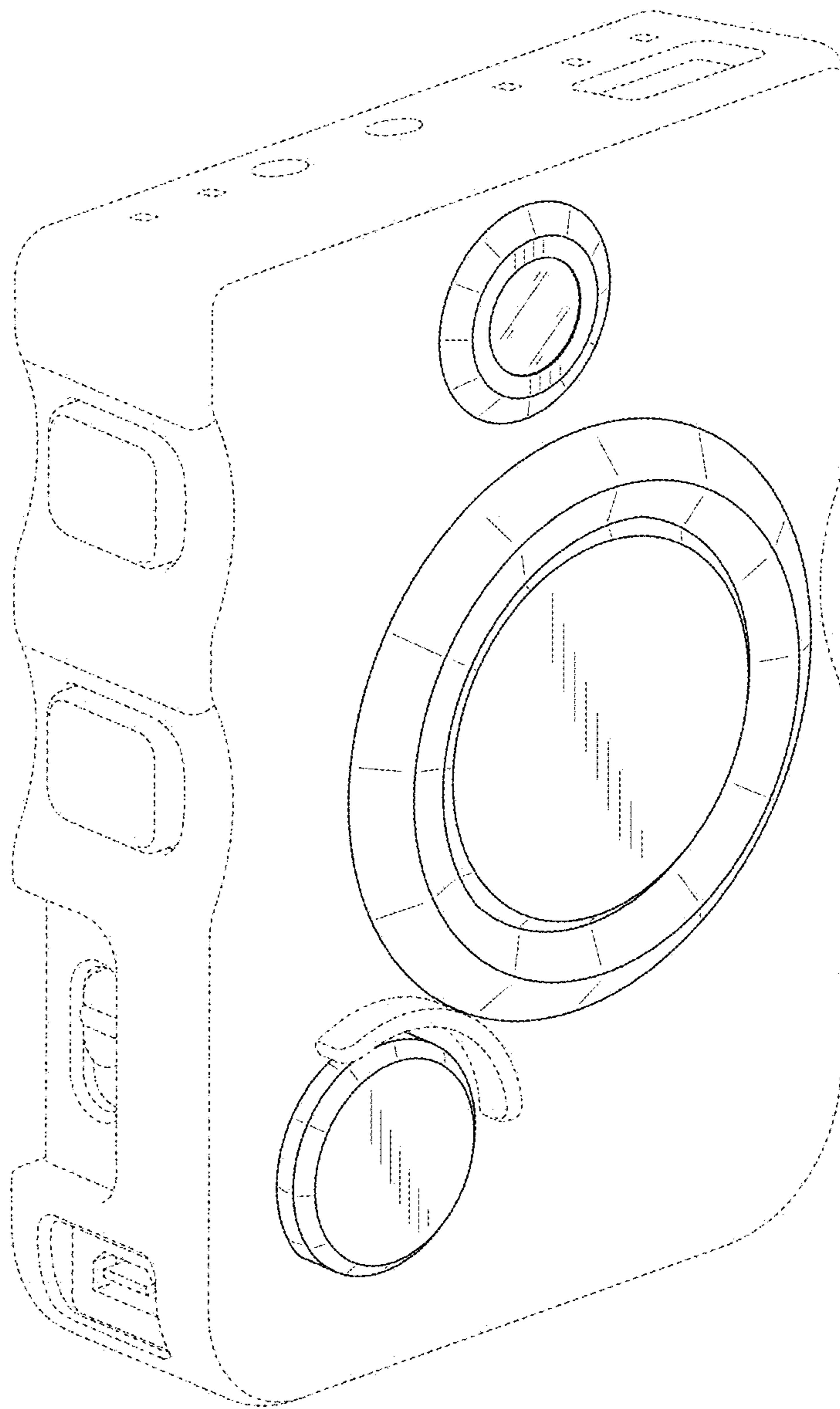


FIG. 2

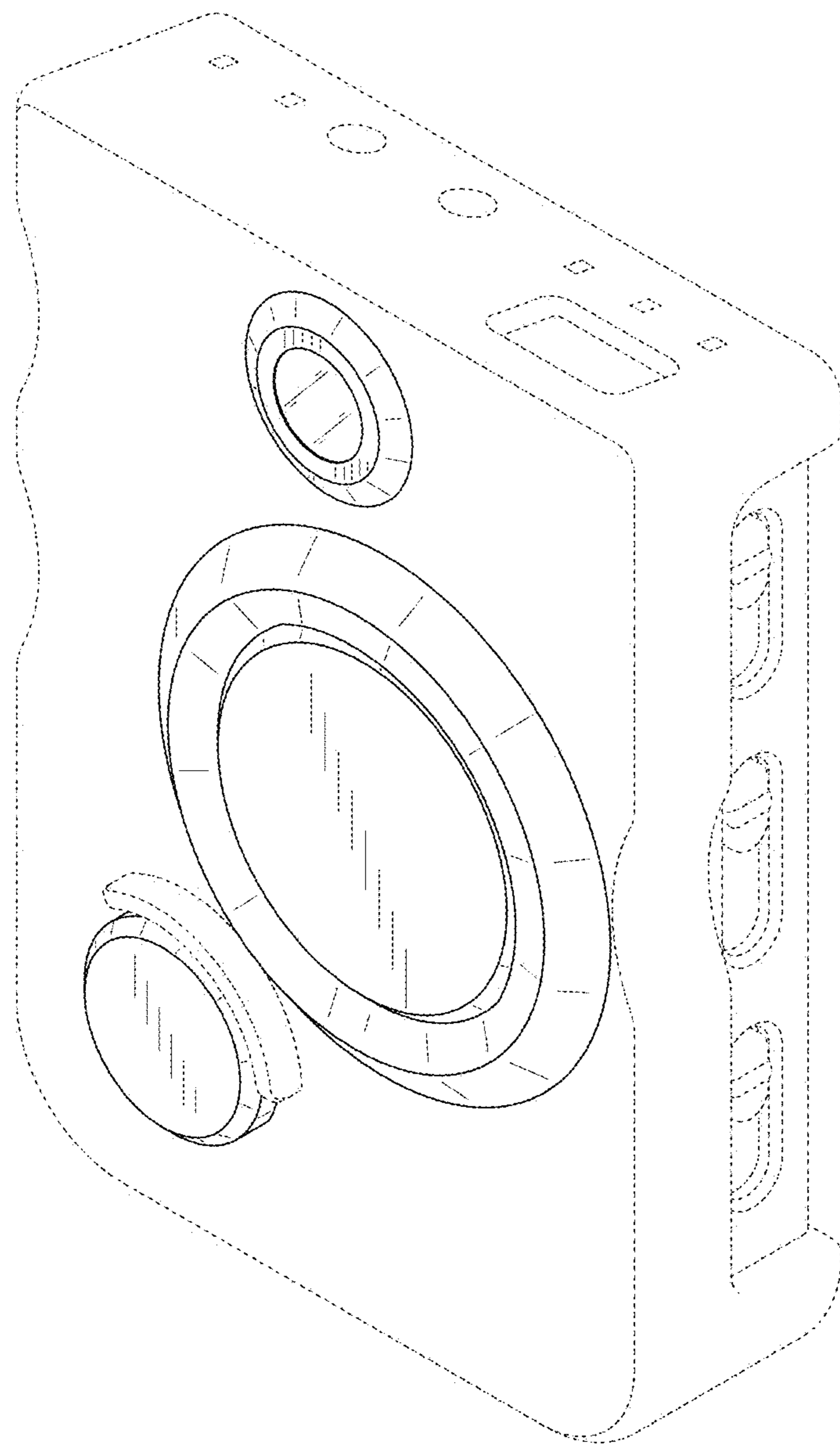


FIG. 3

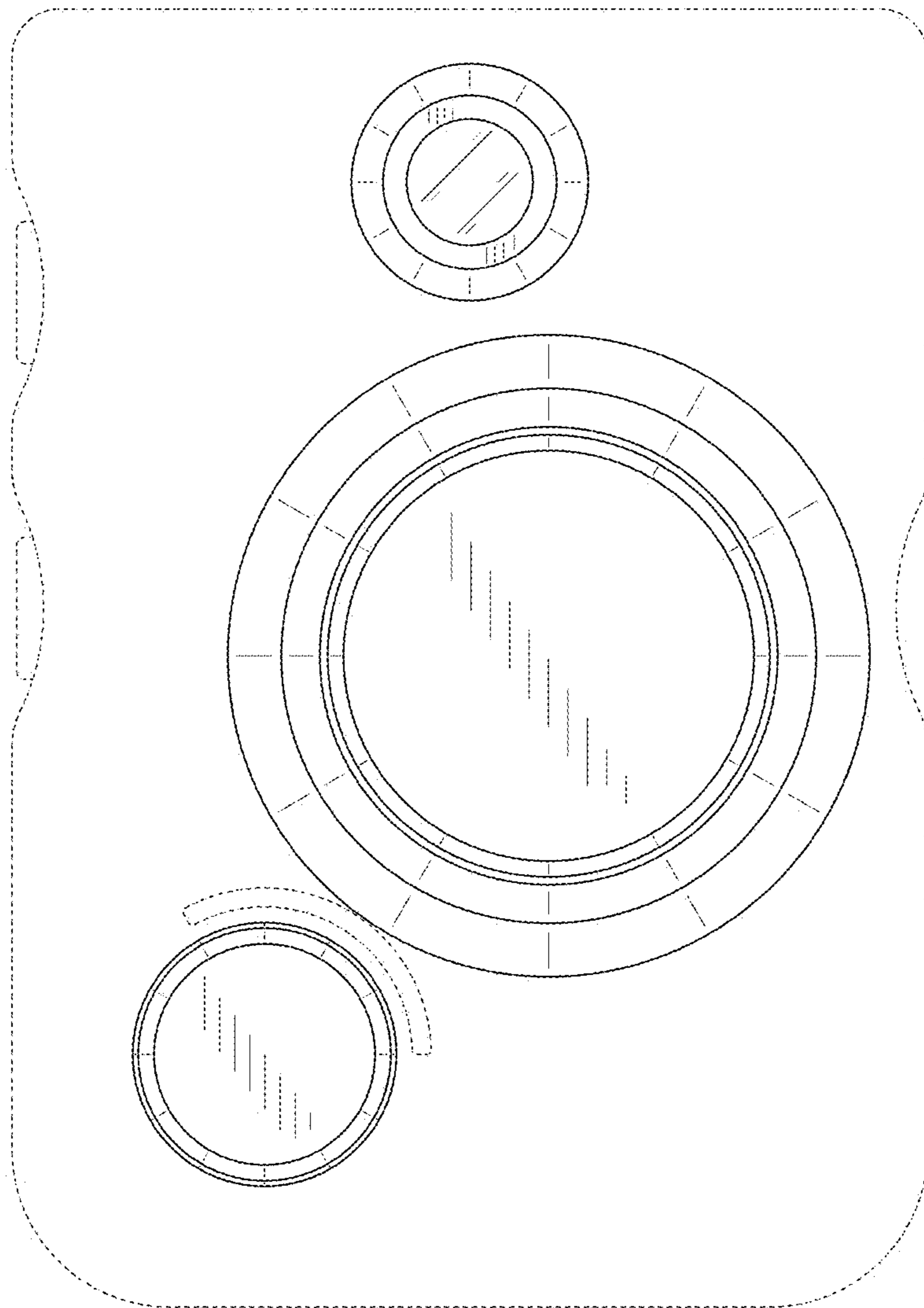


FIG. 4

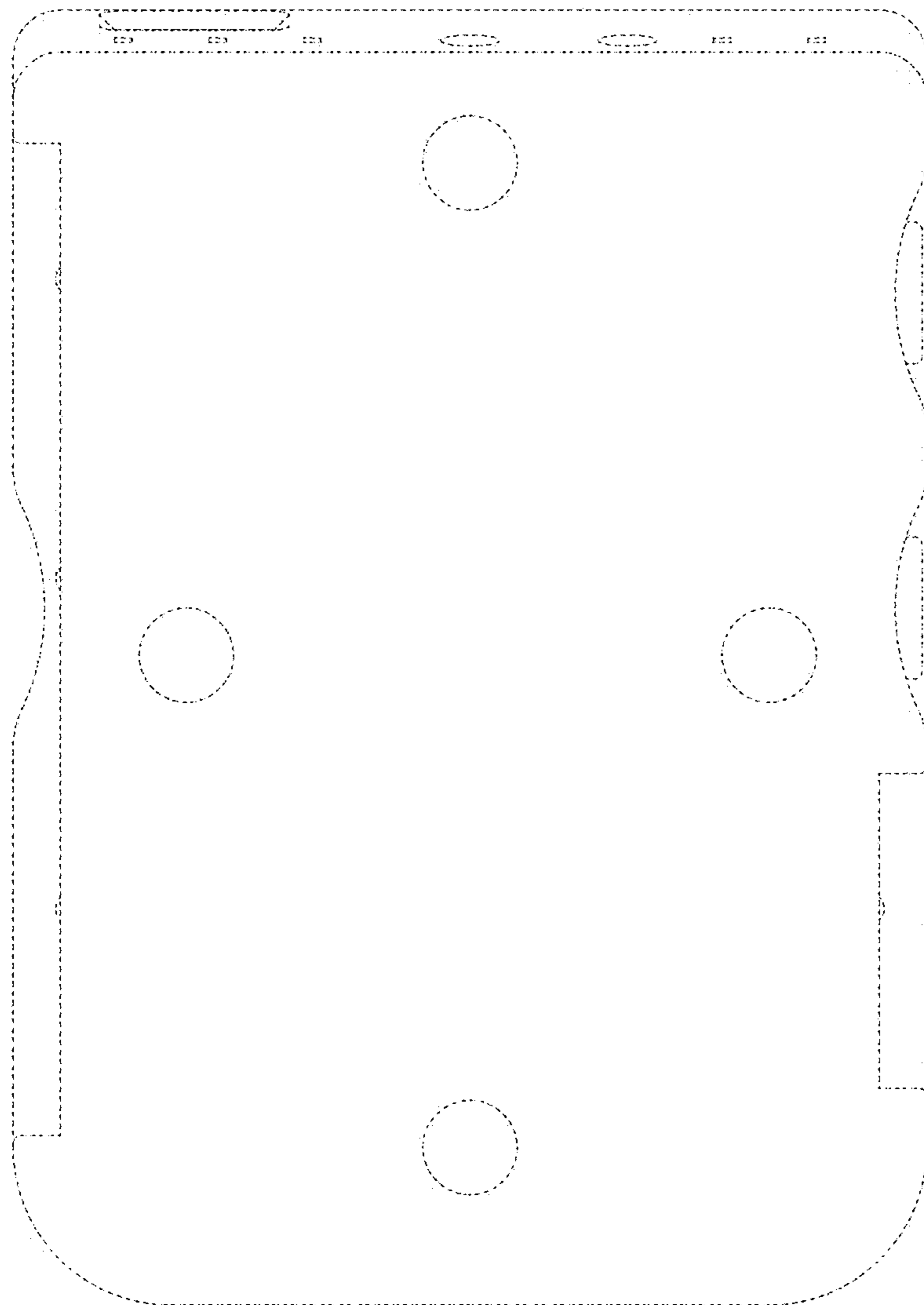


FIG. 5

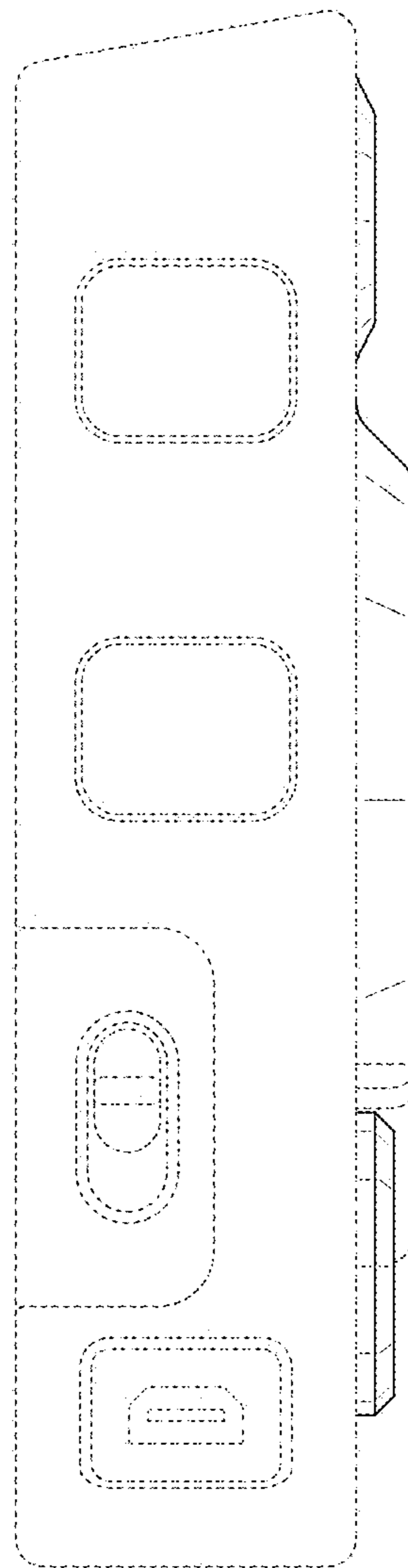


FIG. 6

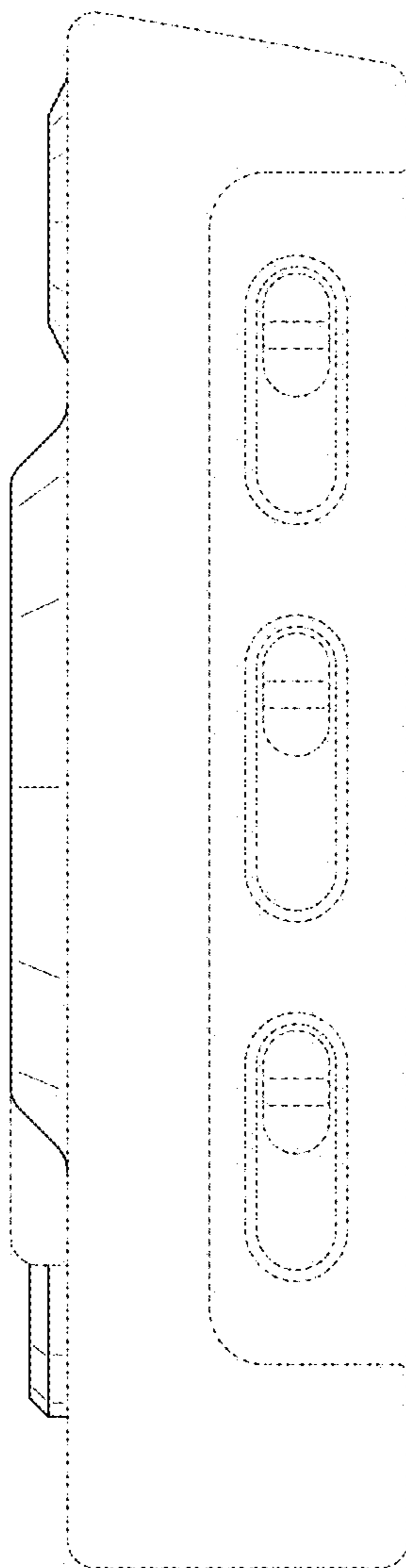


FIG. 7

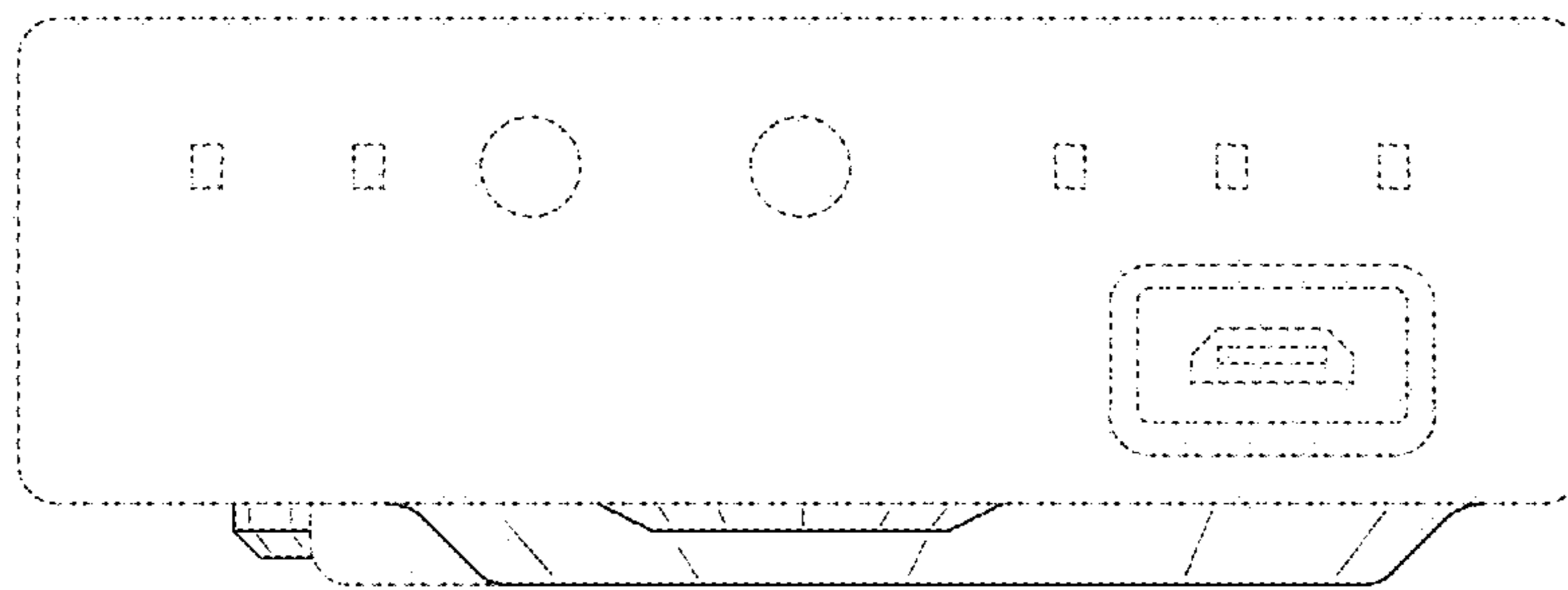


FIG. 8

