



US00D751612S

(12) **United States Design Patent**  
**Kojima et al.**

(10) **Patent No.:** **US D751,612 S**  
(45) **Date of Patent:** **\*\* Mar. 15, 2016**

(54) **THREE-DIMENSIONAL PRINTER**  
(71) Applicant: **CMET INC.**, Yokohama-shi, Kanagawa (JP)  
(72) Inventors: **Isao Kojima**, Yokohama (JP); **Yuuki Arake**, Yokohama (JP)  
(73) Assignee: **CMET INC.**, Kanagawa (JP)

D726,789 S \* 4/2015 Schmid ..... D15/122  
D729,309 S \* 5/2015 Jun ..... D18/50  
D732,586 S \* 6/2015 Chen ..... D15/122  
D732,587 S \* 6/2015 Hsu ..... D15/122  
D732,588 S \* 6/2015 Lin ..... D15/122  
D734,788 S \* 7/2015 Reches ..... D15/122  
D736,840 S \* 8/2015 Kirkland ..... D15/122  
D739,885 S \* 9/2015 Lee ..... D15/122  
D740,863 S \* 10/2015 Kemperle ..... D15/122

(\*\*) Term: **14 Years**  
(21) Appl. No.: **29/512,147**  
(22) Filed: **Dec. 17, 2014**

**FOREIGN PATENT DOCUMENTS**

JP D1391936 7/2010  
JP D1482910 10/2013

\* cited by examiner

*Primary Examiner* — Patricia Palasik  
(74) *Attorney, Agent, or Firm* — RatnerPrestia

(30) **Foreign Application Priority Data**  
Jun. 23, 2014 (JP) ..... 2014-013633  
(51) **LOC (10) Cl.** ..... **15-09**  
(52) **U.S. Cl.**  
USPC ..... **D15/122**  
(58) **Field of Classification Search**  
USPC ..... D15/122; D18/6-7, 14, 19, 50, 54, 55,  
D18/59  
See application file for complete search history.

(57) **CLAIM**  
The ornamental design for a three-dimensional printer, as shown and described.

**DESCRIPTION**

FIG. 1 is a front perspective view of a three-dimensional printer showing our new design;  
FIG. 2 is a front view thereof;  
FIG. 3 is a rear view thereof;  
FIG. 4 is a left side view thereof;  
FIG. 5 is a right side view thereof;  
FIG. 6 is a top plan view thereof; and,  
FIG. 7 is a bottom plan view thereof.  
The broken lines in the drawings are for the purpose of illustrating unclaimed portions of the three-dimensional printer and form no part of the claimed design.

(56) **References Cited**  
**U.S. PATENT DOCUMENTS**  
D319,834 S \* 9/1991 Rutschle ..... D15/131  
D671,969 S \* 12/2012 Yang ..... D15/122  
D676,882 S \* 2/2013 Mueller ..... D15/122  
D677,723 S \* 3/2013 Buel ..... D18/59  
D688,741 S \* 8/2013 Joyce ..... D18/50  
D722,108 S \* 2/2015 Reches ..... D18/50

**1 Claim, 5 Drawing Sheets**

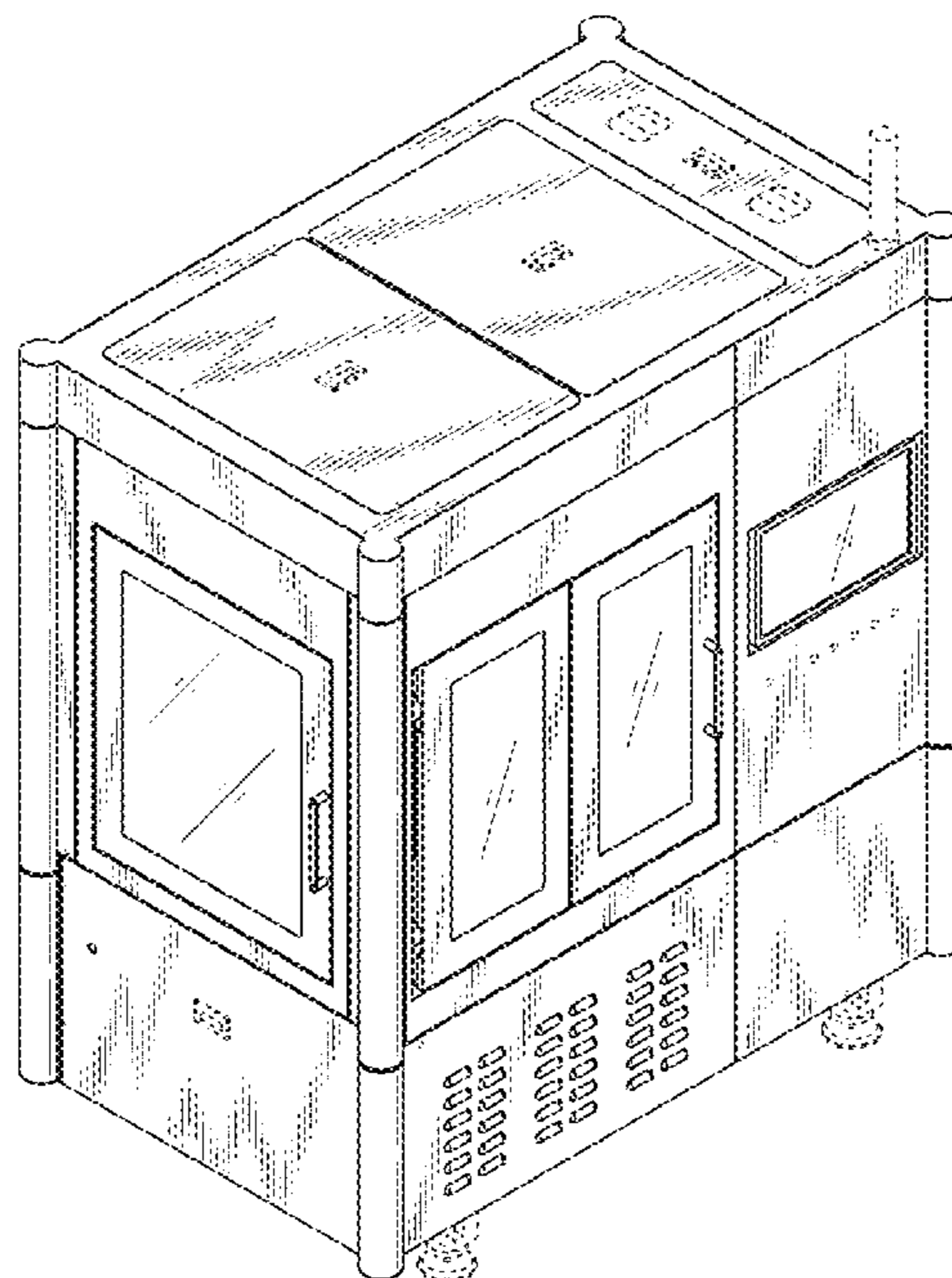


FIG. 1

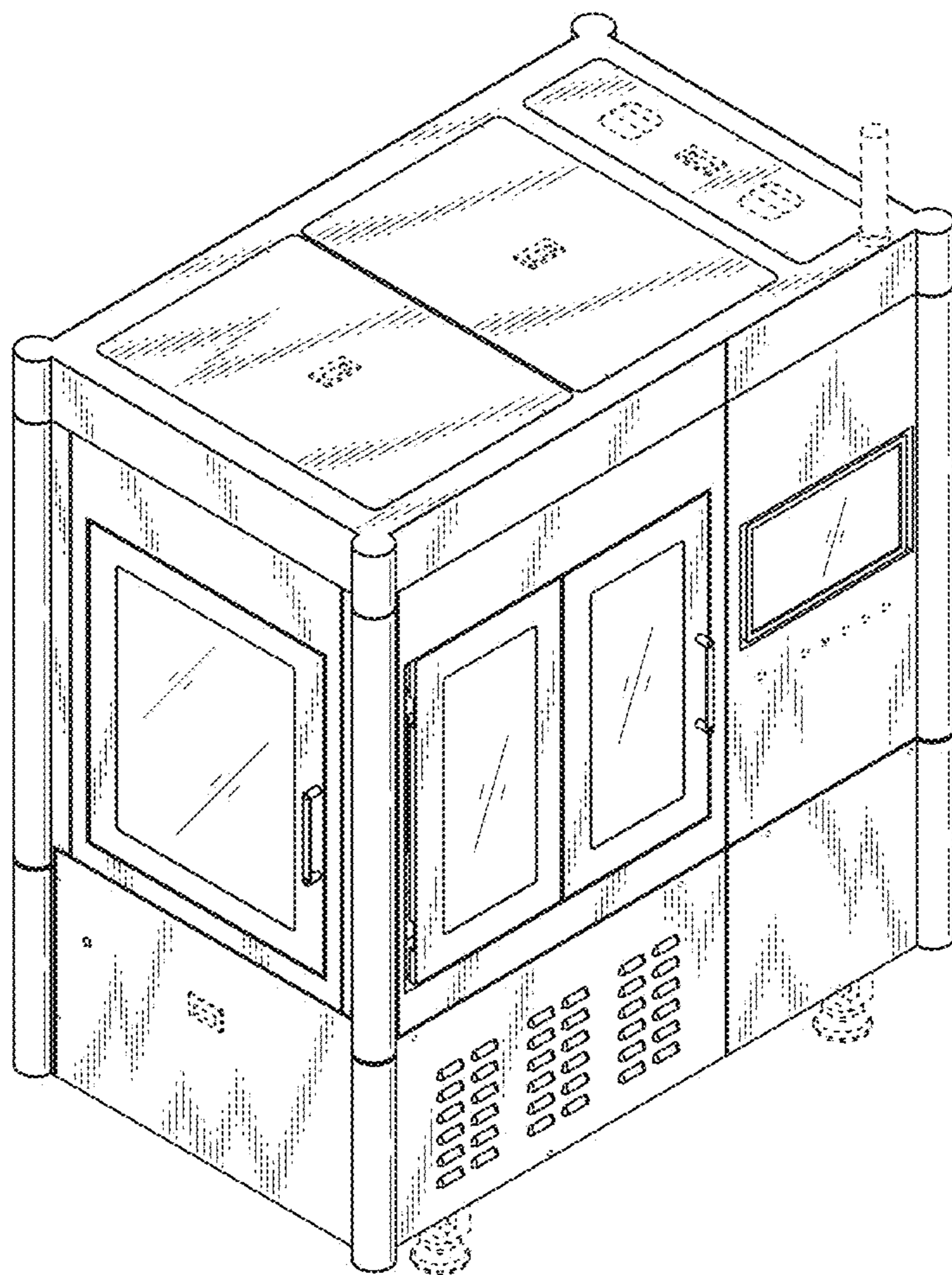


FIG. 2

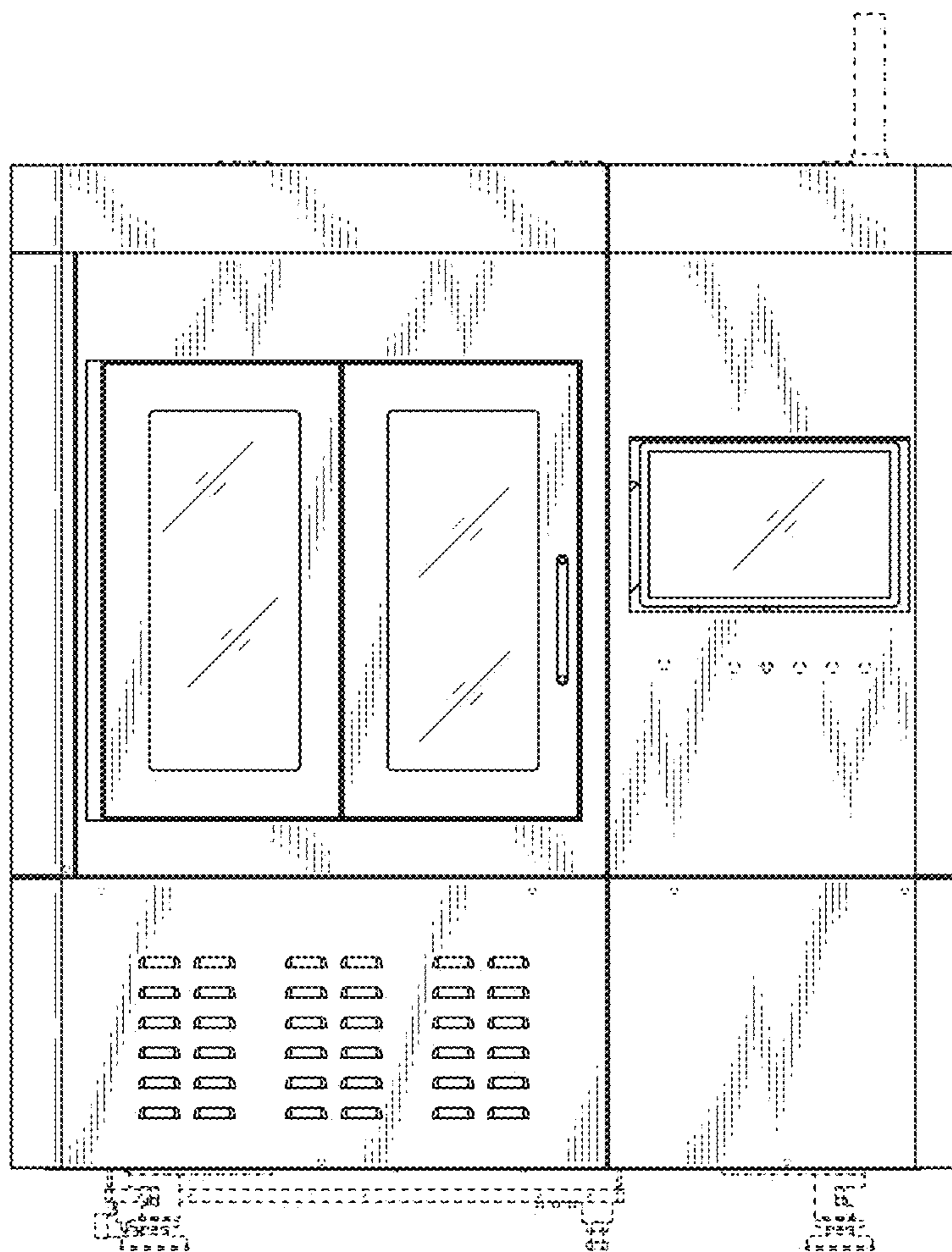


FIG. 3

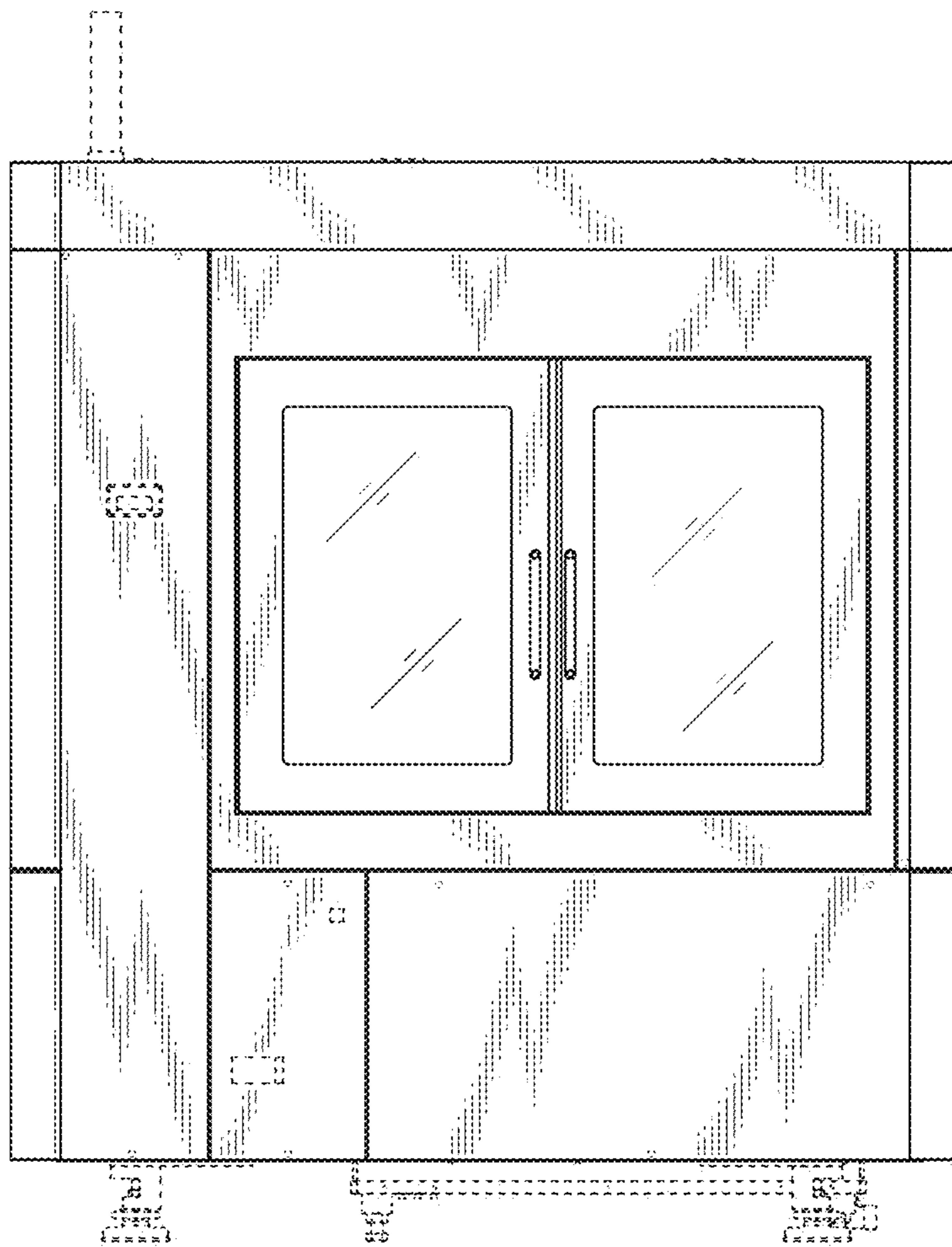




FIG. 4

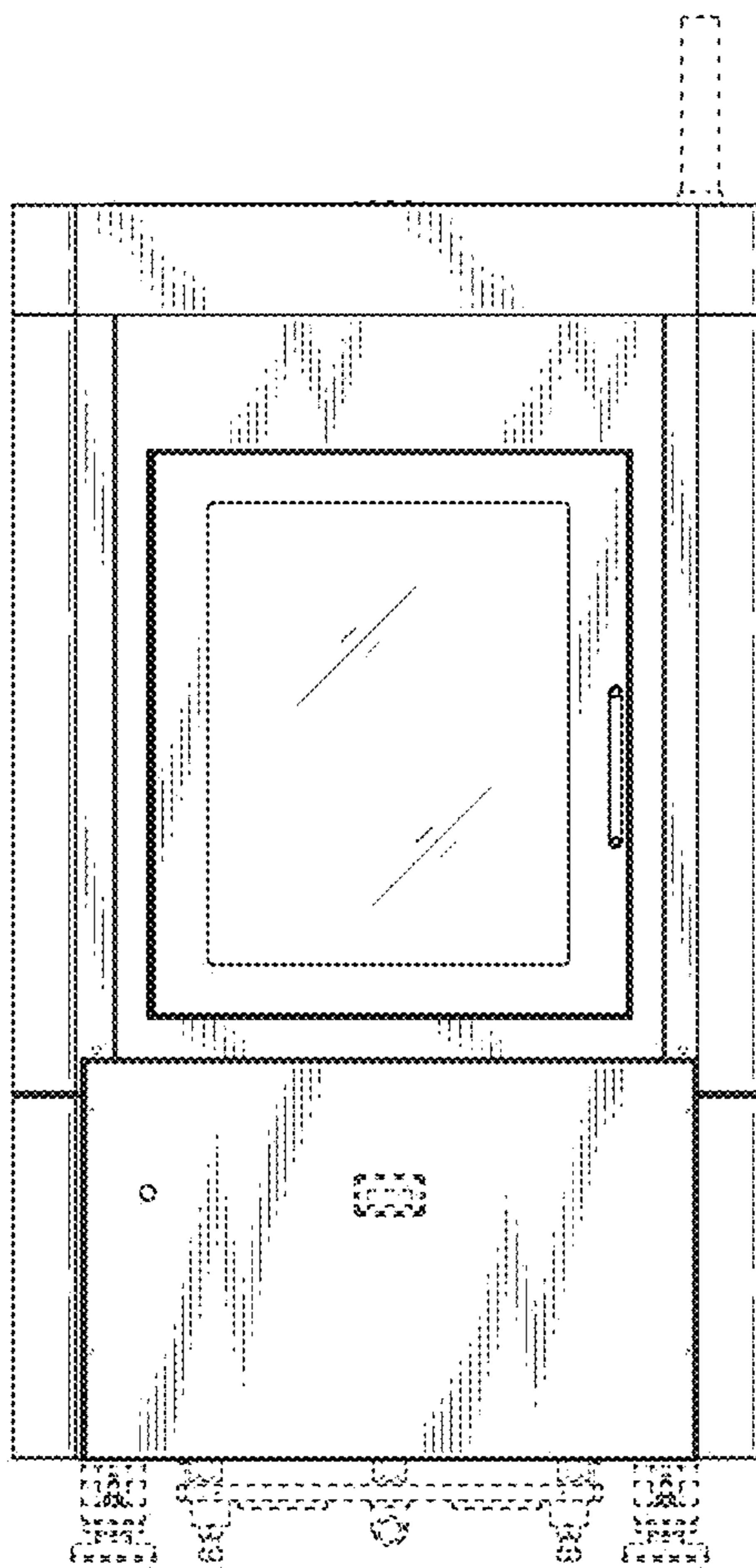


FIG. 5

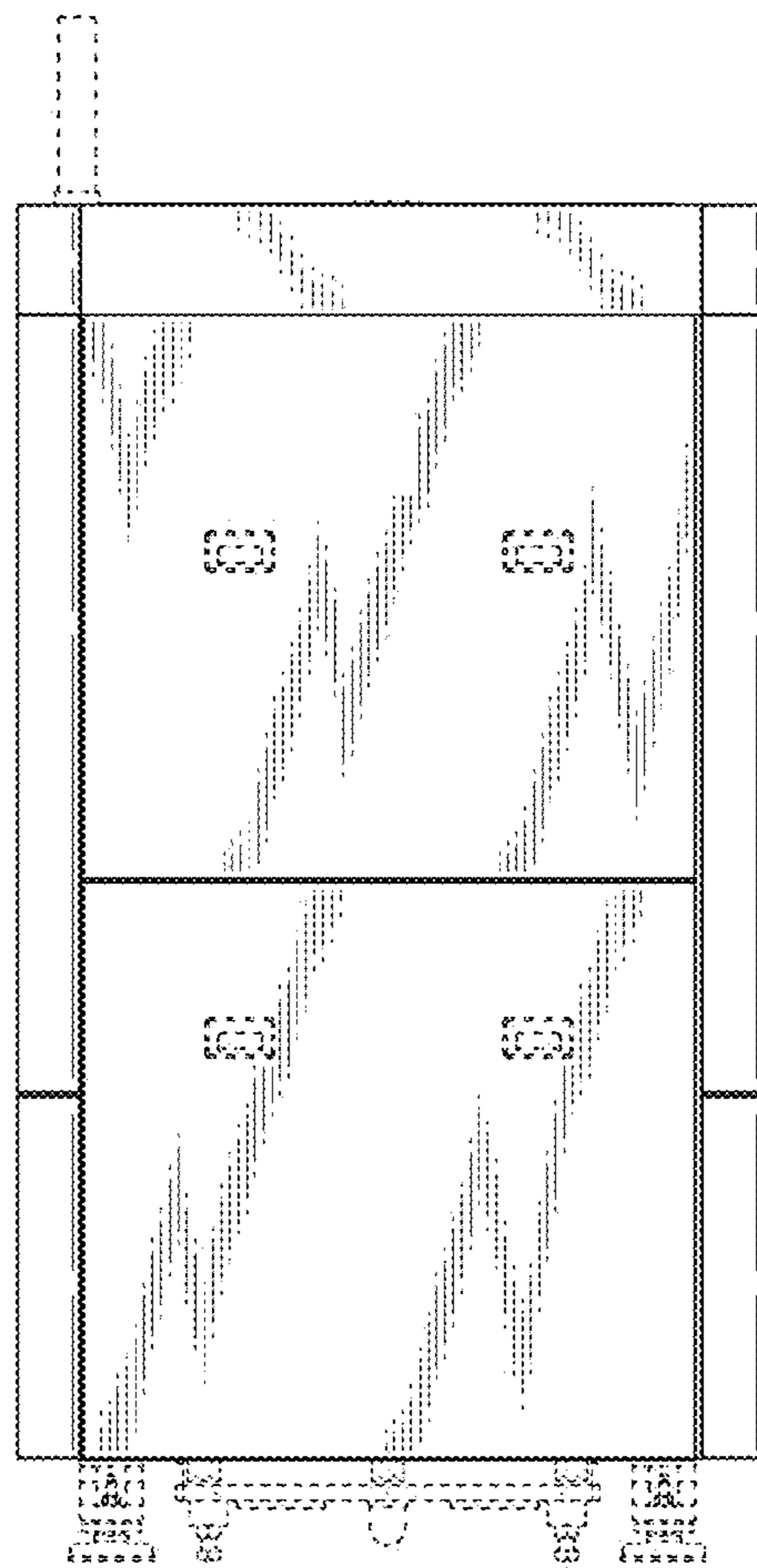


FIG. 6

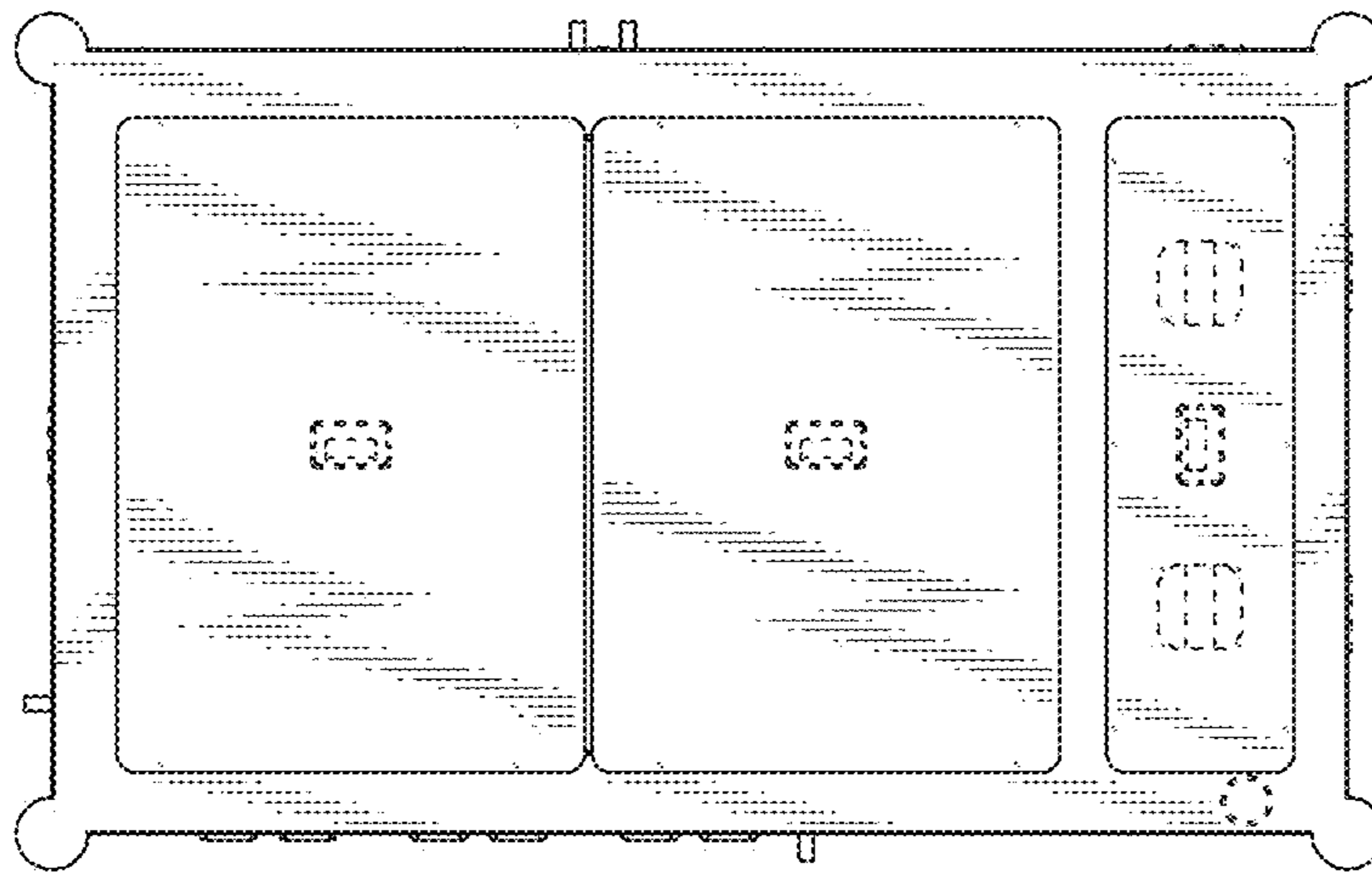


FIG. 7

