



US00D751610S

(12) **United States Design Patent**
Serrurier et al.

(10) **Patent No.:** **US D751,610 S**
(45) **Date of Patent:** **** Mar. 15, 2016**

- (54) **HEEL SHROUD**
- (71) Applicant: **Caterpillar Inc.**, Peoria, IL (US)
- (72) Inventors: **Douglas Serrurier**, Peoria, IL (US);
Arun Venugopal, Chennai (IN)
- (73) Assignee: **Caterpillar Inc.**, Peoria, IL (US)
- (**) Term: **14 Years**
- (21) Appl. No.: **29/508,614**
- (22) Filed: **Nov. 7, 2014**
- (51) **LOC (10) Cl.** **15-04**
- (52) **U.S. Cl.**
USPC **D15/28**
- (58) **Field of Classification Search**
USPC D15/11, 21, 28, 29, 32
CPC E02F 9/2883; E02F 3/76; E02F 3/28;
E02F 3/3417-3/358
See application file for complete search history.

- D700,632 S * 3/2014 Luyendijk et al. D15/29
- D726,775 S * 4/2015 Ley et al. D15/28
- D726,777 S * 4/2015 Ley et al. D15/28
- 2008/0092413 A1 4/2008 McClanahan et al.
- 2013/0160335 A1* 6/2013 Maher et al. 37/453
- 2014/0173949 A1 6/2014 Karlsson et al.

FOREIGN PATENT DOCUMENTS

WO WO 2011/156834 12/2011

OTHER PUBLICATIONS

Sandvik, Quick and Safe Heel Shroud Change Out, www.quarrymagazine.com/article.aspx?id=3813&h=Quick-and-safe-heel-shroud-change-out, available as early as Jun. 10, 2014.
Byg, Byg Mining Products, available as early as Jul. 9, 2014.

(Continued)

Primary Examiner — Mitchell Siegel

(74) *Attorney, Agent, or Firm* — Saidman DesignLaw Group, LLC

(57) **CLAIM**

The ornamental design for a heel shroud, as shown and described.

DESCRIPTION

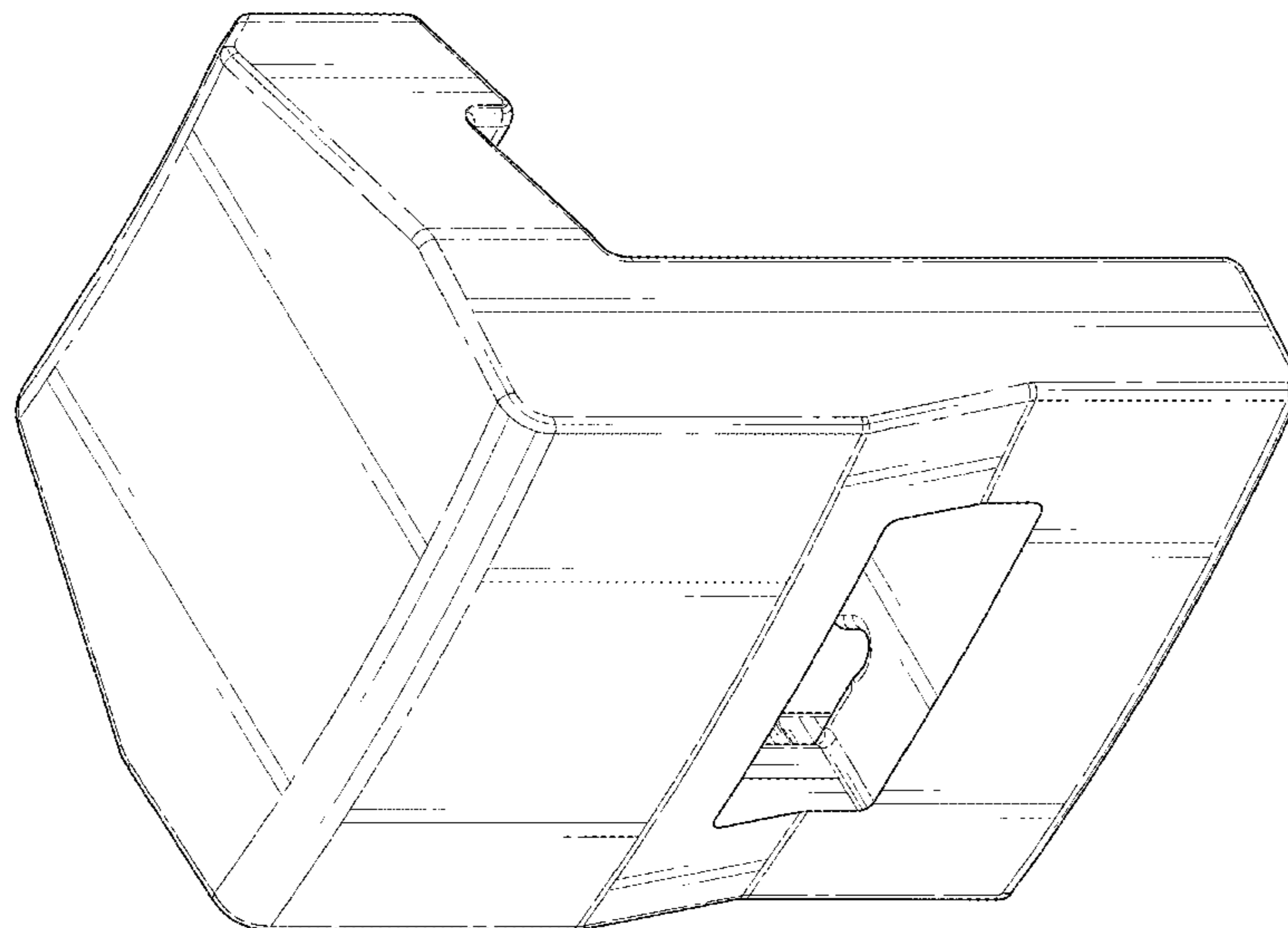
FIG. 1 is a perspective view of a heel shroud showing our new design;
FIG. 2 is another perspective view thereof;
FIG. 3 is a front view thereof;
FIG. 4 is a rear view thereof;
FIG. 5 is a left side view thereof;
FIG. 6 is a right side view thereof;
FIG. 7 is a top view thereof; and,
FIG. 8 is a bottom view thereof.
The drawings include surface shading that represents contour and not surface ornamentation.

1 Claim, 8 Drawing Sheets

(56) **References Cited**

U.S. PATENT DOCUMENTS

- 5,241,765 A 9/1993 Jones et al.
- D378,006 S * 2/1997 Clendenning D32/54
- D381,484 S * 7/1997 Clendenning D32/54
- 5,937,549 A 8/1999 Bender et al.
- 6,194,080 B1 2/2001 Stickling
- 6,393,739 B1 5/2002 Shamblin et al.
- 7,266,914 B2 * 9/2007 Grant 37/446
- 7,275,338 B2 * 10/2007 LaHood 37/449
- D567,825 S * 4/2008 Clendenning et al. D15/29
- D567,826 S * 4/2008 Clendenning et al. D15/29
- D567,827 S * 4/2008 Clendenning et al. D15/29
- D576,644 S * 9/2008 Clendenning et al. D15/29
- D643,049 S * 8/2011 Nickels et al. D15/28
- 8,356,432 B2 1/2013 Carpenter
- D676,066 S * 2/2013 Attwood et al. D15/28
- D676,067 S * 2/2013 Attwood et al. D15/28
- D676,465 S * 2/2013 Attwood et al. D15/28



(56)

References Cited

Utility U.S. Appl. No. 62/076,966, filed Nov. 7, 2014, entitled

OTHER PUBLICATIONS

“Mounting Base for Wear Member.”

Utility U.S. Appl. No. 62/076,969, filed Nov. 7, 2014, entitled “Wear
Member for Tool.”

* cited by examiner

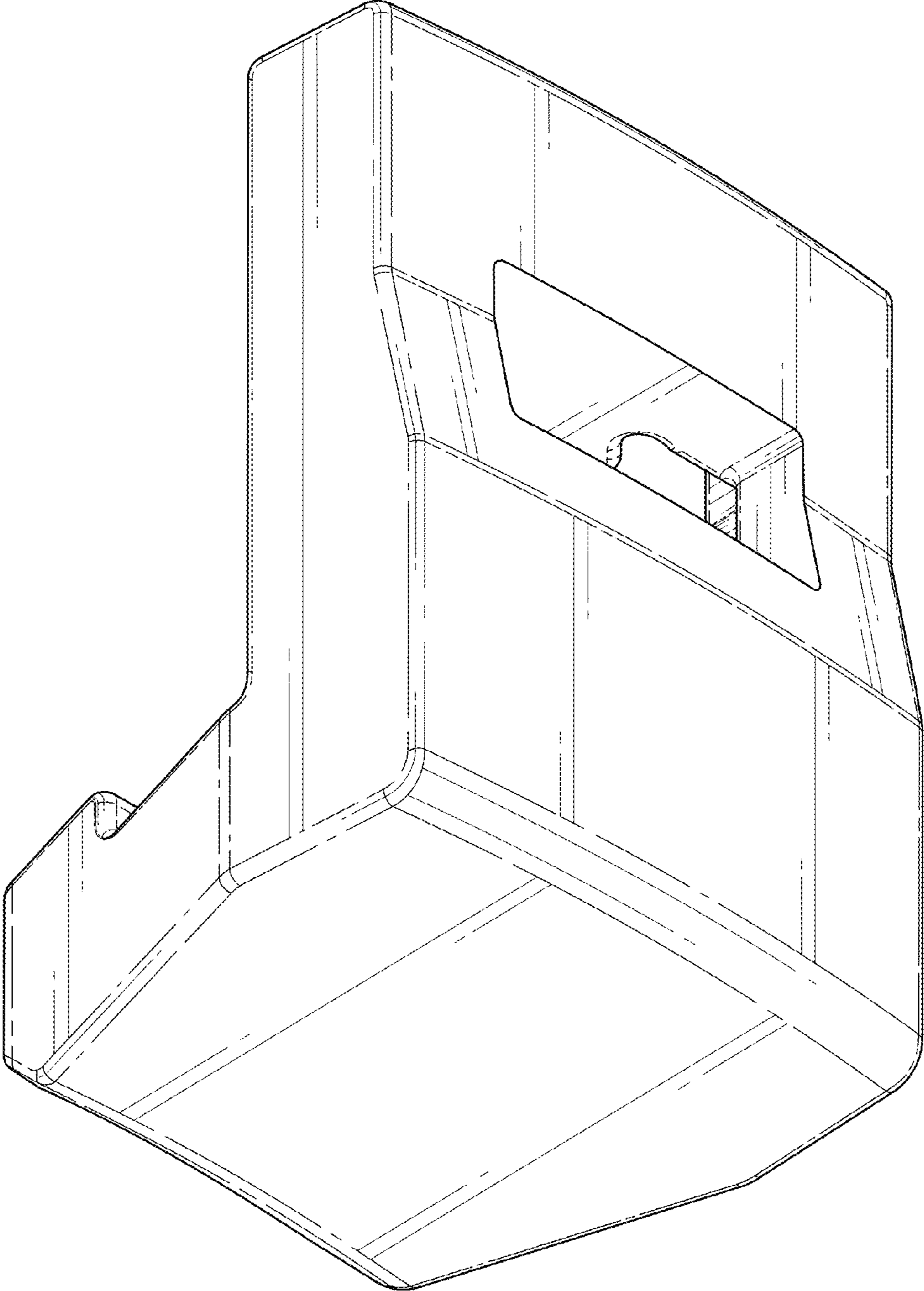


FIG. 1

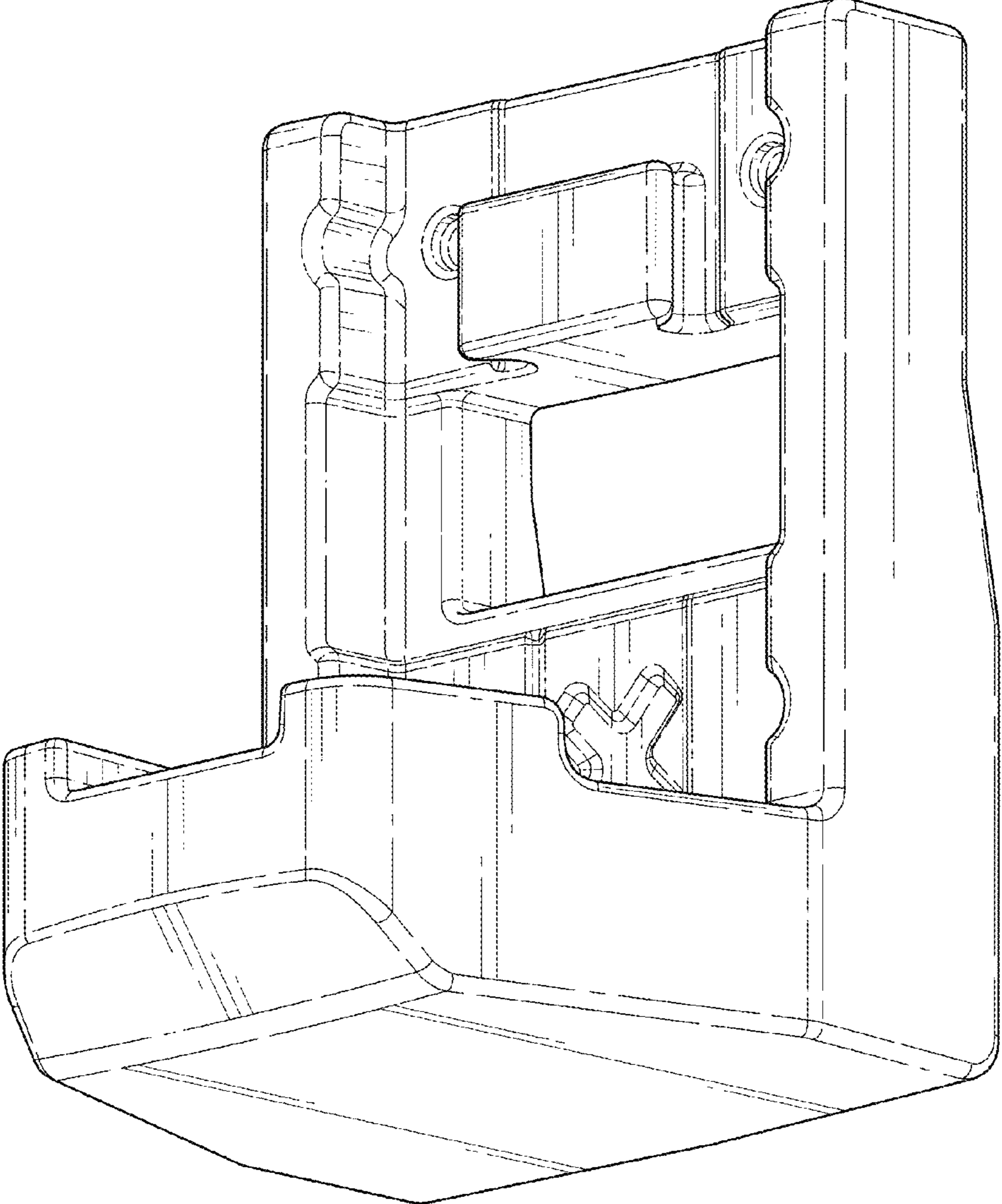


FIG. 2

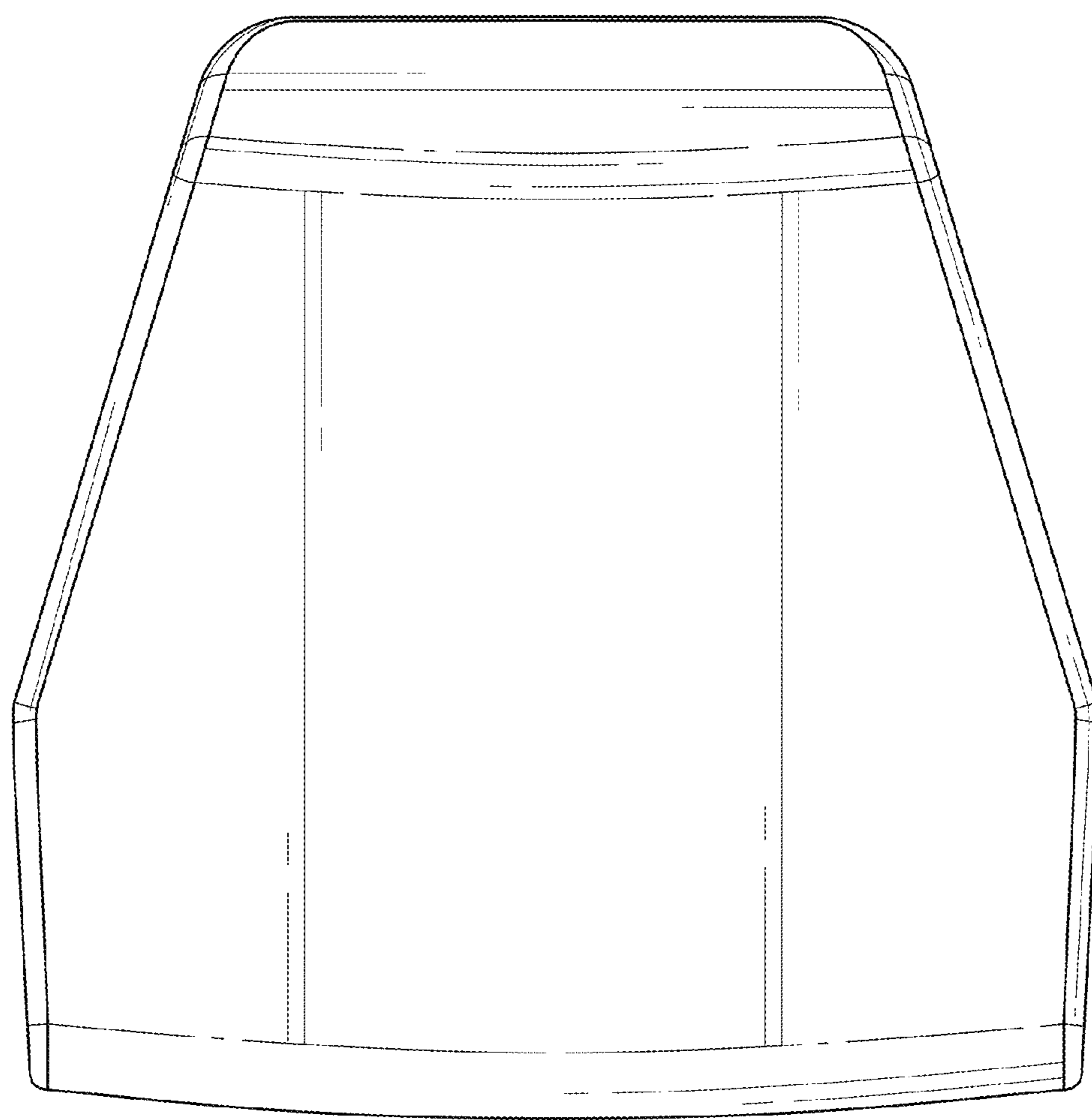


FIG. 3

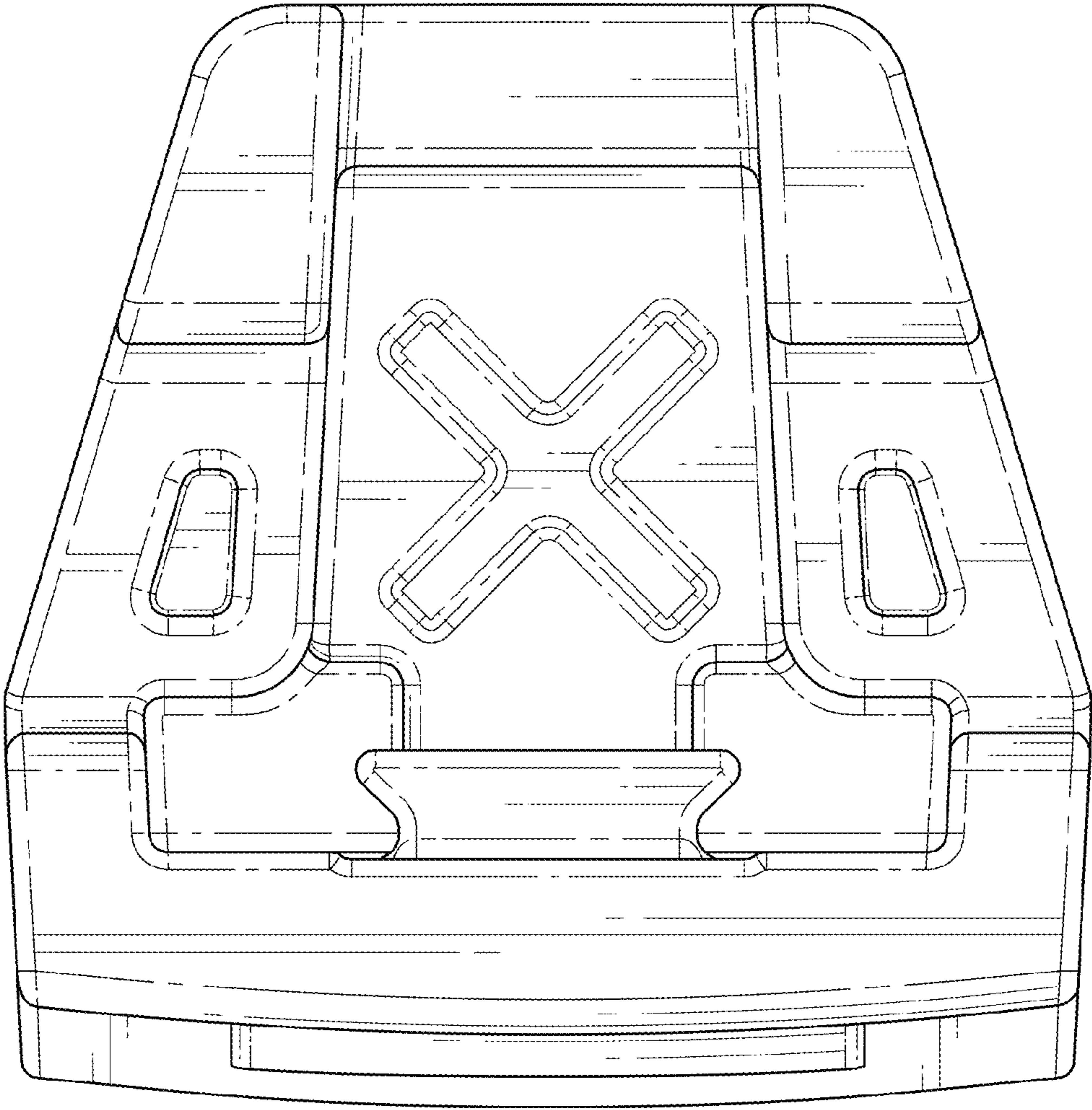


FIG. 4

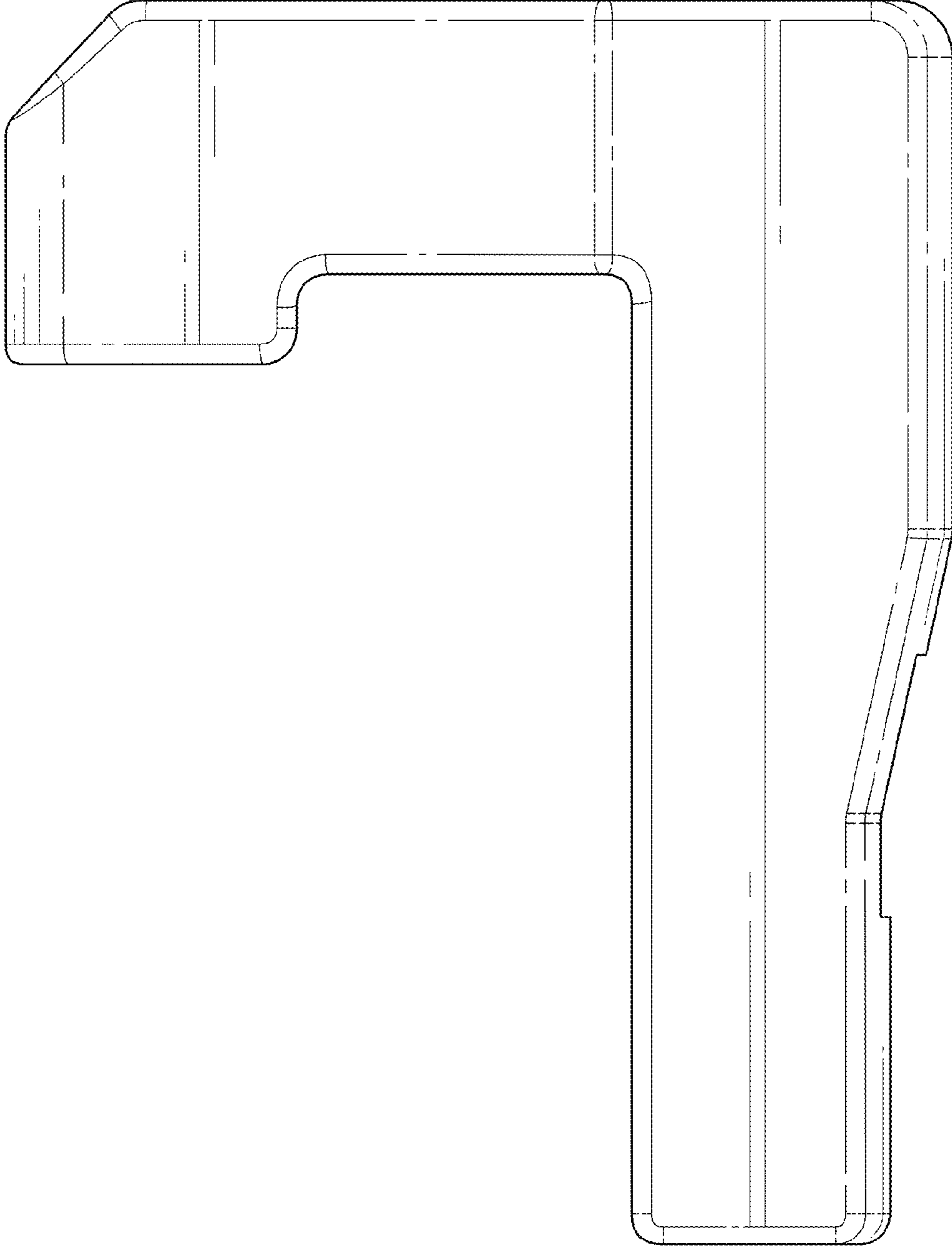


FIG. 5

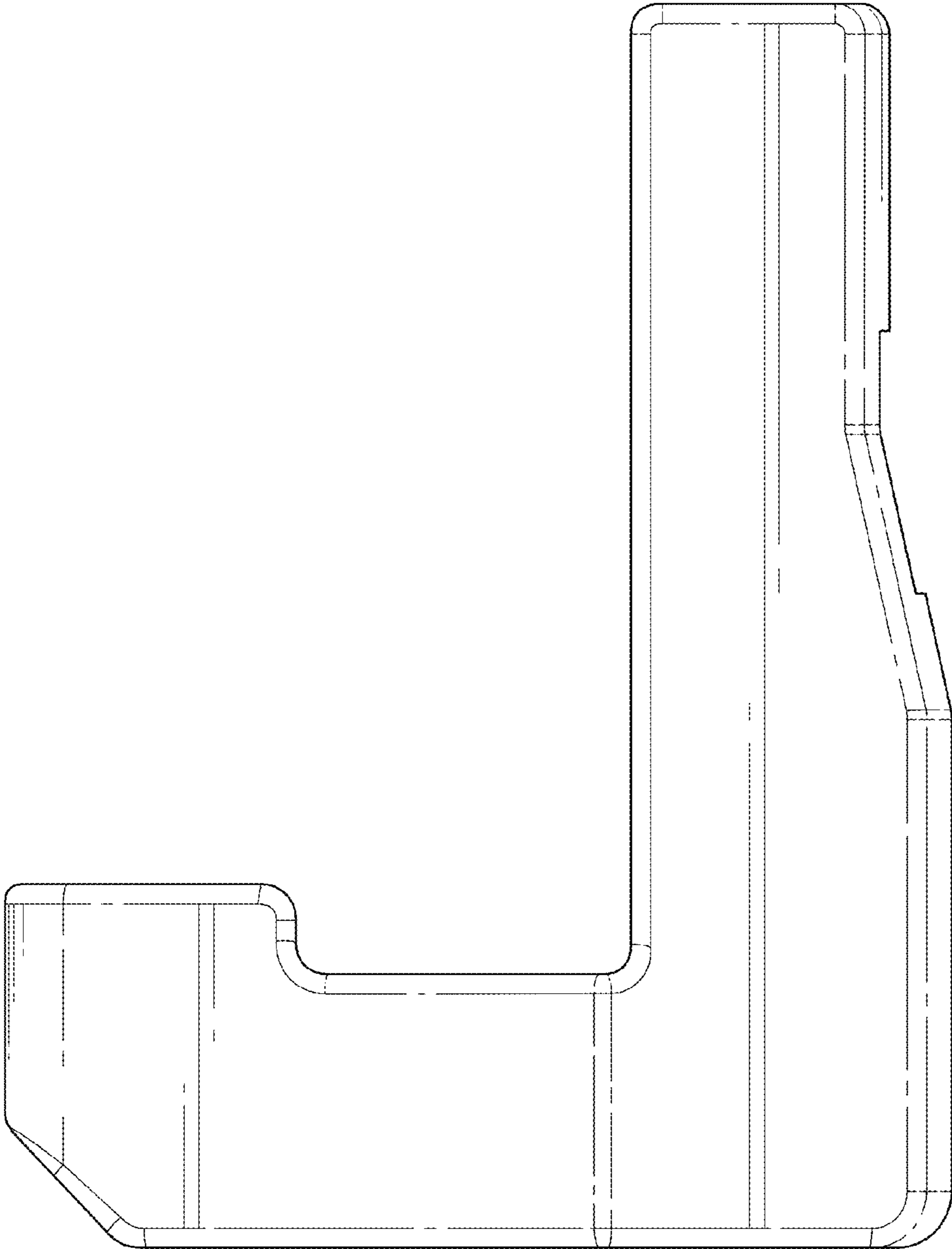


FIG. 6

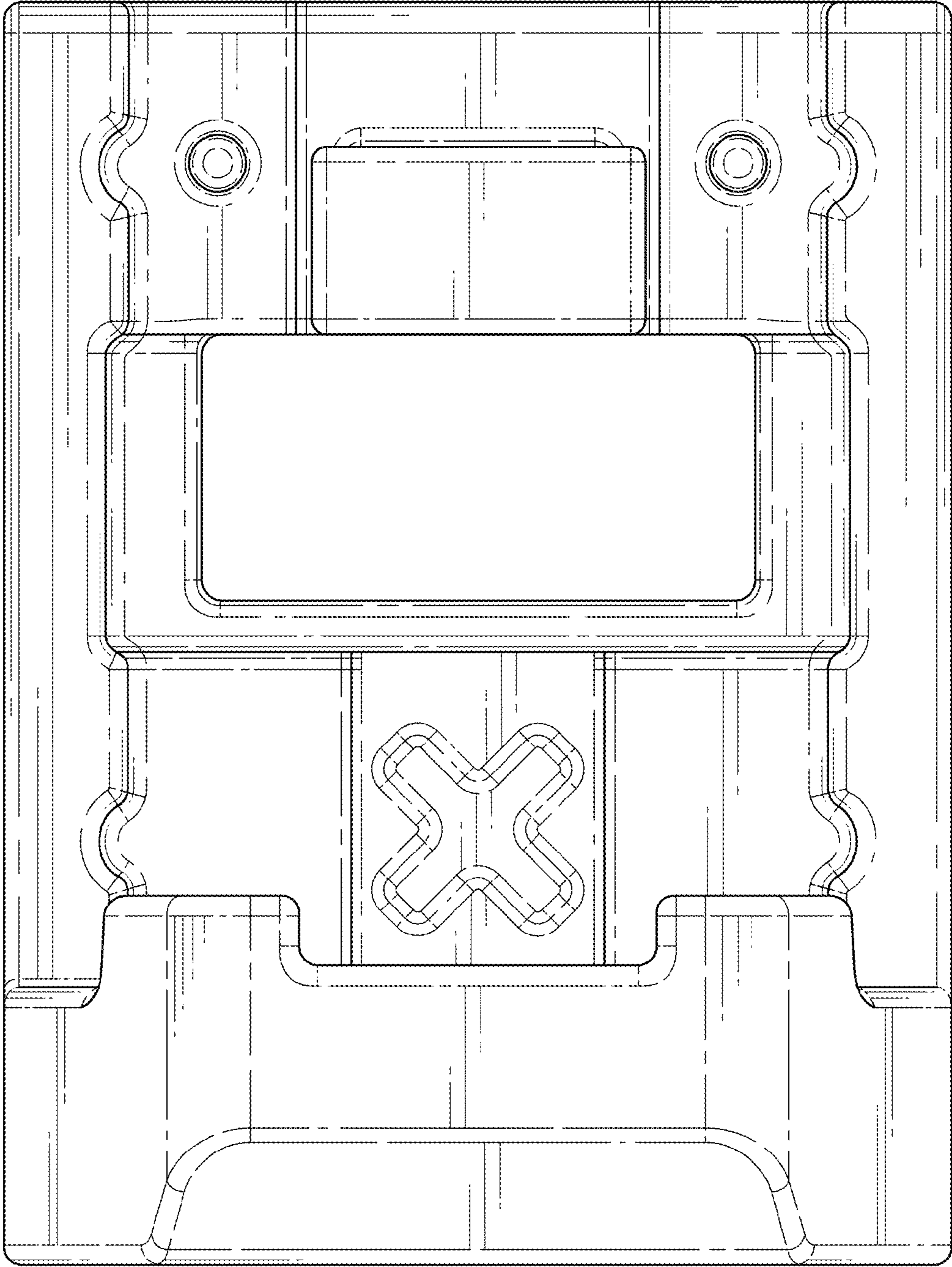


FIG. 7

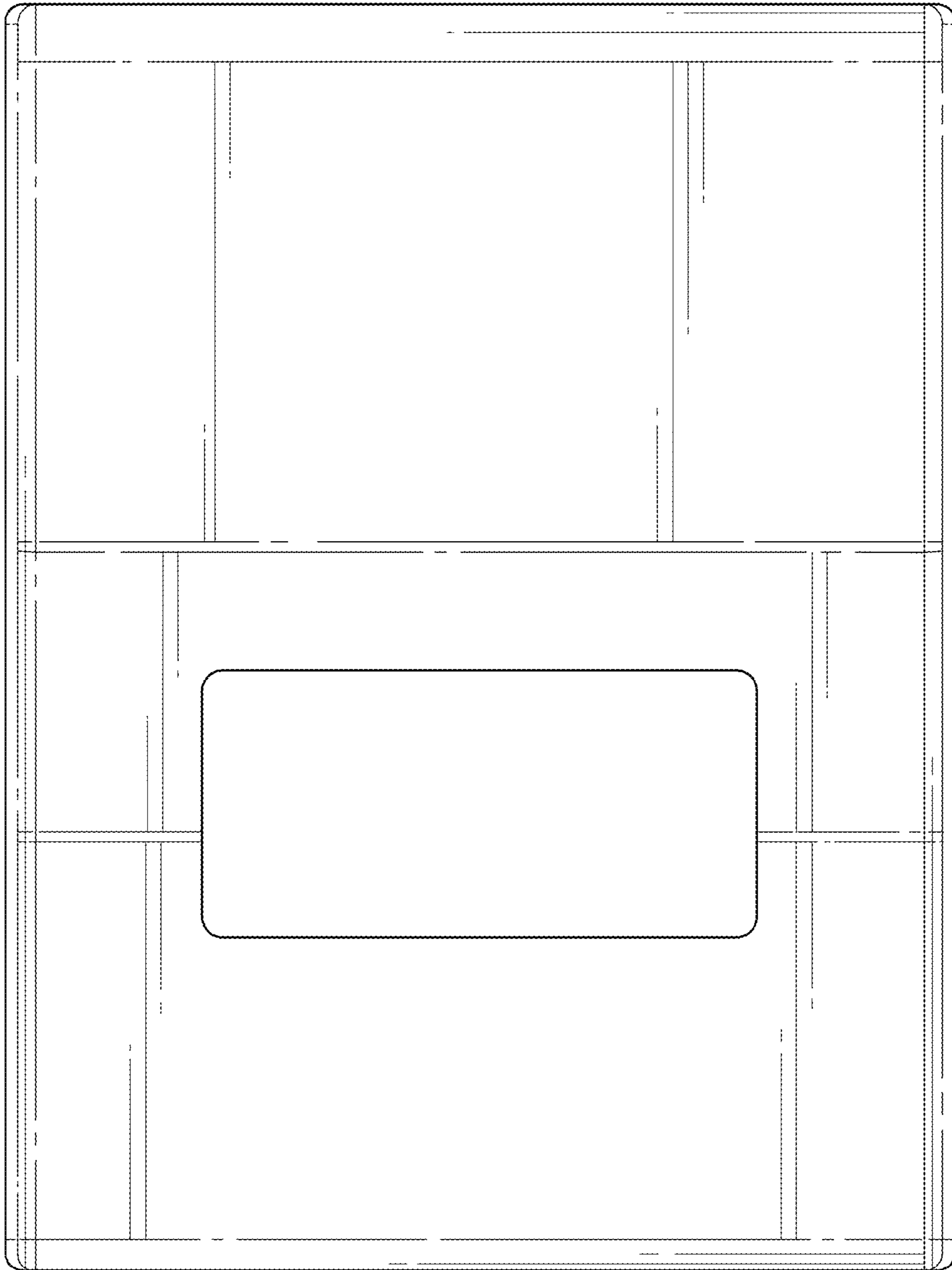


FIG. 8