



US00D751608S

(12) **United States Design Patent**  
**Nishimura et al.**

(10) **Patent No.:** **US D751,608 S**  
(45) **Date of Patent:** **\*\* Mar. 15, 2016**

- (54) **GRAIN WASHING MACHINE**
- (71) Applicant: **Satake Corporation**, Chiyoda-ku, Tokyo (JP)
- (72) Inventors: **Akiko Nishimura**, Tokyo (JP); **Shoji Sowa**, Tokyo (JP)
- (73) Assignee: **SATAKE CORPORATION**, Chiyoda-ku, Tokyo (JP)

1,403,092	A *	1/1922	Miller et al.	209/173
1,593,174	A *	7/1926	Hunt	134/25.3
1,622,580	A *	3/1927	Geddes	209/157
2,788,124	A *	4/1957	Miller	209/693
4,140,630	A *	2/1979	Scarlett et al.	209/313
4,186,836	A *	2/1980	Wassmer et al.	209/565
4,322,932	A *	4/1982	McGregor	53/505
4,385,700	A *	5/1983	Hodges et al.	209/539
D556,795	S *	12/2007	Bee	D15/122
D560,233	S *	1/2008	Bee	D15/122

\* cited by examiner

(\*\*) Term: **14 Years**

*Primary Examiner* — Mitchell Siegel

(21) Appl. No.: **29/496,295**

(74) *Attorney, Agent, or Firm* — Taft Stettinius & Hollister LLP

(22) Filed: **Jul. 11, 2014**

(30) **Foreign Application Priority Data**

Jan. 24, 2014 (JP) ..... 2014-001289

(51) **LOC (10) Cl.** ..... **15-03**

(52) **U.S. Cl.**  
USPC ..... **D15/10**

(58) **Field of Classification Search**  
USPC ..... D15/10, 122, 131; D32/1  
CPC ..... B02B 1/00-1/08; B07B 1/55  
See application file for complete search history.

(56) **References Cited**

**U.S. PATENT DOCUMENTS**

1,400,664 A \* 12/1921 Dawson ..... 134/61

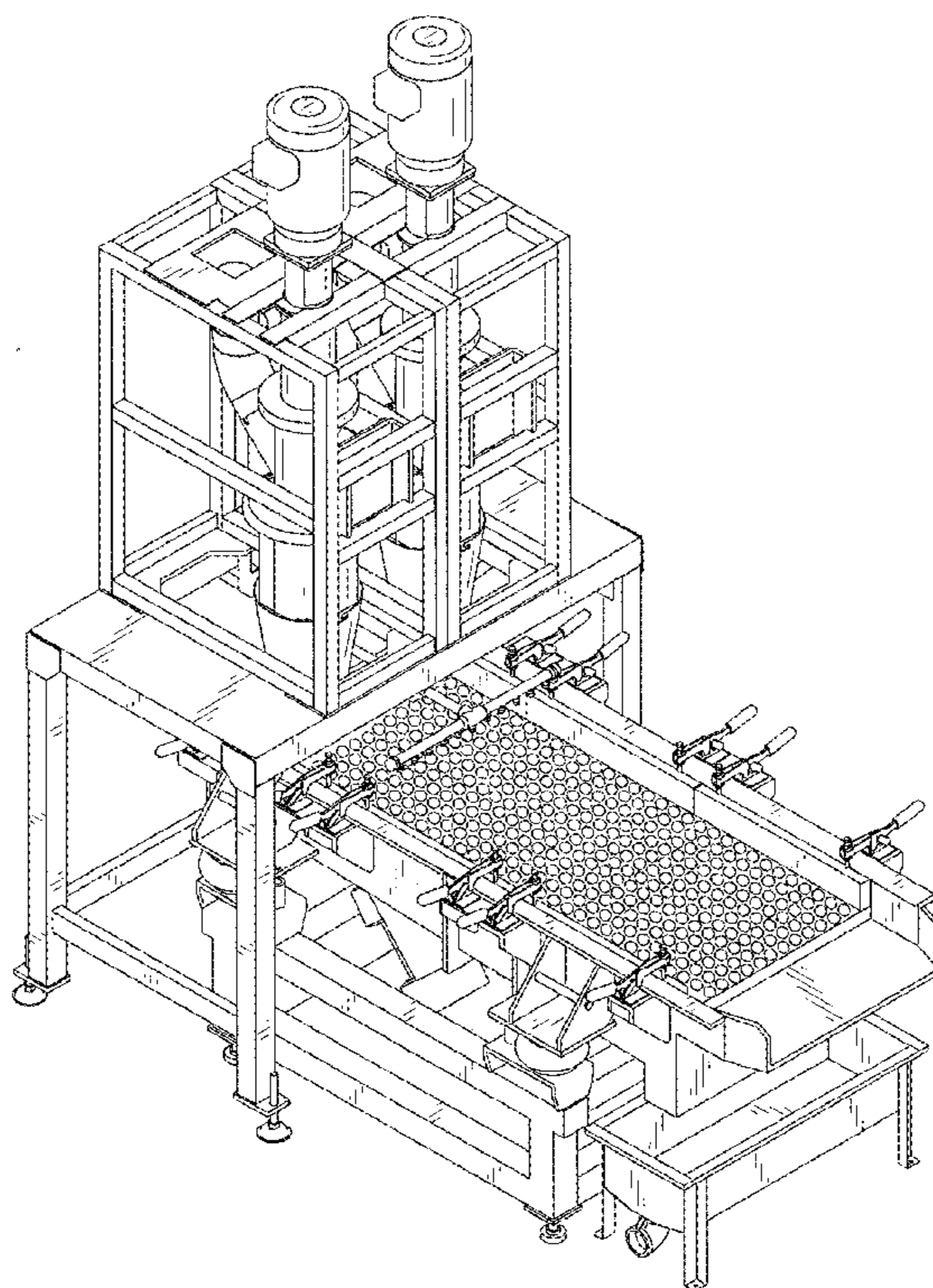
(57) **CLAIM**

The ornamental design for a grain washing machine, as shown and described.

**DESCRIPTION**

FIG. 1 is a perspective view of a grain washing machine showing the new design;  
FIG. 2 is a front view thereof;  
FIG. 3 is a rear view thereof;  
FIG. 4 is a left side view thereof;  
FIG. 5 is right side view thereof;  
FIG. 6 is top plan view thereof; and,  
FIG. 7 is bottom plan view thereof.

**1 Claim, 7 Drawing Sheets**



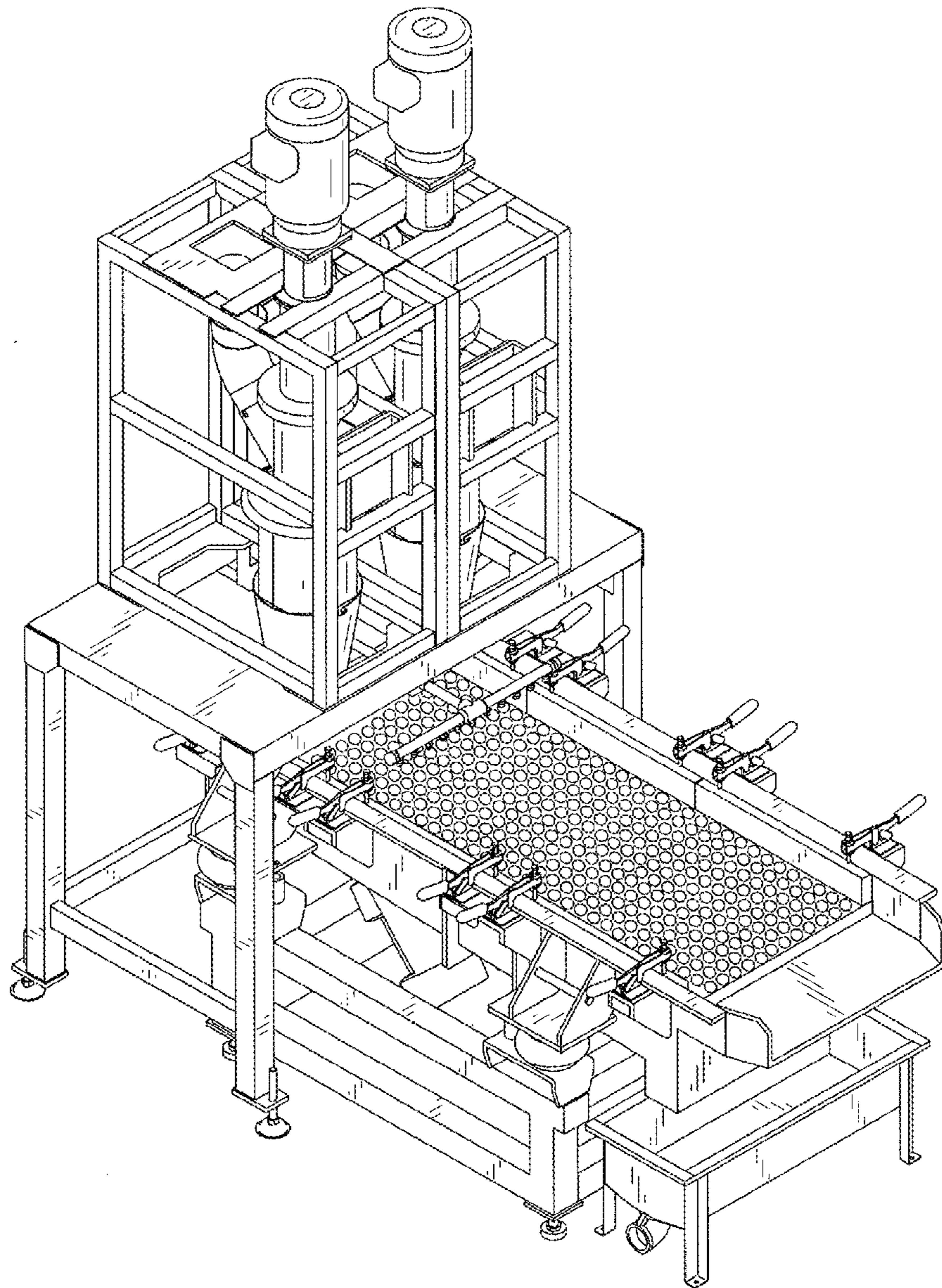


FIG. 1

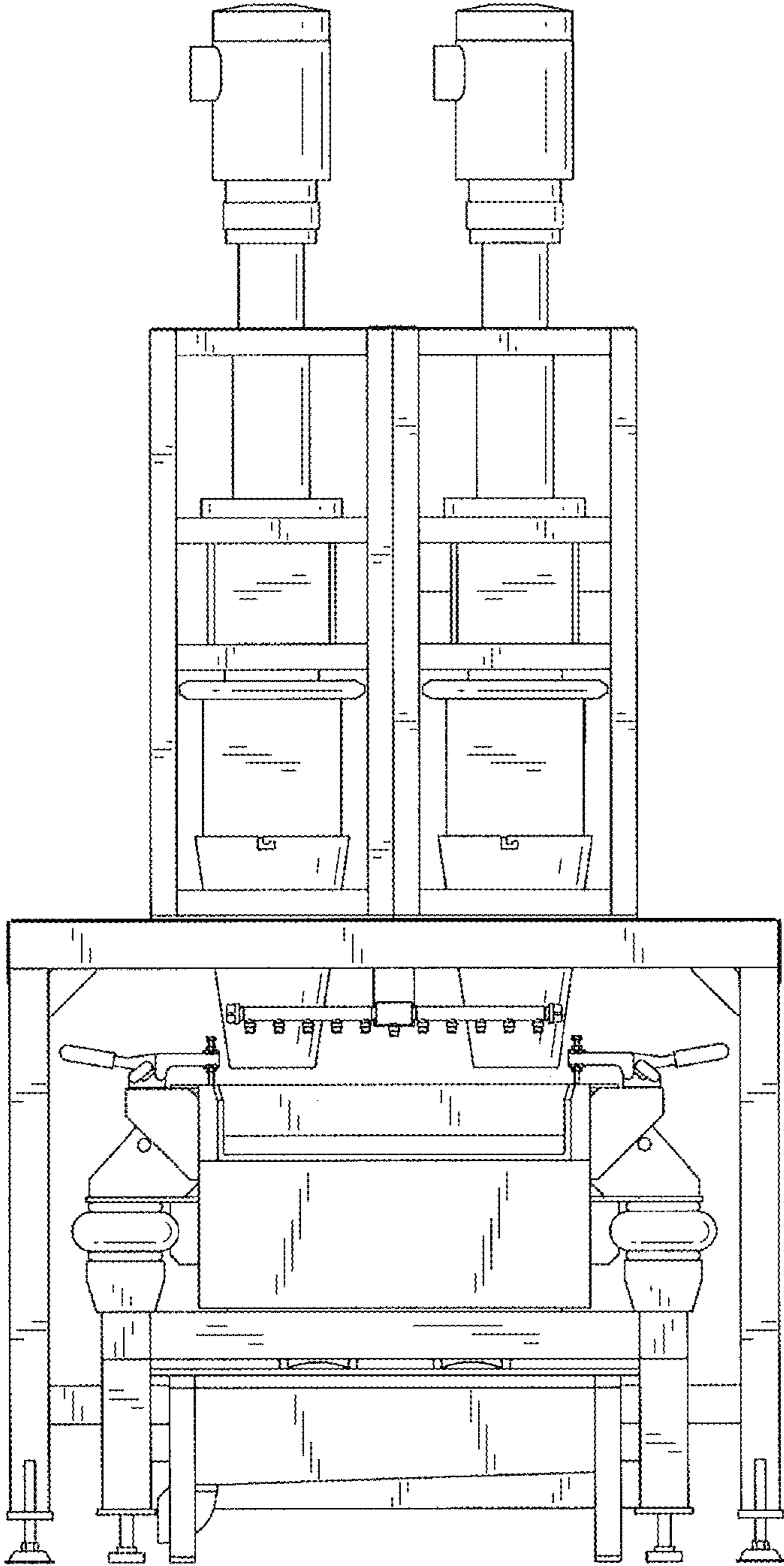


FIG. 2

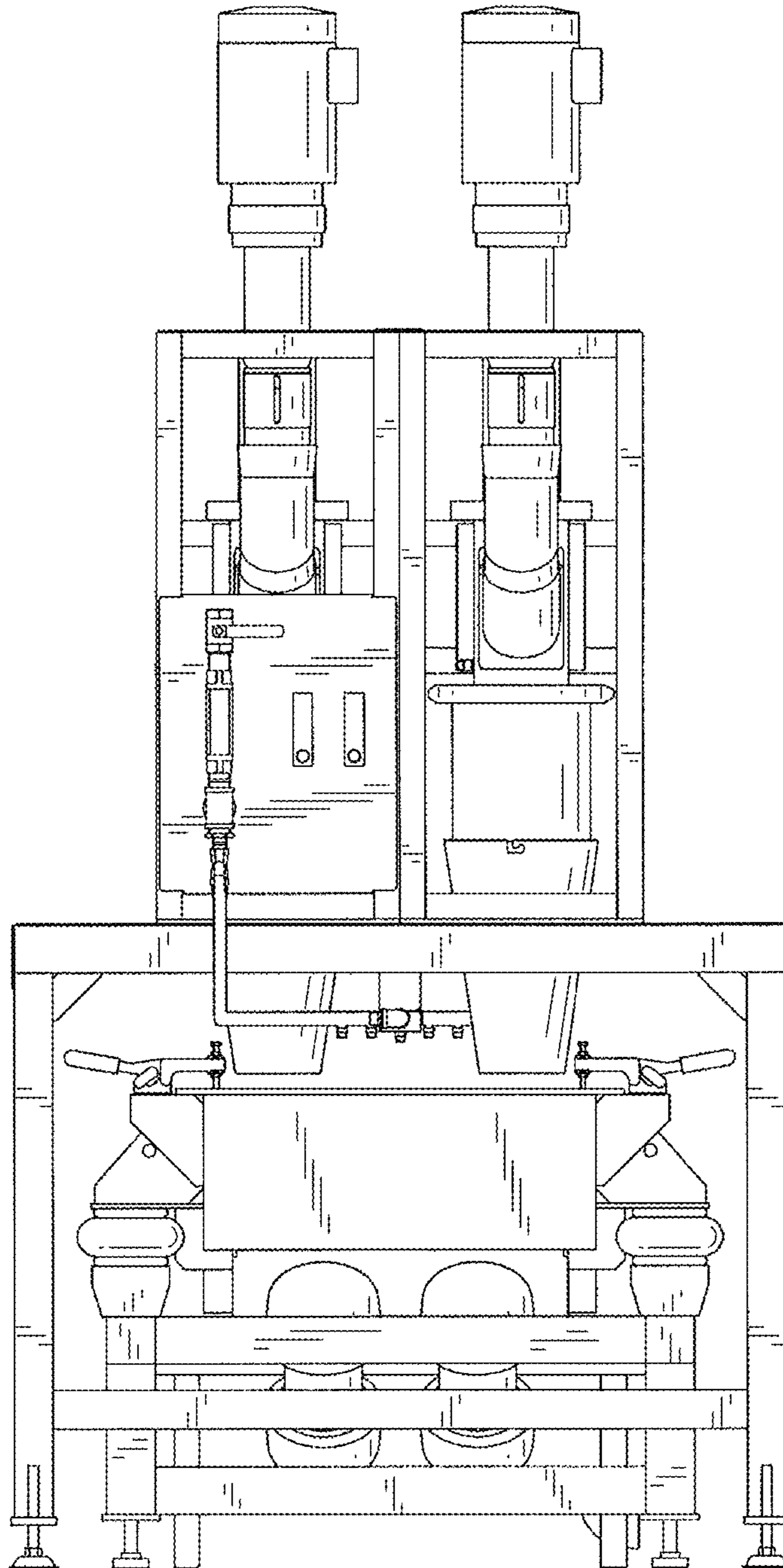


FIG. 3

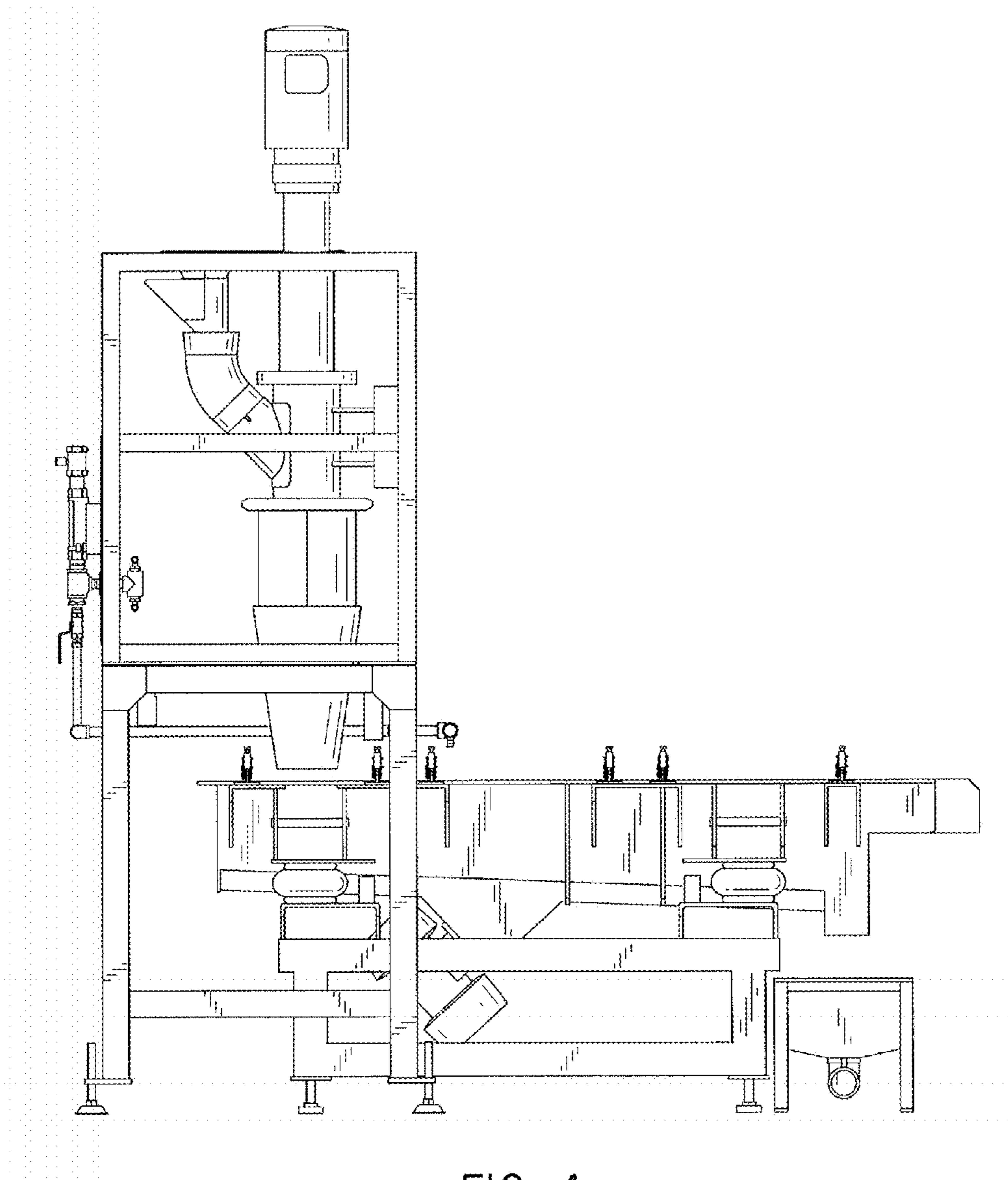


FIG. 4

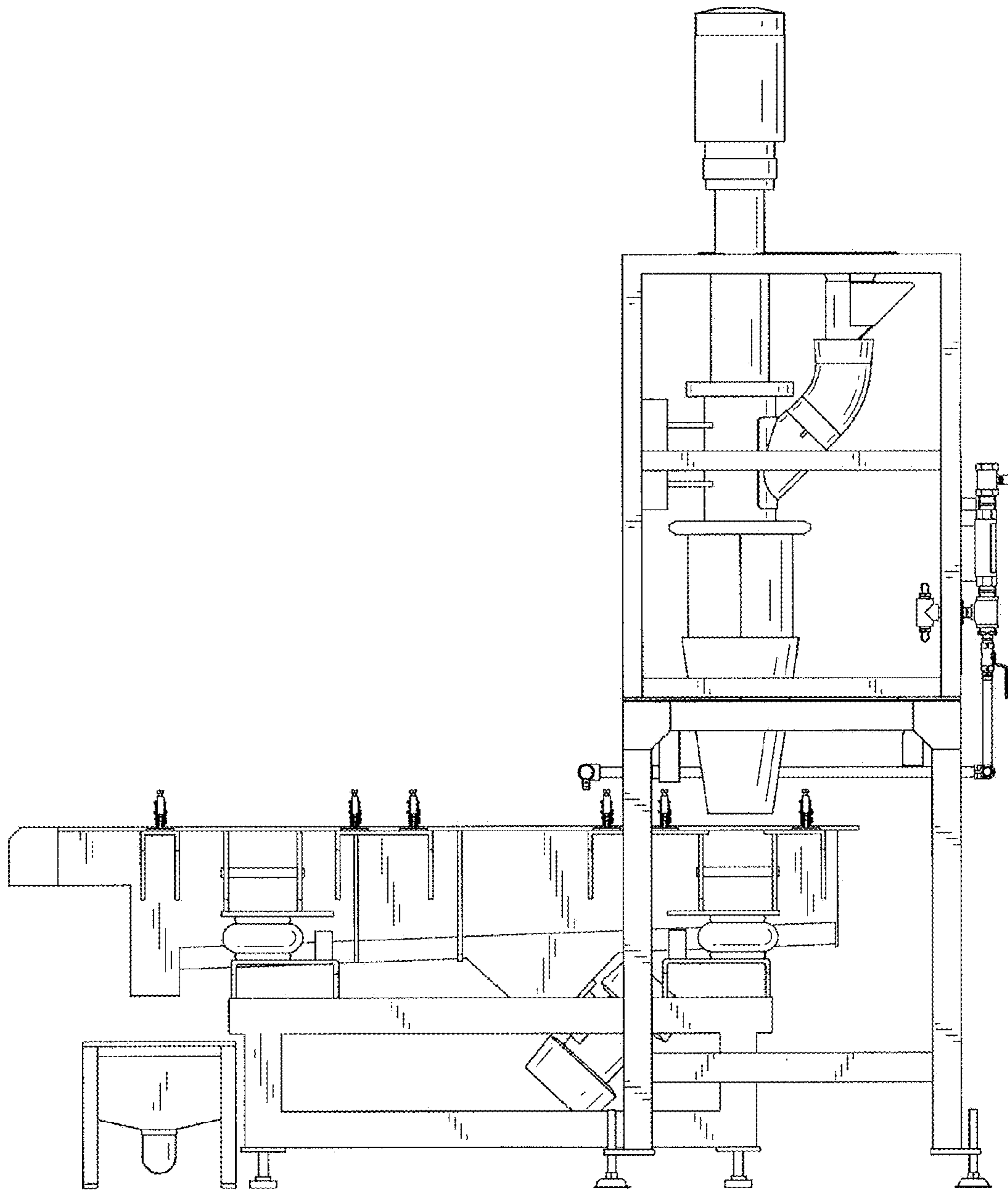


FIG. 5

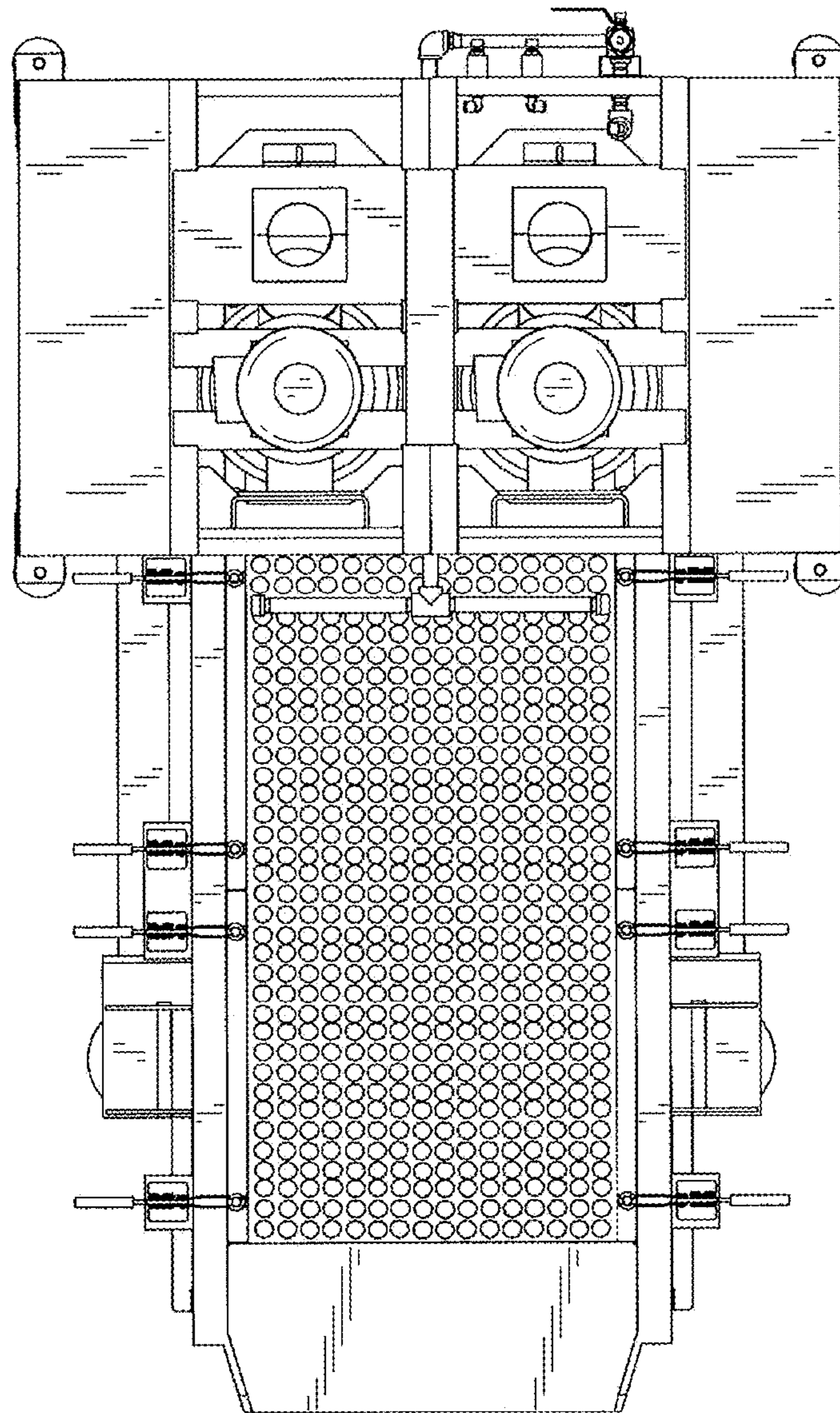


FIG. 6

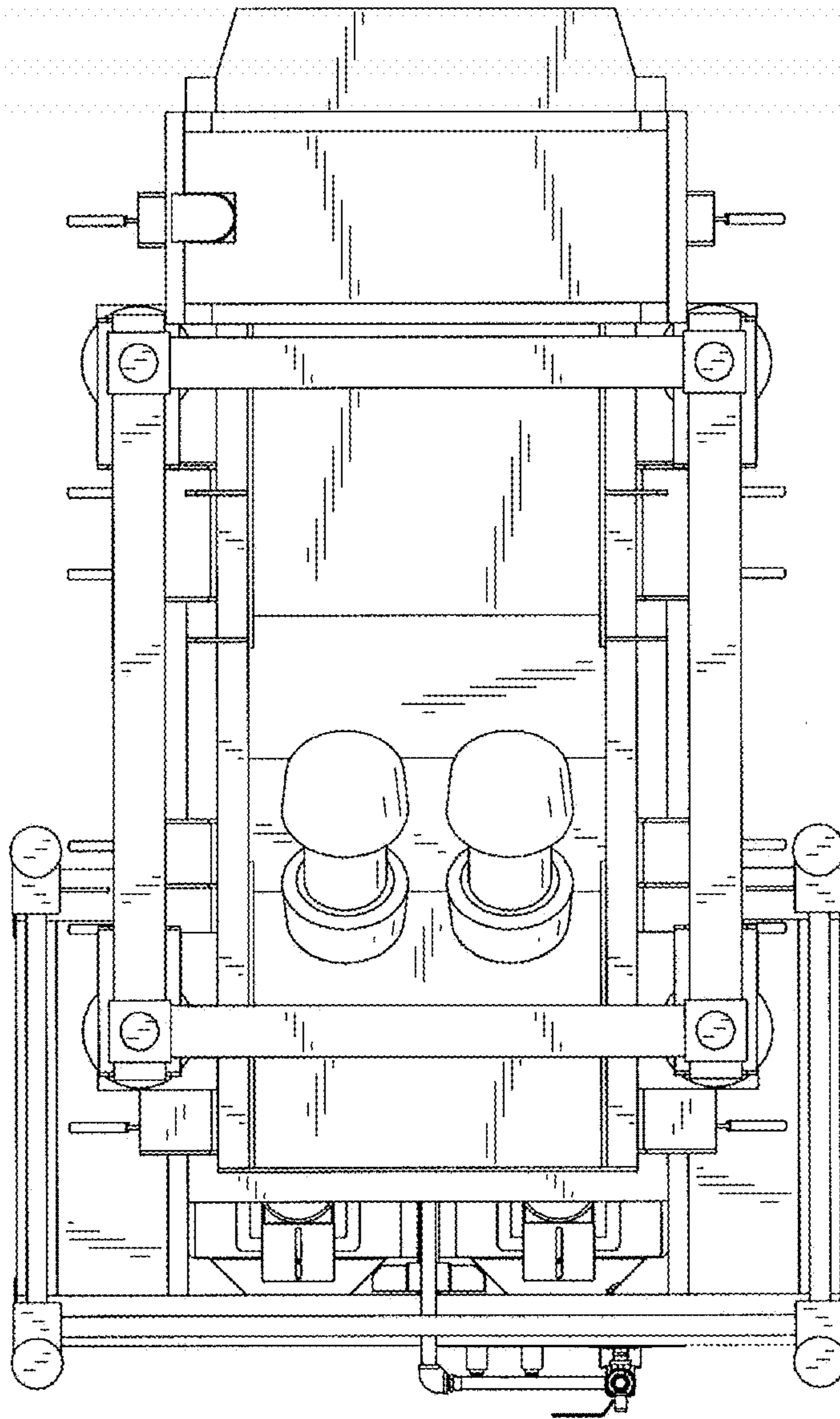


FIG. 7