

US00D751597S

(12) **United States Design Patent**
Pasceri et al.

(10) **Patent No.:** **US D751,597 S**
(45) **Date of Patent:** **** Mar. 15, 2016**

(54) **DISPLAY SCREEN WITH GRAPHICAL USER INTERFACE**

(71) Applicant: **Microsoft Corporation**, Redmond, WA (US)

(72) Inventors: **Vincent J. Pasceri**, Bothell, WA (US);
Diego D. Baca Del Rosario, Seattle, WA (US)

(73) Assignee: **Microsoft Corporation**, Redmond, WA (US)

(**) Term: **14 Years**

(21) Appl. No.: **29/499,820**

(22) Filed: **Aug. 19, 2014**

Related U.S. Application Data

(62) Division of application No. 29/413,986, filed on Feb. 23, 2012, now Pat. No. Des. 715,819.

(51) **LOC (10) Cl.** **14-04**

(52) **U.S. Cl.**
USPC **D14/486**

(58) **Field of Classification Search**
USPC D14/485-95; D18/24-33; D19/6, 52;
D20/11; D21/324-33; 715/700-867,
715/973-77

CPC G06F 3/048-3/04897
See application file for complete search history.

(56) **References Cited**

U.S. PATENT DOCUMENTS

D404,728 S	1/1999	Mullin	
D425,497 S	5/2000	Eisenberg et al.	
D428,398 S	7/2000	Coleman	
D454,139 S *	3/2002	Feldcamp	D14/486
6,501,485 B1 *	12/2002	Dash	B41J 2/1752 399/81

D496,667 S	9/2004	Hoglund	
D499,740 S *	12/2004	Ombao	D14/487
D521,018 S	5/2006	Hone et al.	
D526,655 S *	8/2006	McDougall	D14/485
D531,186 S	10/2006	Sauter	
D535,659 S	1/2007	Hally et al.	
D542,299 S	5/2007	Sadler et al.	
D554,141 S	10/2007	Armendariz	
D560,680 S	1/2008	Armendariz	
D568,336 S	5/2008	Miglietta et al.	
D569,873 S *	5/2008	Borovsky	D14/487
D570,364 S *	6/2008	Myers	D14/487
D570,866 S *	6/2008	Borovsky	D14/487
D574,010 S *	7/2008	Borovsky	D14/487
D578,135 S	10/2008	Nathan et al.	
D578,543 S *	10/2008	Ulm	D14/487
D582,427 S	12/2008	Neuhaus	
D588,150 S *	3/2009	Stone	D14/486
D593,580 S	6/2009	Truelove et al.	
D597,551 S *	8/2009	Stone	D14/486
D605,653 S *	12/2009	Danton	D14/485
D605,657 S	12/2009	Danton	
7,818,687 B2	10/2010	Brouaux	
7,886,234 B2	2/2011	Shih et al.	
D633,515 S *	3/2011	Soegiono	D14/487

(Continued)

Primary Examiner — Melanie H Tung

(74) *Attorney, Agent, or Firm* — Banner & Witcoff, Ltd.

(57) **CLAIM**

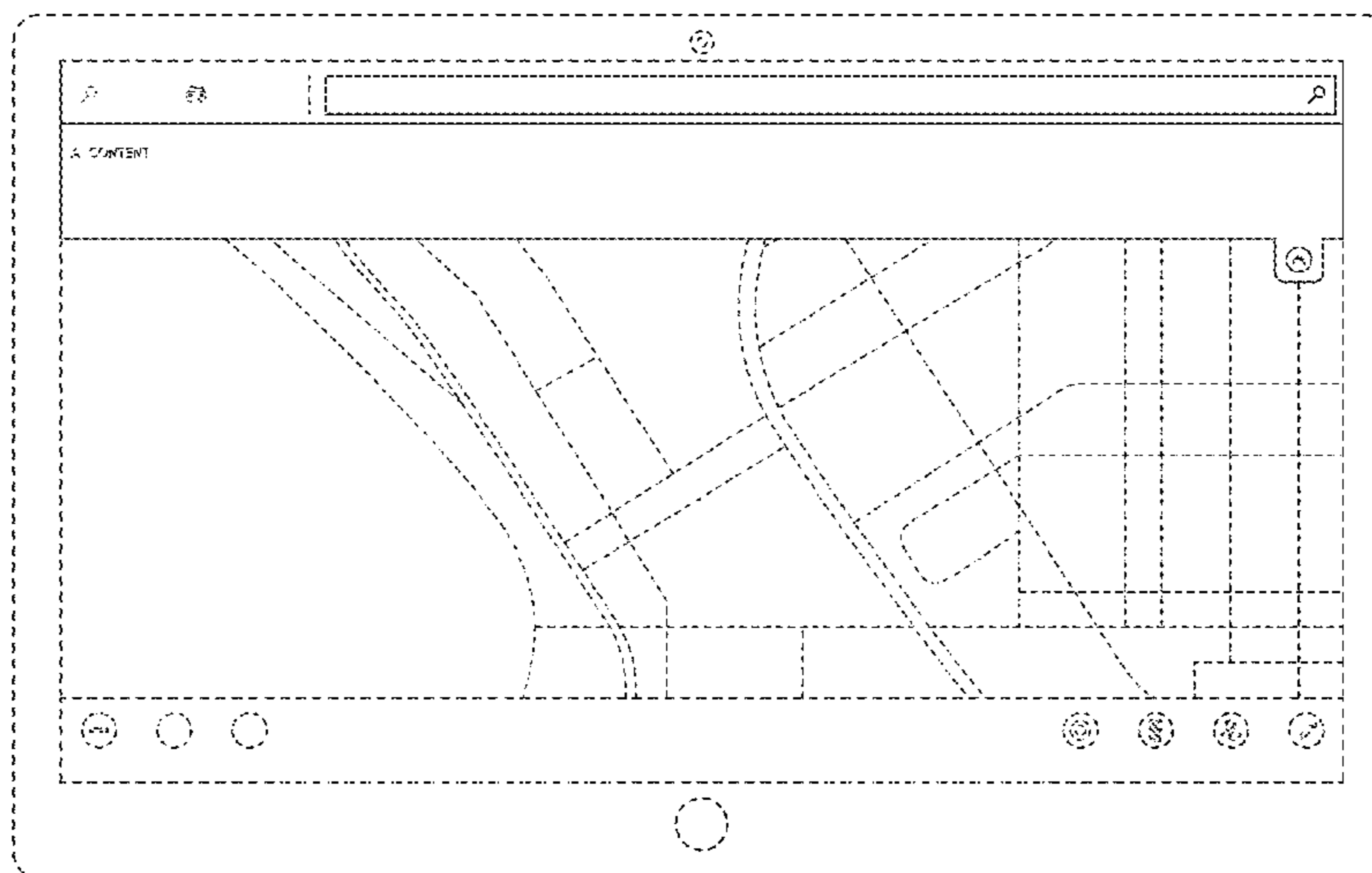
The ornamental design for a display screen with graphical user interface, as shown and described.

DESCRIPTION

FIG. 1 is a front view of a display screen with graphical user interface showing the new design; and, FIG. 2 is a front view of a display screen with graphical user interface showing an alternative embodiment of the new design.

The broken line showing of the text, circles, graphic elements, and the display screen is for environmental purposes only and forms no part of the claimed design.

1 Claim, 2 Drawing Sheets



(56)

References Cited

U.S. PATENT DOCUMENTS

D633,516 S *	3/2011	Soegiono	D14/487	D706,793 S *	6/2014	Nations	D14/486
D636,398 S	4/2011	Matas		D706,797 S *	6/2014	Talbot	D14/486
D636,782 S *	4/2011	Basapur	D14/486	D708,196 S *	7/2014	Pasceri	D14/486
D640,274 S	6/2011	Arnold		D708,197 S *	7/2014	Pasceri	D14/486
D643,043 S *	8/2011	Loken	D14/486	D708,198 S *	7/2014	Pasceri	D14/486
D648,735 S	11/2011	Arnold et al.		D711,400 S *	8/2014	Nations	D14/486
D652,840 S	1/2012	Morsa		D711,407 S *	8/2014	Holz	D14/486
D655,303 S	3/2012	Shallcross et al.		D712,417 S *	9/2014	Nations	D14/486
D655,719 S	3/2012	Zaman et al.		D744,510 S *	12/2015	Hwang	D14/486
8,146,077 B2	3/2012	McNally et al.		2004/0135809 A1 *	7/2004	Lehman	G09B 1/00 715/767
D658,674 S	5/2012	Shallcross et al.		2005/0015732 A1	1/2005	Vedula et al.	
D659,706 S *	5/2012	David	D14/487	2009/0049408 A1	2/2009	Naaman et al.	
D665,405 S *	8/2012	Williams	D14/487	2009/0117921 A1	5/2009	Beydler et al.	
D665,406 S *	8/2012	Williams	D14/487	2009/0132316 A1	5/2009	Florance et al.	
D665,407 S *	8/2012	Bitran	D14/487	2009/0228379 A1	9/2009	Honts et al.	
D670,726 S *	11/2012	Bitran	D14/487	2010/0083173 A1	4/2010	Germann et al.	
8,321,804 B2	11/2012	Castelli et al.		2010/0094659 A1	4/2010	Schoenberg	
D676,865 S	2/2013	Phelan		2010/0185929 A1	7/2010	Colner	
D677,680 S *	3/2013	Edwards	D14/485	2010/0211578 A1	8/2010	Lundberg et al.	
D677,690 S	3/2013	Phelan		2010/0277307 A1	11/2010	Horton et al.	
D678,301 S *	3/2013	Esterly	D14/485	2010/0309148 A1	12/2010	Fleizach et al.	
8,407,621 B1	3/2013	George et al.		2011/0113377 A1	5/2011	Lategan	
D679,287 S	4/2013	Root et al.		2011/0145101 A1	6/2011	Berger et al.	
D679,720 S	4/2013	Root et al.		2011/0191711 A1 *	8/2011	Gill	G06Q 10/20 715/780
8,411,112 B1	4/2013	Ainslie et al.		2011/0214091 A1 *	9/2011	Nicol	G06F 3/0482 715/838
D683,747 S	6/2013	Carpenter et al.		2011/0219328 A1	9/2011	Ilvessalmi et al.	
D683,755 S	6/2013	Phelan		2011/0252298 A1	10/2011	Johlic et al.	
D684,161 S	6/2013	Truelove et al.		2011/0258562 A1	10/2011	Zhu et al.	
D684,179 S *	6/2013	Carpenter	D14/487	2011/0265020 A1	10/2011	Fields et al.	
D684,182 S	6/2013	Phelan		2011/0271231 A1	11/2011	Lategan	
8,458,618 B2	6/2013	Nezu et al.		2011/0276906 A1 *	11/2011	Lipstein	G06F 17/30873 715/760
D689,083 S *	9/2013	Pasceri	D14/486	2011/0296507 A1	12/2011	Khosrowshahi et al.	
D689,084 S *	9/2013	Pasceri	D14/486	2011/0307499 A1	12/2011	Elias et al.	
D689,085 S *	9/2013	Pasceri	D14/486	2011/0307804 A1	12/2011	Spierer	
D689,511 S *	9/2013	Convay	D14/486	2011/0307883 A1	12/2011	Hilerio et al.	
D693,838 S *	11/2013	Gardner	D14/486	2012/0016763 A1	1/2012	Kirschner	
D698,800 S	2/2014	Jung		2012/0110511 A1	5/2012	Howard	
D698,801 S *	2/2014	Jung	D14/486	2012/0221978 A1	8/2012	Matas et al.	
D703,223 S *	4/2014	Carlin	D14/486	2012/0274581 A1	11/2012	Kim	
D704,731 S *	5/2014	Pearson	D14/488	2013/0057579 A1	3/2013	Castelli et al.	
D705,251 S *	5/2014	Pearson	D14/488	2013/0124091 A1	5/2013	Matas et al.	
D705,790 S *	5/2014	Nations	D14/486				
D705,792 S *	5/2014	Nations	D14/486				

* cited by examiner

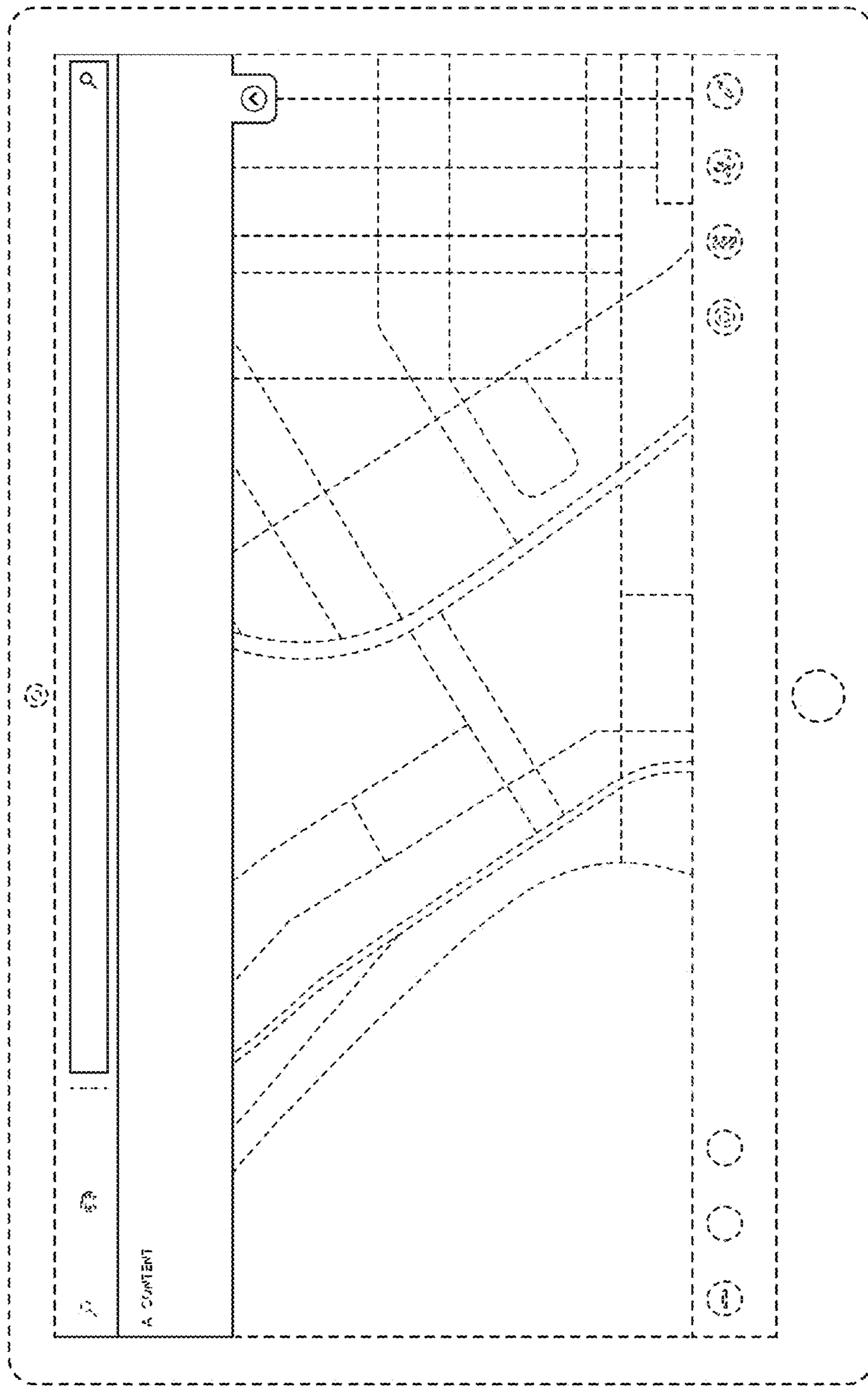


FIG. 1

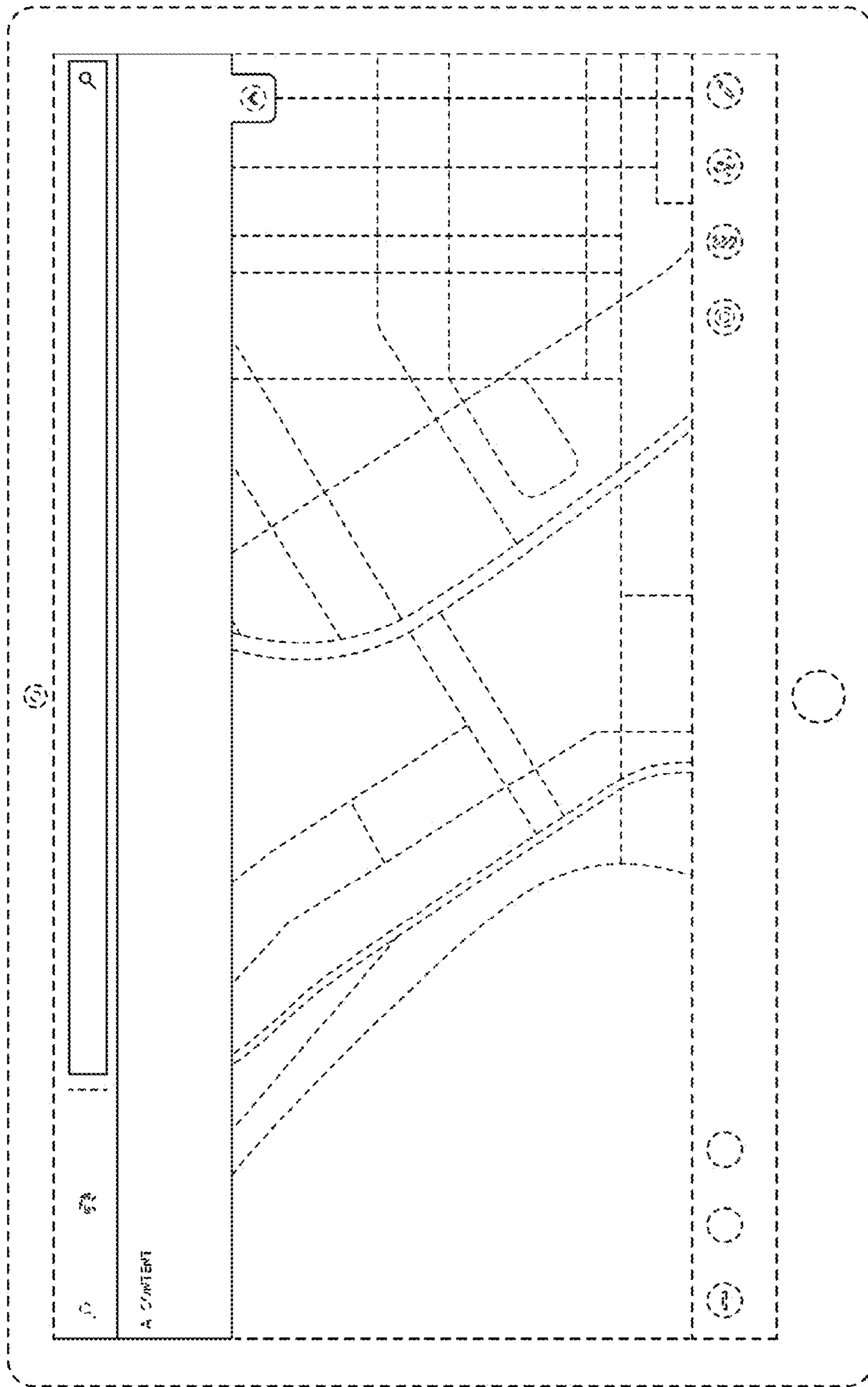


FIG. 2