



US00D751566S

(12) **United States Design Patent**
Anderson

(10) **Patent No.:** **US D751,566 S**
(45) **Date of Patent:** **** Mar. 15, 2016**

- (54) **SWIVEL MOUNT WITH ARMS**
- (71) Applicant: **Southco, Inc.**, Concordville, PA (US)
- (72) Inventor: **Glenn Eric Anderson**, Malvern, PA (US)
- (73) Assignee: **Southco, Inc.**, Concordville, PA (US)
- (**) Term: **14 Years**
- (21) Appl. No.: **29/523,821**
- (22) Filed: **Apr. 14, 2015**

D520,017 S * 5/2006 van Kuijk D14/452
 D534,789 S 1/2007 Worrall et al.
 D540,658 S 4/2007 Worrall et al.
 7,207,537 B2 * 4/2007 Hung F16M 11/04
 248/274.1
 D541,808 S 5/2007 Oddsen et al.
 7,243,892 B2 * 7/2007 Pfister F16M 11/04
 248/281.11

(Continued)

OTHER PUBLICATIONS

Korean Office Action, dated Apr. 24, 2014, corresponding to counterpart Korean Design Registration No. 30-2013-0033355.

(Continued)

Related U.S. Application Data

- (62) Division of application No. 29/440,880, filed on Dec. 28, 2012, now Pat. No. Des. 729,815.
- (51) **LOC (10) Cl.** **08-07**
- (52) **U.S. Cl.**
USPC **D14/452**
- (58) **Field of Classification Search**
USPC D14/371-382, 125-129, 336, 337, 448,
D14/450-452, 492, 335, 447, 239; 341/12;
345/104, 156, 168, 173; 348/180, 184,
348/325, 739, 825; 349/1, 2, 11, 62;
361/679.02, 679.04-679.07, 679.09,
361/679.21, 679.22, 679.26, 679.3;
D8/349, 354, 363, 373, 376, 380;
248/519, 534, 541, 58, 125.8, 127,
248/131, 133, 139, 176.1, 176.3, 188.5,
248/279.1, 333, 917-924; 379/454, 455;
312/223.3

See application file for complete search history.

Primary Examiner — Deanna L Pratt
Assistant Examiner — Katie Mroczka
 (74) *Attorney, Agent, or Firm* — RatnerPrestia

(57) **CLAIM**

The ornamental design for a swivel mount with arms, as shown and described.

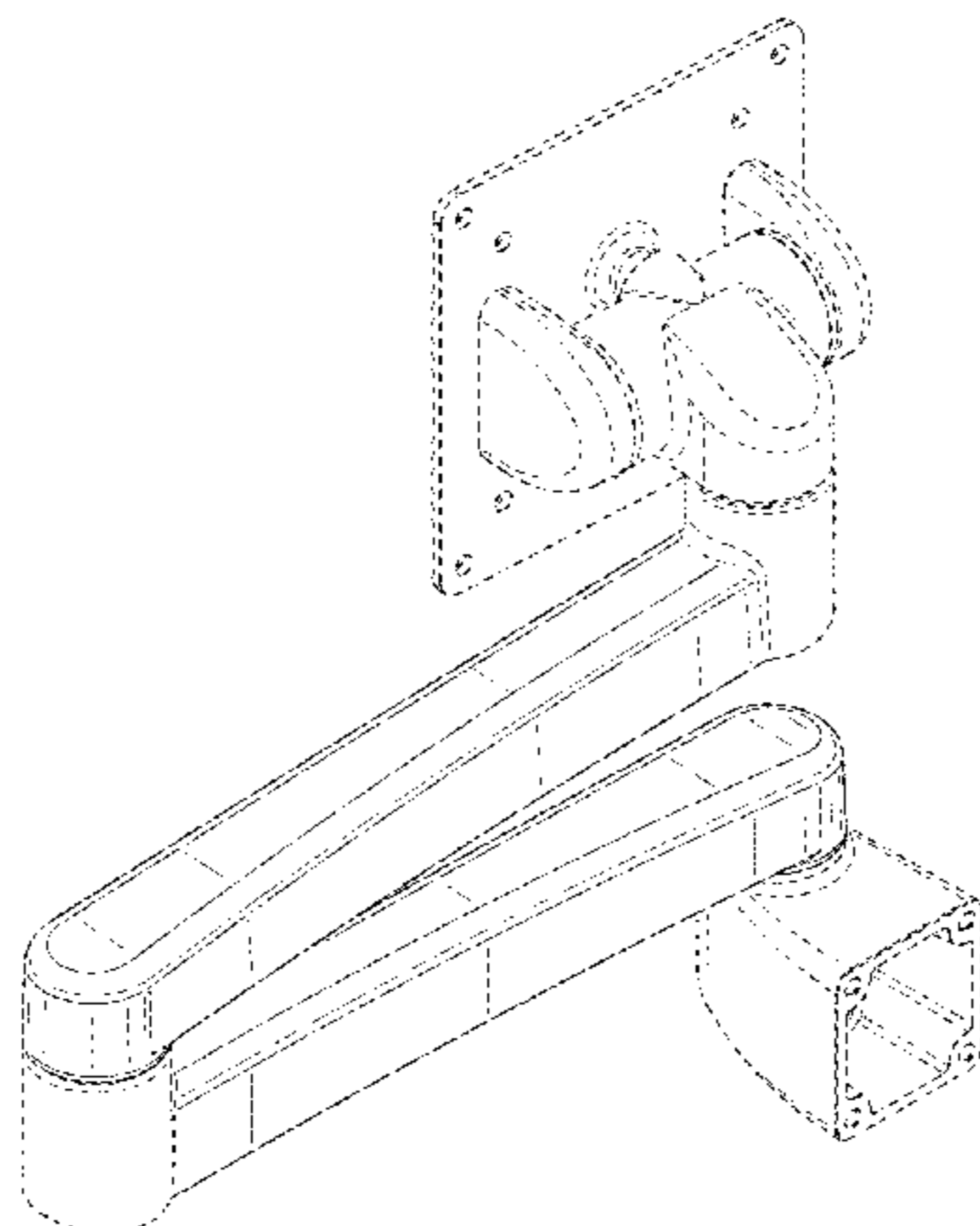
DESCRIPTION

FIG. 1 is a front perspective view taken from the top left corner of a two-arm swivel mount;
 FIG. 2 is a rear perspective view taken from the top right corner thereof;
 FIG. 3 is a front elevation view thereof;
 FIG. 4 is a rear elevation view thereof;
 FIG. 5 is a right-side elevation view thereof;
 FIG. 6 is a left-side elevation view thereof;
 FIG. 7 is a top plan view thereof;
 FIG. 8 is a bottom plan view thereof;
 FIG. 9 is a rear perspective view taken from the bottom right corner thereof; and,
 FIG. 10 is a rear perspective view taken from the top left corner thereof.

The broken line showing of the swivel mount with arms is for the purpose of illustrating portions of the swivel mount with arms and forms no part of the claimed design.

1 Claim, 10 Drawing Sheets

- (56) **References Cited**
U.S. PATENT DOCUMENTS
- | | | |
|--------------|--------|-------------|
| D337,333 S | 7/1993 | Turk |
| D391,148 S | 2/1998 | Rosen |
| D435,852 S | 1/2001 | Oddsen, Jr. |
| D496,367 S | 9/2004 | Pfister |
| D507,477 S | 7/2005 | Pfister |
| 6,935,883 B2 | 8/2005 | Oddsen, Jr. |



(56)

References Cited

U.S. PATENT DOCUMENTS

D555,657 S * 11/2007 Loyd D14/452
 D556,205 S 11/2007 Wohlford et al.
 D557,125 S 12/2007 Worrall et al.
 D558,560 S 1/2008 Ciungan
 D559,662 S 1/2008 Sculler et al.
 D562,113 S 2/2008 Ciungan et al.
 D584,734 S 1/2009 Chu
 D598,917 S * 8/2009 Luber D14/375
 D611,802 S 3/2010 Li
 D631,052 S 1/2011 Hung
 D655,297 S 3/2012 Magnusson
 D660,843 S * 5/2012 Kaluza D14/452
 D662,102 S 6/2012 Derry et al.
 D666,180 S 8/2012 Molter et al.
 D666,207 S 8/2012 Brandt
 D677,263 S 3/2013 Luijben et al.
 D678,888 S * 3/2013 Hung D14/452
 D679,016 S * 3/2013 Jarva D24/158

D679,282 S 4/2013 Liu et al.
 8,469,323 B1 * 6/2013 Deros F16M 11/105
 248/123.11
 D688,674 S * 8/2013 Lau D14/452
 RE44,740 E 2/2014 Ciungan
 D703,817 S * 4/2014 Sung D24/158
 D708,259 S 7/2014 Fagan
 D729,815 S * 5/2015 Anderson D14/452
 2004/0031893 A1 * 2/2004 Smed F16M 11/04
 248/278.1
 2008/0029669 A1 * 2/2008 Olah B60R 11/0229
 248/276.1

OTHER PUBLICATIONS

Korean Office Action, dated Apr. 24, 2014, corresponding to counterpart Korean Design Registration No. 30-2013-0033356.
 Korean Office Action, dated Apr. 24, 2014, corresponding to counterpart Korean Design Registration No. 30-2013-0033357.

* cited by examiner

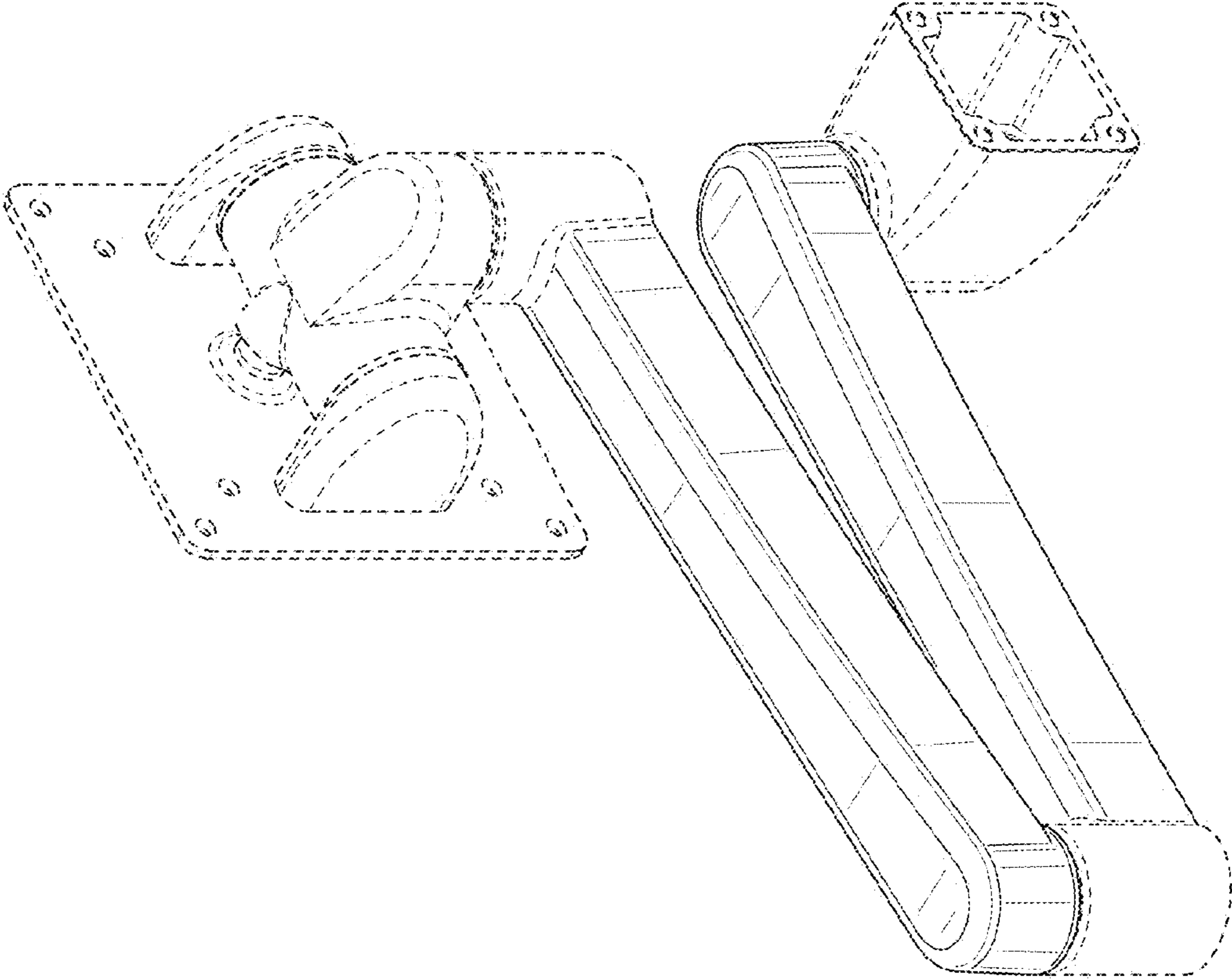


FIG. 1

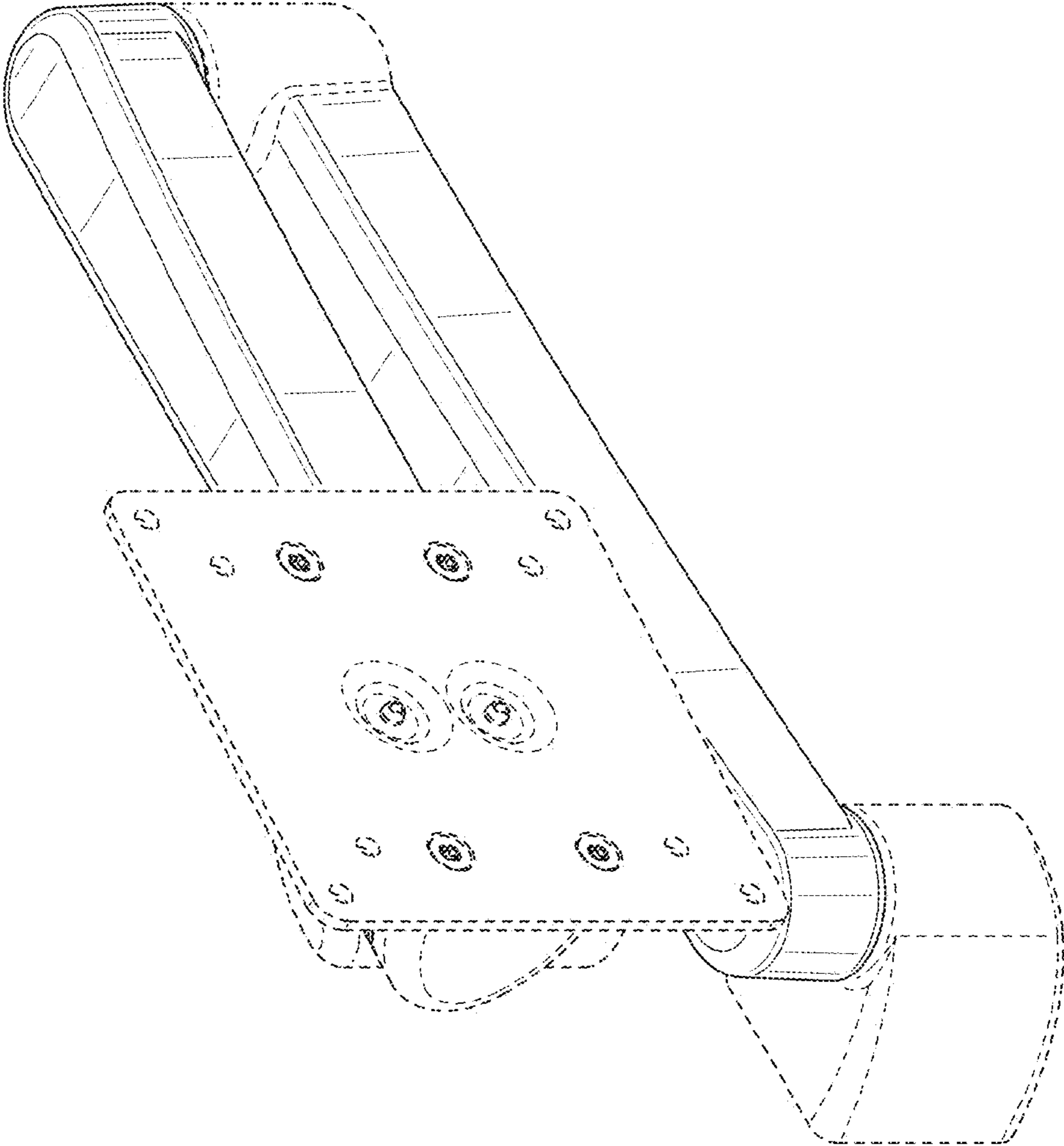


FIG. 2

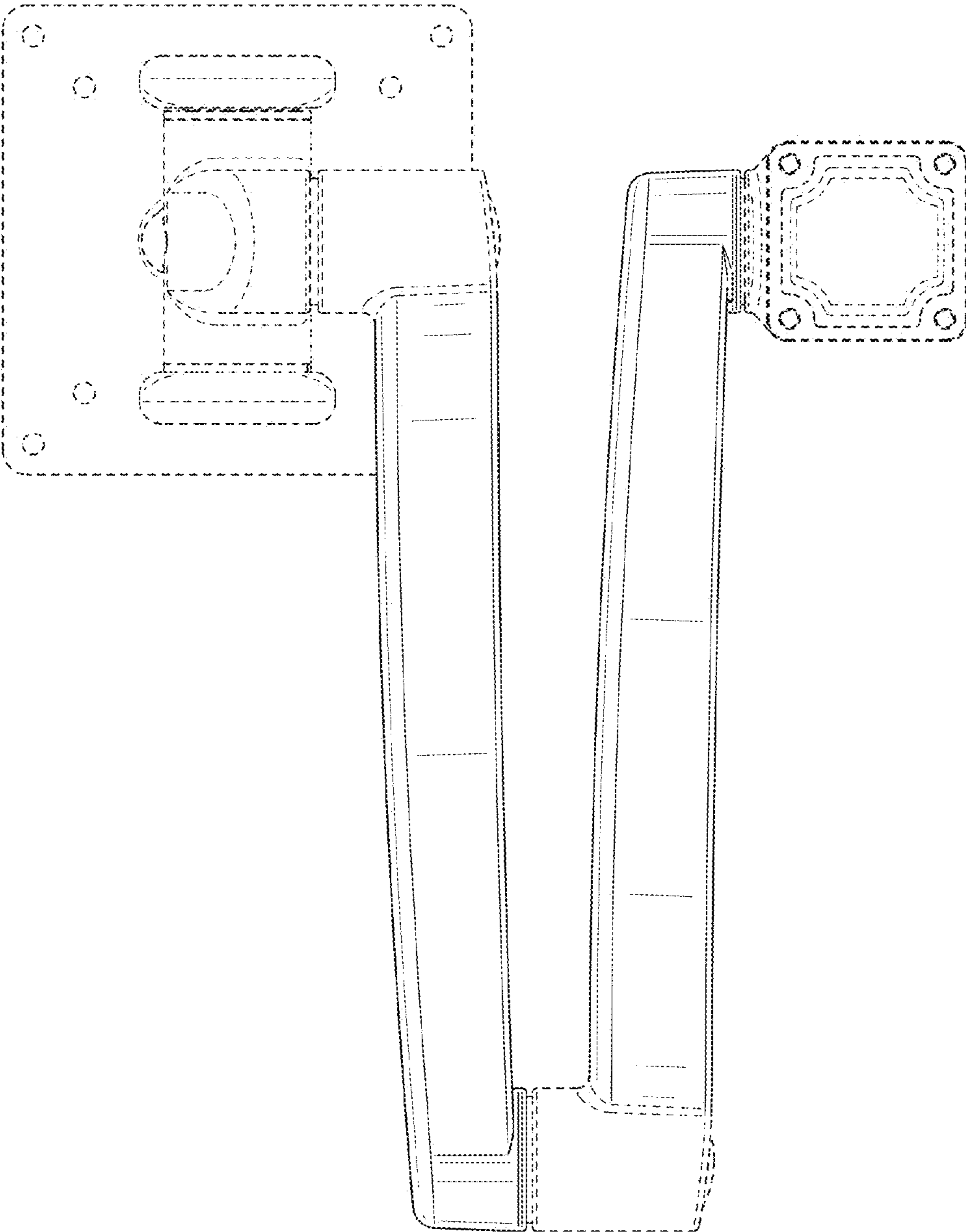


FIG. 3

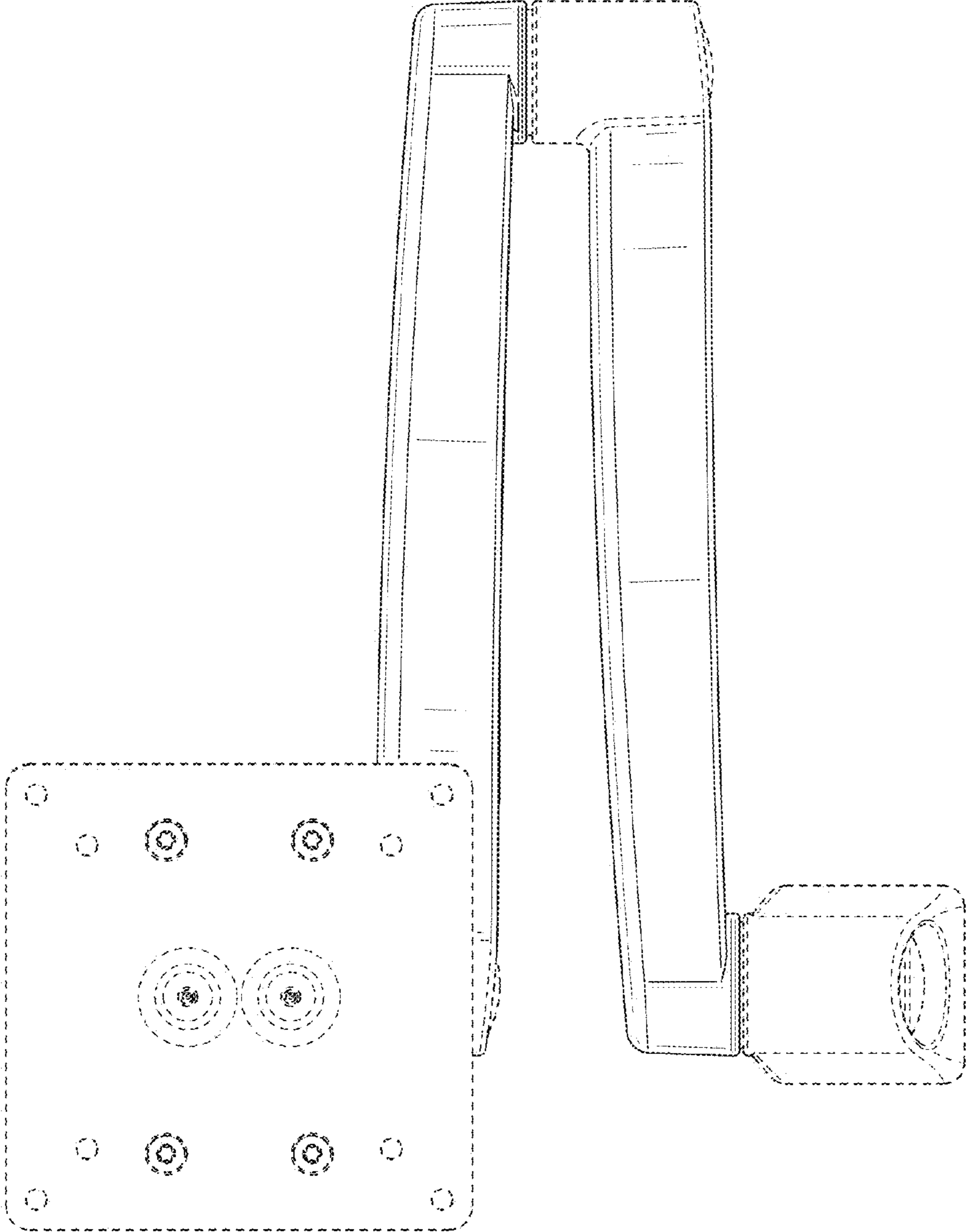


FIG. 4

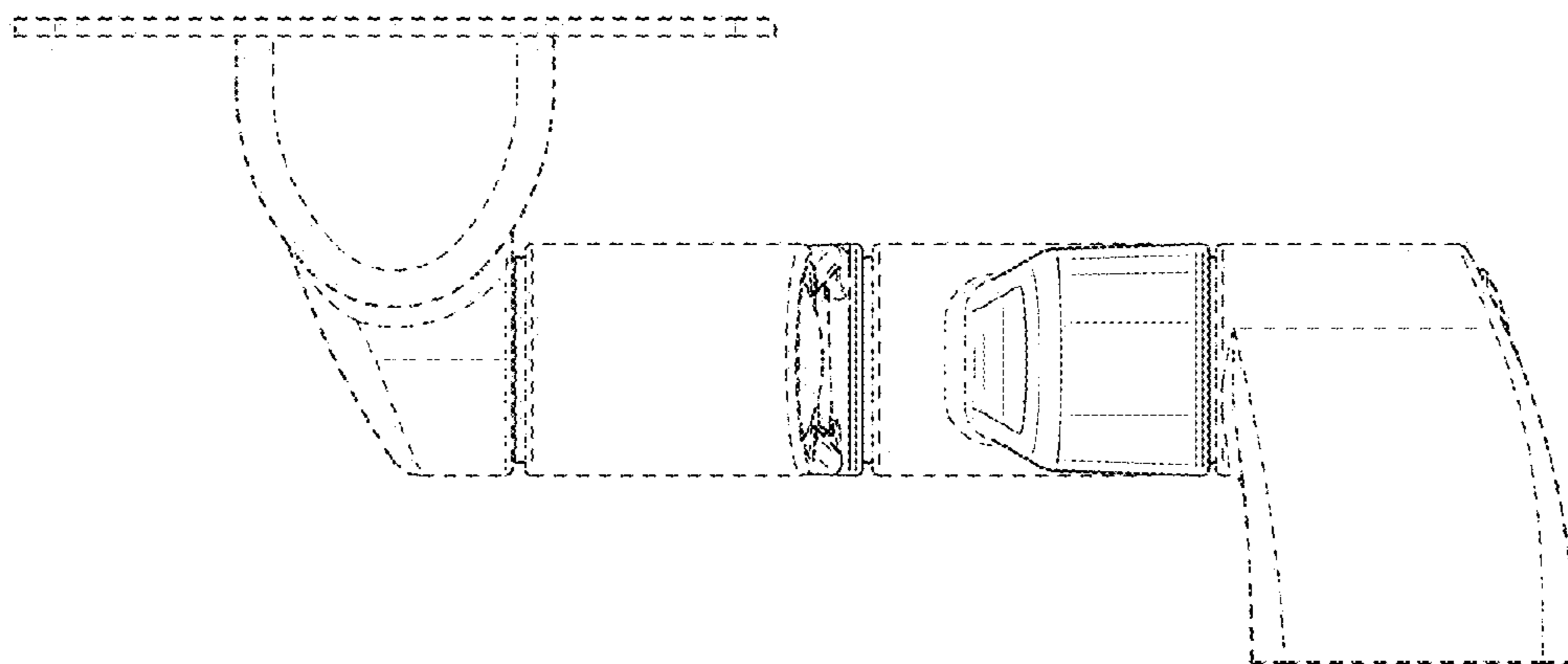


FIG. 5

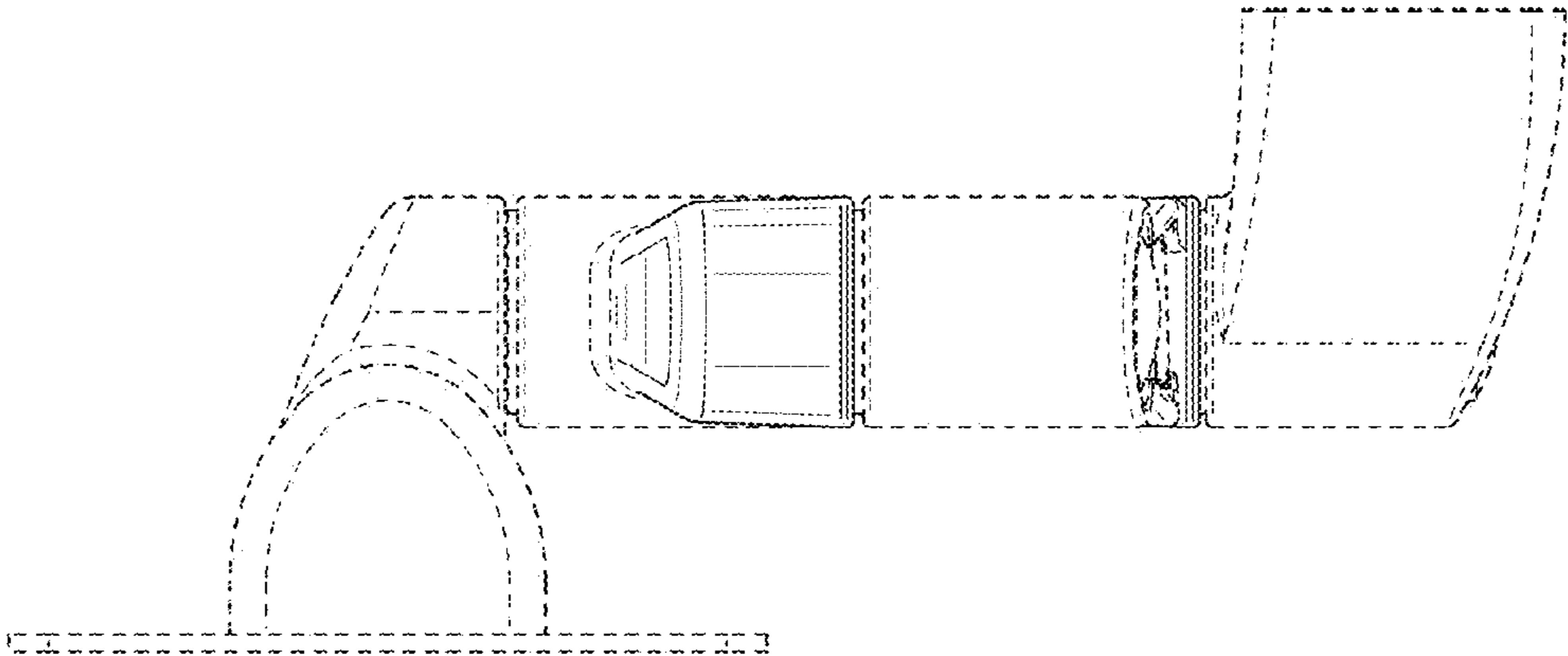


FIG. 6

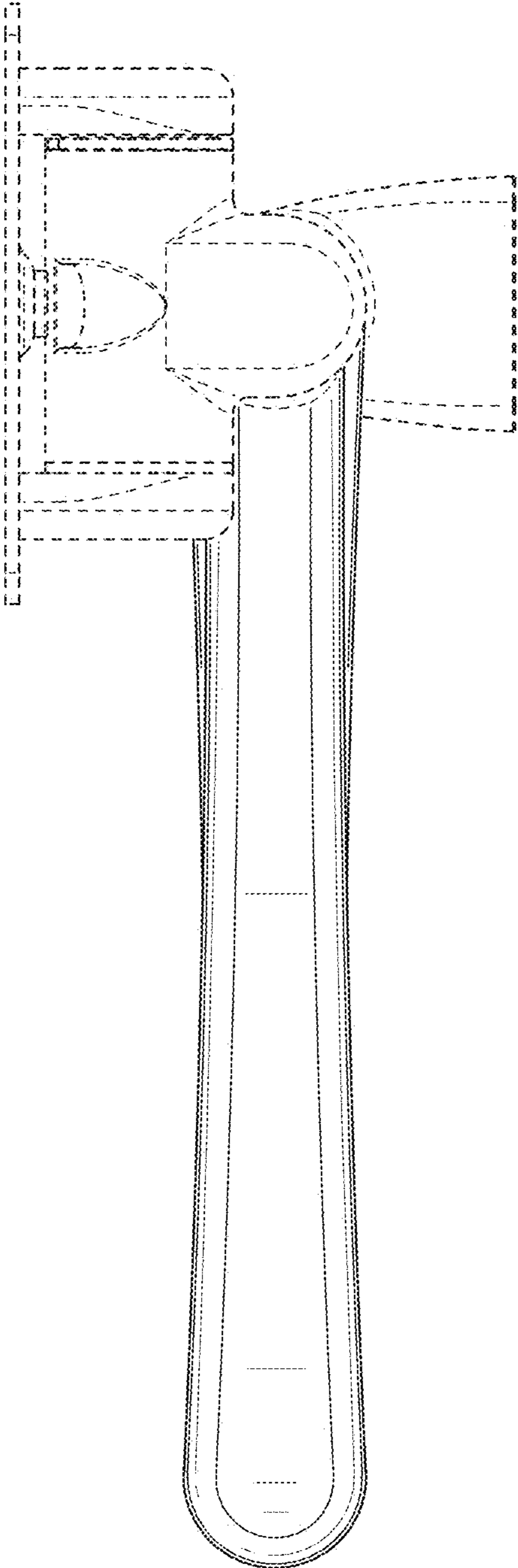


FIG. 7

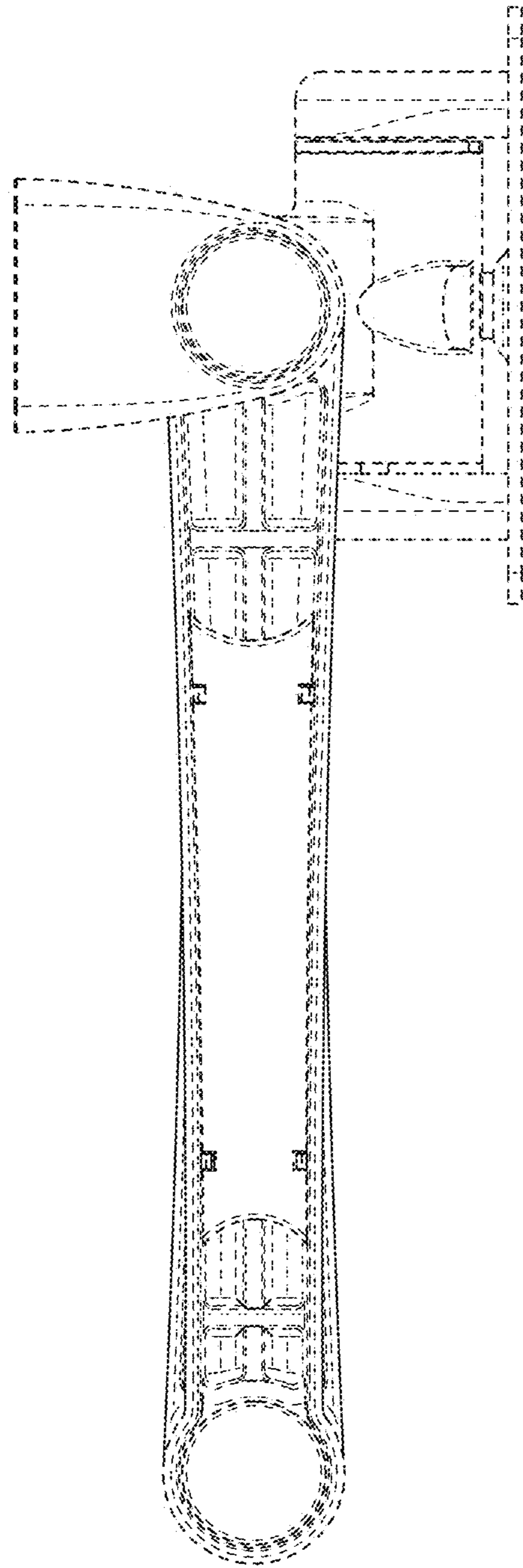


FIG. 8

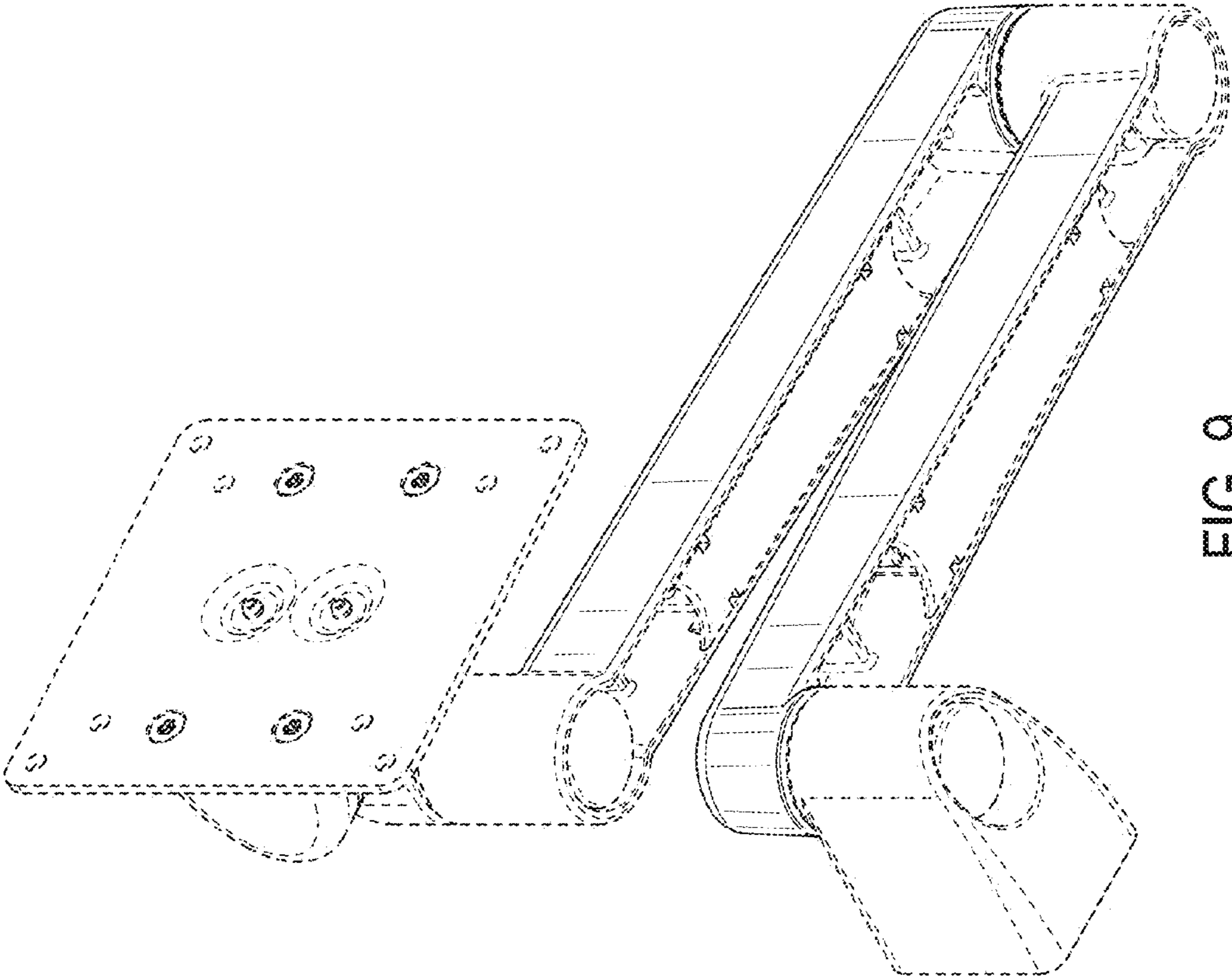


FIG. 9

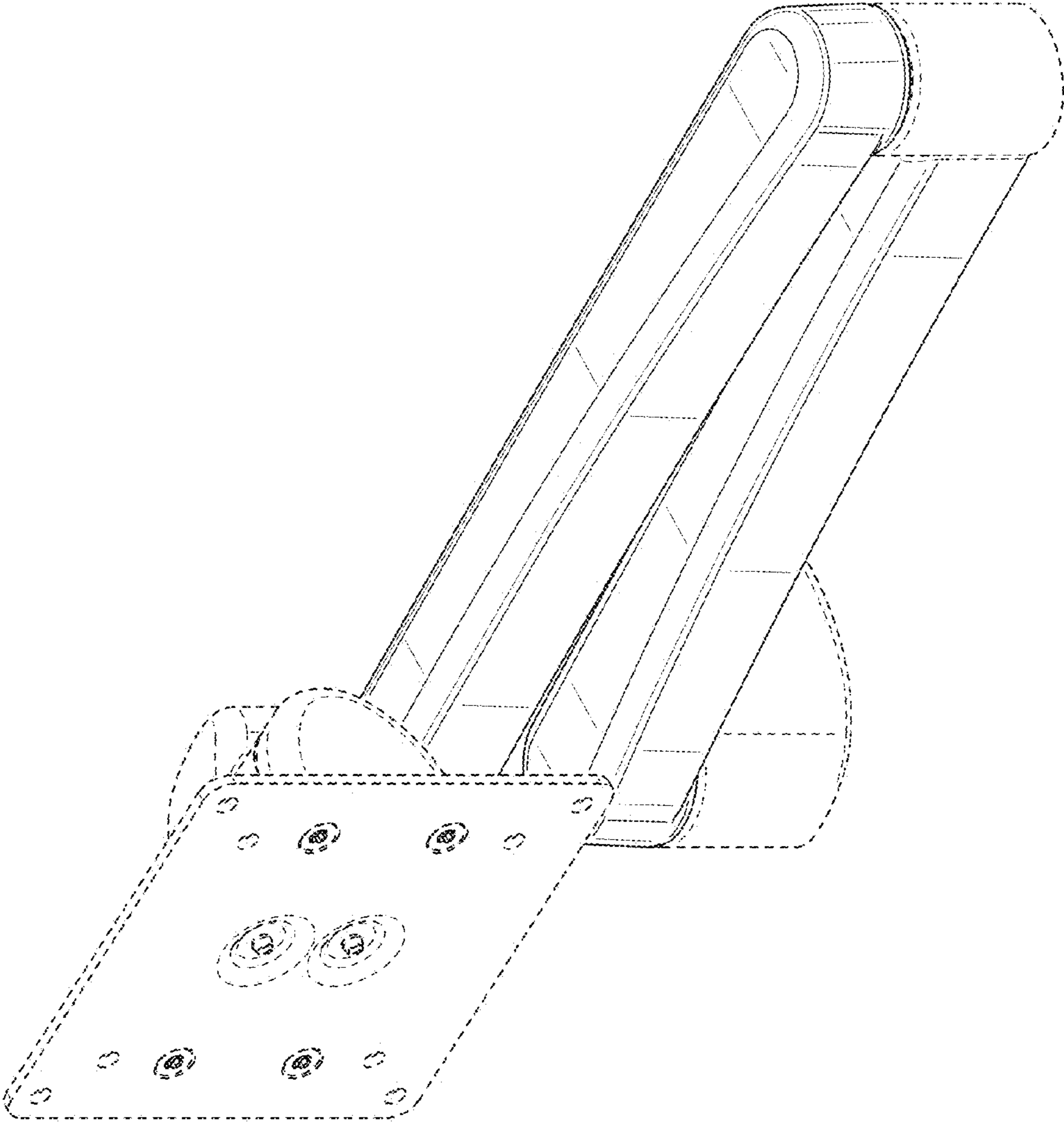


FIG. 10