



US00D751565S

(12) **United States Design Patent**  
**Gross**

(10) **Patent No.:** **US D751,565 S**  
(45) **Date of Patent:** **\*\* Mar. 15, 2016**

- (54) **FOLDING MOUNT FOR TABLET COMPUTER**
- (71) Applicant: **Milestone AV Technologies LLC**, Eden Prairie, MN (US)
- (72) Inventor: **Curtis Gross**, Blaine, MN (US)
- (73) Assignee: **Milestone AV Technologies LLC**, Eden Prairie, MN (US)

D639,815 S	6/2011	Lye	
D651,213 S	12/2011	Magness et al.	
D653,668 S	2/2012	Song et al.	
D658,189 S	4/2012	Zhao et al.	
D659,147 S *	5/2012	Hu et al.	D14/447
D666,207 S *	8/2012	Brandt	D14/452
D668,256 S *	10/2012	Matteo	D14/447
D672,356 S *	12/2012	Quijano et al.	D14/447
D672,782 S *	12/2012	Gross	D14/447
D680,547 S *	4/2013	Williams et al.	D14/447
D690,306 S *	9/2013	Malisse et al.	D14/447
D709,896 S *	7/2014	McKinstry et al.	D14/447

(\*\*) Term: **14 Years**

\* cited by examiner

(21) Appl. No.: **29/444,433**

*Primary Examiner* — Deanna L Pratt

(22) Filed: **Jan. 30, 2013**

*Assistant Examiner* — Katie Mroczka

(51) **LOC (10) Cl.** ..... **08-07**

(74) *Attorney, Agent, or Firm* — Patterson Thuent Pedersen, P.A.

(52) **U.S. Cl.**  
USPC ..... **D14/451**

(58) **Field of Classification Search**  
USPC ..... D14/371–375, 125–129, 336, 337, 447, D14/448, 451, 452, 492, 335, 376–382, D14/239; 341/12; 345/104, 156, 168, 173; 348/180, 184, 325, 739; 349/1, 2, 11, 349/62; 361/679.05–679.07, 679.21, 361/679.22; D12/415, 416; D3/218, 274, D3/318, 321, 328; D6/406.3, 406.4; 190/117

(57) **CLAIM**  
The ornamental design for a folding mount for tablet computer, as shown and described.

See application file for complete search history.

**DESCRIPTION**

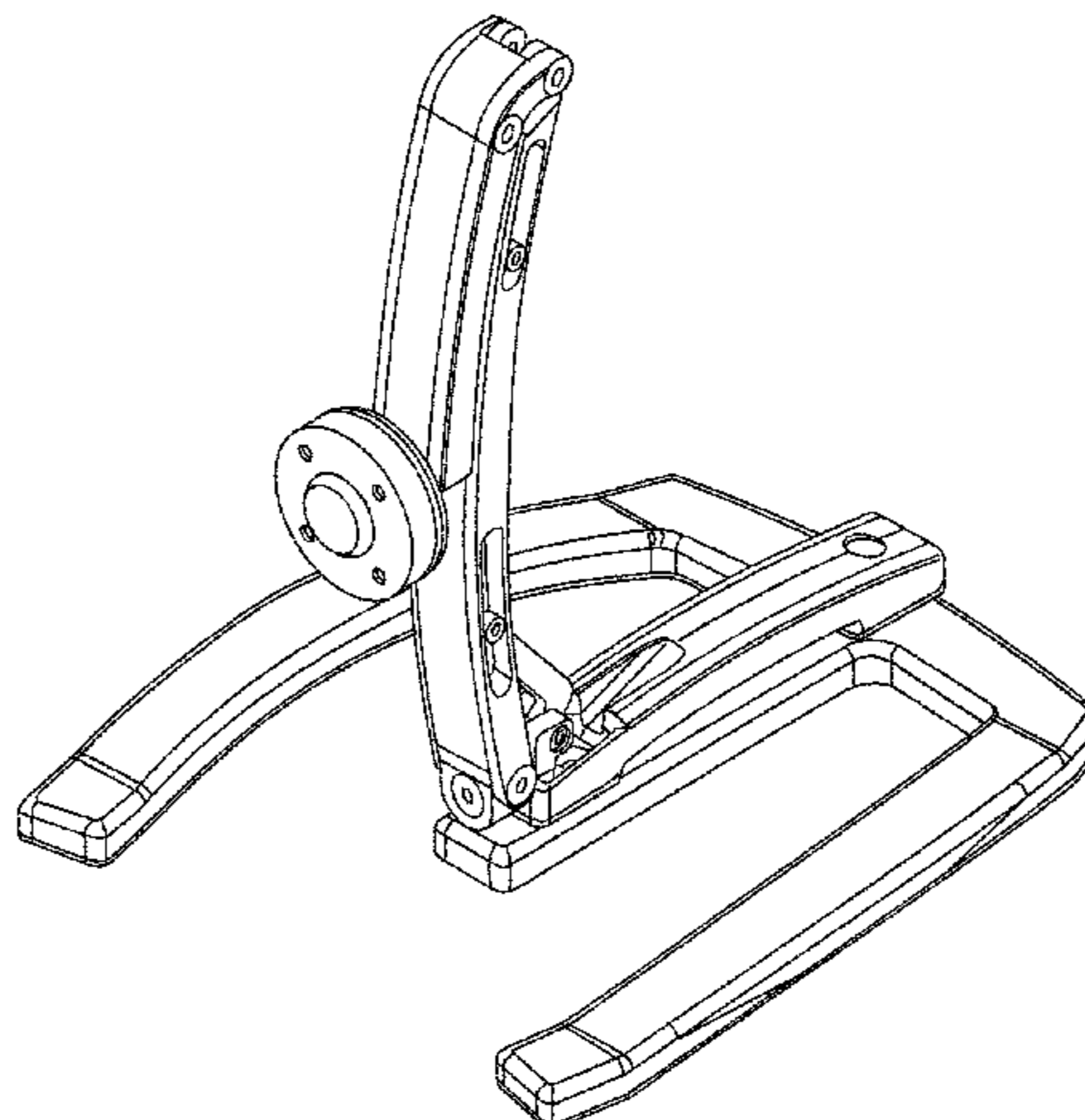
(56) **References Cited**

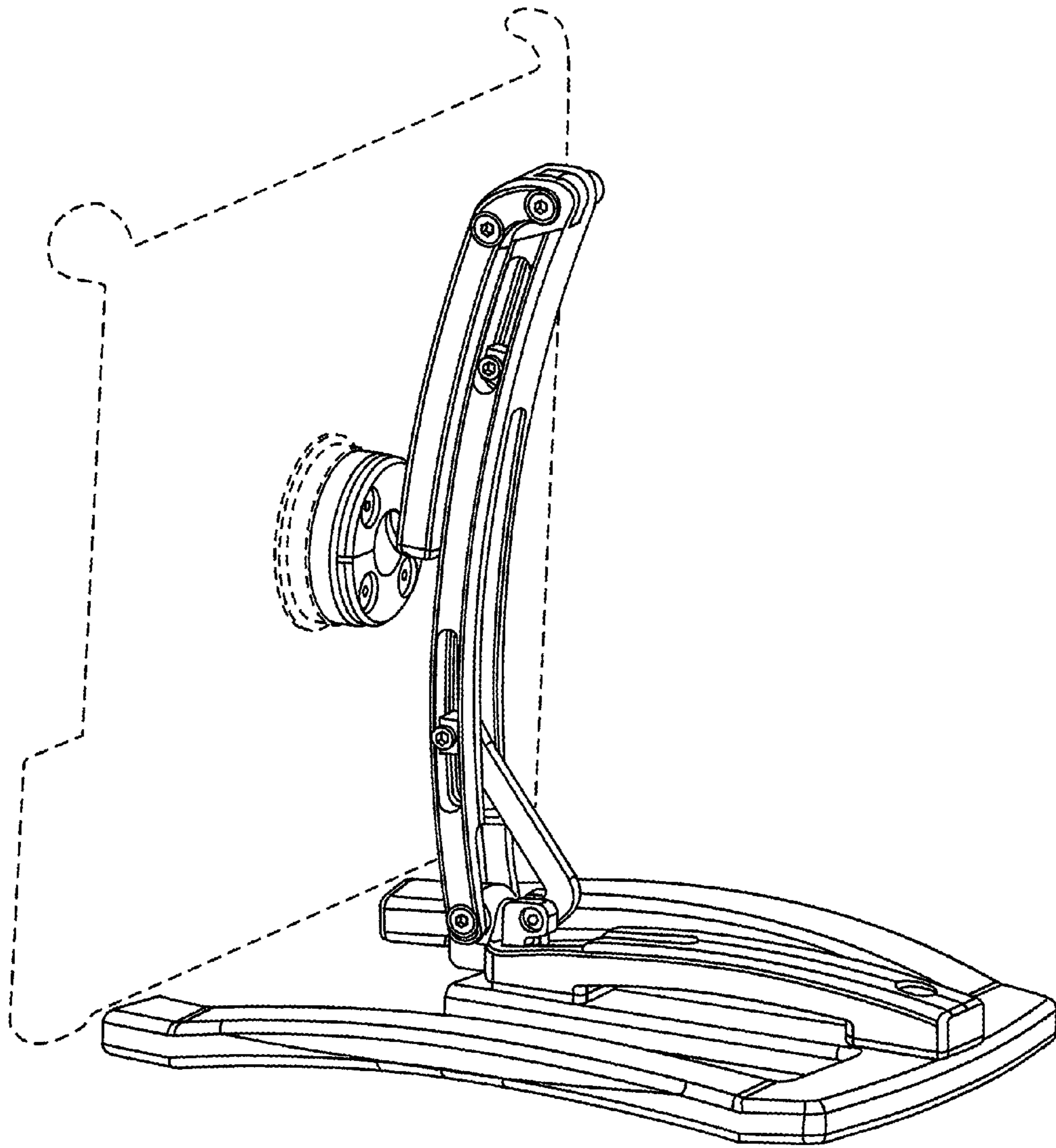
U.S. PATENT DOCUMENTS

D295,415 S *	4/1988	Thies et al.	D14/452
D390,209 S	2/1998	Dials et al.	
D488,163 S	4/2004	Hunt	
7,143,478 B2 *	12/2006	Quijano	16/445
D537,323 S *	2/2007	Saez	D8/363
D539,806 S	4/2007	Yu et al.	
D563,774 S *	3/2008	Wohlford et al.	D8/363
D590,833 S	4/2009	O'Connor	
D615,596 S *	5/2010	Bik et al.	D21/333
D620,012 S	7/2010	Chen et al.	
D626,964 S	11/2010	Richardson et al.	

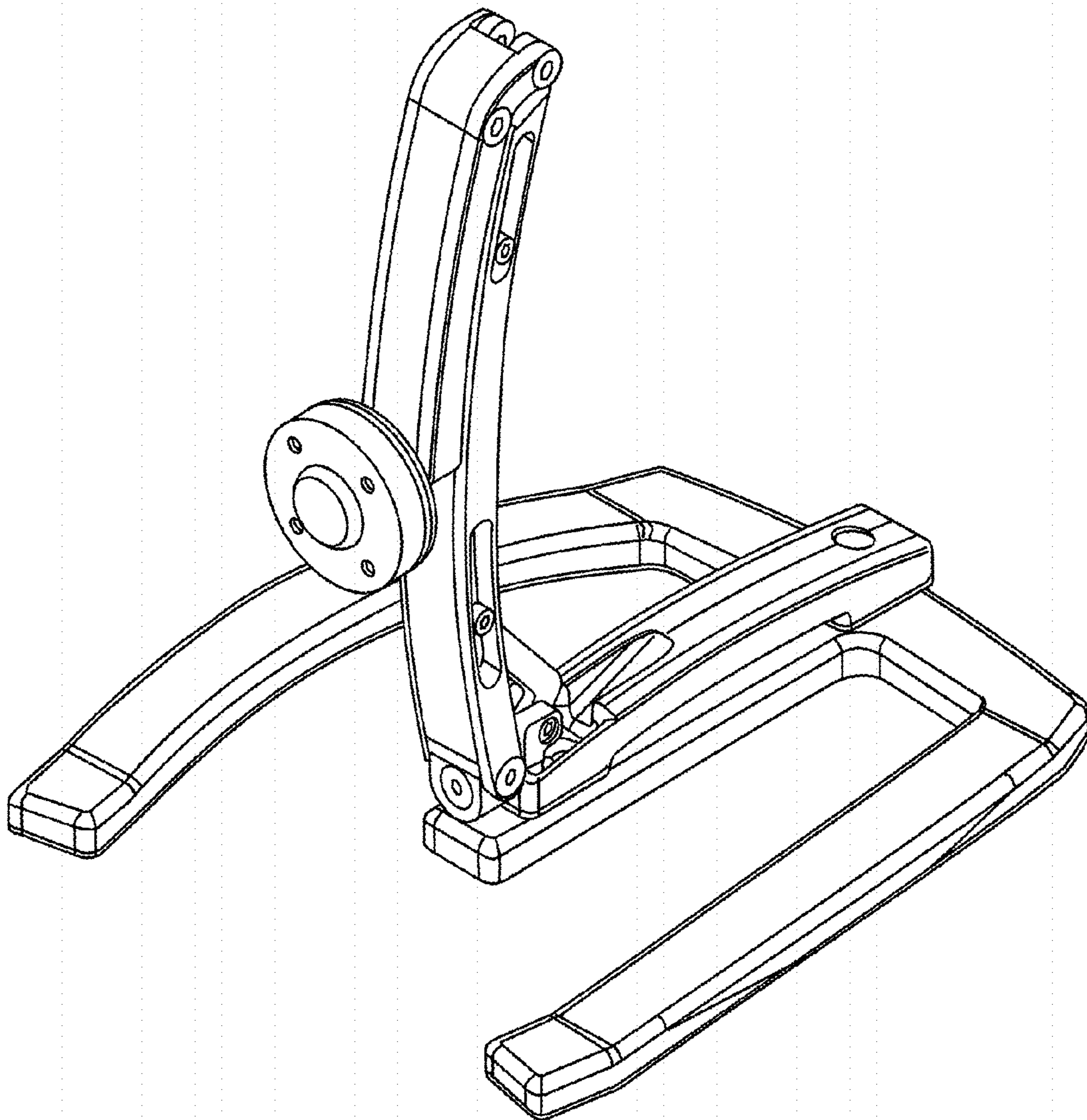
FIG. 1 is a rear isometric view of a folding mount for tablet computer according to the invention, with a tablet computer interface member depicted in broken lines; FIG. 2 is a front isometric view of the folding mount for tablet computer depicted in FIG. 1; FIG. 3 is a front elevation view of the folding mount for tablet computer depicted in FIG. 1; FIG. 4 is a side elevation view of the folding mount for tablet computer depicted in FIG. 1; FIG. 5 is an opposing side elevation view of the folding mount for tablet computer depicted in FIG. 1; FIG. 6 is a rear elevation view of the folding mount for tablet computer depicted in FIG. 1; and, FIG. 7 is a top plan view of the folding mount for tablet computer depicted in FIG. 1. The portions of the figures rendered in broken lines form no part of the claimed invention.

**1 Claim, 7 Drawing Sheets**

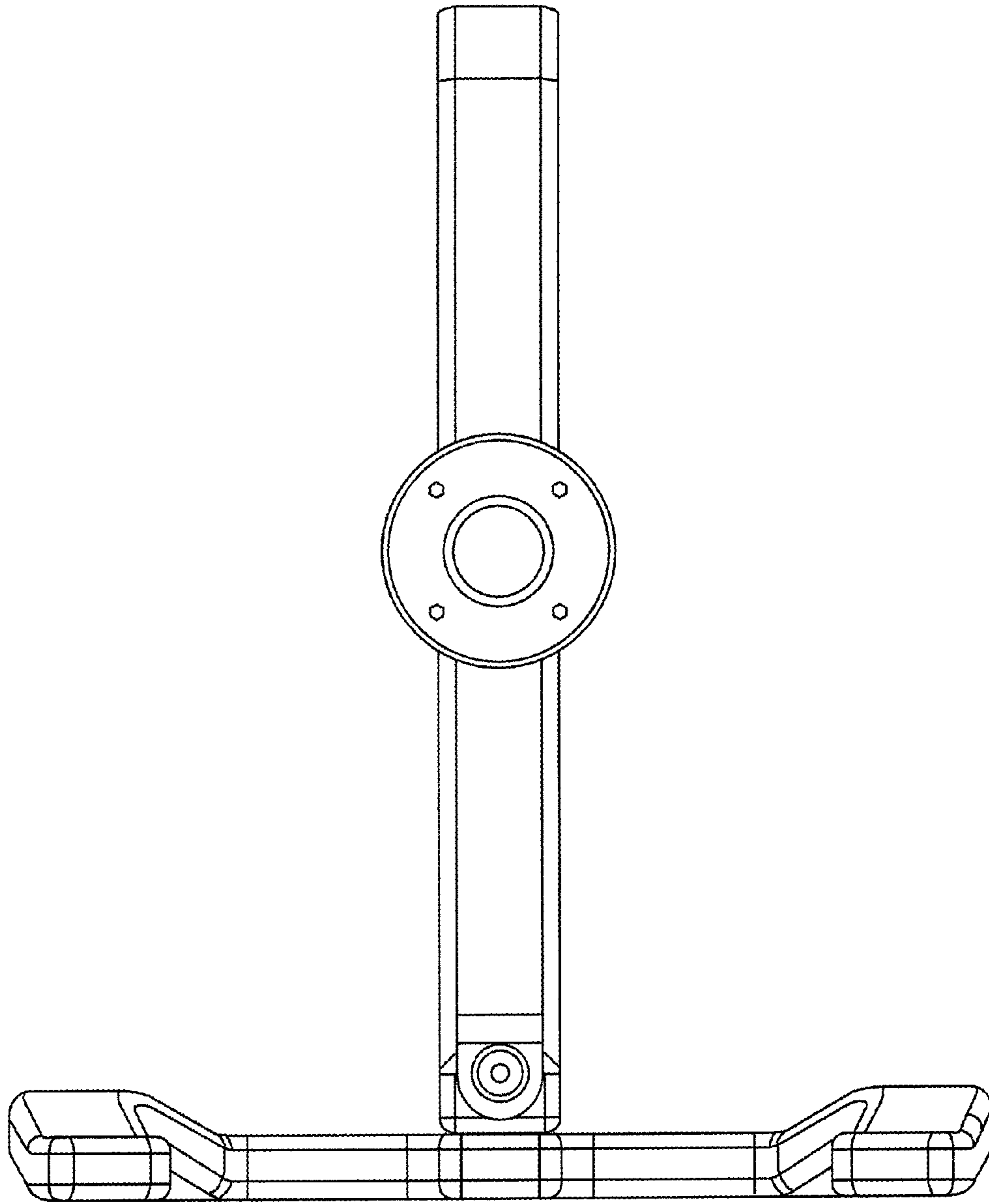




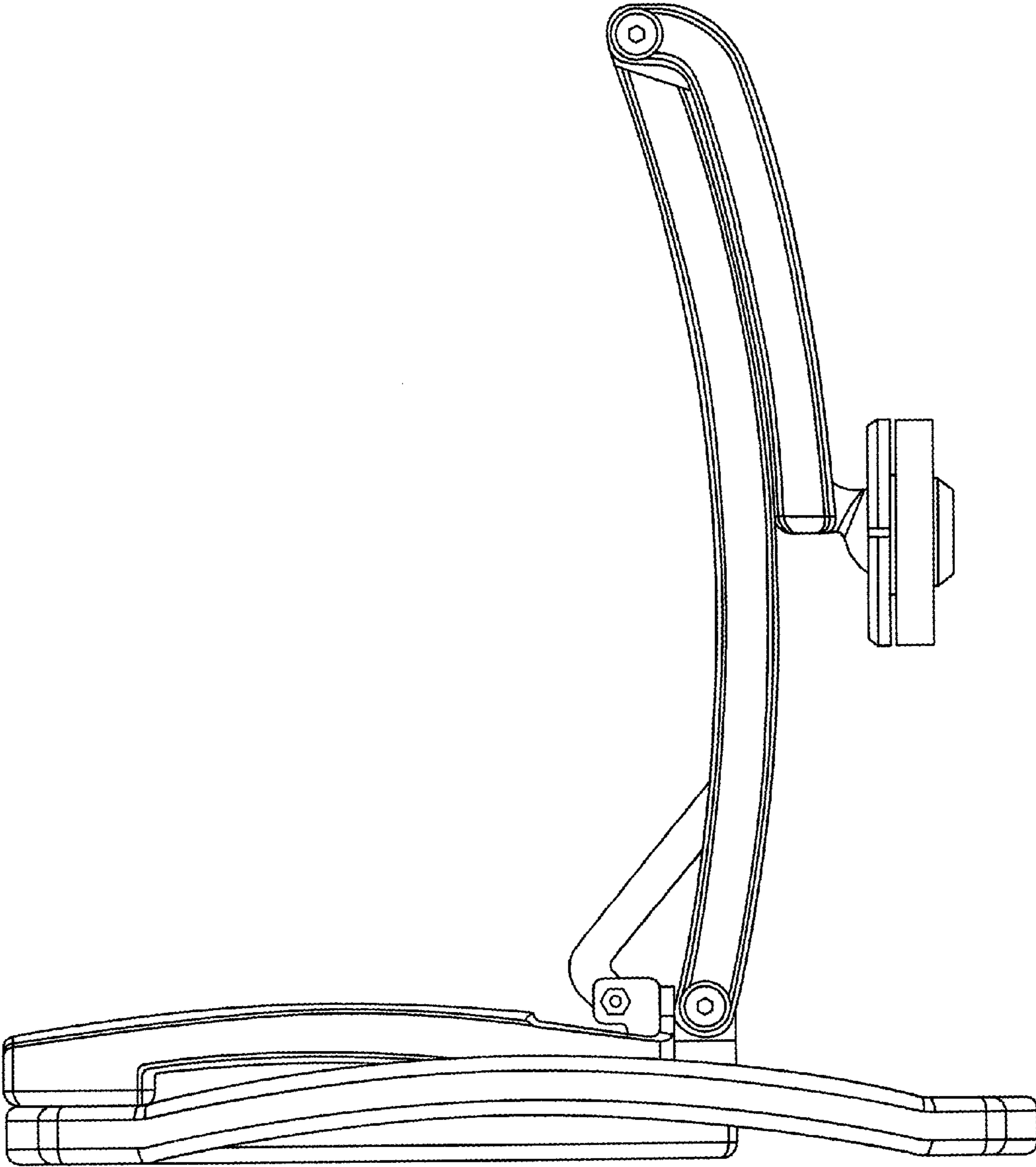
**Fig. 1**



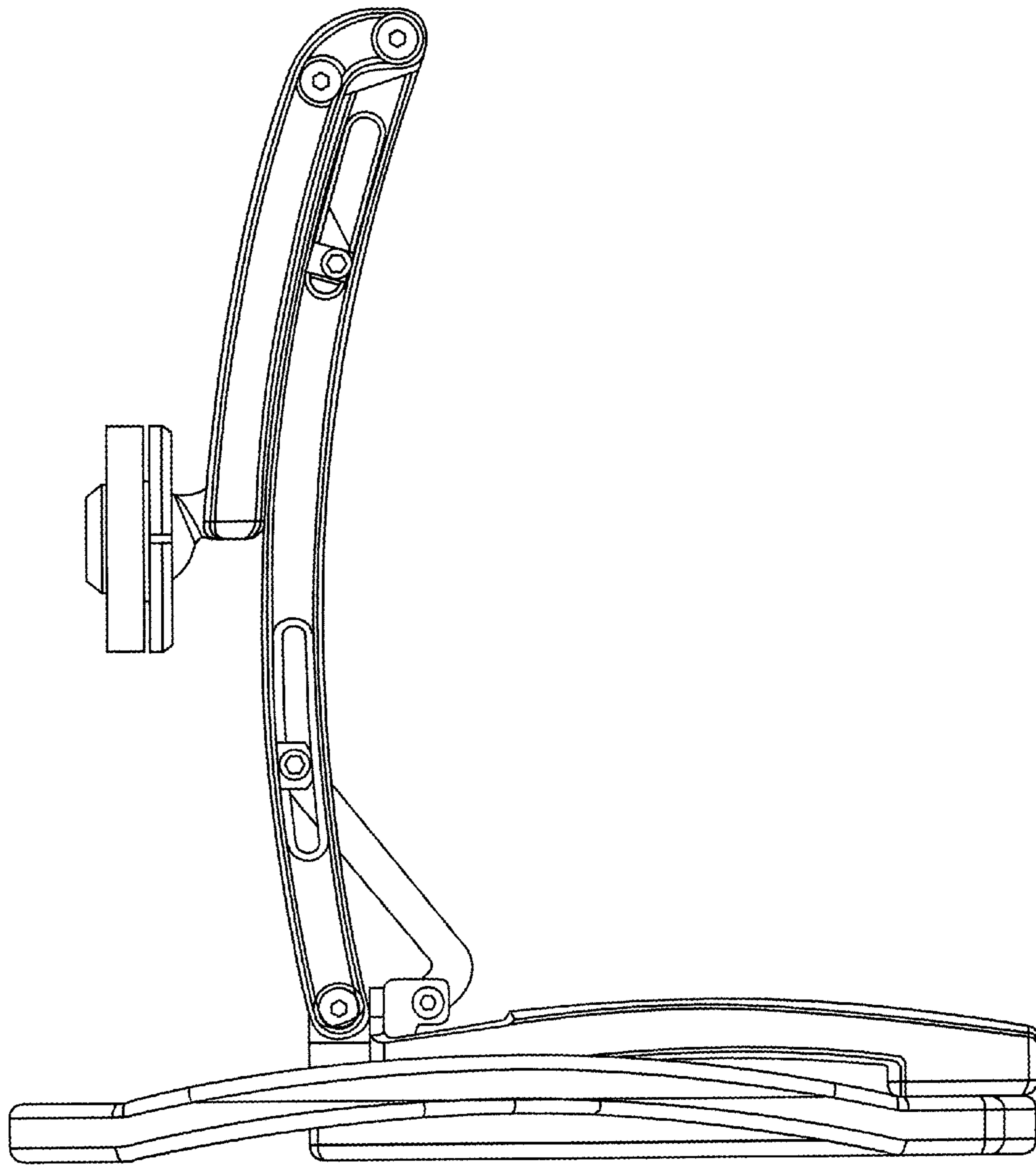
**Fig. 2**



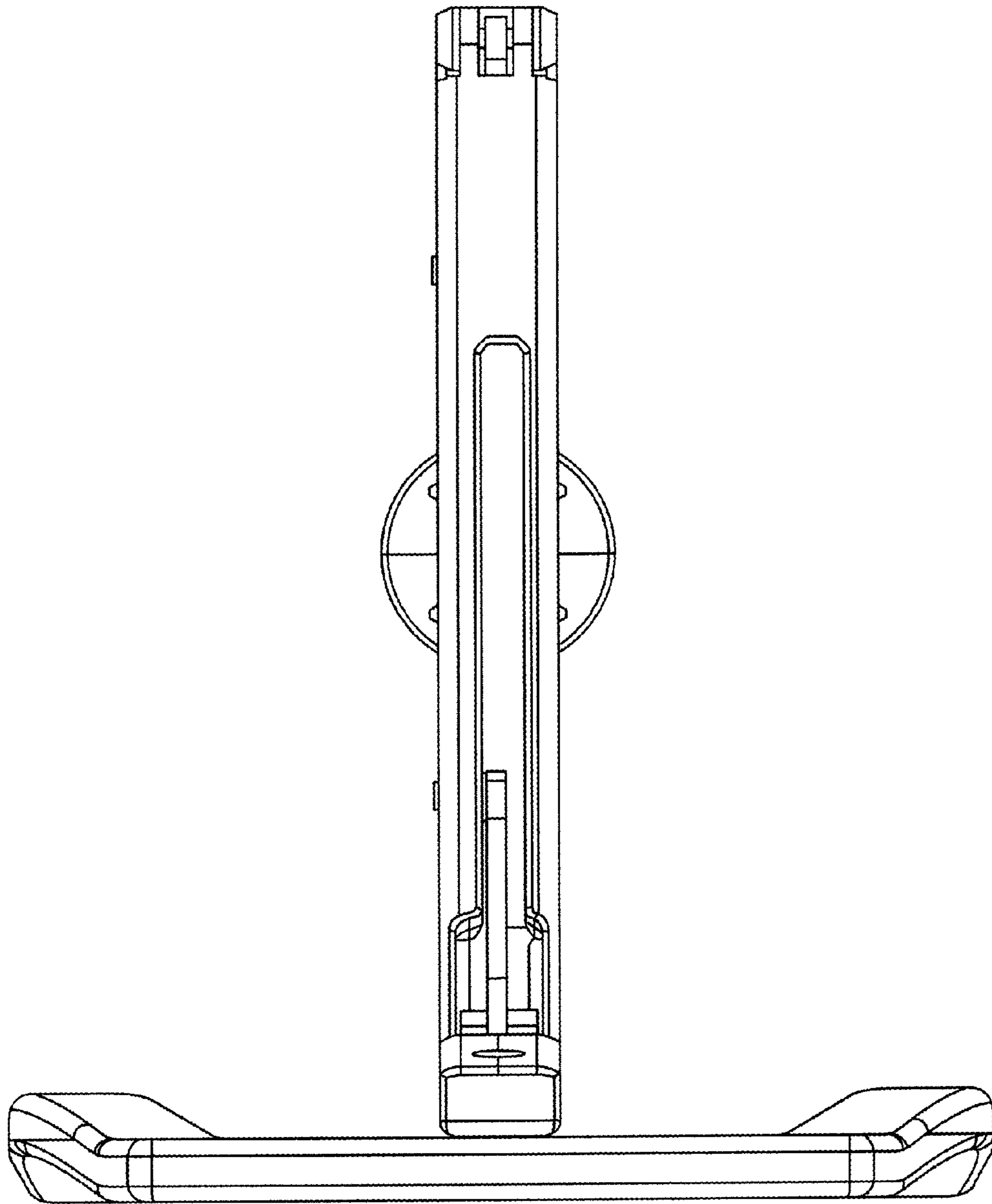
**Fig. 3**



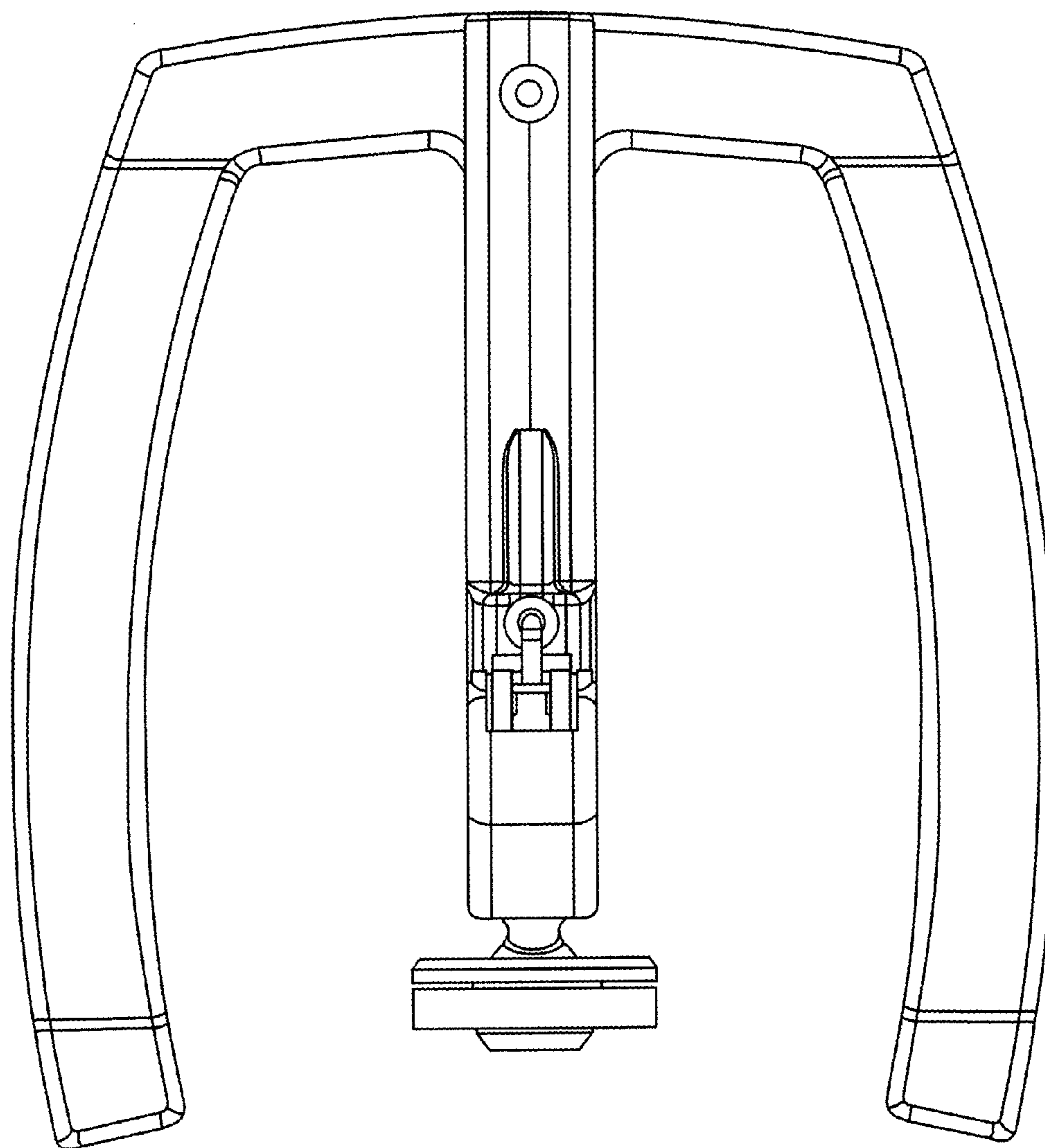
**Fig. 4**



**Fig. 5**



**Fig. 6**



**Fig. 7**