



US00D751564S

(12) **United States Design Patent**
Hahn et al.

(10) **Patent No.:** **US D751,564 S**
(45) **Date of Patent:** **** Mar. 15, 2016**

(54) **SMARTWATCH STAND**

(56) **References Cited**

(71) Applicant: **Nomad Goods, Inc.**, Santa Barbara, CA (US)

U.S. PATENT DOCUMENTS

(72) Inventors: **Brian Hahn**, Summerland, CA (US);
Noah Dentzel, Summerland, CA (US)

D618,692 S *	6/2010	Deutsch	D14/238.1
D676,053 S *	2/2013	Izen	D14/447
D690,708 S *	10/2013	Smith	D14/447
D692,010 S *	10/2013	Verghese	D14/447
D692,899 S *	11/2013	Bremenkamp	D14/447
D697,920 S *	1/2014	Fujioka	D14/447
D698,793 S *	2/2014	Graham	D14/447
D707,684 S *	6/2014	Hill	D14/447
D714,297 S *	9/2014	Poulsen	D14/447
D715,804 S *	10/2014	Frenzel	D14/447
D722,063 S *	2/2015	Zwerner	D14/447
D737,264 S *	8/2015	Shamsadov	D14/251
D737,830 S *	9/2015	Katopis	D14/447

(73) Assignee: **NOMAD GOODS, INC.**, Santa Barbara, CA (US)

(**) Term: **14 Years**

(21) Appl. No.: **29/520,572**

(22) Filed: **Mar. 16, 2015**

* cited by examiner

(51) **LOC (10) Cl.** **08-07**

Primary Examiner — Angela J Lee

(52) **U.S. Cl.**
USPC **D14/447**

(57) **CLAIM**

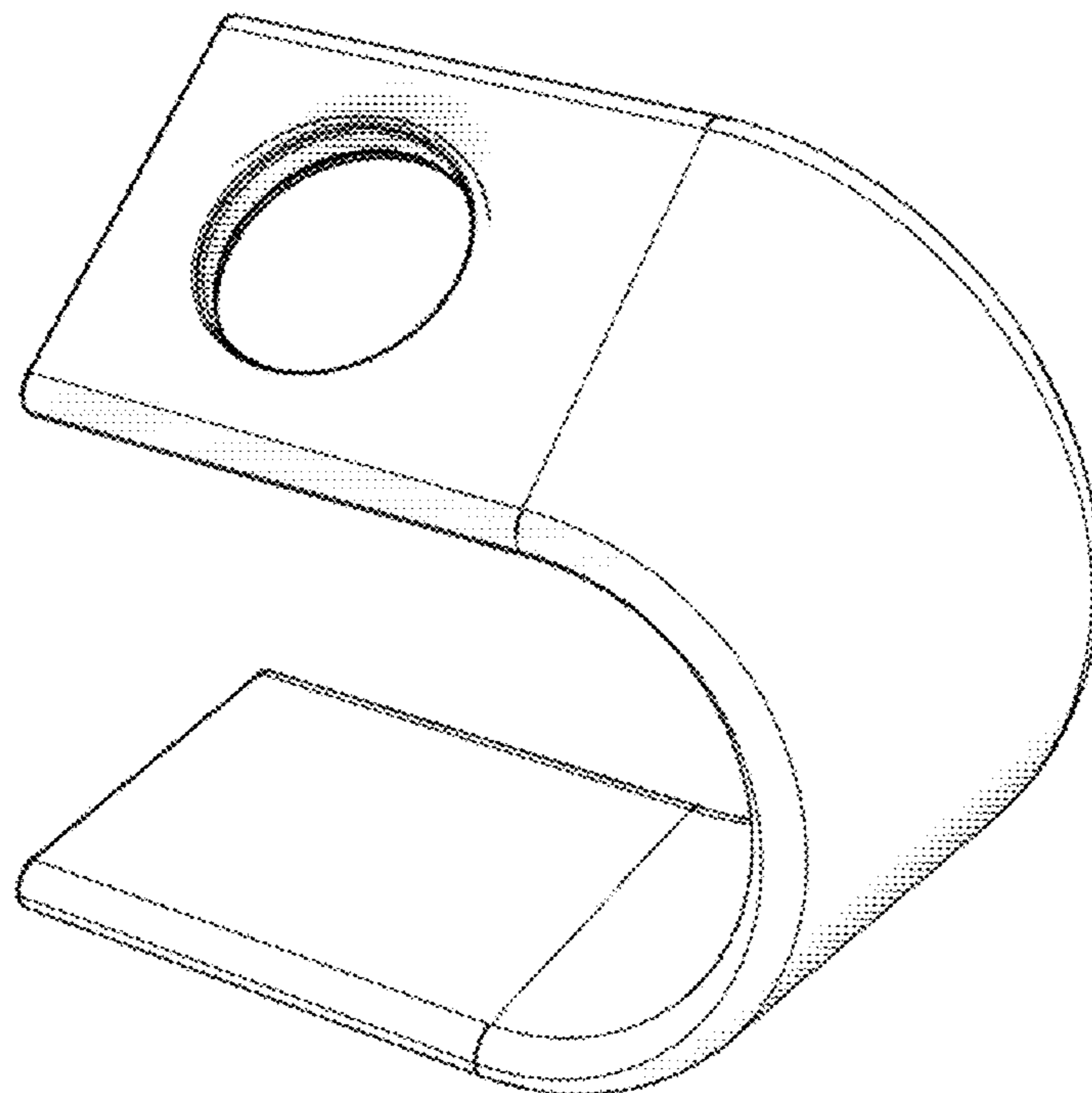
We claim the ornamental design for a smartwatch stand, as shown and described.

(58) **Field of Classification Search**
USPC D14/447, 432, 434, 439, 440, 451, 452,
D14/457, 250, 251, 253; D3/218; D6/406.3,
D6/406.4, 406.5, 406.6
CPC A45C 2011/003; A45C 2011/002;
A45C 13/002; A47B 2023/049; A47B
2097/005; A47B 2097/006; A47B 21/04;
A47B 23/00; A47B 23/043; A47B 2021/0307;
A47B 2023/005; F16M 2200/00; H04B
1/3888; H04M 1/04; H04M 1/185
See application file for complete search history.

DESCRIPTION

FIG. 1 is a perspective view of a smartwatch stand showing our new design;
FIG. 2 is a front elevational view thereof;
FIG. 3 is a rear elevational view thereof;
FIG. 4 a right elevational view thereof;
FIG. 5 is a left elevational view thereof;
FIG. 6 is a top plan view thereof; and,
FIG. 7 is a bottom plan view thereof.

1 Claim, 7 Drawing Sheets



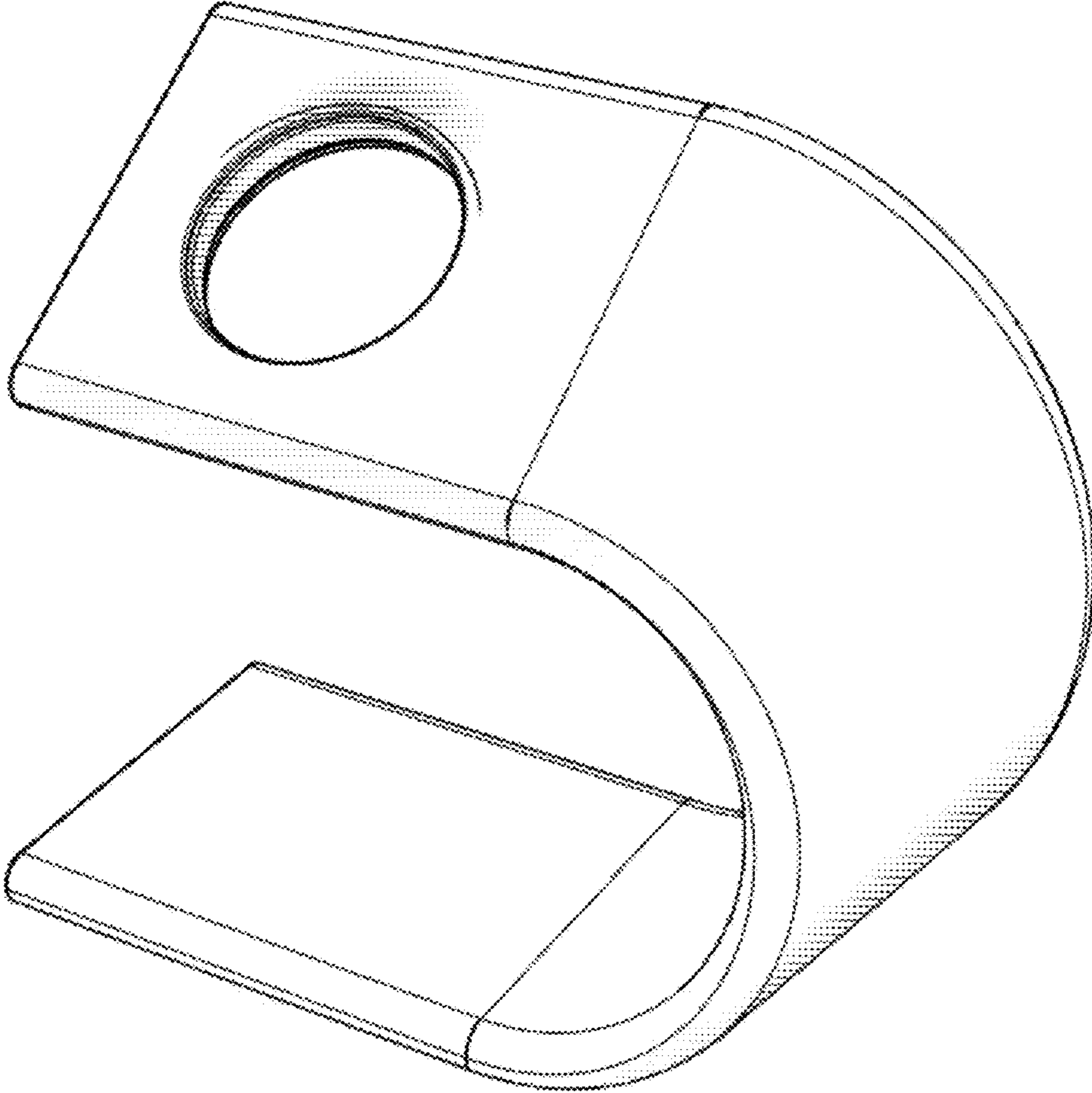


FIG. 1

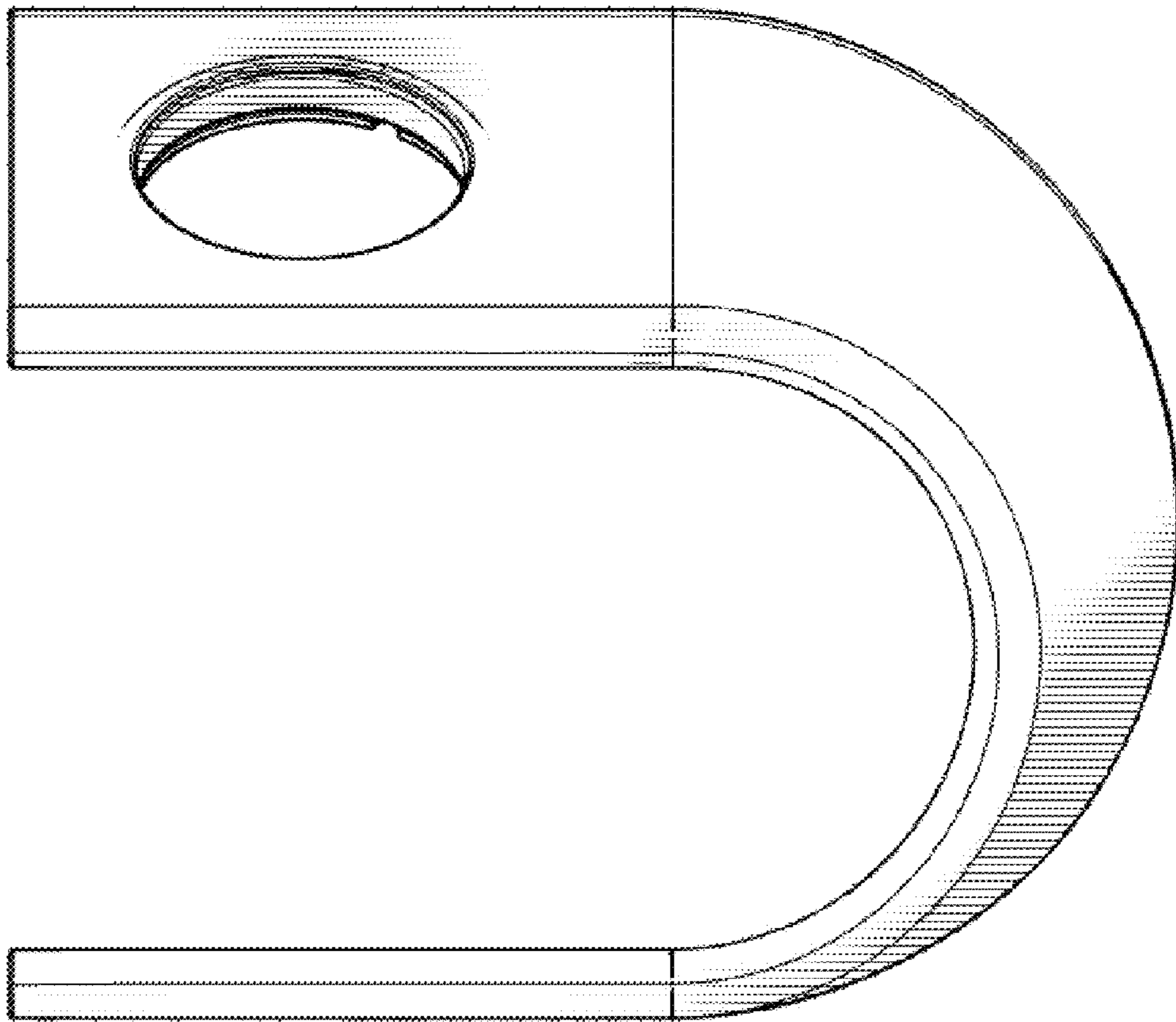


FIG. 2

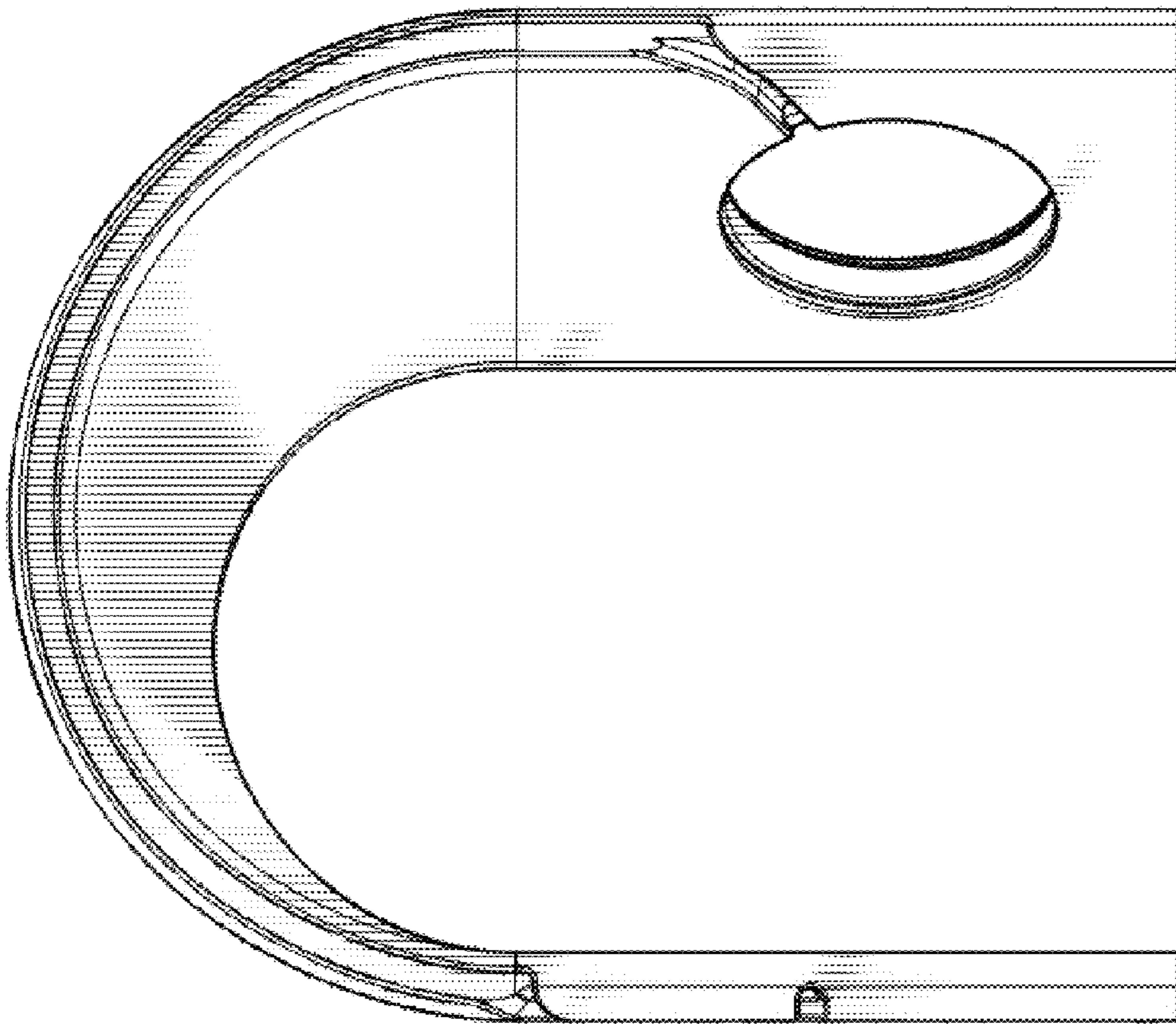


FIG. 3

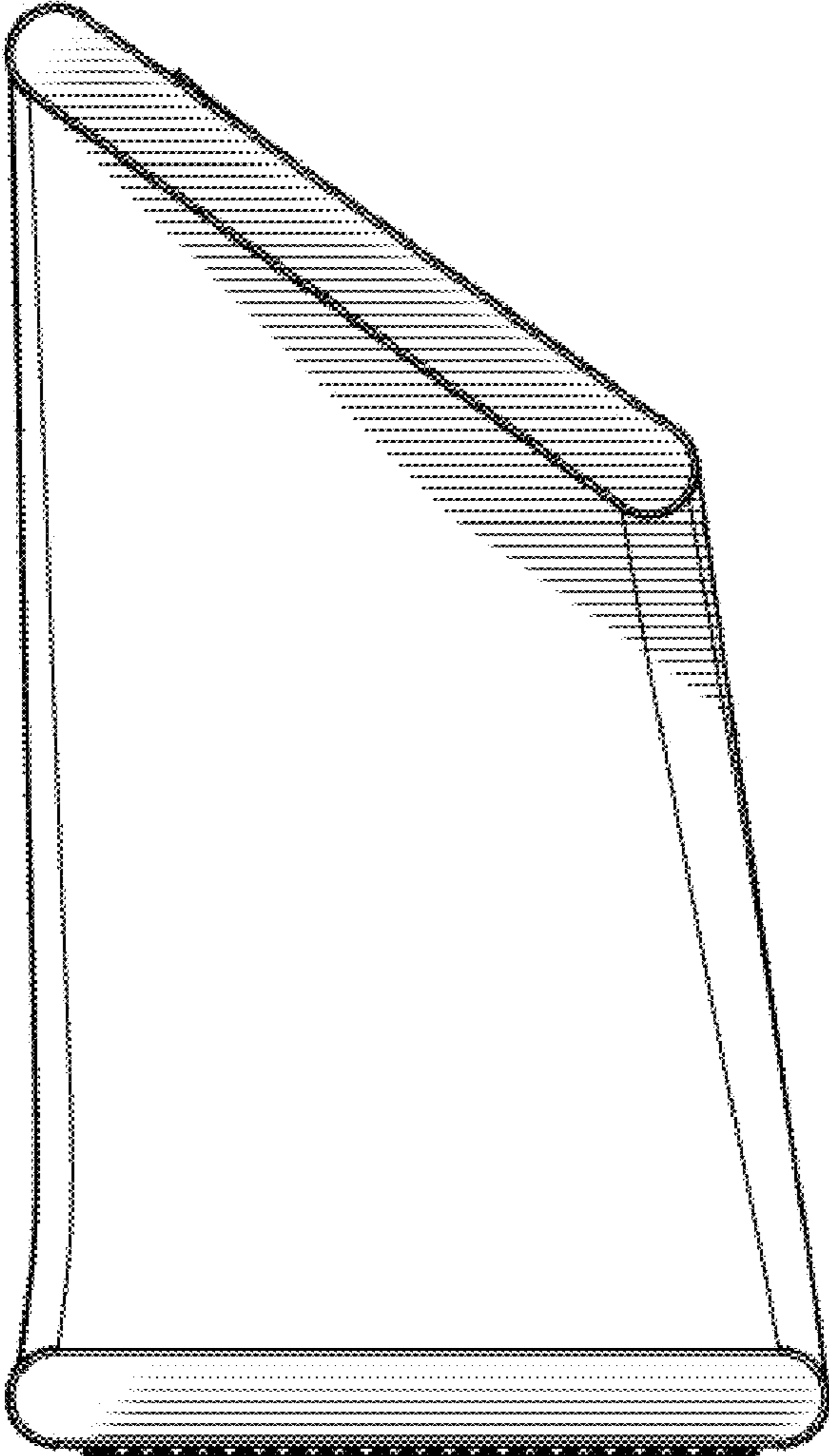


FIG. 4

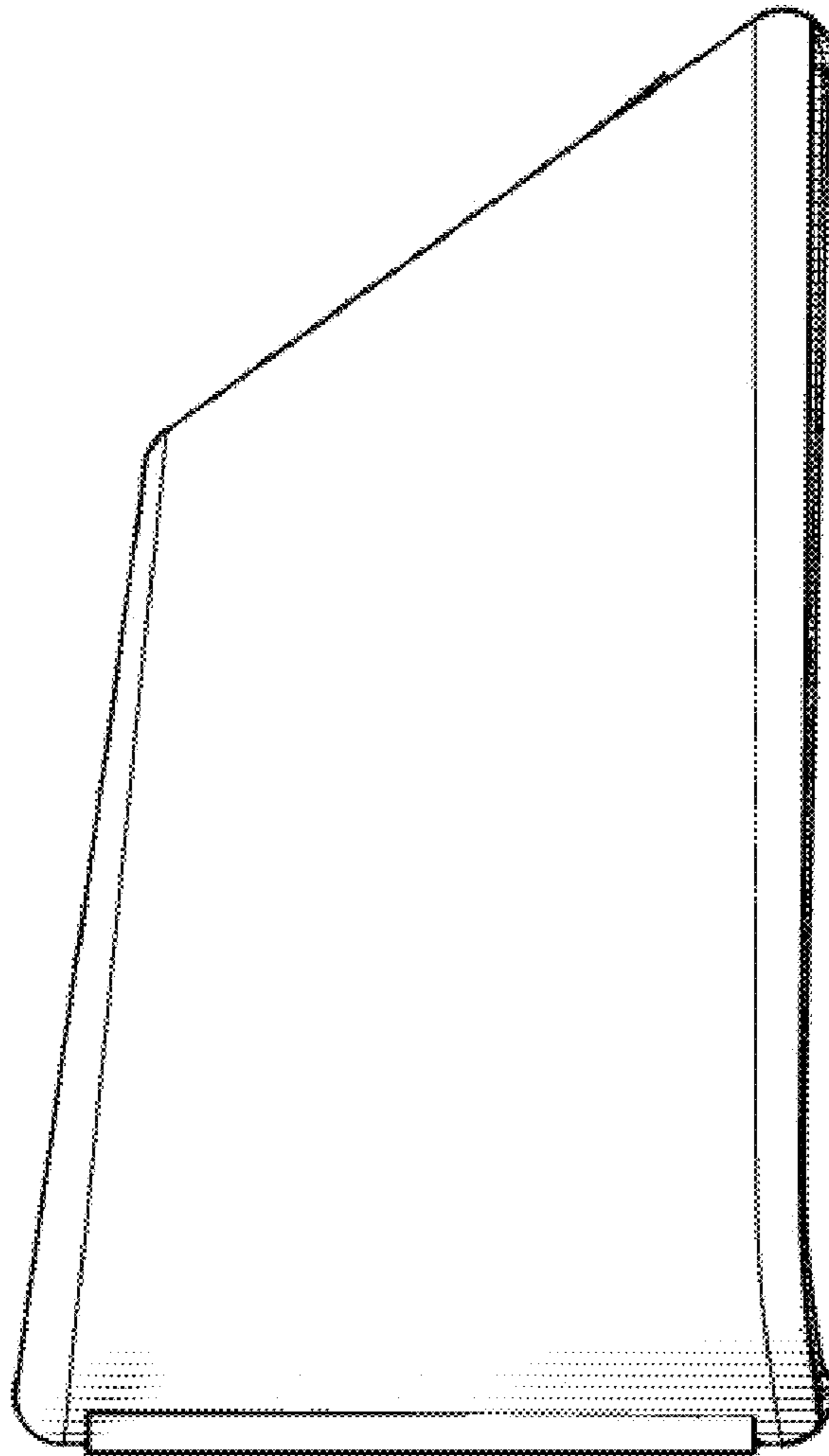


FIG. 5

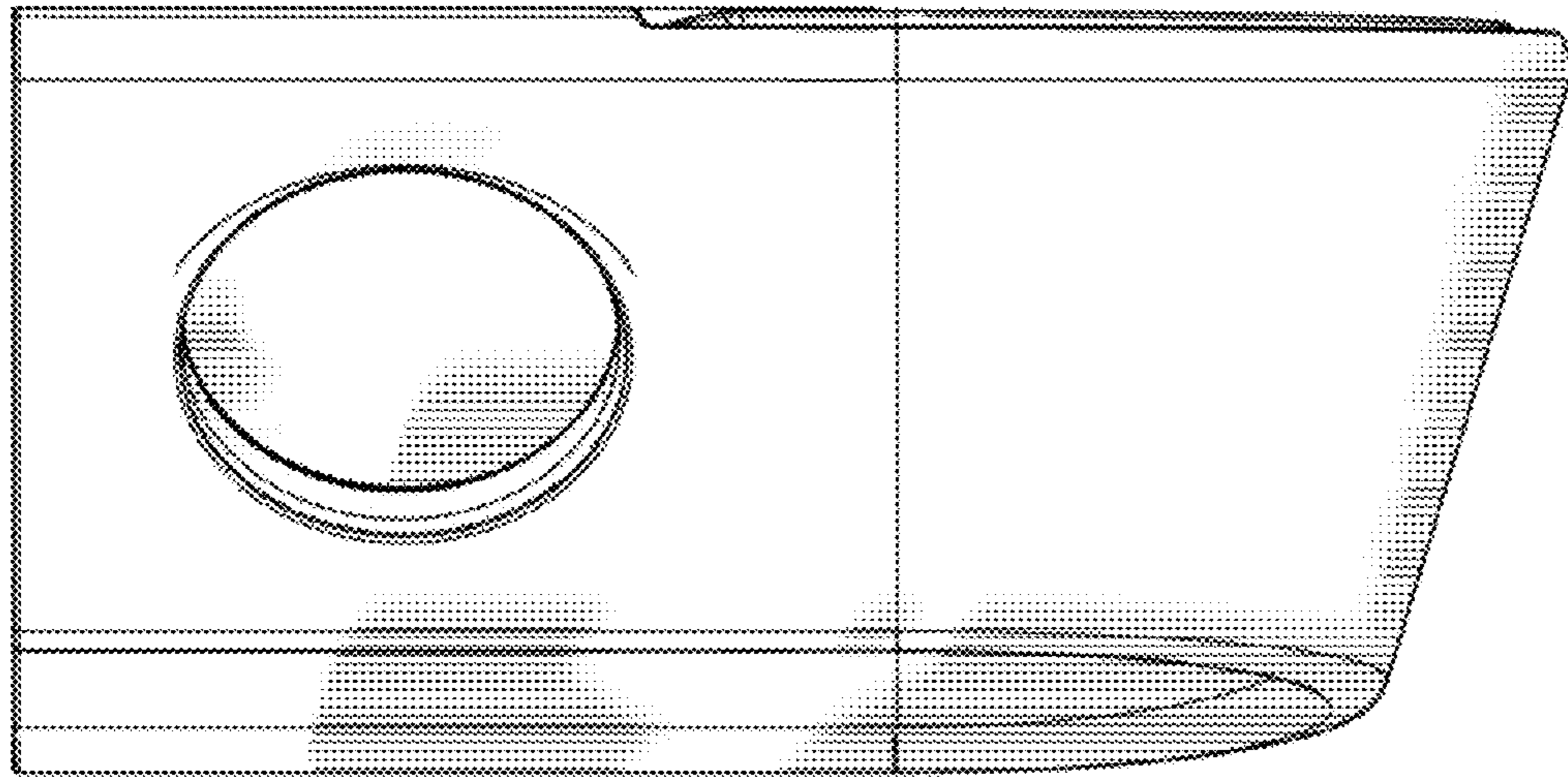


FIG. 6

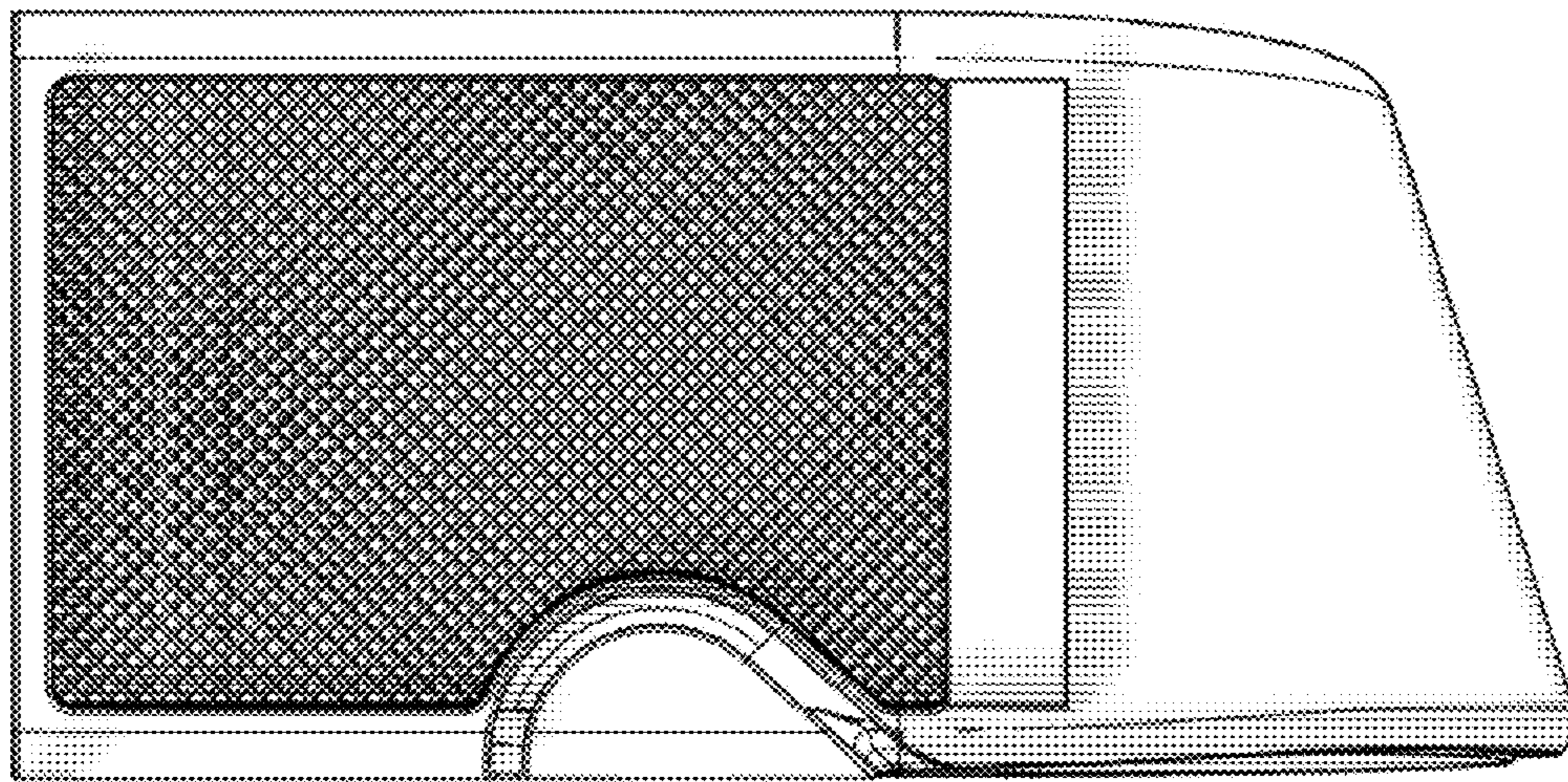


FIG. 7