



US00D751561S

(12) **United States Design Patent**
Guthrie et al.

(10) **Patent No.:** **US D751,561 S**
(45) **Date of Patent:** **** Mar. 15, 2016**

(54) **DOCKING STAND**

(71) Applicant: **DTT (HOLDINGS) PTY LTD,**
Toowong (AU)
(72) Inventors: **Mark Robert Guthrie,** Pullenvale (AU);
Benjamin Dunlop, Austin, TX (US);
David Benker, Austin, TX (US)
(73) Assignee: **DTT (Holdings) Pty Ltd** (AU)
(**) Term: **14 Years**

(21) Appl. No.: **29/511,528**

(22) Filed: **Dec. 11, 2014**

(30) **Foreign Application Priority Data**

Jun. 19, 2014 (AU) 13012/2014

(51) **LOC (10) Cl.** **14-02**

(52) **U.S. Cl.**
USPC **D14/434**

(58) **Field of Classification Search**
USPC D14/432-434, 314, 204, 420, 421, 447,
D14/217, 358, 138 R, 140, 142, 253;
D13/107, 108, 146; D8/373;
248/346.03, 176.1; 361/679.41,
361/679.31, 679.32, 679.4, 679.43, 679.55,
361/679.58, 679.33; 320/107, 109,
320/112-115; 710/15, 303; 455/557;
439/347, 534
CPC H02J 7/0042; H02J 7/00; H01R 31/065;
H01M 10/44; F16M 11/10; G06F 1/1632
See application file for complete search history.

(56) **References Cited**

U.S. PATENT DOCUMENTS

D351,133 S *	10/1994	Jungels-Butler	D13/108
7,075,579 B2 *	7/2006	Whitby	H04N 1/00204 348/207.99
7,643,283 B2 *	1/2010	Jubelirer	G06F 1/1632 361/679.41
D640,699 S *	6/2011	McParland	D13/107
D667,403 S *	9/2012	Maus	D13/107
D709,893 S *	7/2014	Sale	D14/434
2003/0048599 A1 *	3/2003	Martin	F21L 4/005 361/679.56

* cited by examiner

Primary Examiner — Freda S Nunn

(74) *Attorney, Agent, or Firm* — Barnes & Thornburg LLP

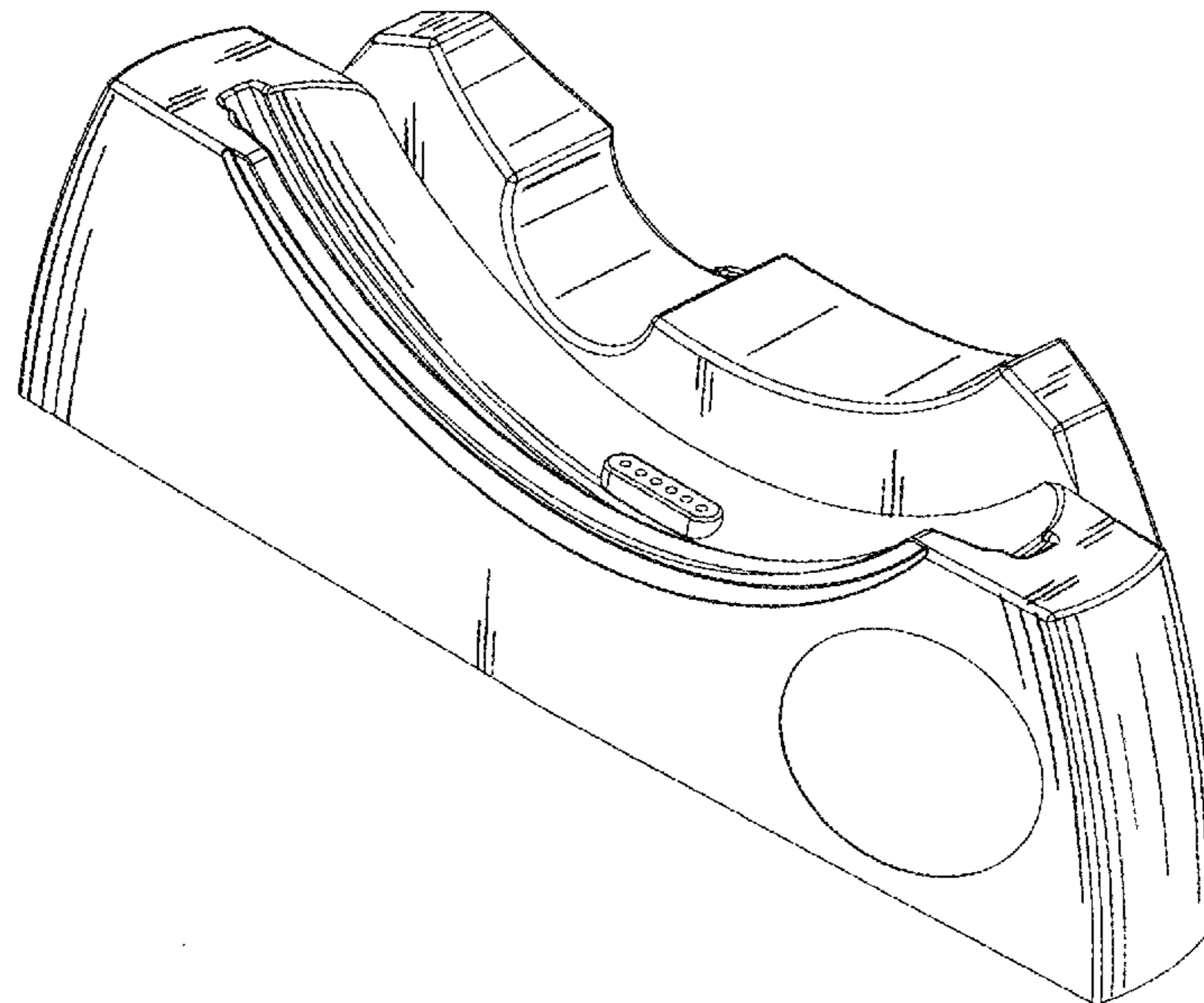
(57) **CLAIM**

The ornamental design for a docking stand, as shown and described.

DESCRIPTION

FIG. 1 is an isometric view from the front and above of our docking stand,
FIG. 2 is an isometric view from the rear and above thereof,
FIG. 3 is a front elevational view thereof,
FIG. 4 is a rear elevational view thereof,
FIG. 5 is a top plan view thereof,
FIG. 6 is a left side elevational view thereof,
FIG. 7 is a right side elevational view thereof; and,
FIG. 8 is a bottom view thereof.

1 Claim, 8 Drawing Sheets



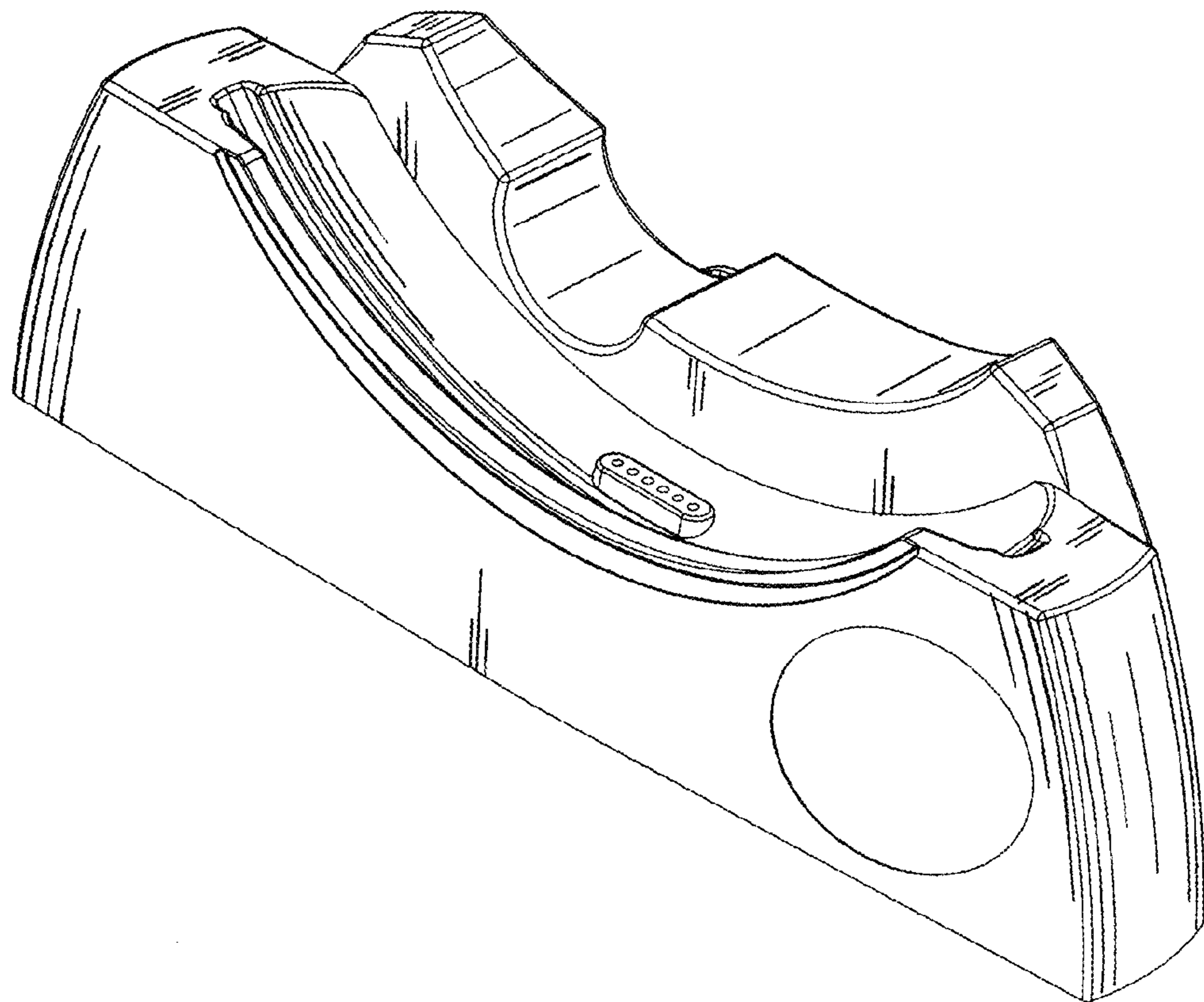


FIG 1

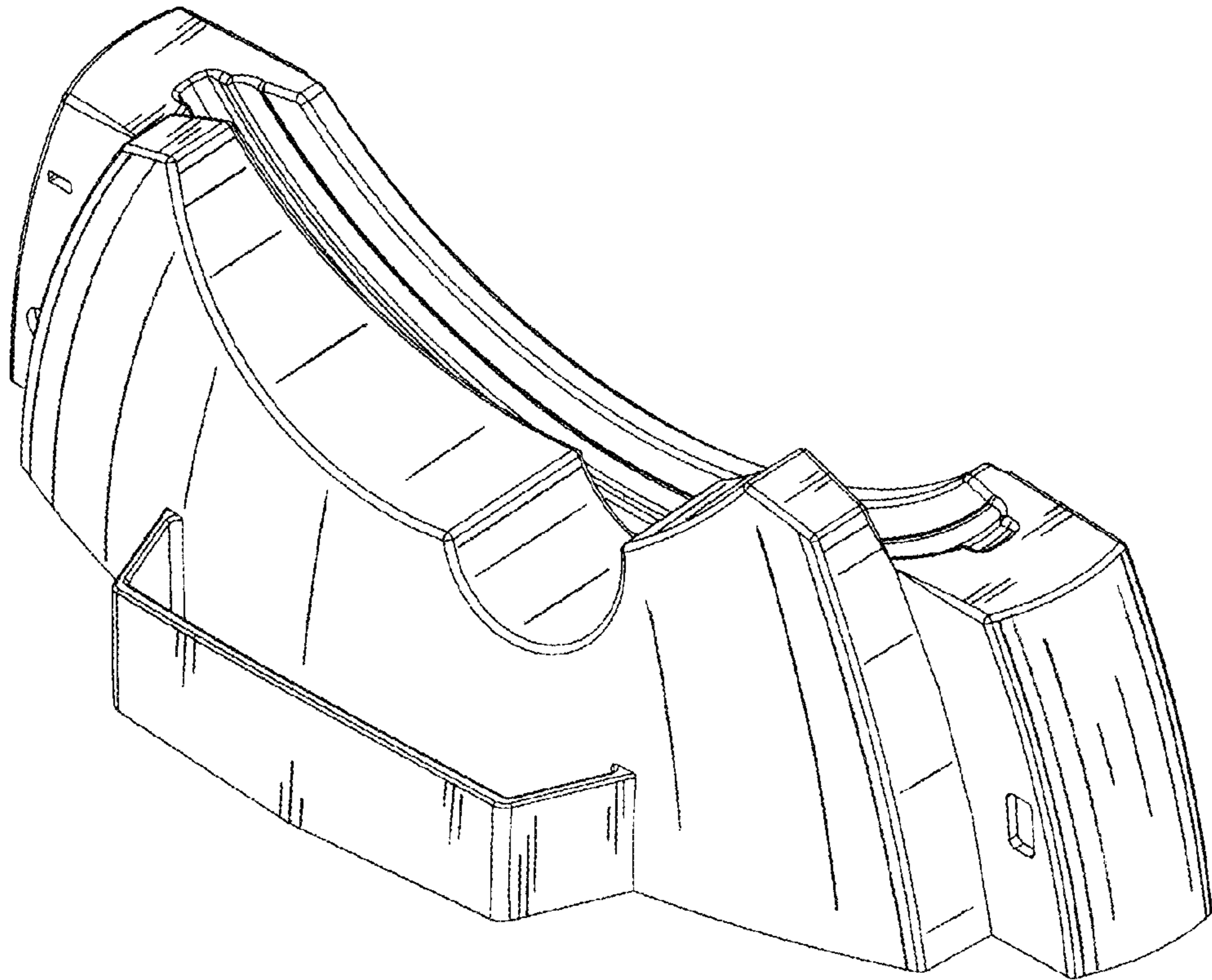


FIG 2

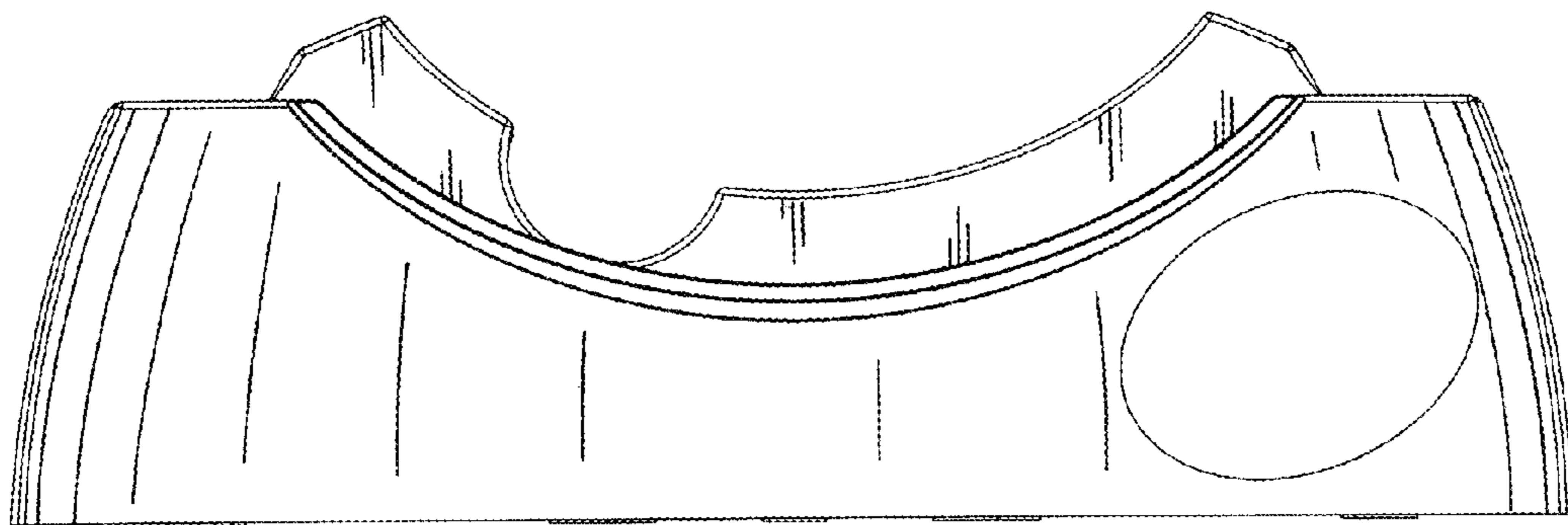


FIG 3

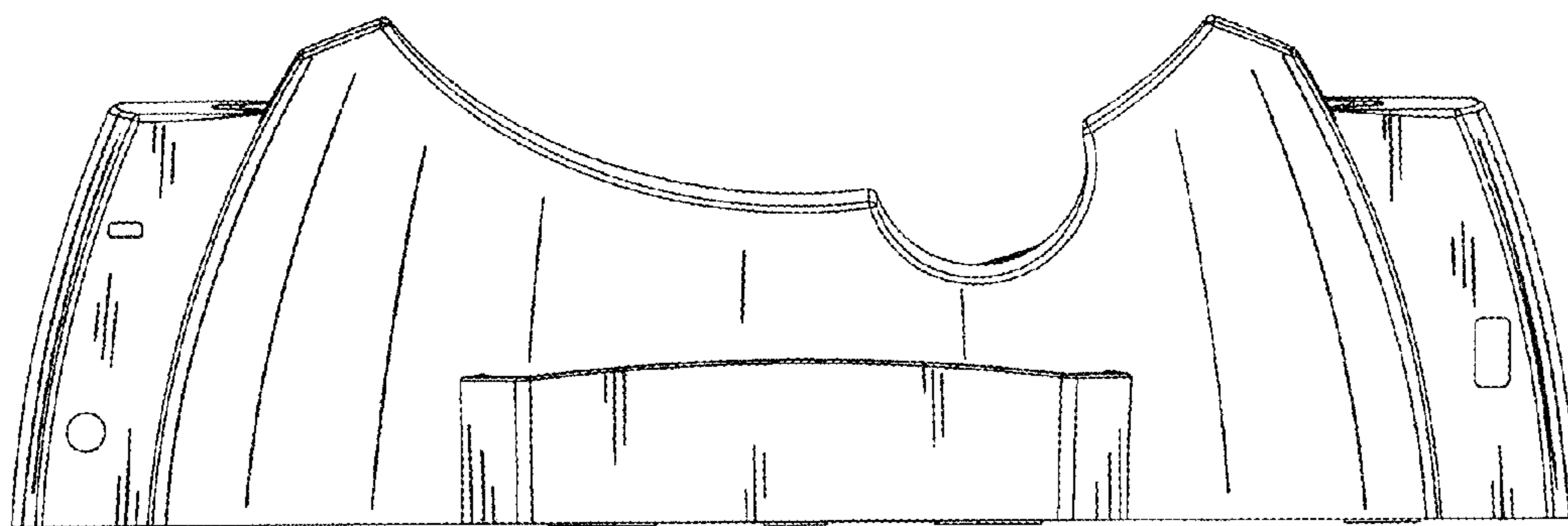


FIG 4

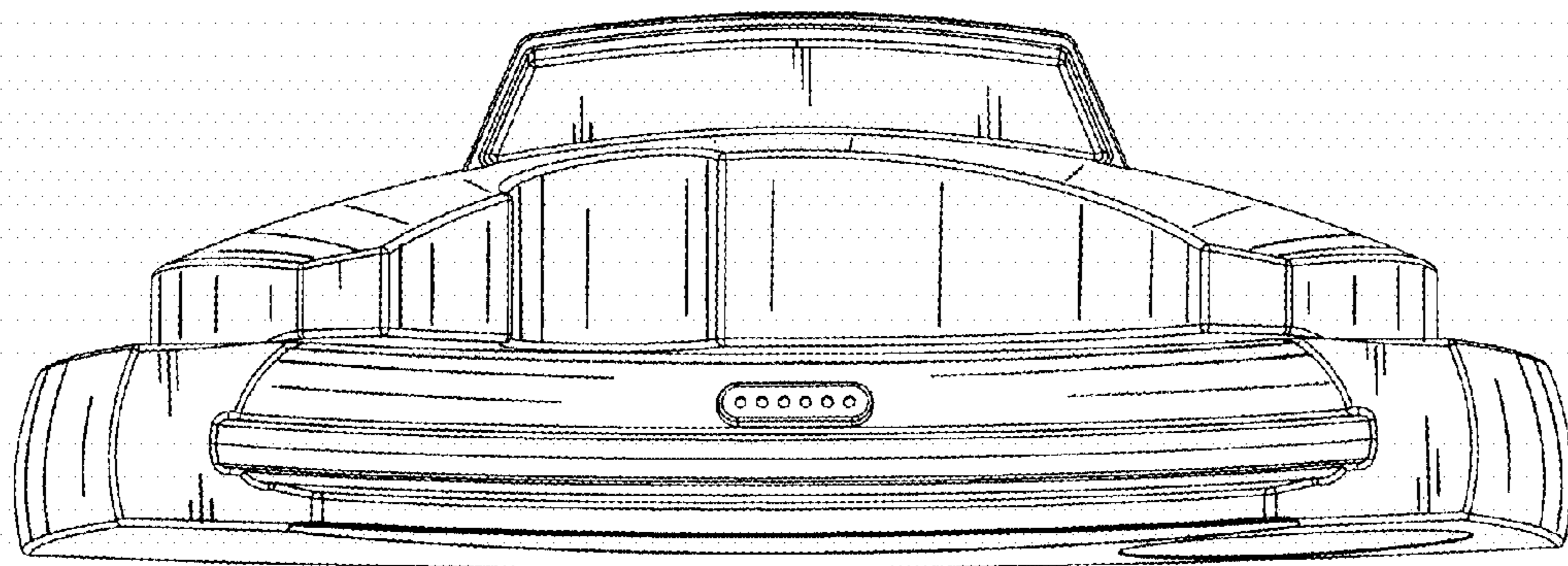


FIG 5

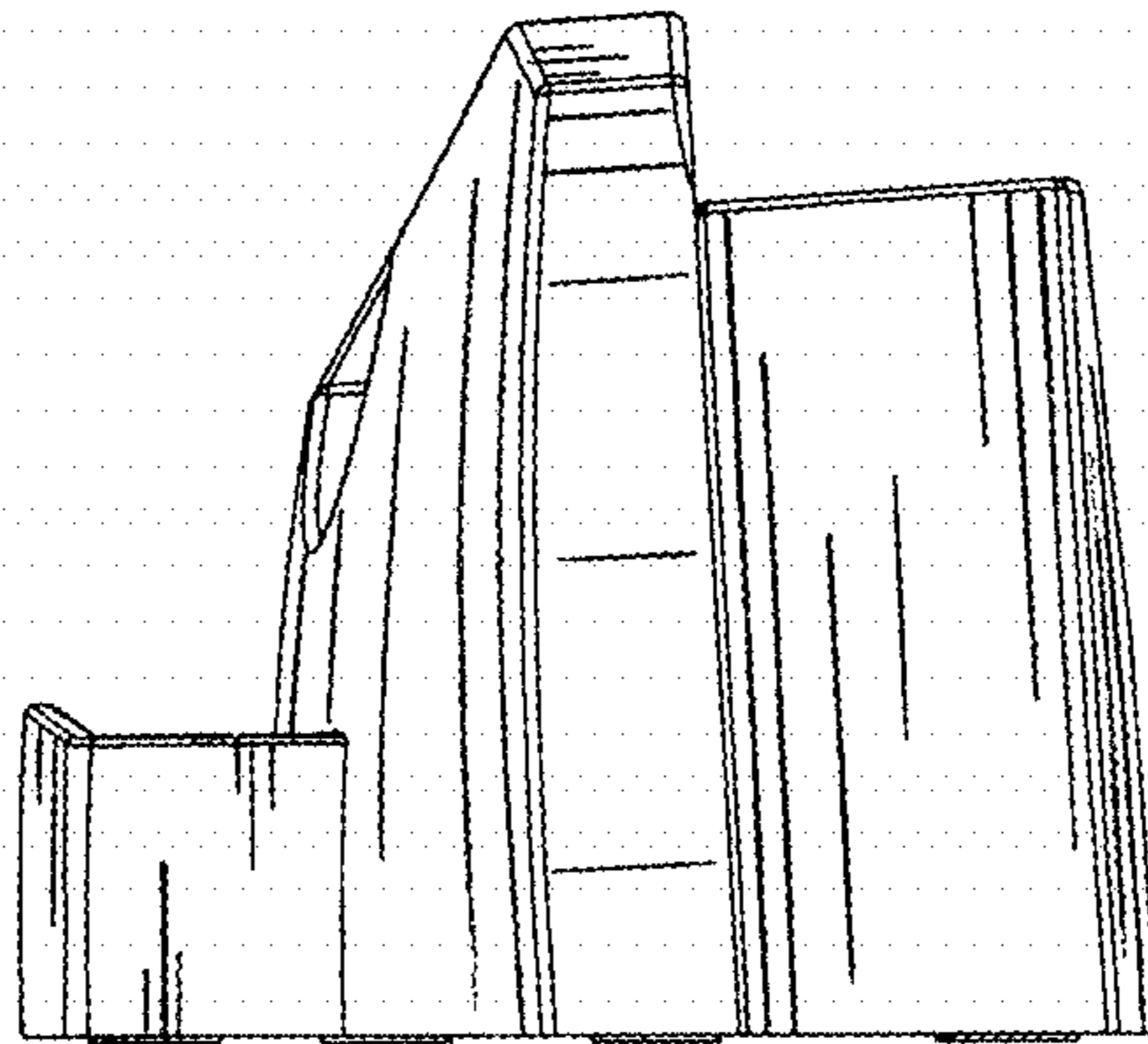


FIG 6

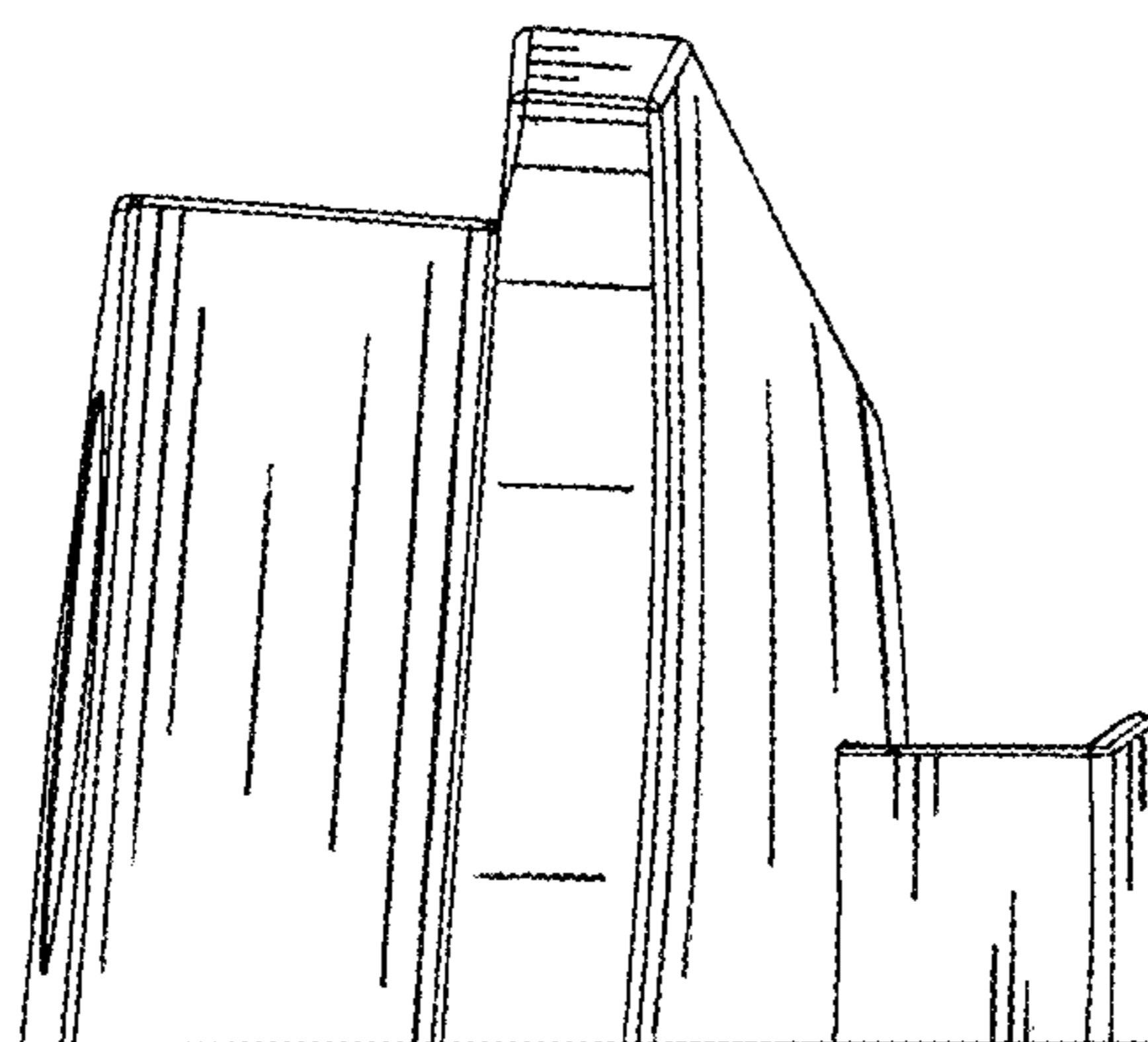


FIG 7

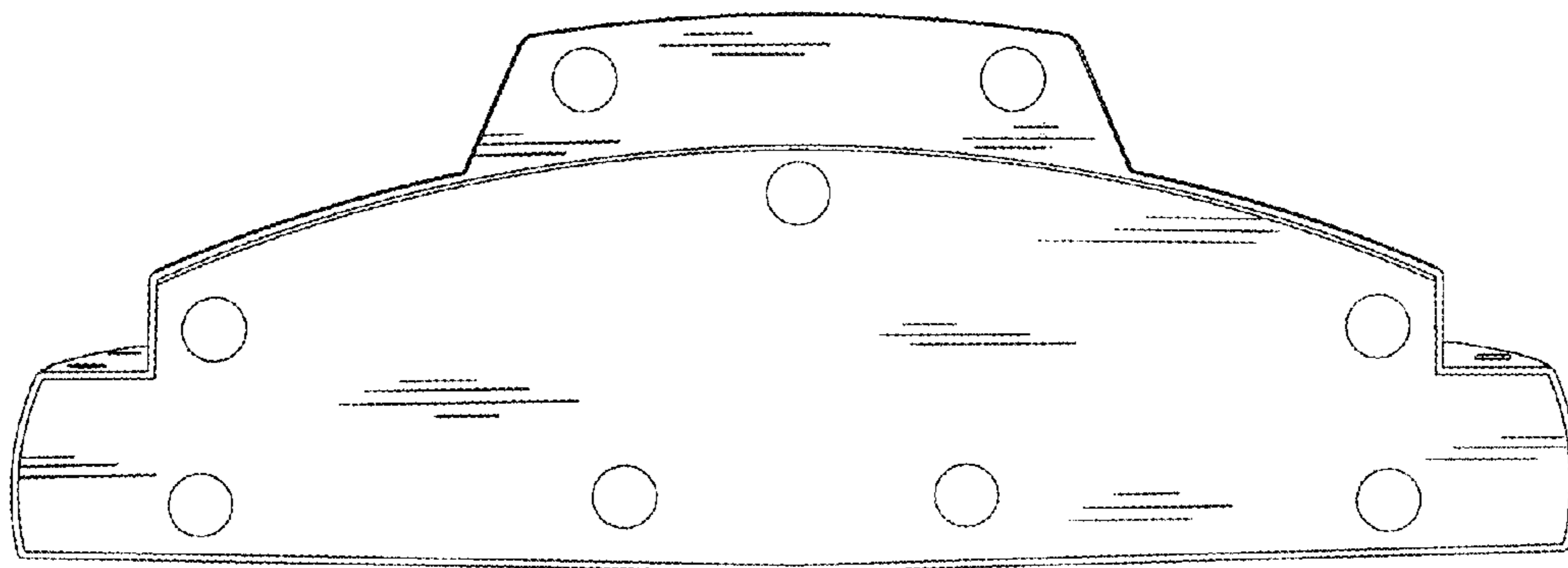


FIG 8