



US00D751556S

(12) **United States Design Patent**
Conley et al.

(10) **Patent No.:** **US D751,556 S**
(45) **Date of Patent:** **** Mar. 15, 2016**

(54) **OVERLAY**

(71) Applicant: **Belkin International, Inc.**, Playa Vista, CA (US)

(72) Inventors: **William P. Conley**, Long Beach, CA (US); **Justin Jakobson**, Venice, CA (US)

(73) Assignee: **Belkin International, Inc.**, Playa Vista, CA (US)

(**) Term: **14 Years**

(21) Appl. No.: **29/477,414**

(22) Filed: **Dec. 20, 2013**

(51) **LOC (10) Cl.** **14-02**

(52) **U.S. Cl.**
USPC **D14/432**

(58) **Field of Classification Search**
USPC D14/316–319, 432–439, 442, 451–454, D14/496, 495, 391, 385, 367, 356; D8/331, D8/330; D18/50, 4.6, 4.5; 439/630, 635, 439/639, 160; 360/2; 235/492, 486, 479, 235/380
CPC G06F 1/1643; G06F 1/169; H04B 1/3888
See application file for complete search history.

(56) **References Cited**

U.S. PATENT DOCUMENTS

D305,648 S * 1/1990 Edington D14/450
5,069,732 A 12/1991 Levine

(Continued)

FOREIGN PATENT DOCUMENTS

CN 202623469 12/2012
CN 202896928 4/2013

(Continued)

OTHER PUBLICATIONS

Amzer—Kristal Screen Protectors—<http://www.amzer.com/kristal/>.
MyScreenPROTECTOR—<https://www.myscreenprotector.com/?Ing=3&view=cms&txt=about-my-screen-protector>.

PureGear—PureTek Roll-On Kit—<http://www.pure-gear.com/shop-by-category/screen/puretek-roll-on-kit-antibacterial-antiglare-anti-fingerprint.html>.

Tylt Alin Perfect Alignment Screen Protection—<http://www.tylt.com/alin/>.

Zagg Introduces invisibleSHIELD on Demand and invisible Shield Glass at CES 2—<http://investors.zagg.com/releasedetail.cfm?ReleaseID=817526>.

(Continued)

Primary Examiner — Austin Murphy

(74) *Attorney, Agent, or Firm* — Bryan Cave LLP

(57) **CLAIM**

We claim the ornamental design for the overlay, substantially as shown and described.

DESCRIPTION

FIG. 1 is a top perspective view of an overlay, according to a first embodiment;

FIG. 2 is a bottom perspective view of the overlay, according to the first embodiment;

FIG. 3 is a top plan view of the overlay, according to the first embodiment;

FIG. 4 is a side elevational view of the overlay, according to the first embodiment, where the opposite side elevational view is a mirror image thereof;

FIG. 5 is a bottom plan view of the overlay, according to the first embodiment;

FIG. 6 is a top perspective view of the overlay in a folded configuration, according to the first embodiment;

FIG. 7 is a top perspective view of an overlay, according to a second embodiment;

FIG. 8 is a bottom perspective view of the overlay, according to the second embodiment;

FIG. 9 is a top plan view of the overlay, according to the second embodiment;

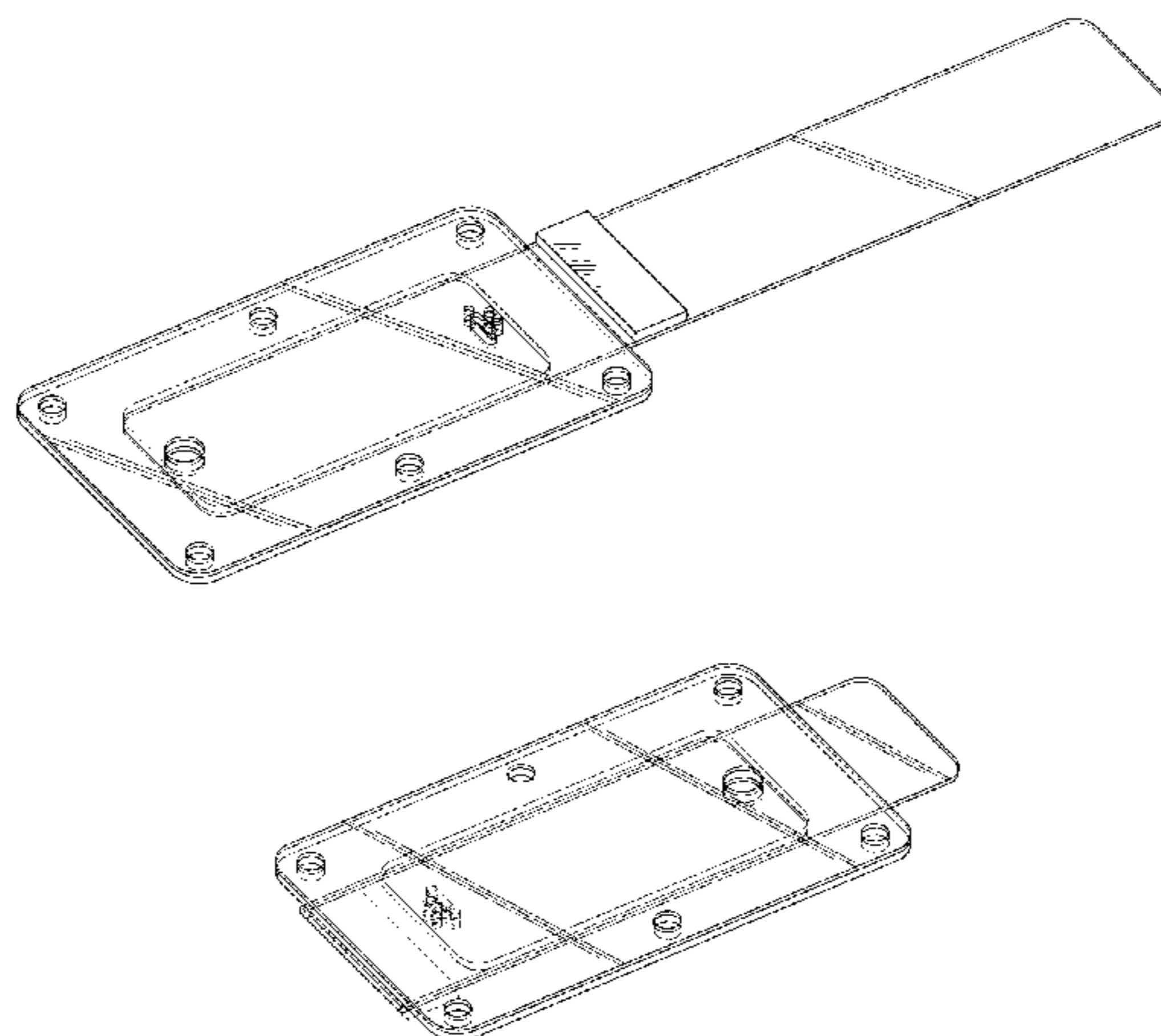
FIG. 10 is a side elevational view of the overlay, according to the second embodiment, where the opposite side elevational view is a mirror image thereof;

FIG. 11 is a bottom plan view of the overlay, according to the second embodiment; and,

FIG. 12 is a top perspective view of the overlay in a folded configuration, according to the second embodiment.

The evenly dashed broken lines of the various embodiments of the overlay are directed to environment and are for illustrative purposes only; the evenly dashed broken lines form no part of the claimed design.

1 Claim, 6 Drawing Sheets



(56)

References Cited

U.S. PATENT DOCUMENTS

5,680,709 A 10/1997 Stone
 6,406,758 B1 6/2002 Bottari et al.
 D598,024 S * 8/2009 Scott et al. D14/432
 7,957,524 B2 6/2011 Chipping
 7,966,861 B2 6/2011 Yee et al.
 D651,214 S * 12/2011 Yoo et al. D14/448
 D665,809 S * 8/2012 Wang et al. D14/439
 8,369,072 B1 2/2013 Alonzo et al.
 8,393,377 B2 3/2013 Patel et al.
 D690,704 S * 10/2013 Padilla et al. D14/440
 D715,301 S * 10/2014 Ashcraft et al. D14/439
 D720,353 S * 12/2014 Nakamura D14/432
 D729,235 S * 5/2015 Nagao et al. D14/341
 2004/0109096 A1 6/2004 Anderson et al.
 2004/0246386 A1 12/2004 Thomas et al.
 2007/0115621 A1 5/2007 Guillen
 2007/0229962 A1 10/2007 Mason, Jr.
 2007/0247793 A1 10/2007 Carnevali
 2007/0293282 A1* 12/2007 Lewis et al. 455/575.1
 2009/0186181 A1 7/2009 Mase
 2011/0206887 A1 8/2011 Kim
 2011/0267793 A1 11/2011 Cohen
 2011/0279383 A1 11/2011 Wilson et al.
 2011/0309608 A1 12/2011 Flynn et al.
 2012/0043015 A1 2/2012 Feller

2012/0087072 A1 4/2012 McGuire et al.
 2012/0110868 A1 5/2012 Abbondanzio
 2012/0183712 A1 7/2012 Leonhard et al.
 2012/0211168 A1 8/2012 Patel et al.
 2012/0268394 A1 10/2012 Hsu et al.
 2013/0020005 A1 1/2013 Koblick et al.
 2013/0040088 A1 2/2013 Hirayama et al.
 2013/0048203 A1 2/2013 Yau et al.
 2013/0156999 A1 6/2013 Braesch et al.
 2015/0041069 A1* 2/2015 Wadsworth et al. 156/535
 2015/0047773 A1* 2/2015 Wadsworth et al. 156/182
 2015/0107767 A1* 4/2015 Wadsworth et al. 156/324

FOREIGN PATENT DOCUMENTS

CN 202967060 6/2013
 JP 10199422 7/1998
 JP 2002049327 2/2002
 JP 2002057764 2/2002
 JP 2003066419 3/2003
 JP 2006145918 6/2006
 JP 2006155452 6/2006
 JP 3124275 8/2006
 KR 101176316 8/2012
 WO 2011163151 12/2011
 WO 2012074802 6/2012

* cited by examiner

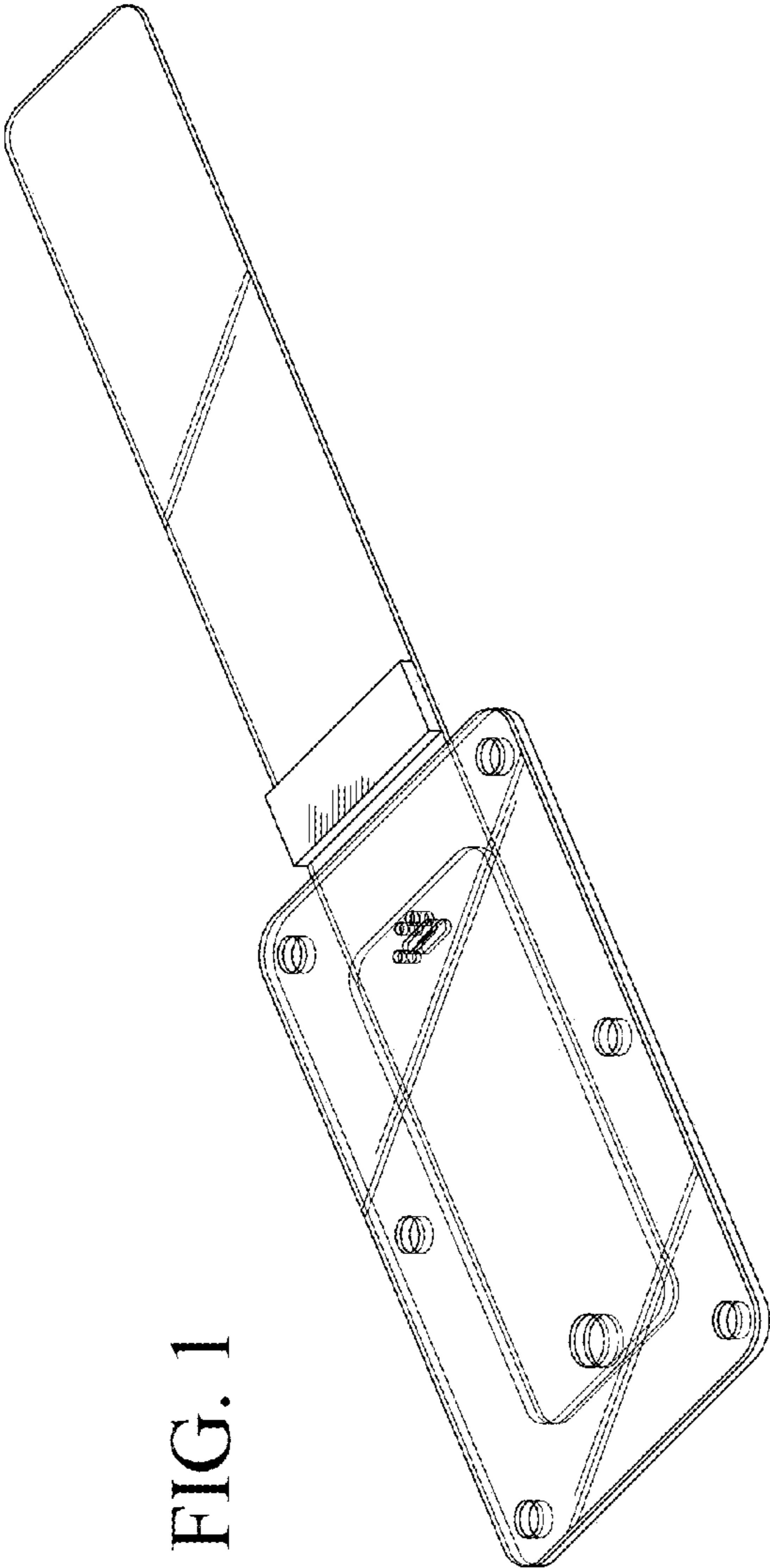


FIG. 1

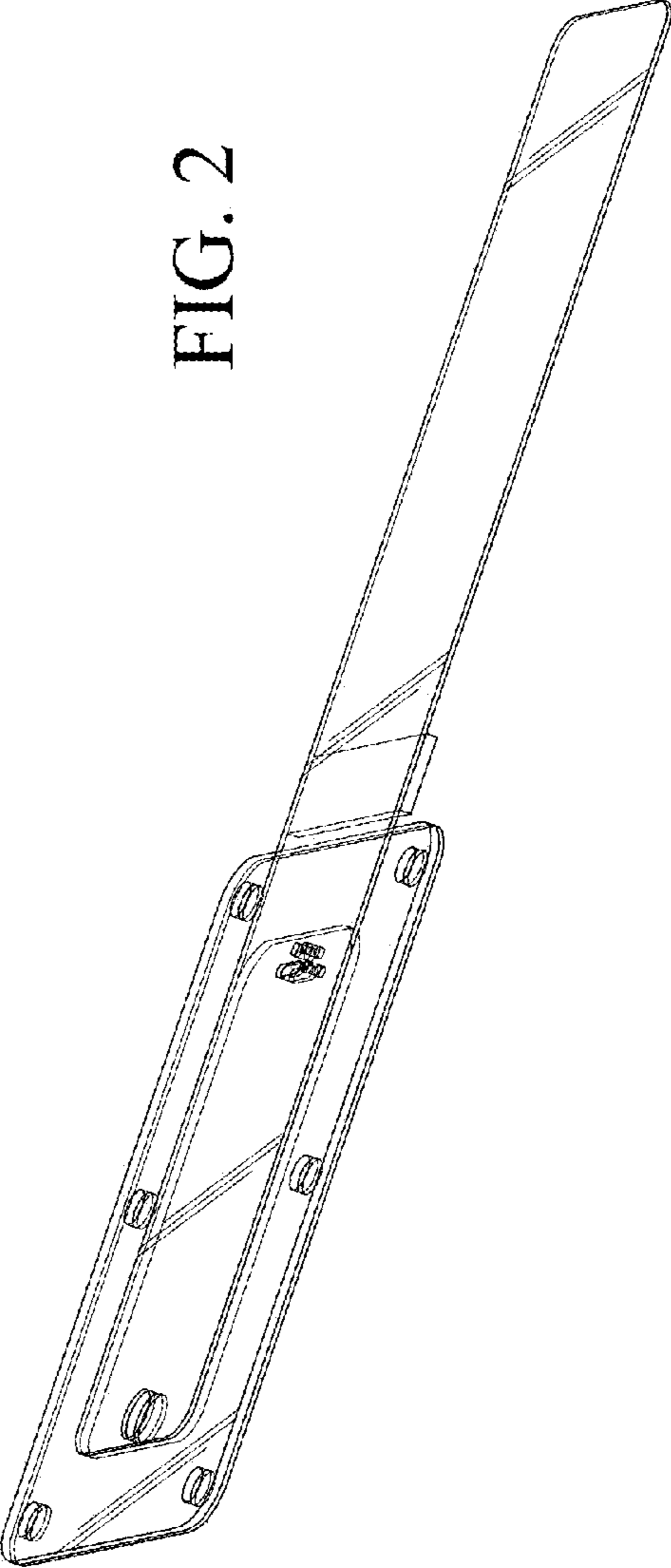


FIG. 2

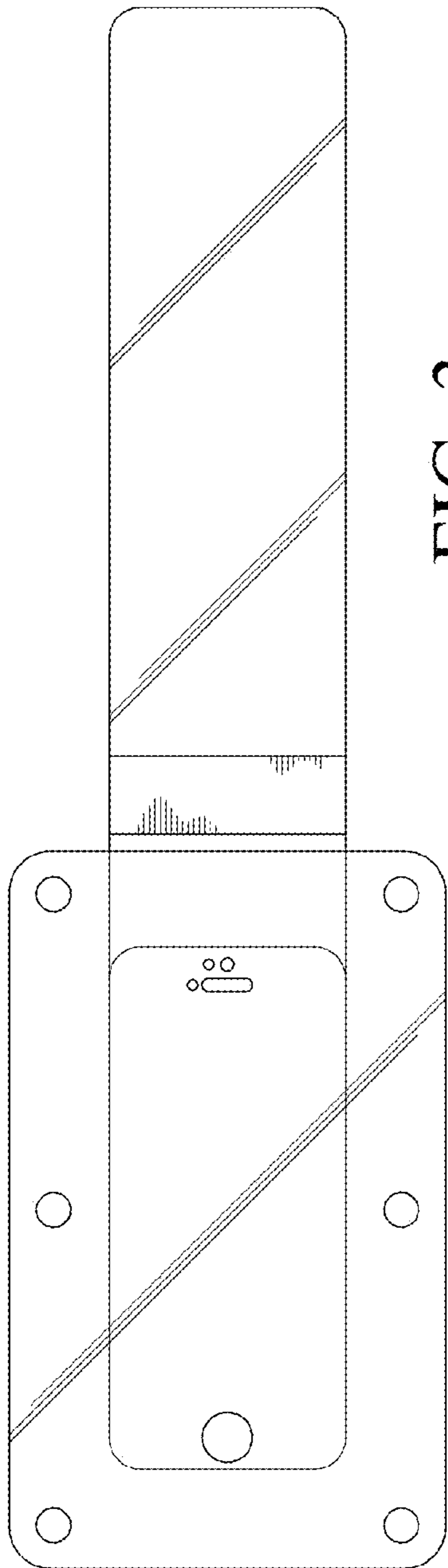


FIG. 3

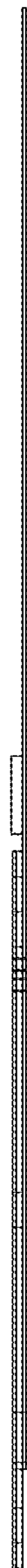


FIG. 4

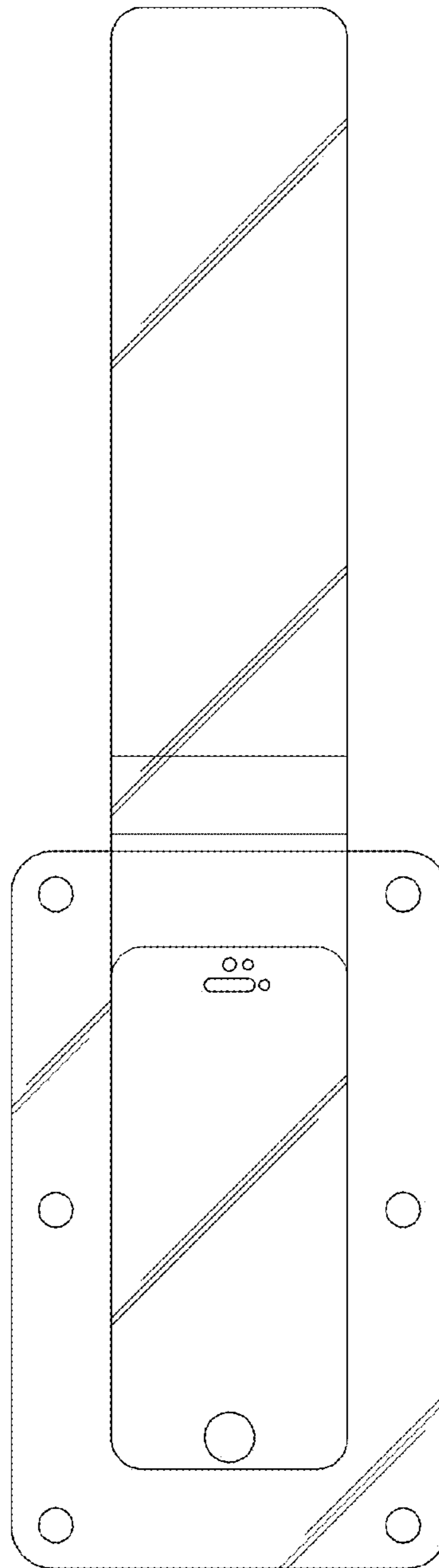


FIG. 5

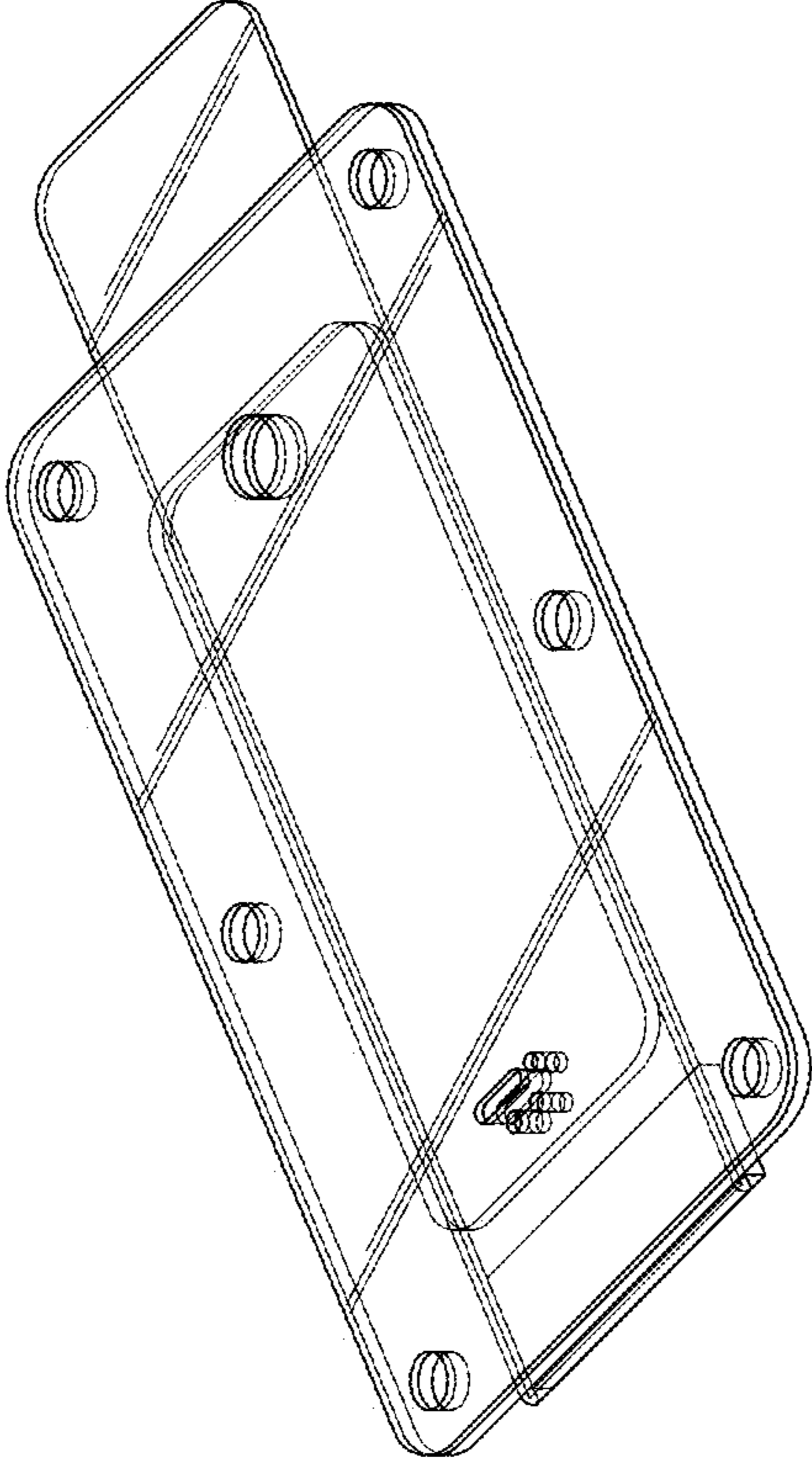
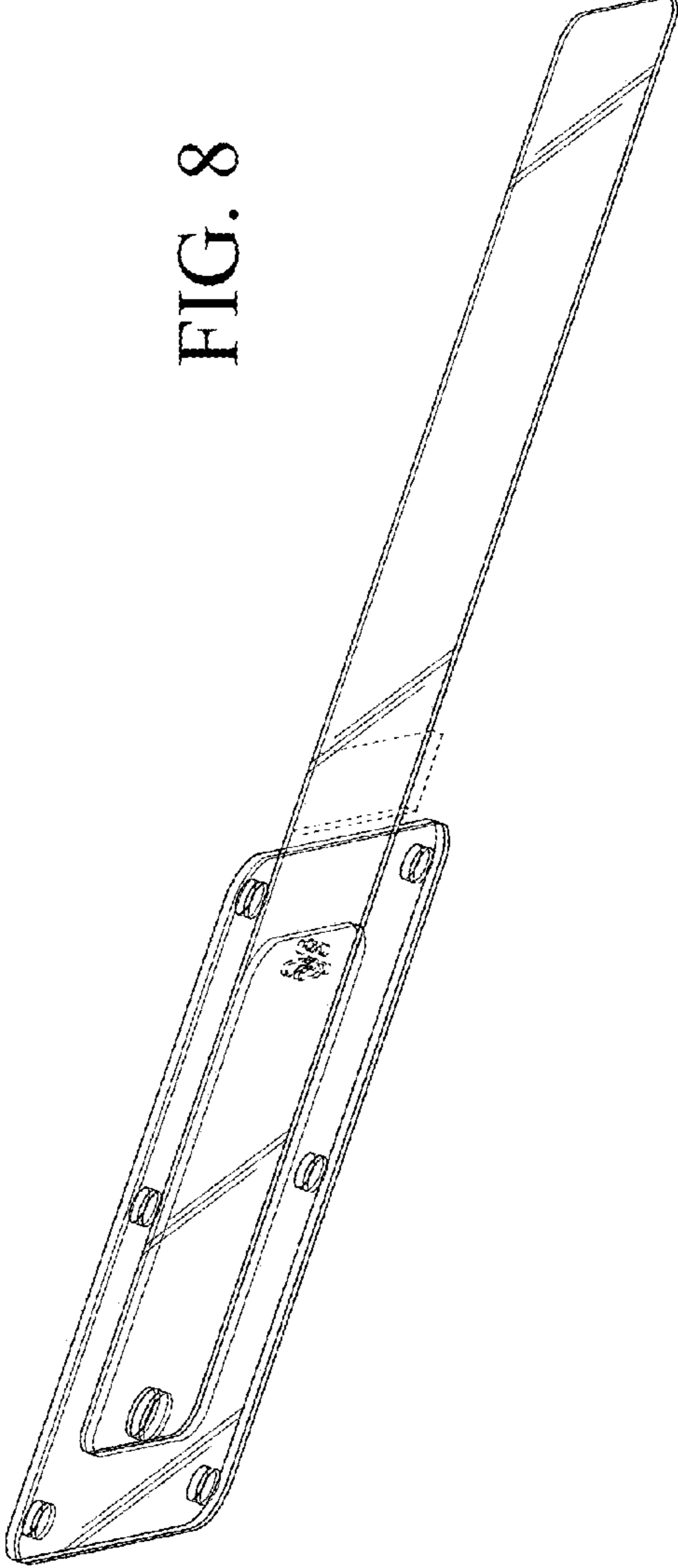
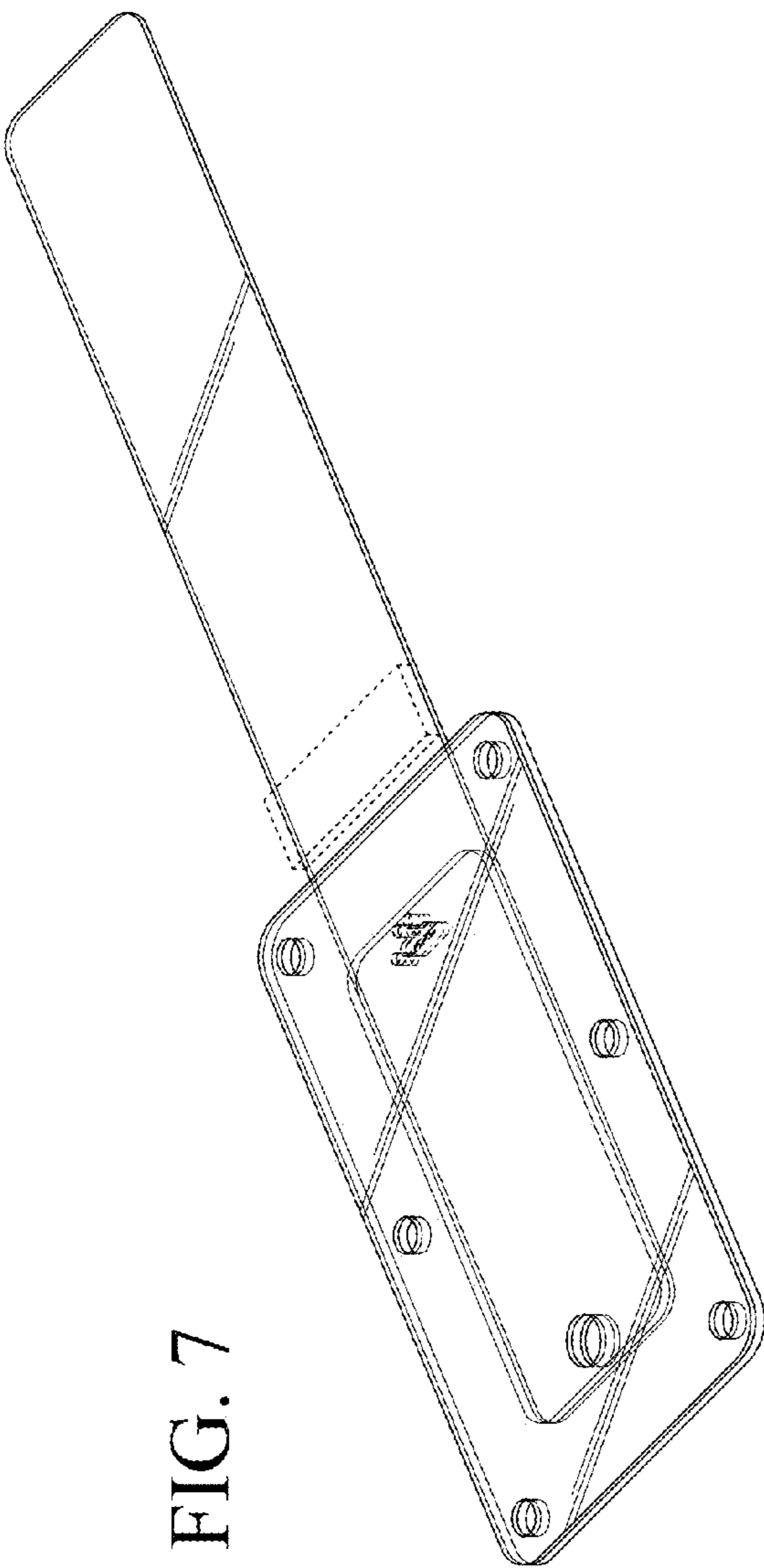


FIG. 6



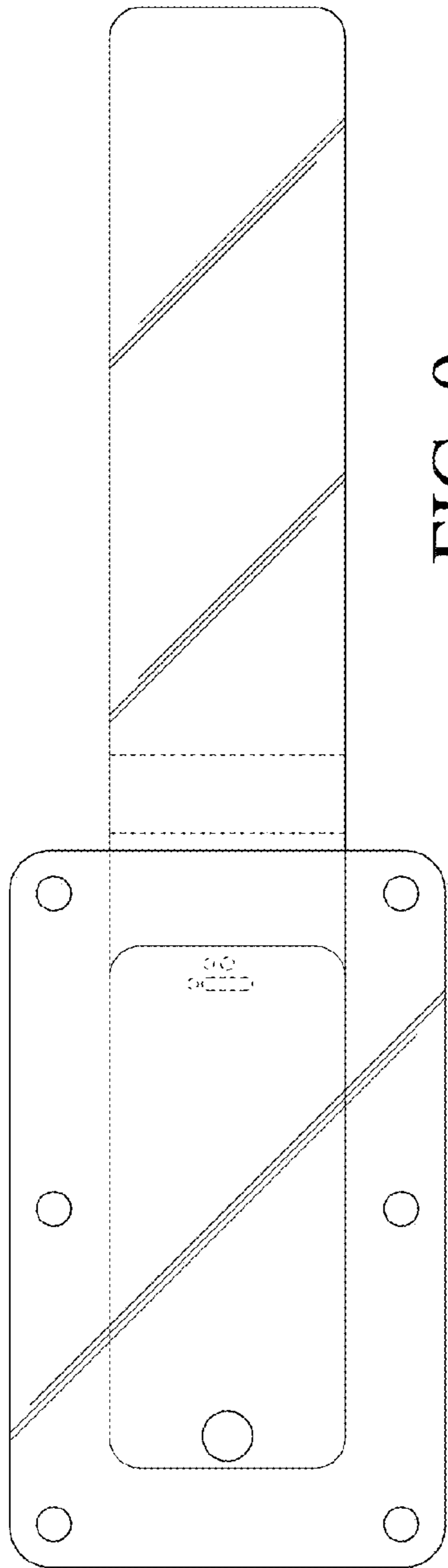


FIG. 9

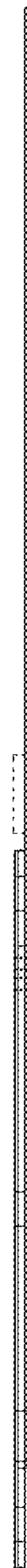


FIG. 10

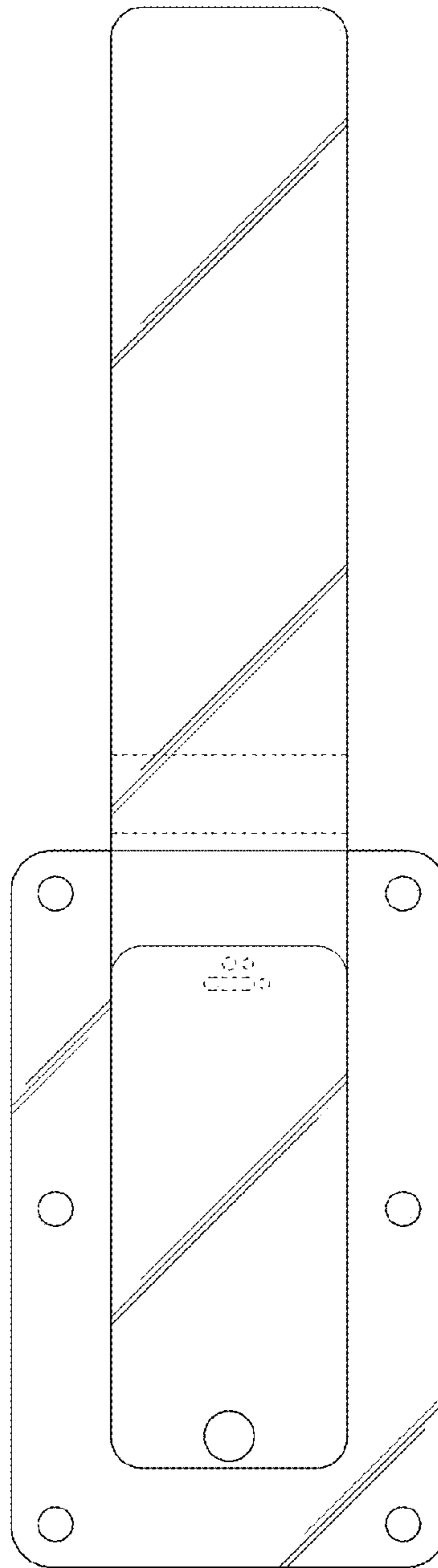


FIG. 11

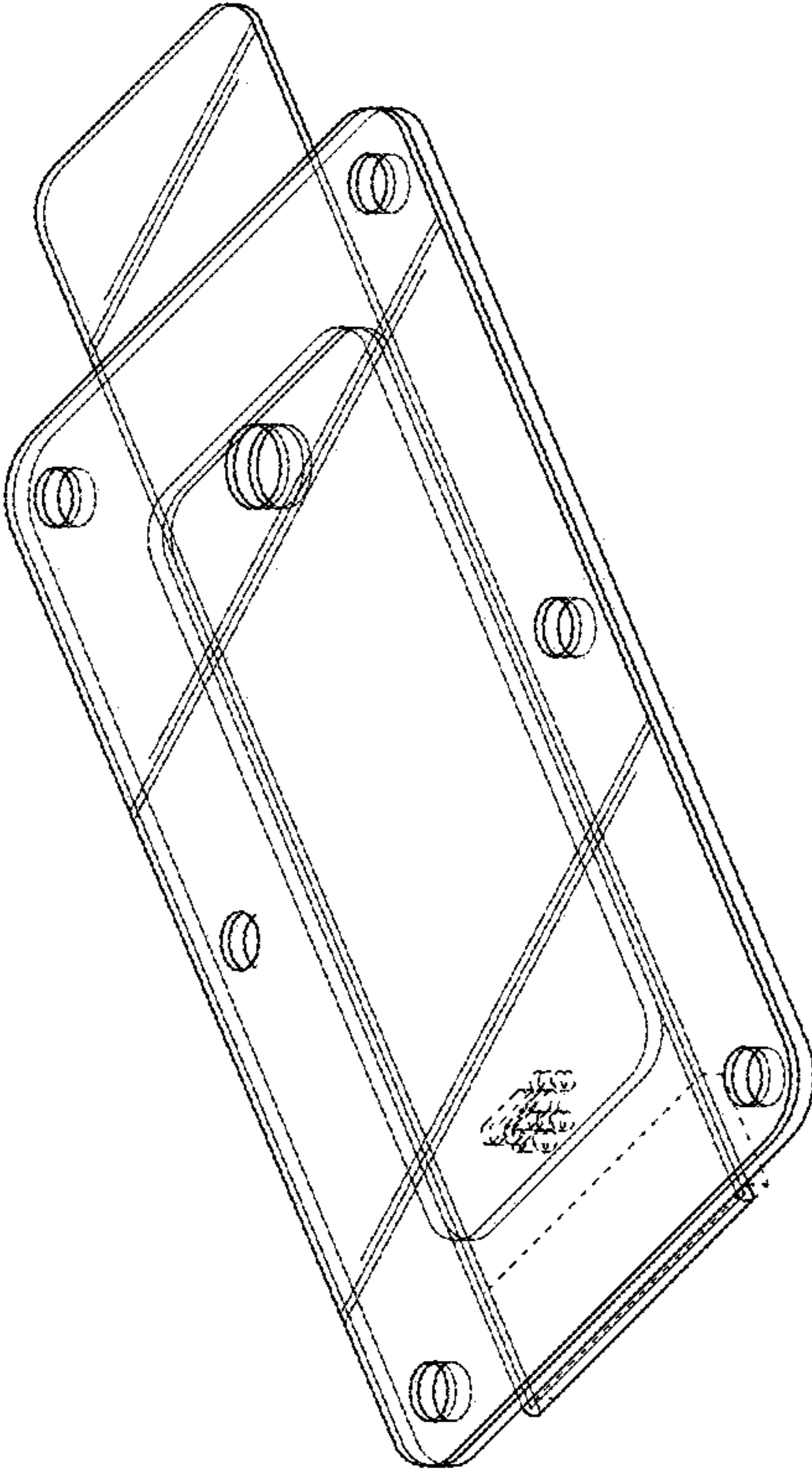


FIG. 12

UNITED STATES PATENT AND TRADEMARK OFFICE
CERTIFICATE OF CORRECTION

PATENT NO. : D751,556 S
APPLICATION NO. : 29/477414
DATED : March 15, 2016
INVENTOR(S) : Conley et al.

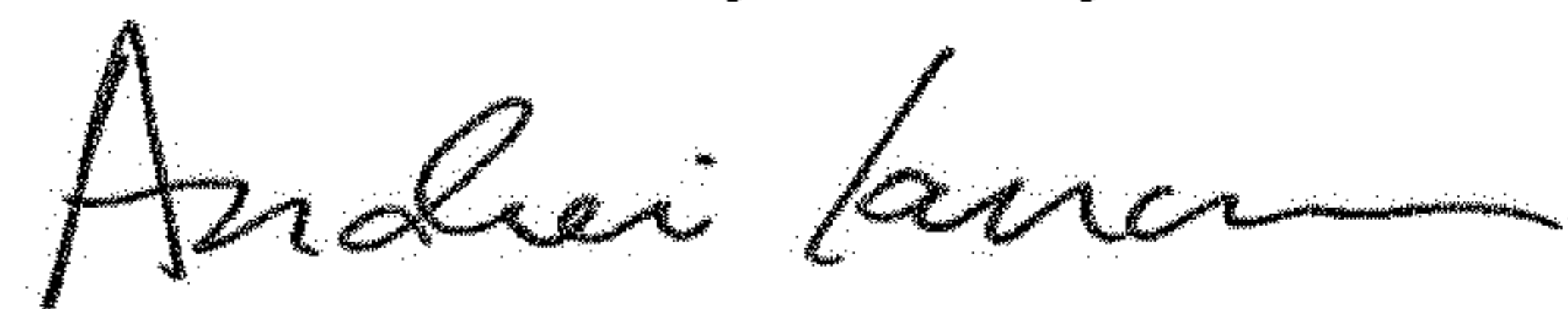
Page 1 of 1

It is certified that error appears in the above-identified patent and that said Letters Patent is hereby corrected as shown below:

On the Title Page

Item (72) Inventors should be changed to --William P. Conley, Long Beach, CA (US); Justin Jakobson, Venice, CA (US); John F. Wadsworth, Burbank, CA (US)--

Signed and Sealed this
Seventh Day of July, 2020



Andrei Iancu
Director of the United States Patent and Trademark Office