



US00D751555S

(12) **United States Design Patent**
Mori et al.

(10) **Patent No.:** **US D751,555 S**
(45) **Date of Patent:** **** Mar. 15, 2016**

(54) **PROBE CARD CASE**

(56) **References Cited**

(71) Applicants: **Tokyo Electron Limited**, Tokyo (JP);
Japan Electronic Materials Corp.,
Amagasaki, Hyogo (JP)

(72) Inventors: **Chikaomi Mori**, Amagasaki (JP);
Takashi Amemiya, Nirasaki (JP)

(73) Assignee: **JAPAN ELECTRONIC MATERIALS**
CORP., Amagasaki (JP)

(**) Term: **14 Years**

(21) Appl. No.: **29/465,883**

(22) Filed: **Sep. 3, 2013**

(30) **Foreign Application Priority Data**

Mar. 5, 2013 (JP) 2013-004735

(51) **LOC (10) Cl.** **14-02**

(52) **U.S. Cl.**
USPC **D14/432**

(58) **Field of Classification Search**
USPC D14/432, 433, 439, 445, 446, 300, 348,
D14/302, 341, 441, 248, 453, 427, 426;
361/679.4, 679.45, 679.02, 679.31;
174/354, 359; 455/557, 41.2, 418, 566;
D10/30, 37, 39, 65; 345/2.3, 520
CPC H04B 1/38; H04B 7/00; H04M 3/00;
G09G 5/00; G06F 13/14

See application file for complete search history.

U.S. PATENT DOCUMENTS

5,608,335	A *	3/1997	Tailliet	324/750.3
D436,594	S *	1/2001	Ling	D14/432
6,344,754	B1 *	2/2002	Tamai	324/750.3
D485,560	S *	1/2004	Dearborn et al.	D14/432
6,788,082	B2 *	9/2004	Hirao	324/756.03
D501,664	S *	2/2005	Minamio et al.	D14/432
6,914,586	B2 *	7/2005	Burkhardt	345/87
7,307,440	B2 *	12/2007	Miller et al.	324/756.05
D608,362	S *	1/2010	Barron et al.	D14/424
D694,242	S *	11/2013	Cho	D14/432
D714,789	S *	10/2014	Chen et al.	D14/435
D717,800	S *	11/2014	Akana et al.	D14/432
D735,726	S *	8/2015	Chen	D14/439

* cited by examiner

Primary Examiner — Austin Murphy

(74) *Attorney, Agent, or Firm* — Pearne & Gordon LLP

(57) **CLAIM**

The ornamental design for probe card case, as shown and described.

DESCRIPTION

FIG. 1 is a front view of a probe card case illustrating our new design;
FIG. 2 is a rear view thereof;
FIG. 3 is a top plan view thereof;
FIG. 4 is a bottom view thereof;
FIG. 5 is a left side view thereof;
FIG. 6 is a right side view thereof;
FIG. 7 is a sectional view taken along line A-A of FIG. 1;
FIG. 8 is a sectional view taken along line B-B of FIG. 1;
FIG. 9 is a sectional view taken along line C-C of FIG. 1;
FIG. 10 is a sectional view taken along line D-D of FIG. 1;
and,
FIG. 11 is a reference perspective view thereof.

1 Claim, 11 Drawing Sheets

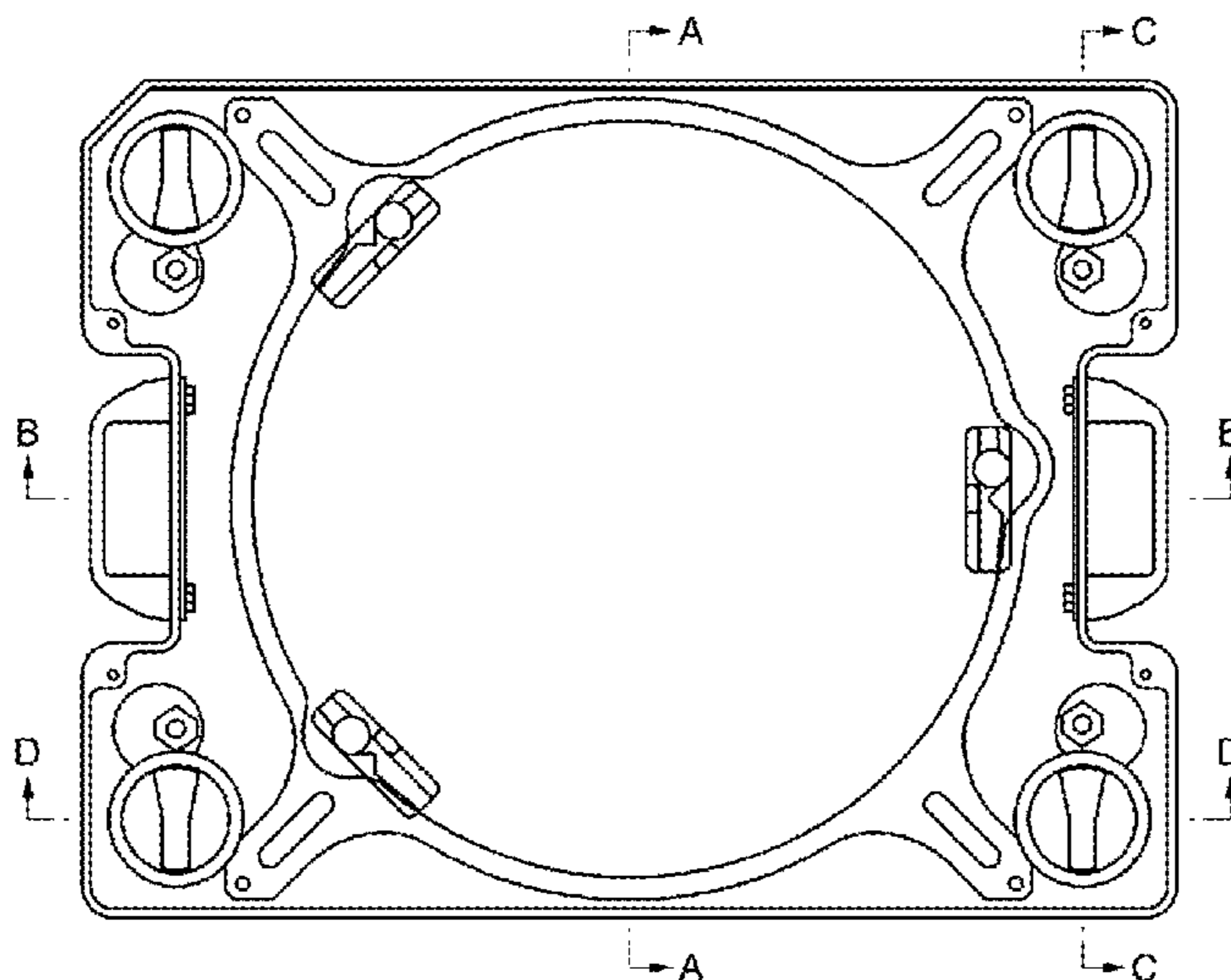


FIG. 1

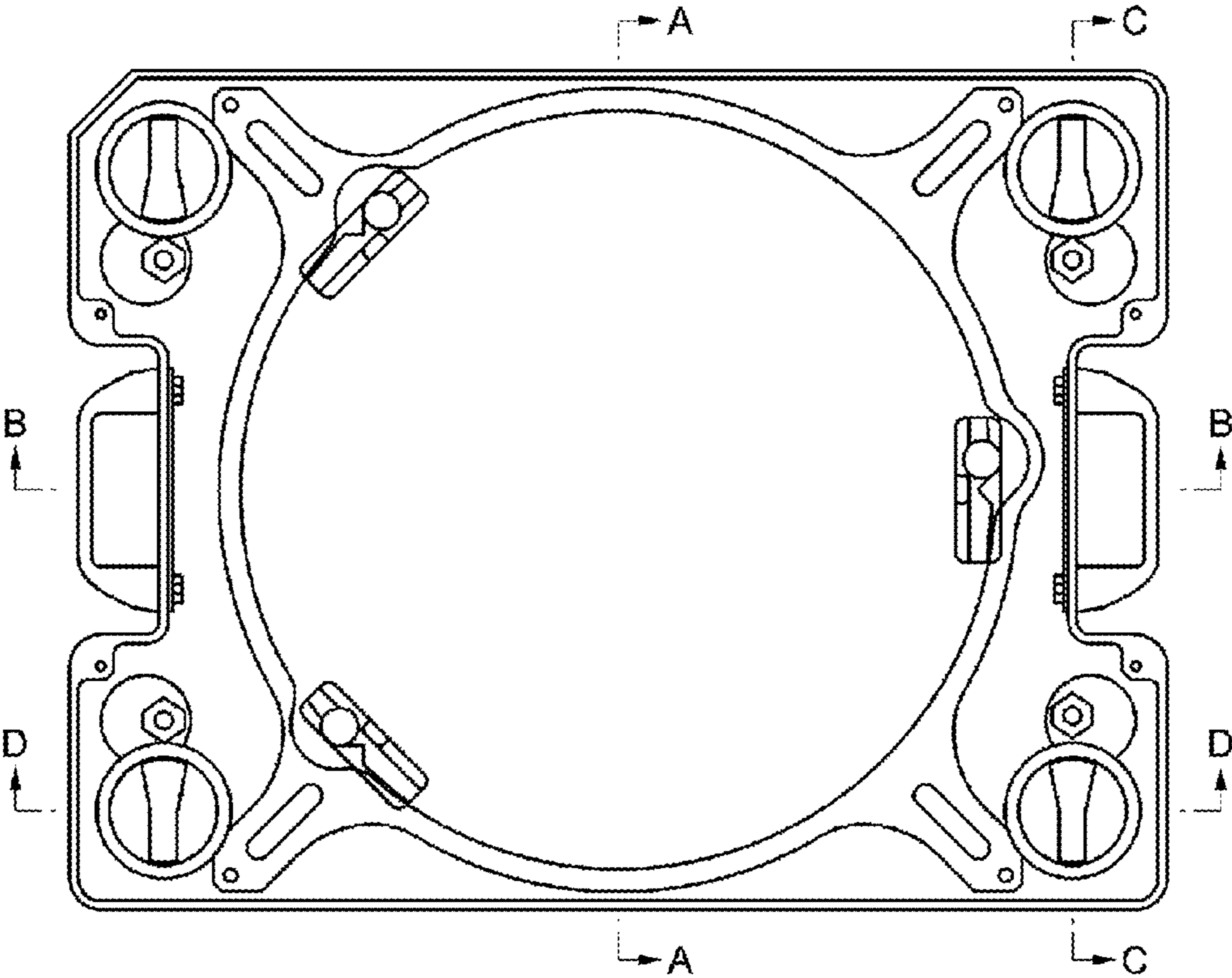


FIG. 2

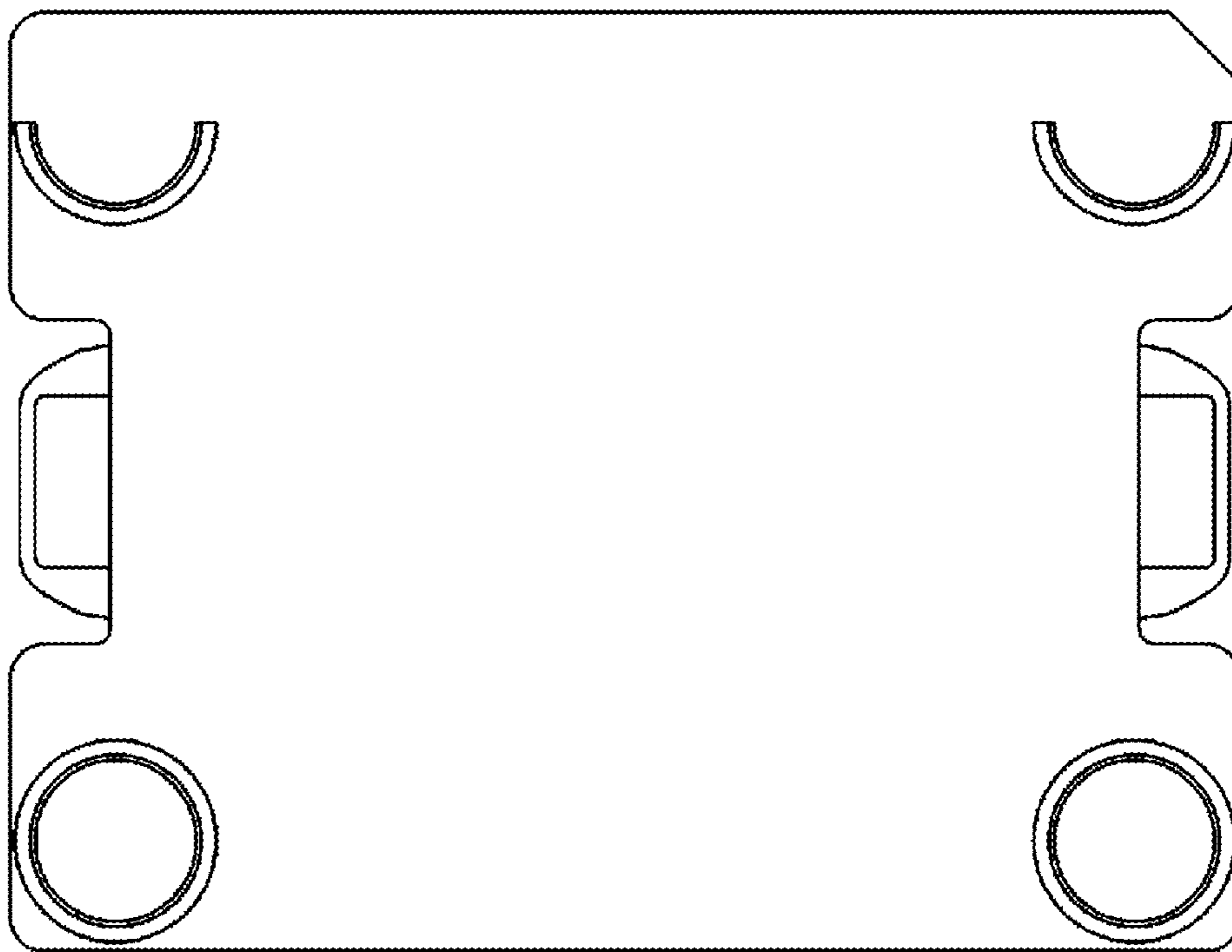


FIG. 3

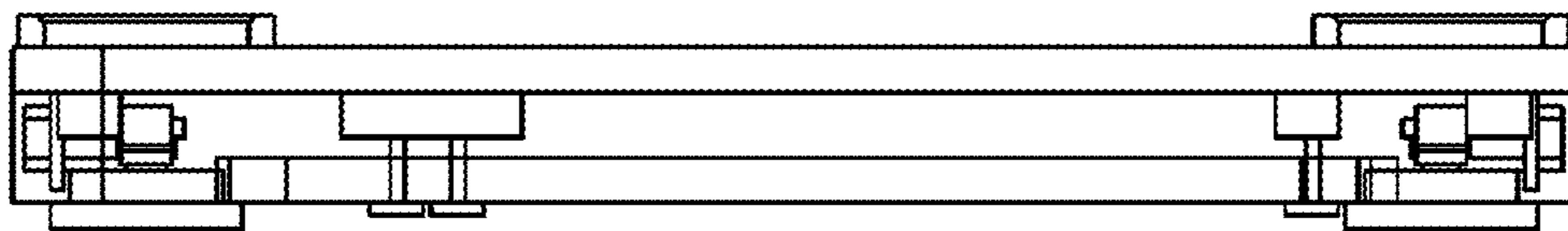


FIG. 4

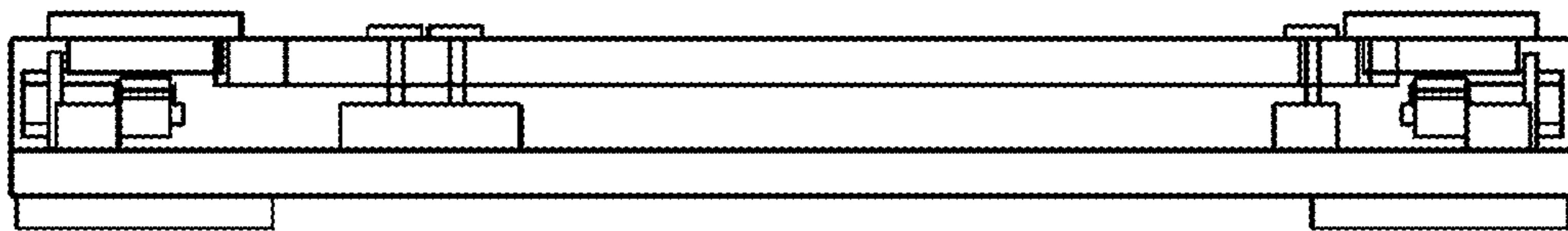


FIG. 5

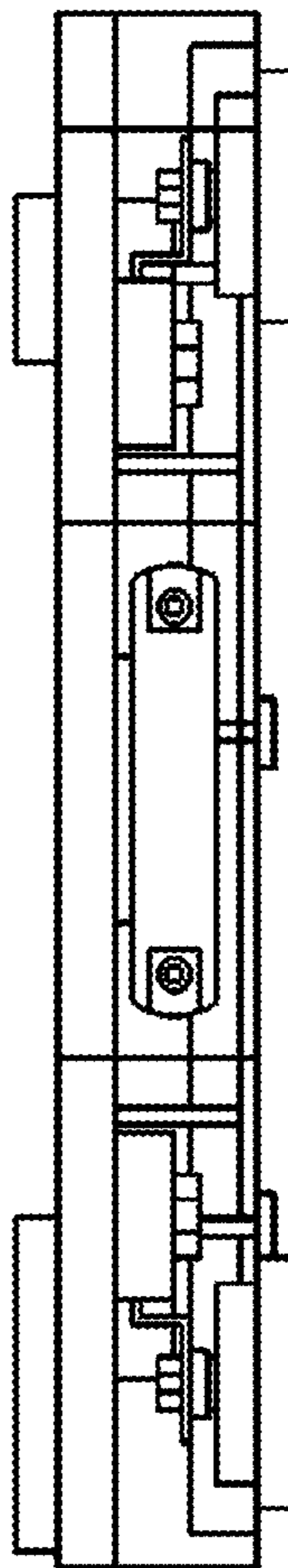


FIG. 6

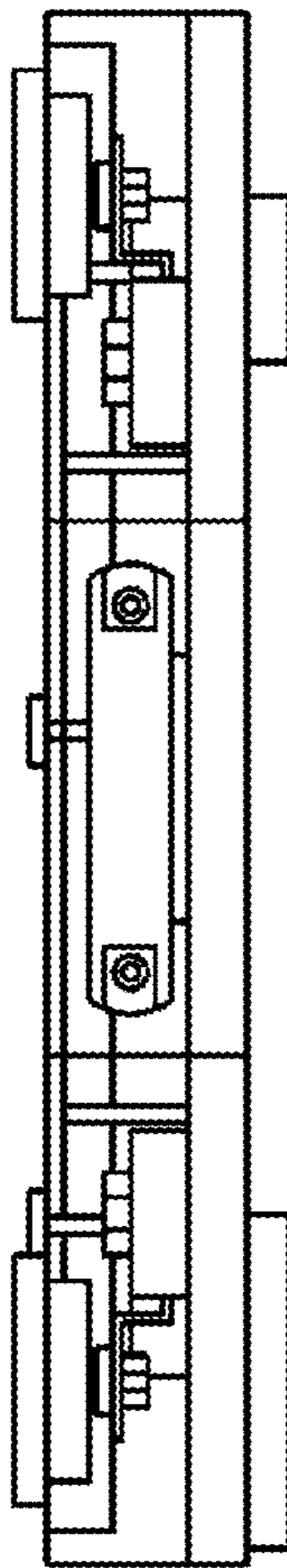


FIG. 7

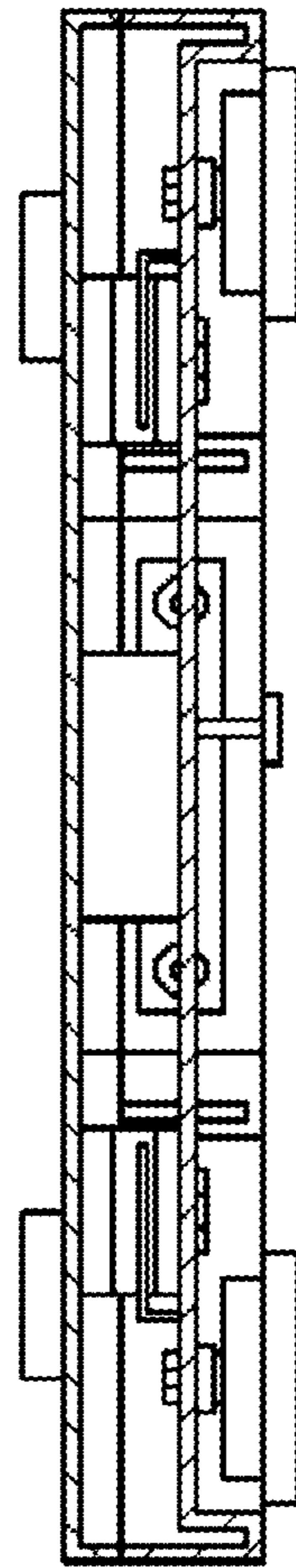


FIG. 8

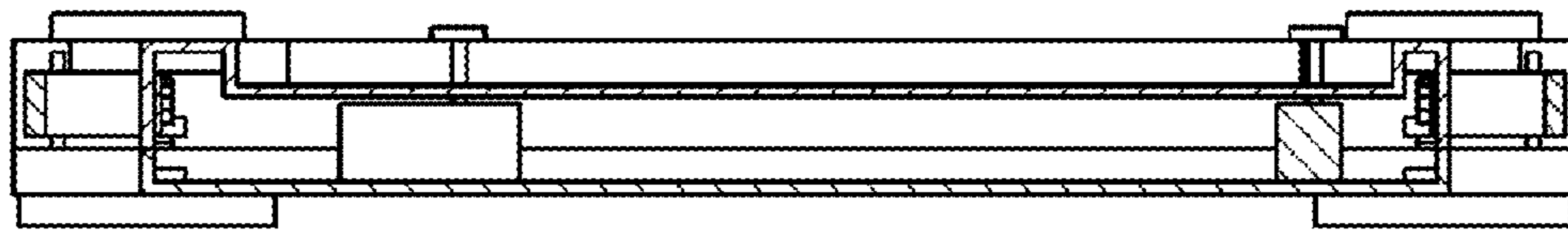


FIG. 9

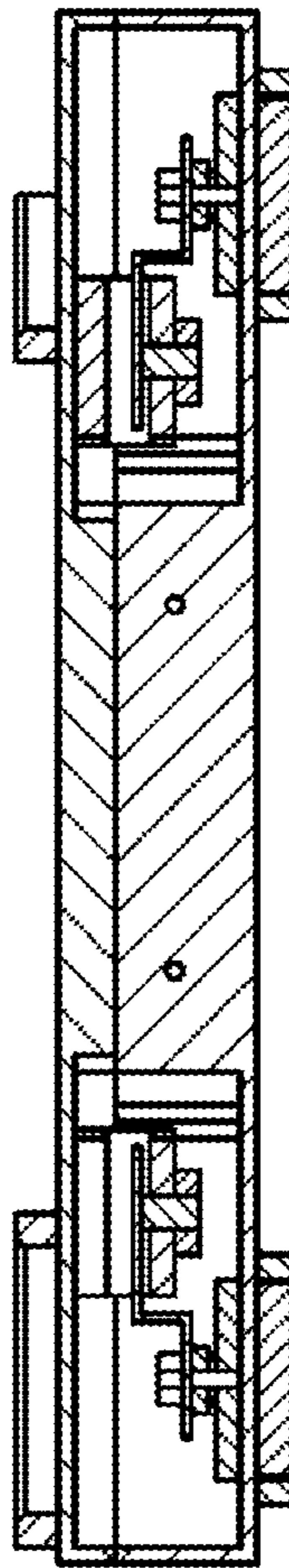


FIG. 10

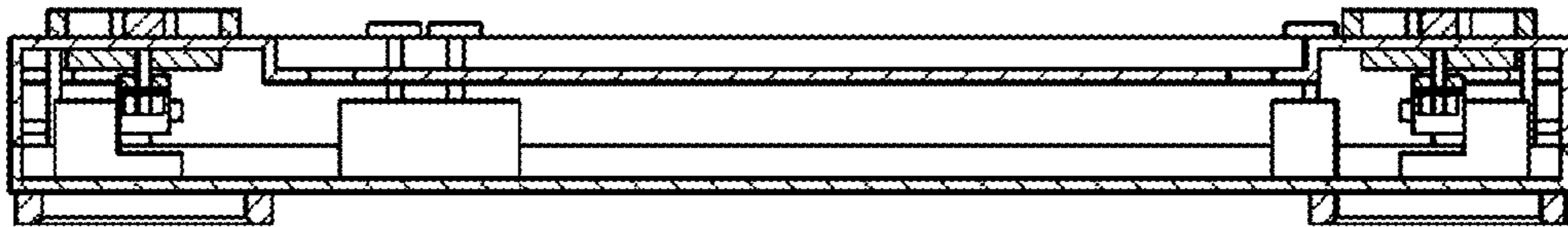


FIG. 11

