



US00D751551S

(12) **United States Design Patent**
Ho et al.

(10) **Patent No.:** **US D751,551 S**
(45) **Date of Patent:** **** Mar. 15, 2016**

(54) **PAIR OF TEMPLE ARMS FOR AN EYEGLASS FRAME WITH MOUNT**

(71) Applicants: **Patrick C. Ho**, Hilton, NY (US); **Scott S. Leathersich**, Henrietta, NY (US); **Michael M. Vacanti**, Alexander, NY (US)

(72) Inventors: **Patrick C. Ho**, Hilton, NY (US); **Scott S. Leathersich**, Henrietta, NY (US); **Michael M. Vacanti**, Alexander, NY (US)

(73) Assignee: **Alpha Primitus, Inc.**, Hong Kong (HK)

(**) Term: **14 Years**

(21) Appl. No.: **29/493,240**

(22) Filed: **Jun. 6, 2014**

(51) **LOC (10) Cl.** **14-02**

(52) **U.S. Cl.**
USPC **D14/372**

(58) **Field of Classification Search**
USPC D14/372, 496, 432, 371, 125, 126, 129, D14/299; D16/300-342; 351/158, 153, 144; 345/7-9, 905; 455/344; 348/115, 53, 348/121, 739
CPC G02B 27/017; G02B 27/0158; G02B 27/0161; G02B 27/0181; G02B 27/0185; G02B 27/0189

See application file for complete search history.

(56) **References Cited**

U.S. PATENT DOCUMENTS

D327,079 S *	6/1992	Allen	D16/309
D649,177 S *	11/2011	Cho	D16/309
D659,741 S *	5/2012	Heinrich	D16/309
D664,185 S *	7/2012	Heinrich	D16/300
D666,237 S *	8/2012	Olsson	D16/300
D669,066 S *	10/2012	Olsson	D14/309

D680,152 S *	4/2013	Olsson	D16/309
D704,247 S *	5/2014	Olsson	D16/300
D719,567 S *	12/2014	Kim	D14/372
D725,105 S *	3/2015	Olsson	D14/372
8,968,012 B2 *	3/2015	Olsson	H01R 13/562 439/131
2013/0235331 A1 *	9/2013	Heinrich	G02C 11/10 351/158
2013/0258270 A1 *	10/2013	Cazalet	G02C 11/10 351/114

* cited by examiner

Primary Examiner — Austin Murphy

(74) *Attorney, Agent, or Firm* — Joseph M. Noto; Bond, Schoeneck & King PLLC

(57) **CLAIM**

The ornamental design for a pair of temple arms for an eyeglass frame with mount, as shown and described.

DESCRIPTION

FIG. 1 is a perspective view of a pair of temple arms with mount for the new design shown in the environment of an eyeglass frame;

FIG. 2 is a perspective view thereof;

FIG. 3 is a front elevational view thereof;

FIG. 4 is a rear elevational view thereof;

FIG. 5 is a side elevational view thereof;

FIG. 6 is a side elevational view thereof;

FIG. 7 is a side elevational view of the single temple arm with mount;

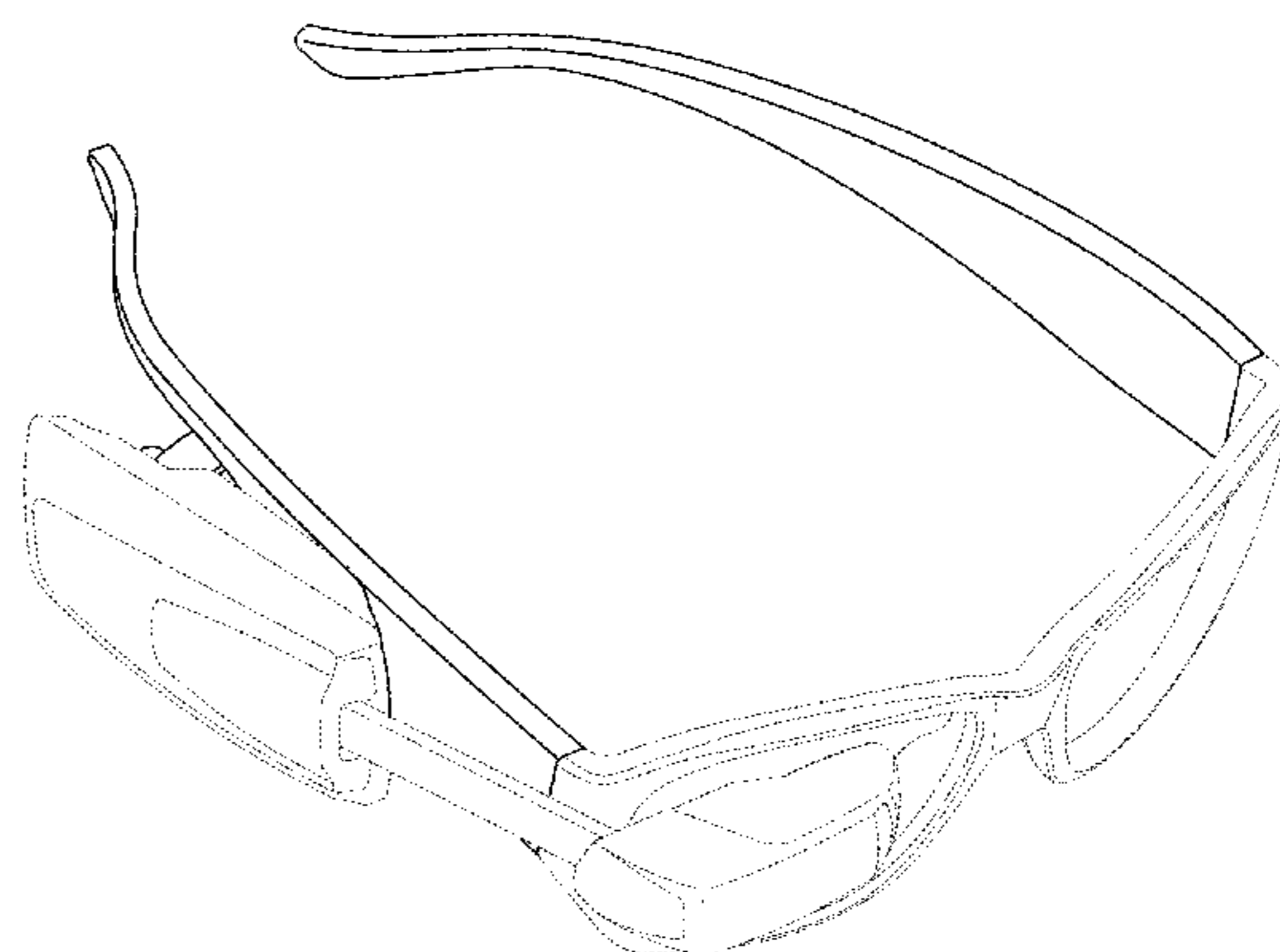
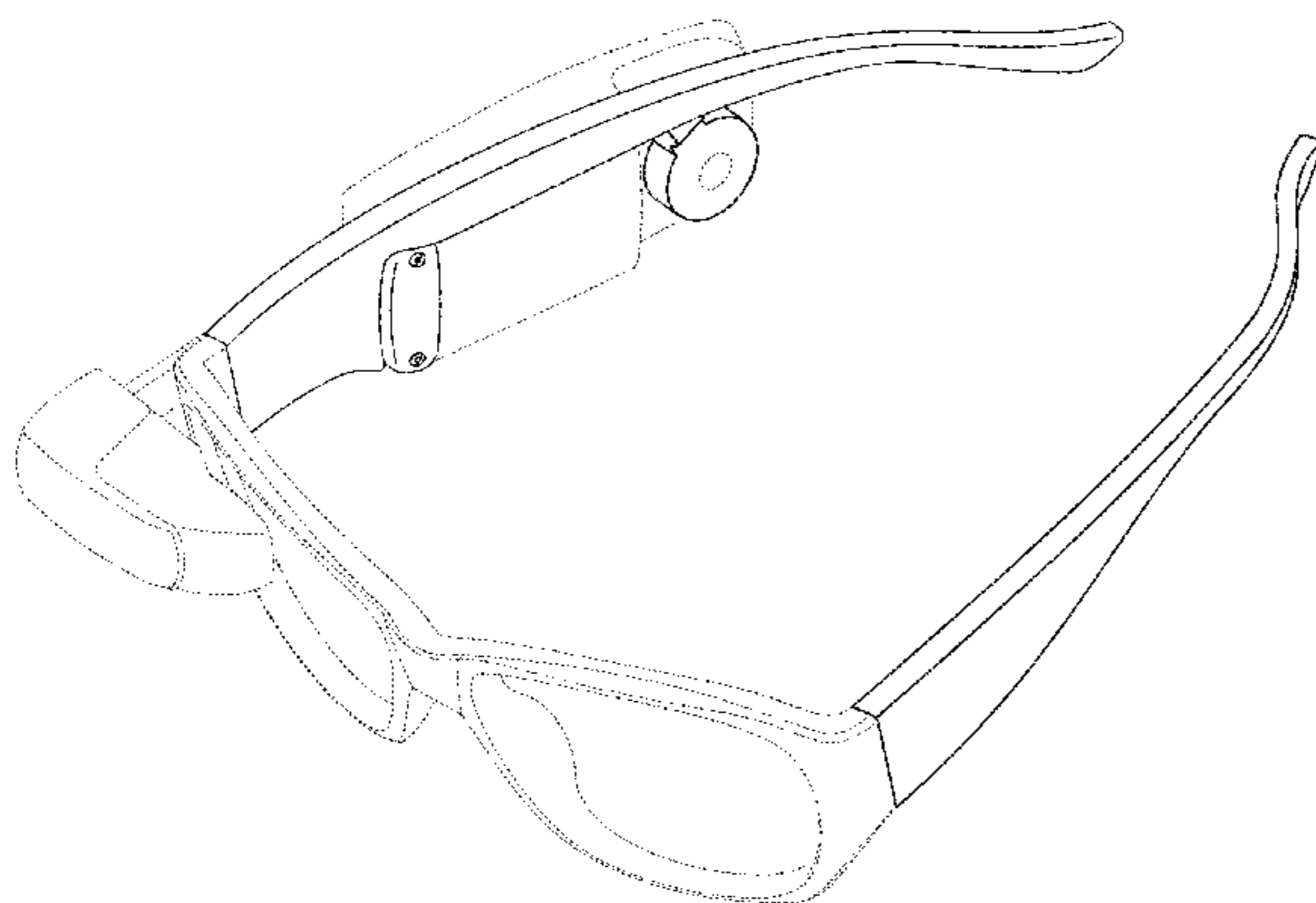
FIG. 8 is a side elevational view of the single temple arm without mount, wherein the other side is a mirror image thereof;

FIG. 9 is a top plan view thereof; and,

FIG. 10 is a bottom plan view thereof.

The broken lines showing the front of the eyeglass frame, mounted computer and other portions are for the purpose of illustrating environment structure and form no part of the claimed design.

1 Claim, 10 Drawing Sheets



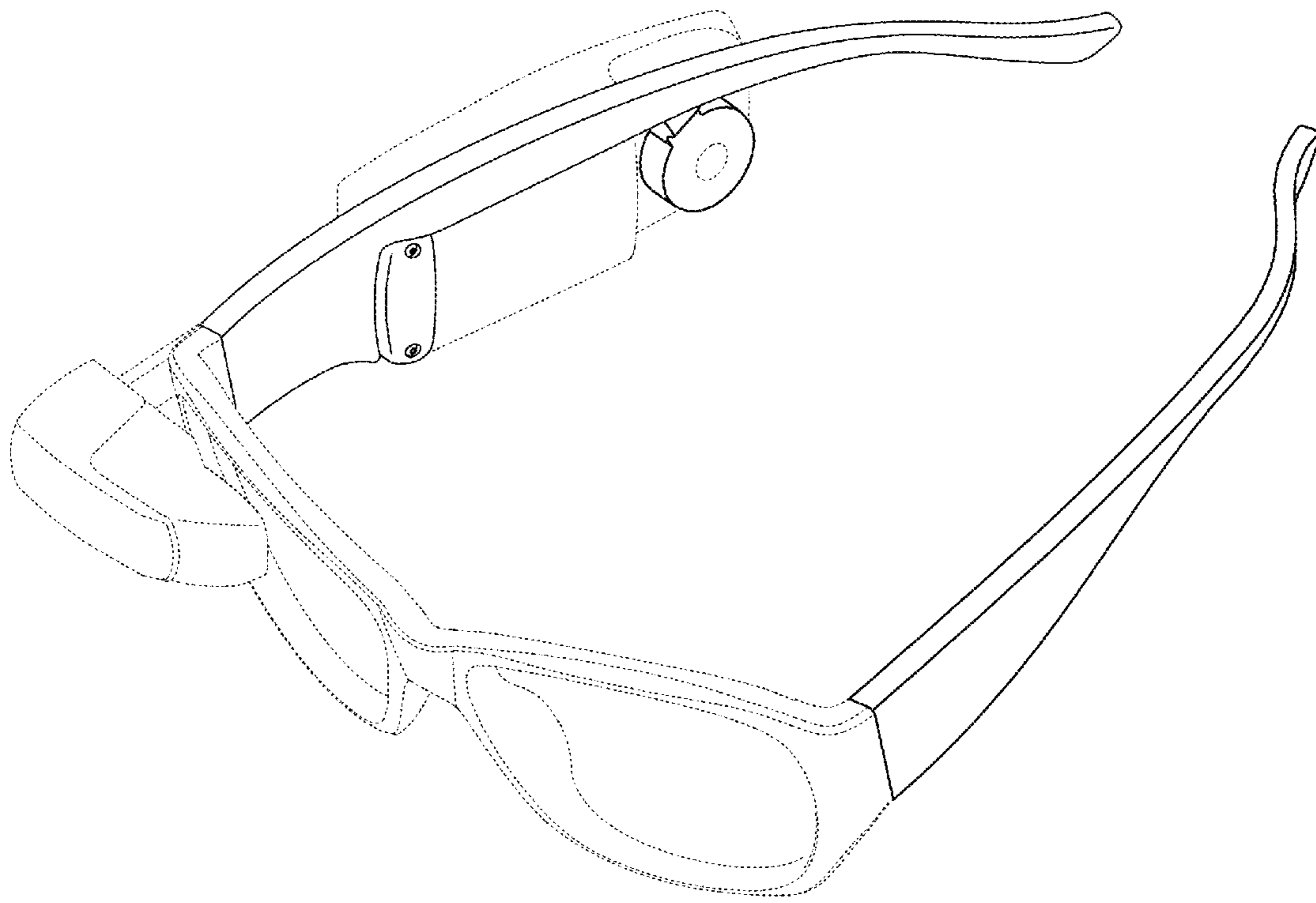


FIG. 1

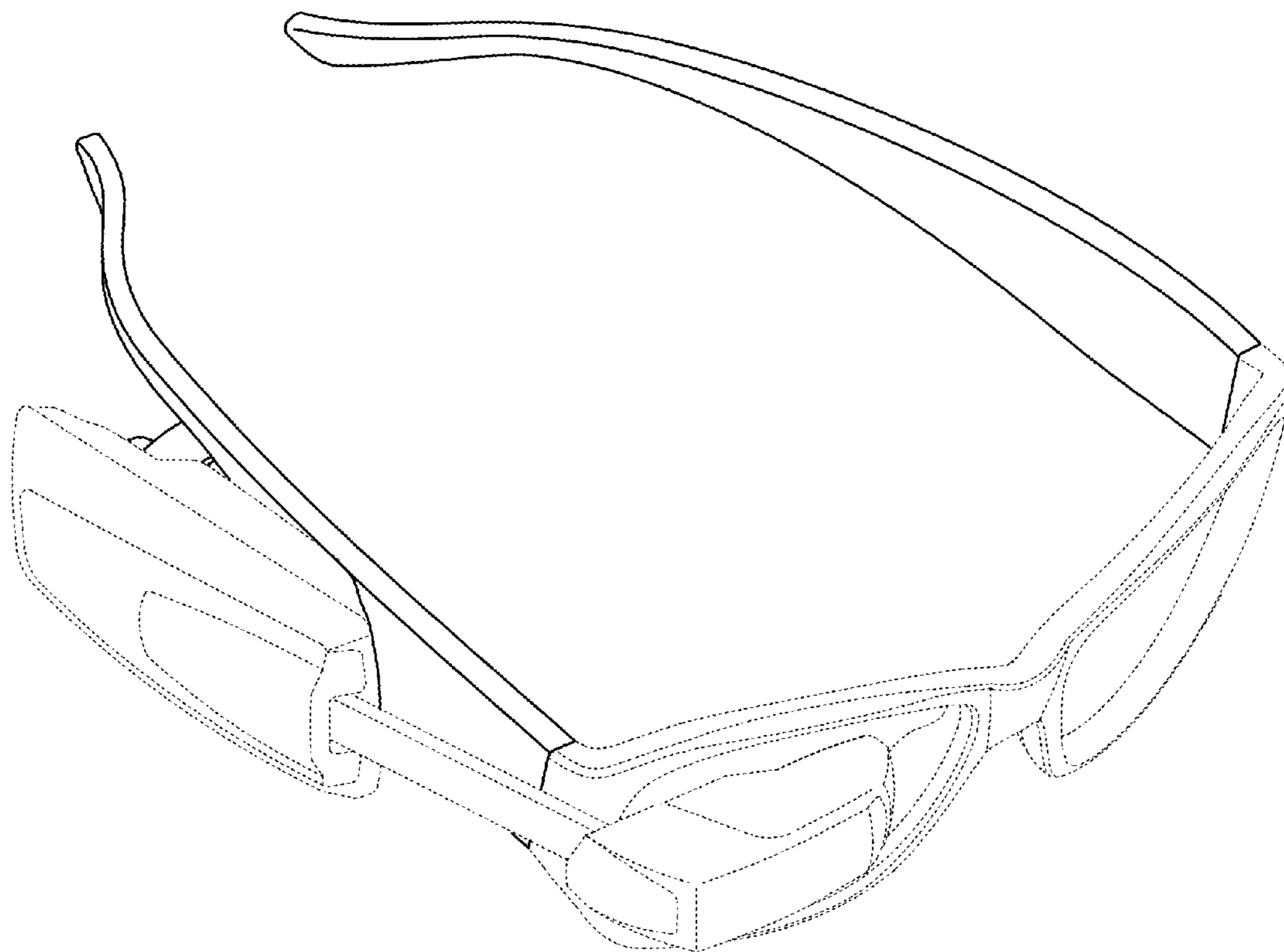


FIG. 2

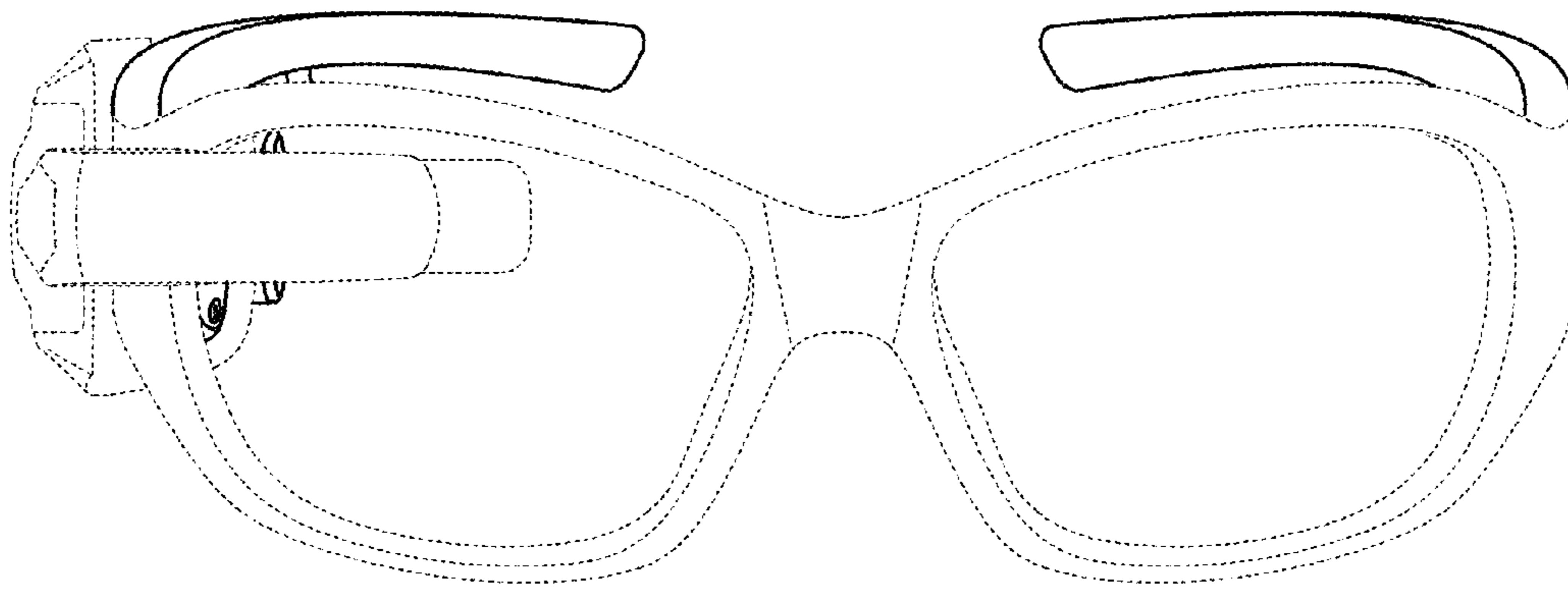


FIG. 3

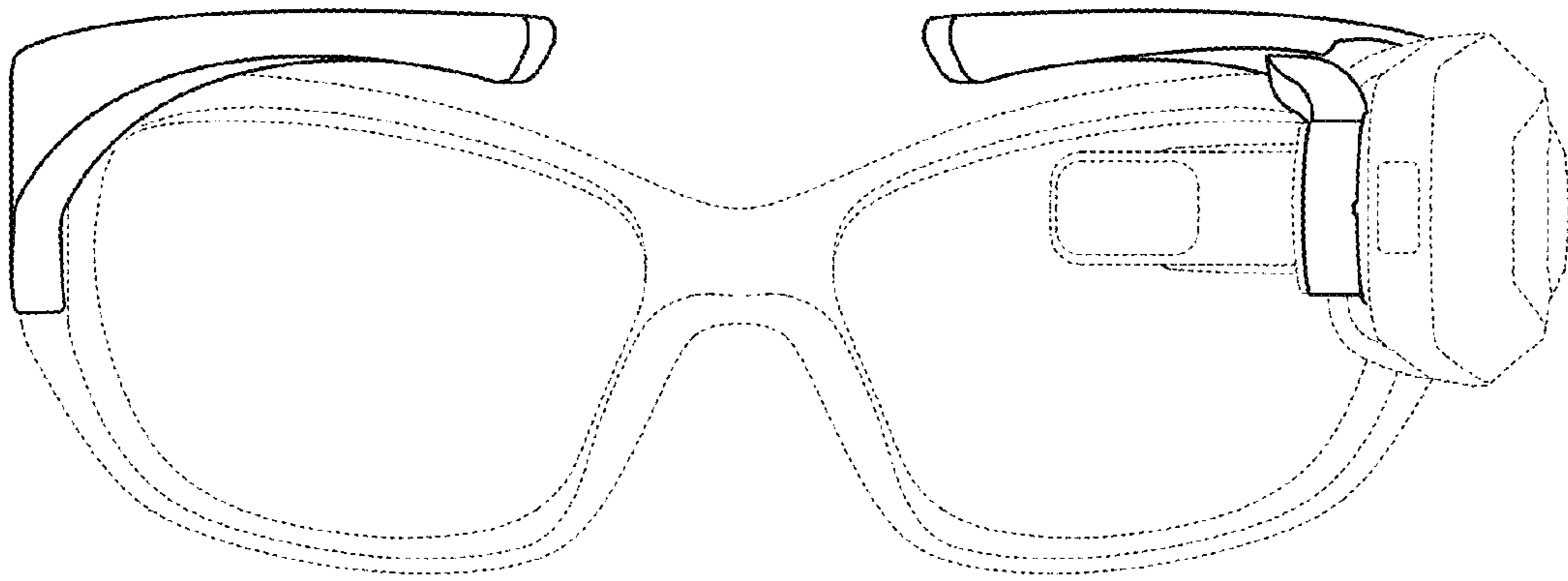


FIG. 4

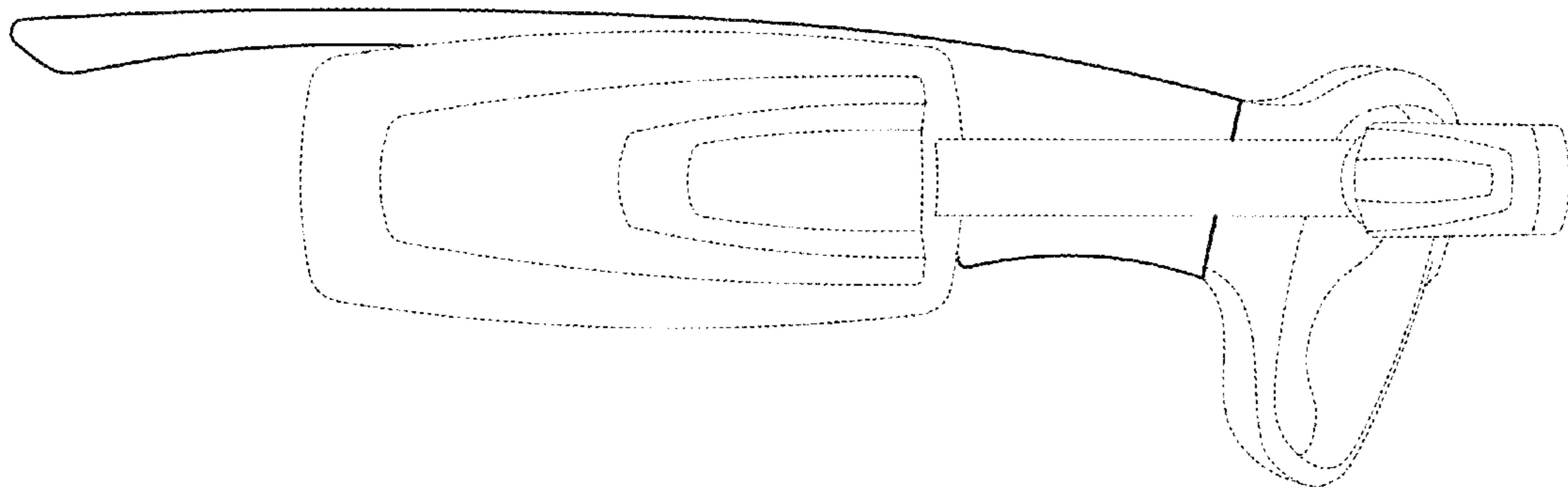


FIG. 5

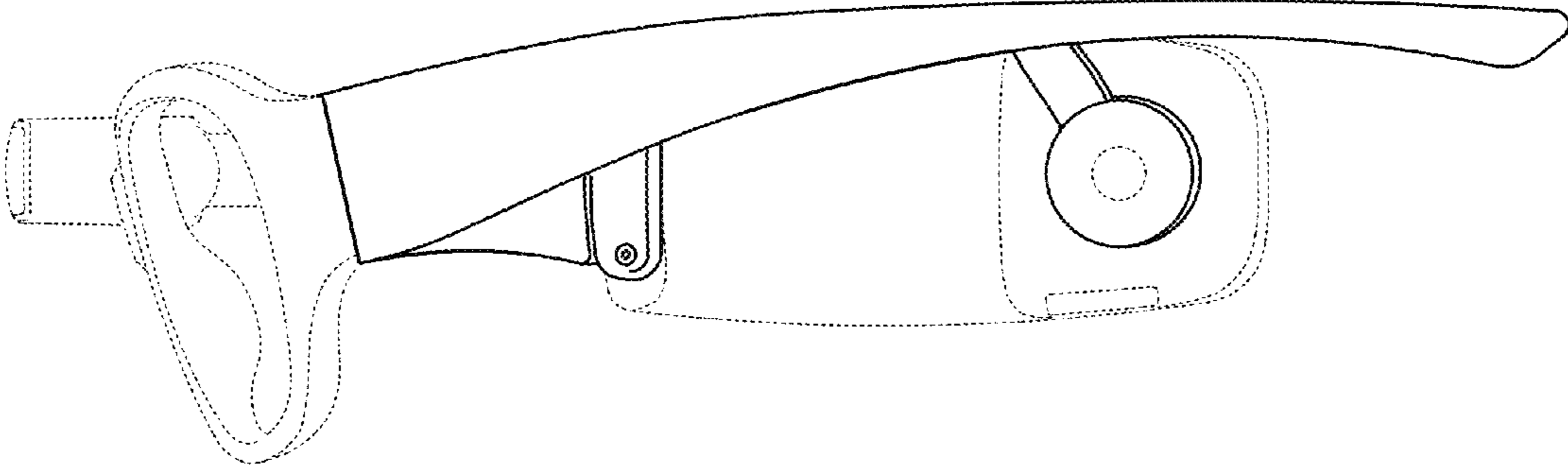


FIG. 6

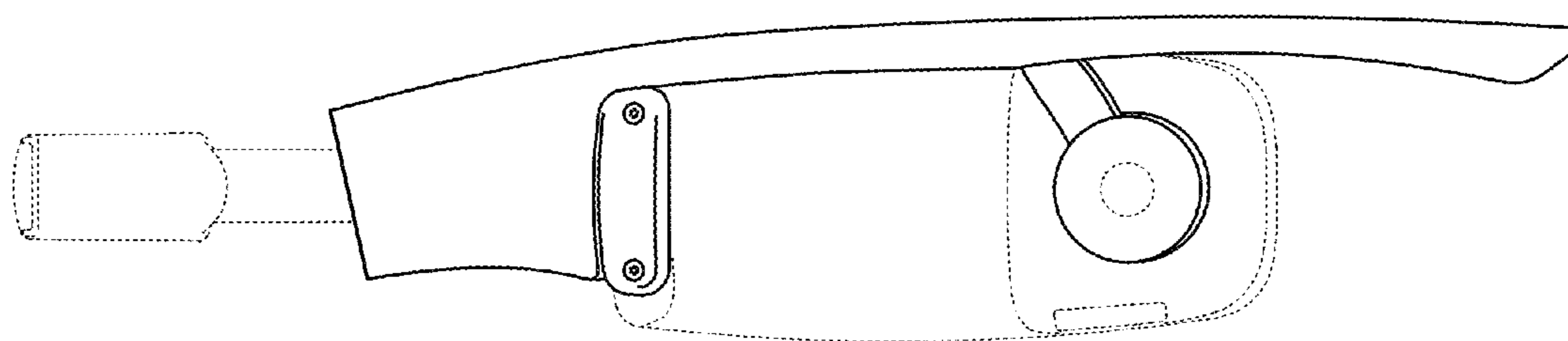


FIG. 7



FIG. 8

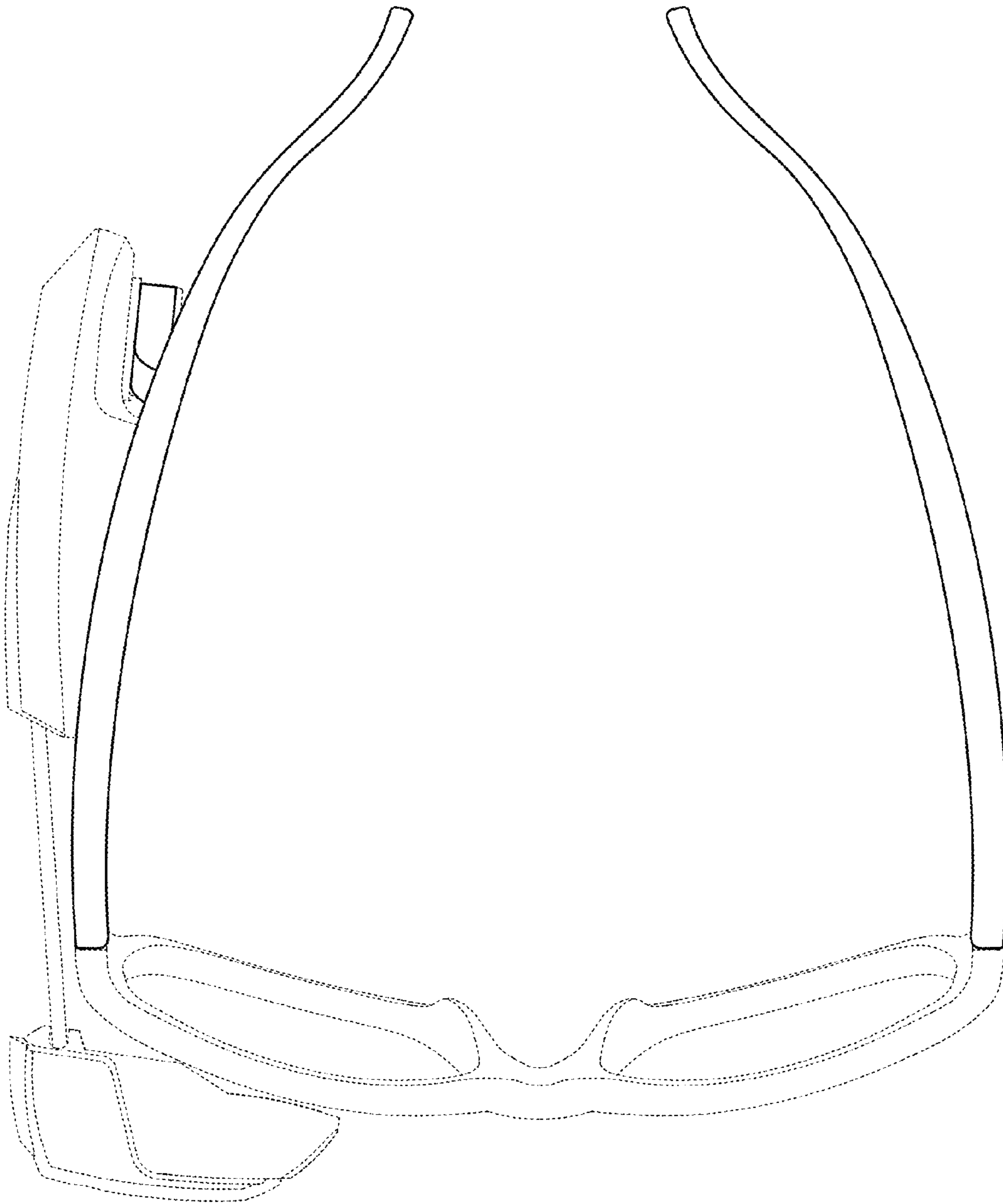


FIG. 9

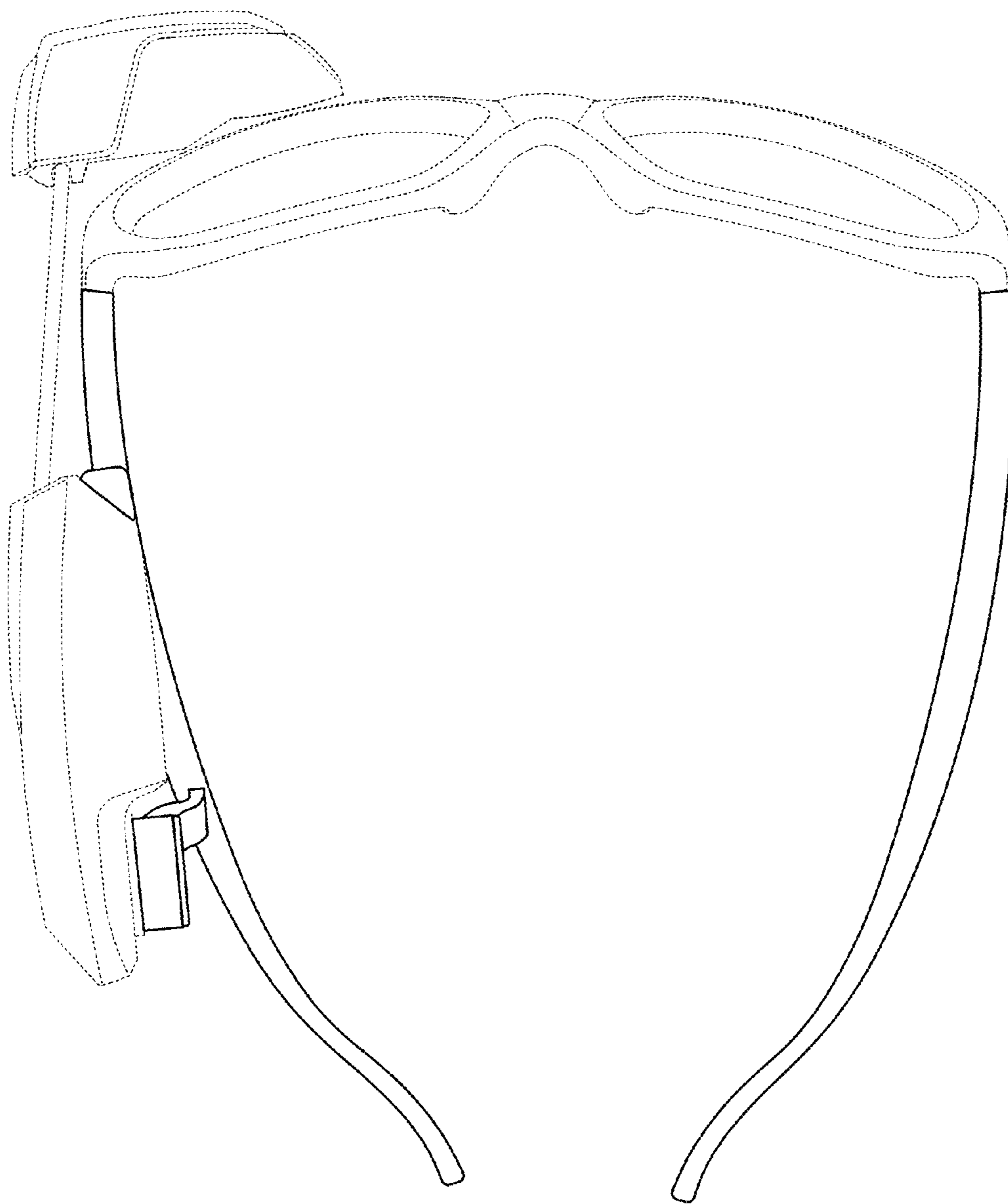


FIG. 10