



US00D751549S

(12) **United States Design Patent**
Park et al.

(10) **Patent No.:** **US D751,549 S**
(45) **Date of Patent:** **** Mar. 15, 2016**

(54) **MOBILE TERMINAL**

(71) Applicant: **Samsung Electronics Co., Ltd.**,
Suwon-si (KR)

(72) Inventors: **Sang-II Park**, Seoul (KR); **Se-O Lee**,
Sunghwan-Si (KR)

(73) Assignee: **Samsung Electronics Co., Ltd.**,
Suwon-si (KR)

(**) Term: **14 Years**

(21) Appl. No.: **29/499,011**

(22) Filed: **Aug. 11, 2014**

(30) **Foreign Application Priority Data**

Feb. 22, 2014 (KR) 30-2014-0009024

(51) **LOC (10) Cl.** **14-02**

(52) **U.S. Cl.**
USPC **D14/344**; D14/144; D14/138 R;
D10/38

(58) **Field of Classification Search**

USPC D14/140, 137, 138 R, 138 AB, 139, 144,
D14/155, 167, 191, 192, 203.1, 203.3,
D14/203.4, 203.5, 203.7, 248, 226, 218,
D14/240, 344, 440, 341, 346, 448, 450,
D14/496; D10/30-32, 37-39, 65, 70, 77,
D10/78, 98, 104.1, 104.2, 125; D11/3-5,
D11/12, 19, 25; D13/168; D3/215;
D15/199; 381/364, 151; 379/433.1;
455/575.1, 575.3, 575.4, 575.6, 556.1,
455/556.2, 558, 90.3; 368/10, 13, 69, 223,
368/281, 282, 294, 295, 296; D21/329,
D21/513; D24/167, 186
CPC H04B 1/03; H04B 1/385; G04G 9/00;
G04G 17/00; G04G 17/04; G04G 17/06;
G04G 17/083; H04M 1/0227; H04M 1/03;
H04M 1/04

See application file for complete search history.

(56) **References Cited**

U.S. PATENT DOCUMENTS

D466,488 S * 12/2002 Wada et al. D14/138 R
D468,648 S * 1/2003 Starck D10/38
D473,798 S * 4/2003 Fu et al. D10/30

(Continued)

OTHER PUBLICATIONS

NFC Wrist Wallet. gigaom.com(online) 1 pg. Uploaded: Jan. 17,
2015 [retrieved on Jun. 23, 2015]. Retrieved from Internet: <https://
gigaom.com/2015/01/17/mobile-recap-tizen-z1-phone-nfc-wrist-
wallet-new-sony-walkman-a17/>.*

(Continued)

Primary Examiner — Susan Bennett Hattan

Assistant Examiner — Marie Fast Horse

(74) *Attorney, Agent, or Firm* — NSIP Law

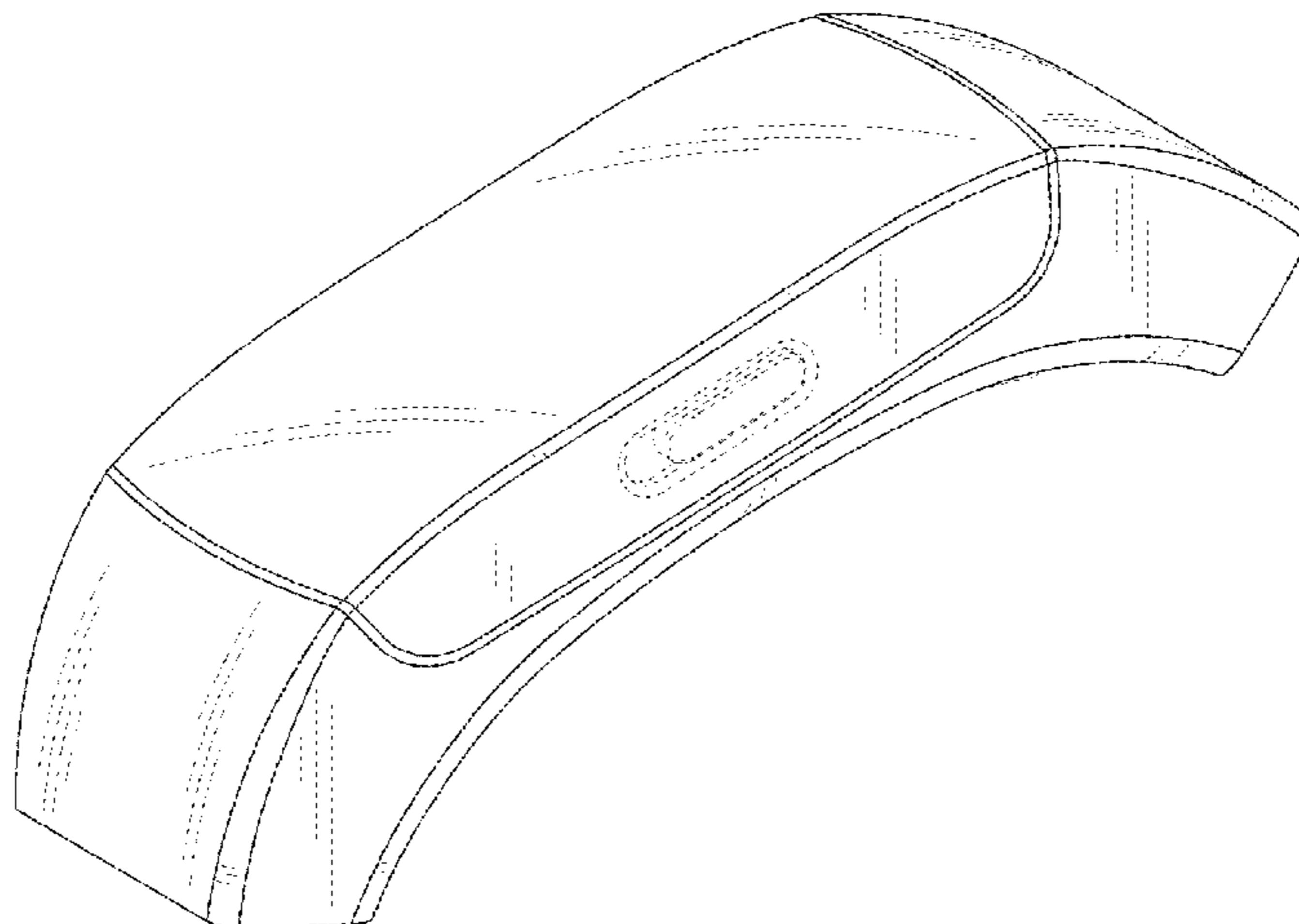
(57) **CLAIM**

We claim the ornamental design for a mobile terminal, as
shown and described.

DESCRIPTION

FIG. 1 is a front perspective view of a mobile terminal show-
ing our new design;
FIG. 2 is a front view thereof;
FIG. 3 is a rear view thereof;
FIG. 4 is a left-side view thereof;
FIG. 5 is a right-side view thereof;
FIG. 6 is a top view thereof;
FIG. 7 is a bottom view thereof; and,
FIG. 8 is a rear perspective view thereof, in which a band in
broken lines is provided to illustrate an example environment.
The broken lines in the figures show portions of the mobile
terminal which form no part of the claimed design.
The broken line showing of the band in FIG. 8 is for environ-
mental purposes only and forms no part of the claimed design.

1 Claim, 6 Drawing Sheets



(56)

References Cited

U.S. PATENT DOCUMENTS

D568,768 S * 5/2008 Tang D10/30
D589,375 S * 3/2009 Tang D10/32
D598,432 S * 8/2009 Yeon D14/226
D651,115 S * 12/2011 Willows et al. D11/3
D680,020 S * 4/2013 Cobbett et al. D11/3
D688,585 S * 8/2013 Ohnemus et al. D11/3
D710,235 S * 8/2014 Rummonds D11/2
D711,002 S * 8/2014 Ohnemus et al. D24/186
D714,179 S * 9/2014 Park et al. D11/3
D715,668 S * 10/2014 Roush et al. D10/98
D717,956 S * 11/2014 Alexander et al. D24/167
D718,647 S * 12/2014 Roush et al. D10/98
D721,981 S * 2/2015 Choi et al. D10/98
D724,453 S * 3/2015 Ogihara et al. D10/70

D729,657 S * 5/2015 Behar D10/70
D729,658 S * 5/2015 Behar D10/70
D730,211 S * 5/2015 Behar D10/70
D730,347 S * 5/2015 Jung et al. D14/344
2001/0036264 A1* 11/2001 Ito et al. 379/433.1
2011/0068926 A1* 3/2011 Jong et al. 340/573.1
2014/0107493 A1* 4/2014 Yuen et al. 600/473
2014/0218852 A1* 8/2014 Alcazar 361/679.03
2015/0098309 A1* 4/2015 Adams et al. 368/10
2015/0105221 A1* 4/2015 Roush et al. 482/8

OTHER PUBLICATIONS

LG Lifeband Touch. Cnet.com(online) 1 pg. Uploaded: Jun. 16, 2014 [retrieved on Jun. 23, 2015]. Retrieved from Internet: <<http://www.cnet.com/pictures/lg-lifeband-touch-product-photos/3/>>.*

* cited by examiner

FIG. 1

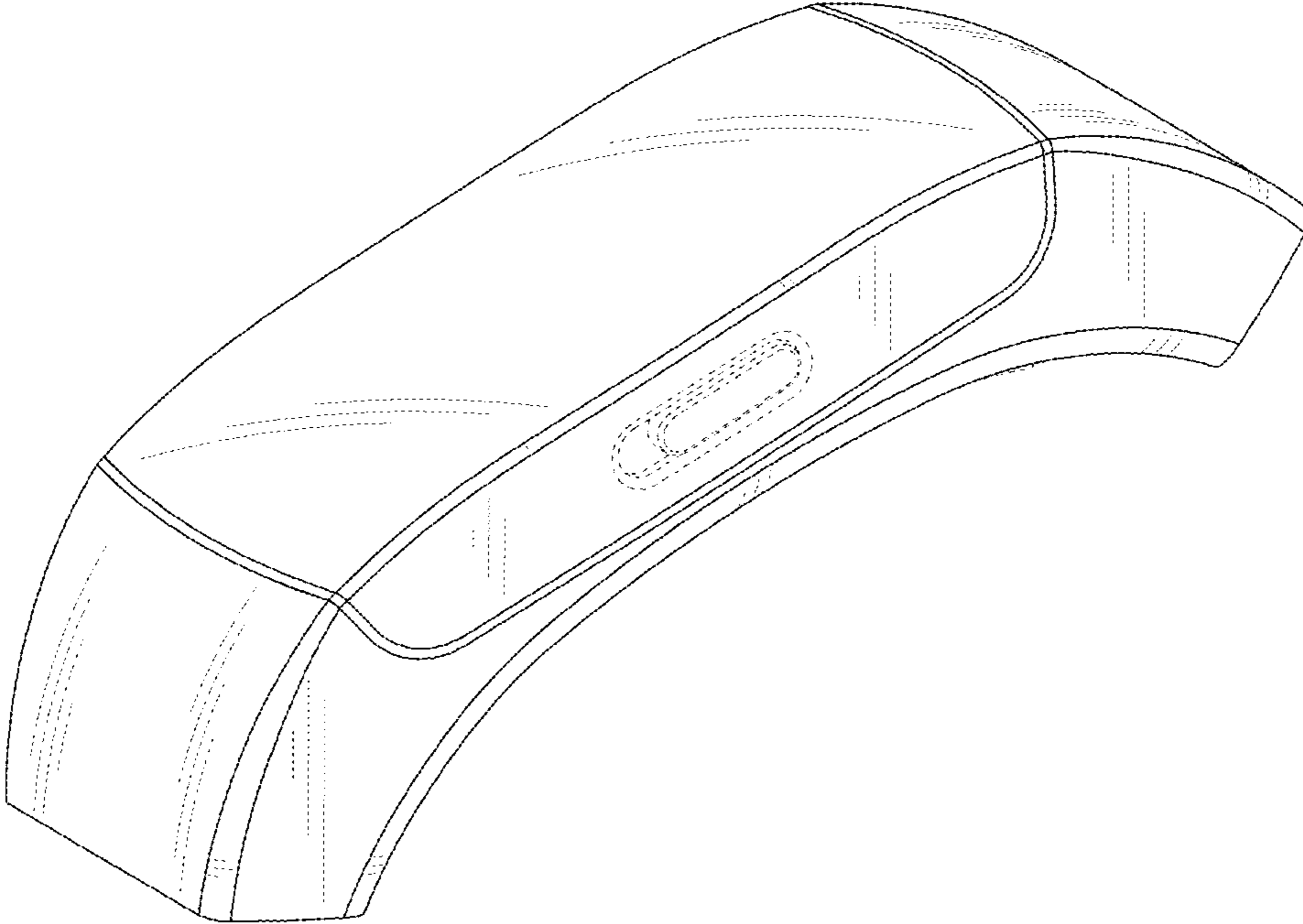


FIG. 2

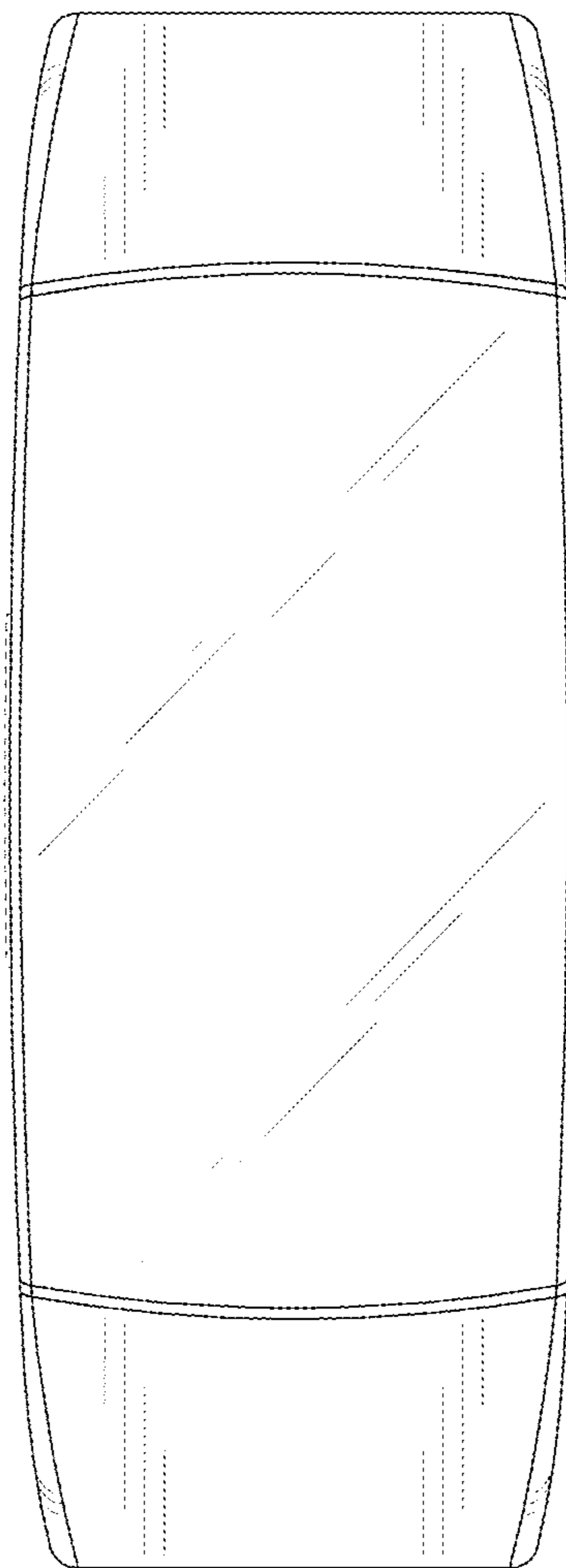


FIG. 3

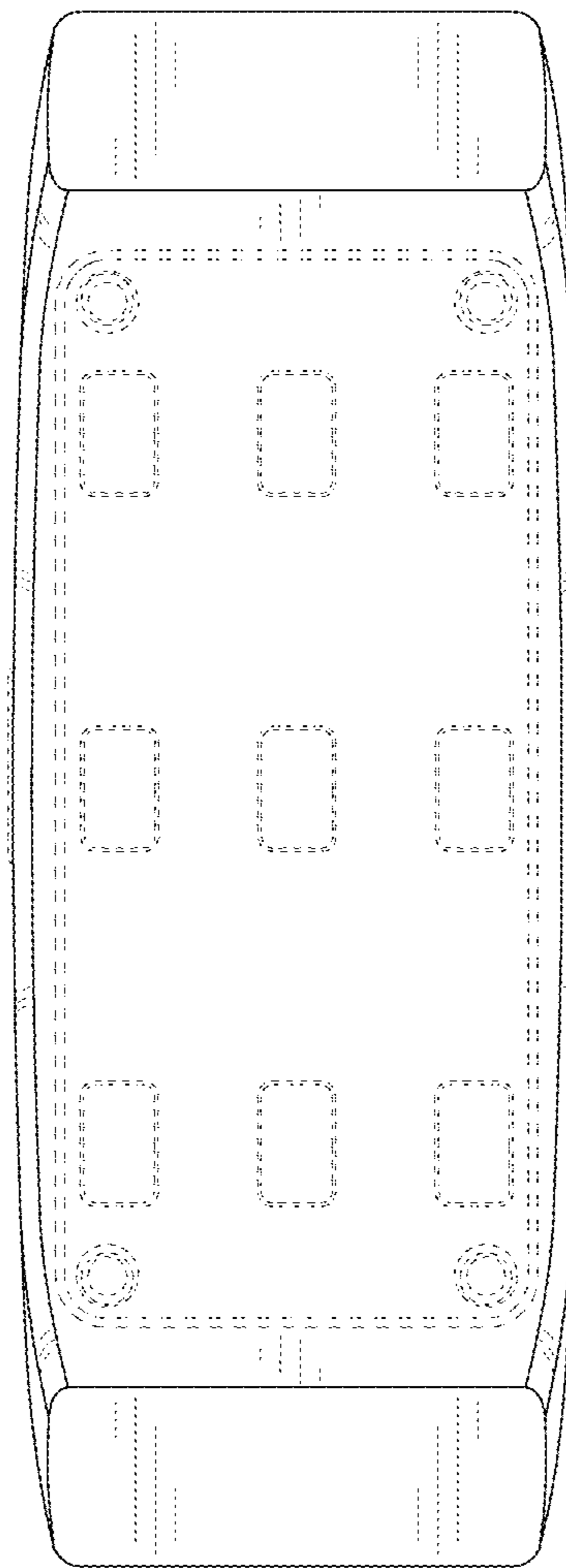


FIG. 4

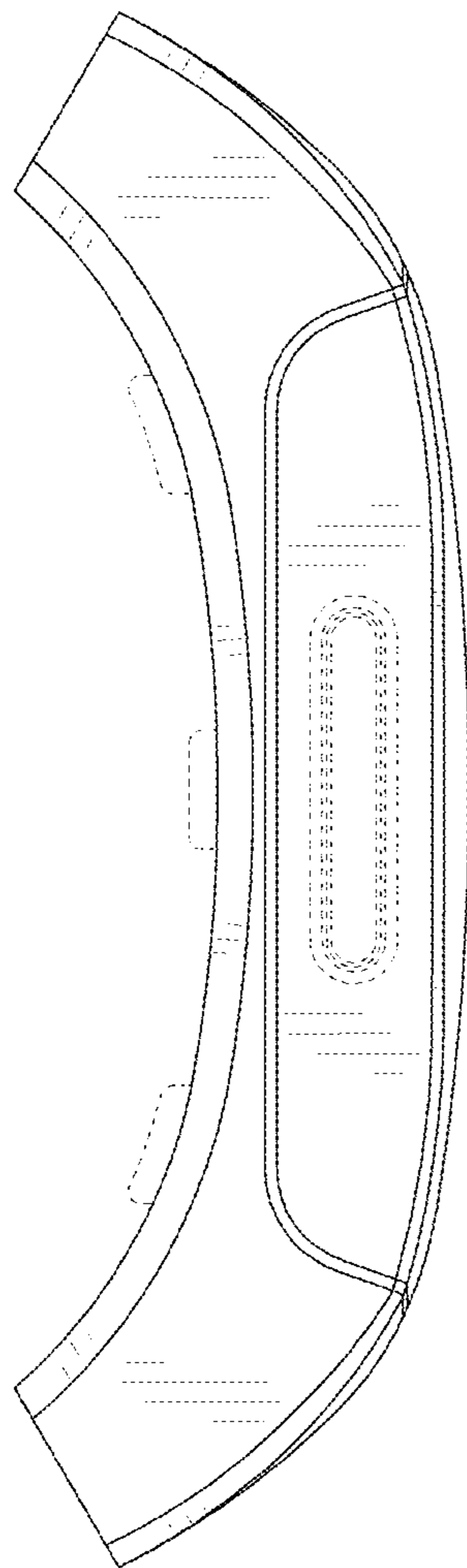


FIG. 5

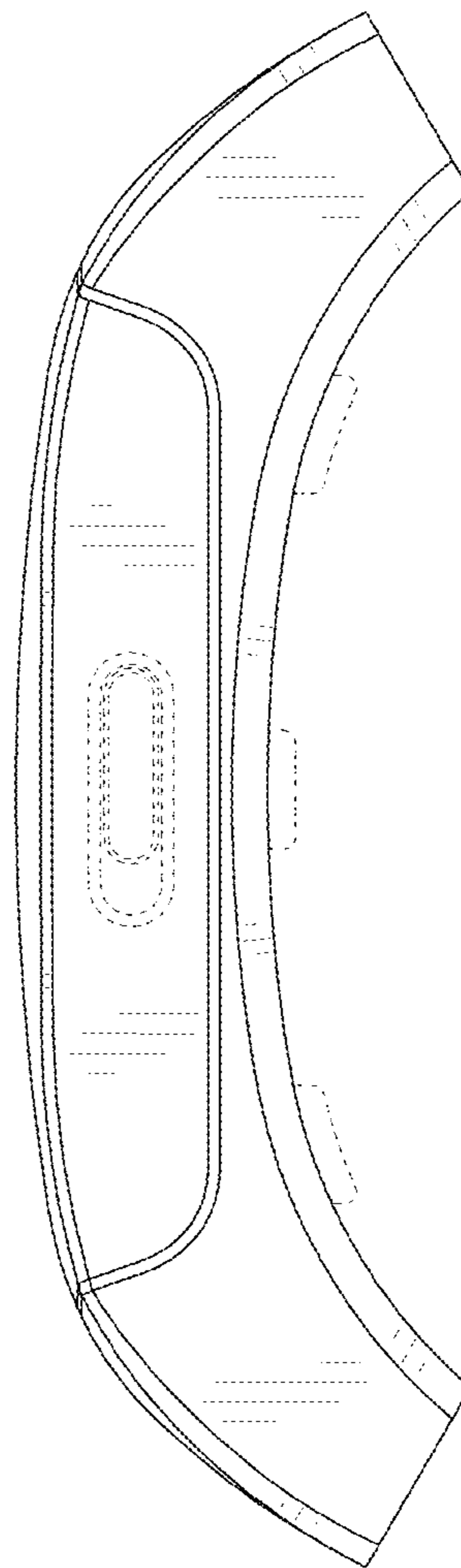


FIG. 6

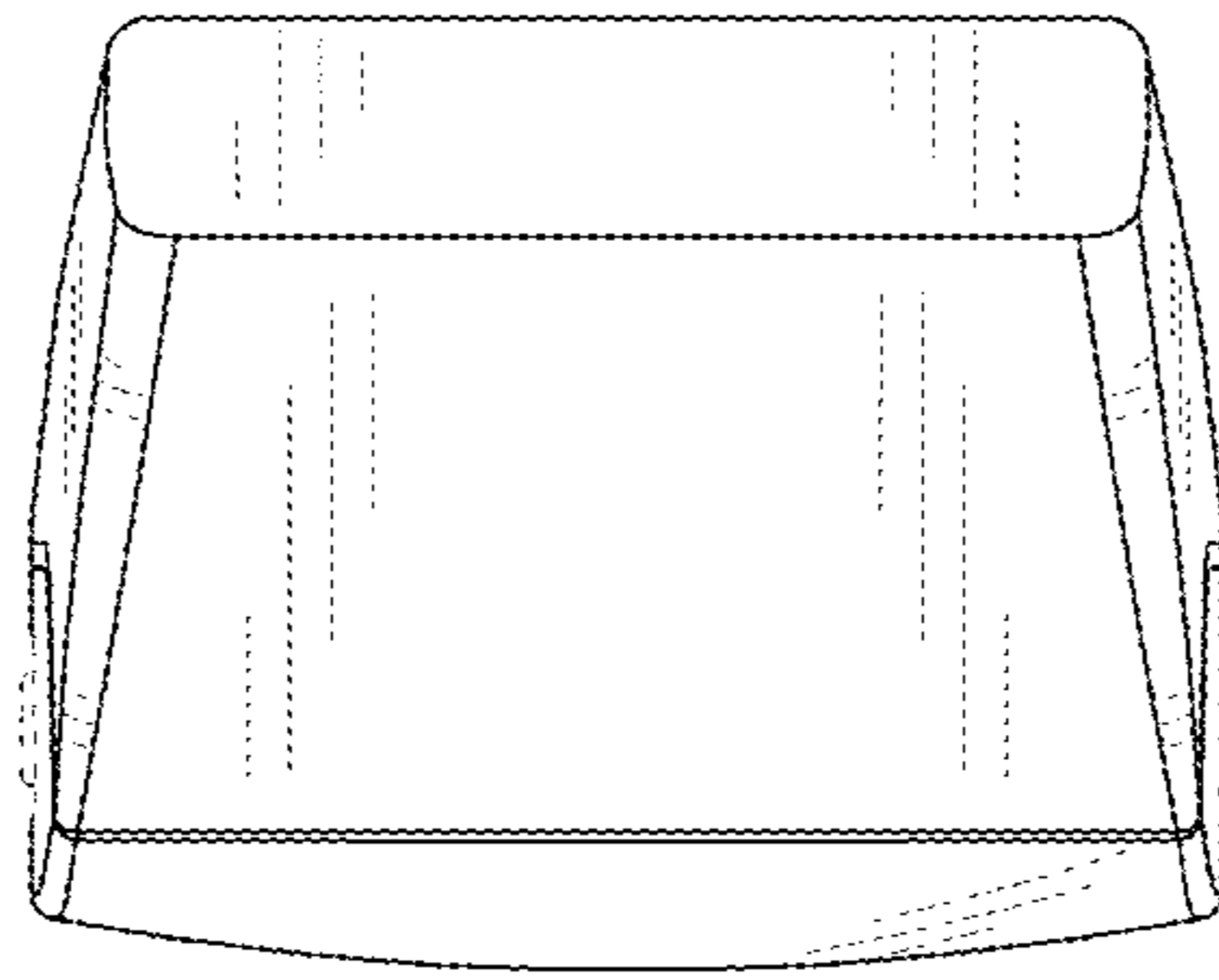


FIG. 7

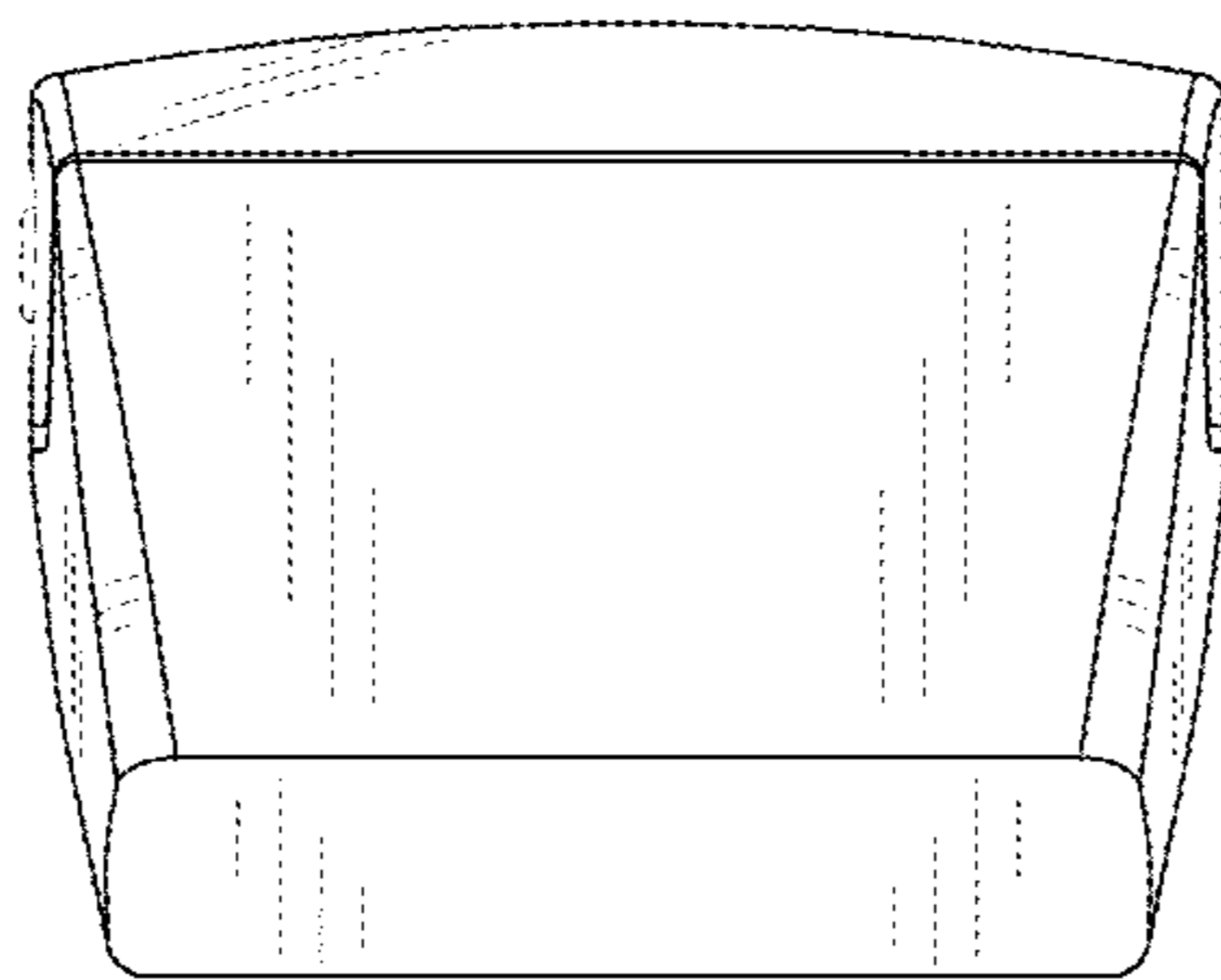


FIG. 8

