



US00D751548S

(12) **United States Design Patent**
Cheung

(10) **Patent No.:** **US D751,548 S**

(45) **Date of Patent:** **** Mar. 15, 2016**

(54) **ELECTRONIC DEVICE**

(71) Applicant: **VTech Electronics, Ltd.**, Hong Kong
(CN)

(72) Inventor: **Shing Hei Daniel Cheung**, Yuen Long
(HK)

(73) Assignee: **VTECH ELECTRONICS, LTD.**, Tai
Po, New Territories (HK)

(**) Term: **14 Years**

(21) Appl. No.: **29/519,243**

(22) Filed: **Mar. 3, 2015**

Related U.S. Application Data

(63) Continuation of application No. 29/456,579, filed on
May 31, 2013, now Pat. No. Des. 723,548.

(51) **LOC (10) Cl.** **14-02**

(52) **U.S. Cl.**
USPC **D14/341**; D16/202

(58) **Field of Classification Search**
USPC D14/341-347, 137, 138 R, 138 AA,
D14/138 C, 138 G, 496, 203.1, 203.3, 203.4,
D14/203.7, 129, 130, 147, 218, 247, 248,
D14/250, 374, 385, 388, 389, 315-318, 407,
D14/420, 426, 439; D10/50, 104.1;
D21/329; D16/200, 202, 208, 219
CPC H04M 1/0202; H04M 1/0264; H04M
1/0214; H04M 1/0279; H04M 1/0281; H04M
1/0283; H04M 1/72544; H04M 1/72552;
G06F 1/1613; G06F 1/1624; G06F 1/1626;
G06F 1/165; G06F 3/0485; G06F 3/0488

See application file for complete search history.

(56) **References Cited**

U.S. PATENT DOCUMENTS

5,528,285 A *	6/1996	Morikawa et al.	348/14.01
D396,869 S *	8/1998	Yamakawa et al.	D16/202
D401,257 S *	11/1998	Iino	D16/202
D423,491 S *	4/2000	Harris et al.	D14/130
D425,887 S *	5/2000	Edwards et al.	D14/138 G
D439,897 S *	4/2001	Williams et al.	
D454,146 S *	3/2002	Mori	D16/202
D463,468 S *	9/2002	Fujita et al.	D16/202
D467,954 S *	12/2002	Suzuki et al.	D16/208
D471,927 S *	3/2003	Kim	D16/208

(Continued)

OTHER PUBLICATIONS

Innotab 3 Learning App Tablet, announced Jun. 26, 2013, [online].
Available from Internet, URL: <http://www.vtechkids.com/product/detail/13355/InnoTab_3_The_Learning_Tablet>.

(Continued)

Primary Examiner — Barbara Fox

Assistant Examiner — Dana K Weiland

(74) *Attorney, Agent, or Firm* — McAndrews Held & Malloy, Ltd.

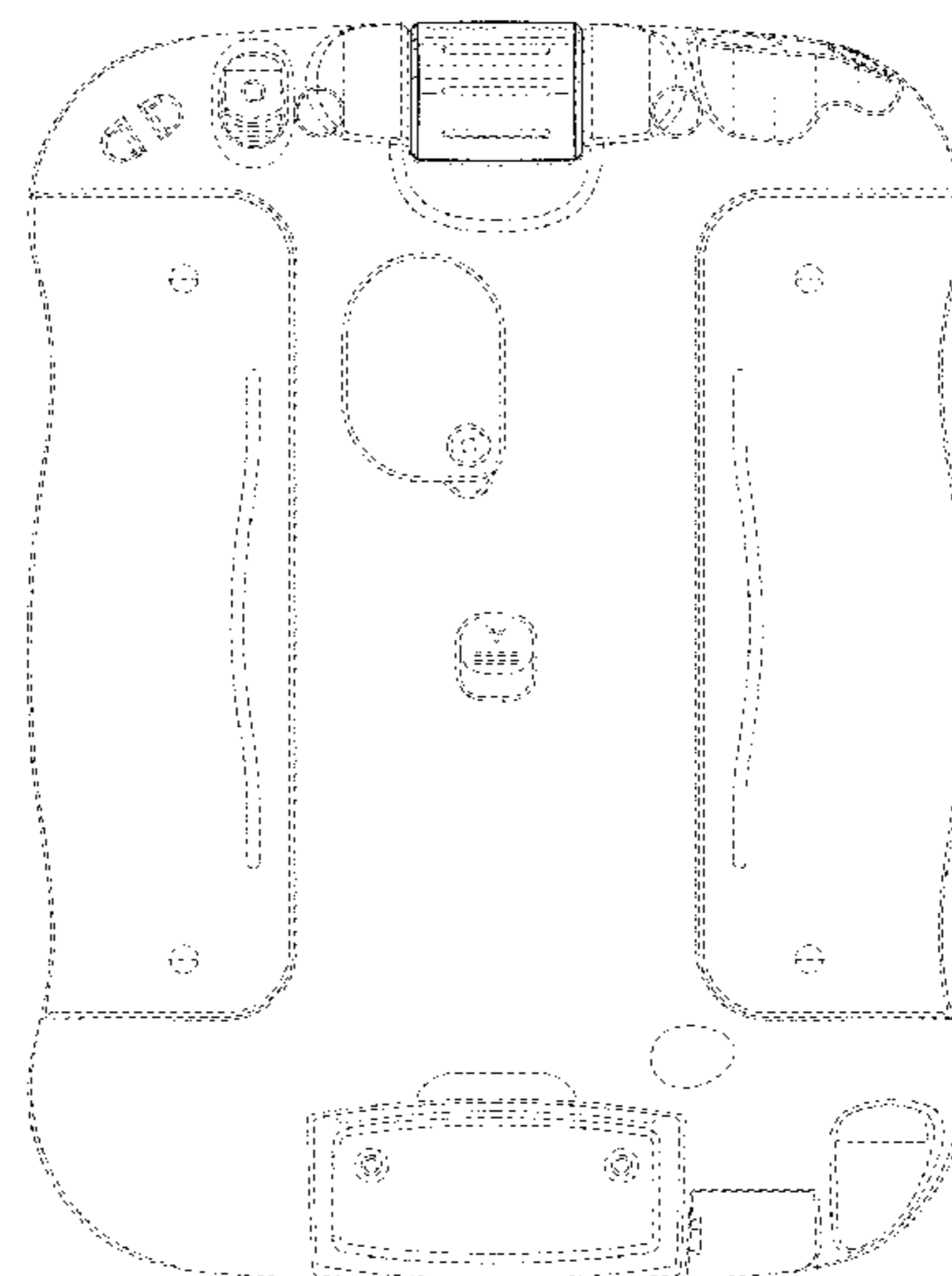
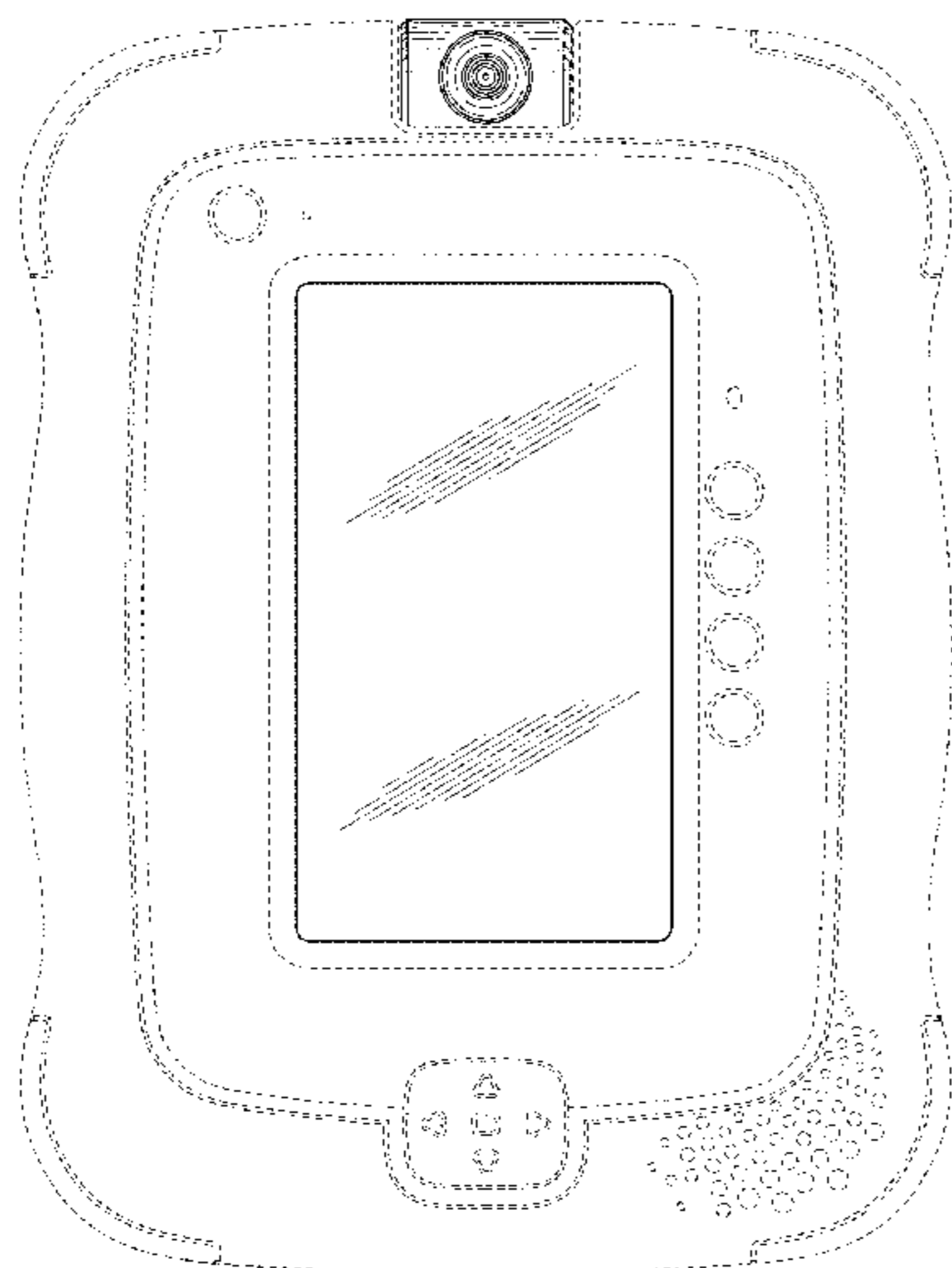
(57) **CLAIM**

The ornamental design for an electronic device, as shown and described.

DESCRIPTION

FIG. 1 is a front, right, bottom perspective view of my new design for an electronic device;
FIG. 2 is a front elevation view thereof;
FIG. 3 is a rear elevation view thereof;
FIG. 4 is a right side elevation view thereof;
FIG. 5 is a left side elevation view thereof;
FIG. 6 is a top plan view thereof;
FIG. 7 is a bottom plan view thereof; and,
FIG. 8 is a rear, right, bottom perspective view thereof.
The dashed broken lines illustrating portions of the electronic device are for environmental purposes only and form no part of the claimed design.

1 Claim, 6 Drawing Sheets



(56)

References Cited

U.S. PATENT DOCUMENTS

D477,316 S * 7/2003 Ogasawara D14/327
 D482,030 S * 11/2003 Kataoka D14/345
 D484,133 S 12/2003 Liu et al.
 D486,843 S * 2/2004 Takahashi D16/202
 D490,421 S 5/2004 Everett et al.
 D497,165 S 10/2004 Borsboom
 D503,750 S 4/2005 Kit et al.
 D530,732 S * 10/2006 Tanaka et al. D16/202
 D536,014 S * 1/2007 Ishii D16/219
 D536,681 S * 2/2007 Surtouc D14/130
 D539,354 S 3/2007 Mak
 D547,384 S 7/2007 Lau et al.
 D551,230 S 9/2007 Lau et al.
 D559,327 S 1/2008 Luk et al.
 D602,095 S * 10/2009 Fujino et al. D21/332
 D614,223 S * 4/2010 Kim et al. D16/211
 D623,186 S 9/2010 Ludlum et al.
 D626,165 S * 10/2010 Raken et al. D16/242
 D627,814 S * 11/2010 Tzeng et al. D16/202
 D631,079 S * 1/2011 Tzeng D16/202
 D639,260 S 6/2011 Carroll
 D648,721 S 11/2011 Wong et al.

D660,295 S 5/2012 Mak
 D674,386 S 1/2013 Mak
 D675,660 S * 2/2013 Su D16/202
 D683,779 S * 6/2013 Uemachi et al. D16/202
 D697,119 S * 1/2014 Park et al. D16/203
 D698,354 S 1/2014 Mak
 D698,355 S 1/2014 Cheung
 D712,952 S * 9/2014 Sumii et al. D16/218
 D719,601 S * 12/2014 Richardson et al. D16/218
 D720,790 S * 1/2015 Licitra et al. D16/208
 D723,548 S * 3/2015 Cheung D14/341
 D723,549 S * 3/2015 Kwong D14/341
 D723,551 S * 3/2015 Fu D14/341
 2003/0218604 A1 11/2003 Wood et al.
 2007/0054763 A1 3/2007 See
 2012/0162098 A1 6/2012 Aboud et al.
 2013/0242181 A1 * 9/2013 Phoon et al. 348/374

OTHER PUBLICATIONS

InnoTab 3 from Vtech, announced Jun. 26, 2013, [online]. Available from Internet URL: <https://www.youtube.com/watch?v=ick2BW_MUpw>.

* cited by examiner

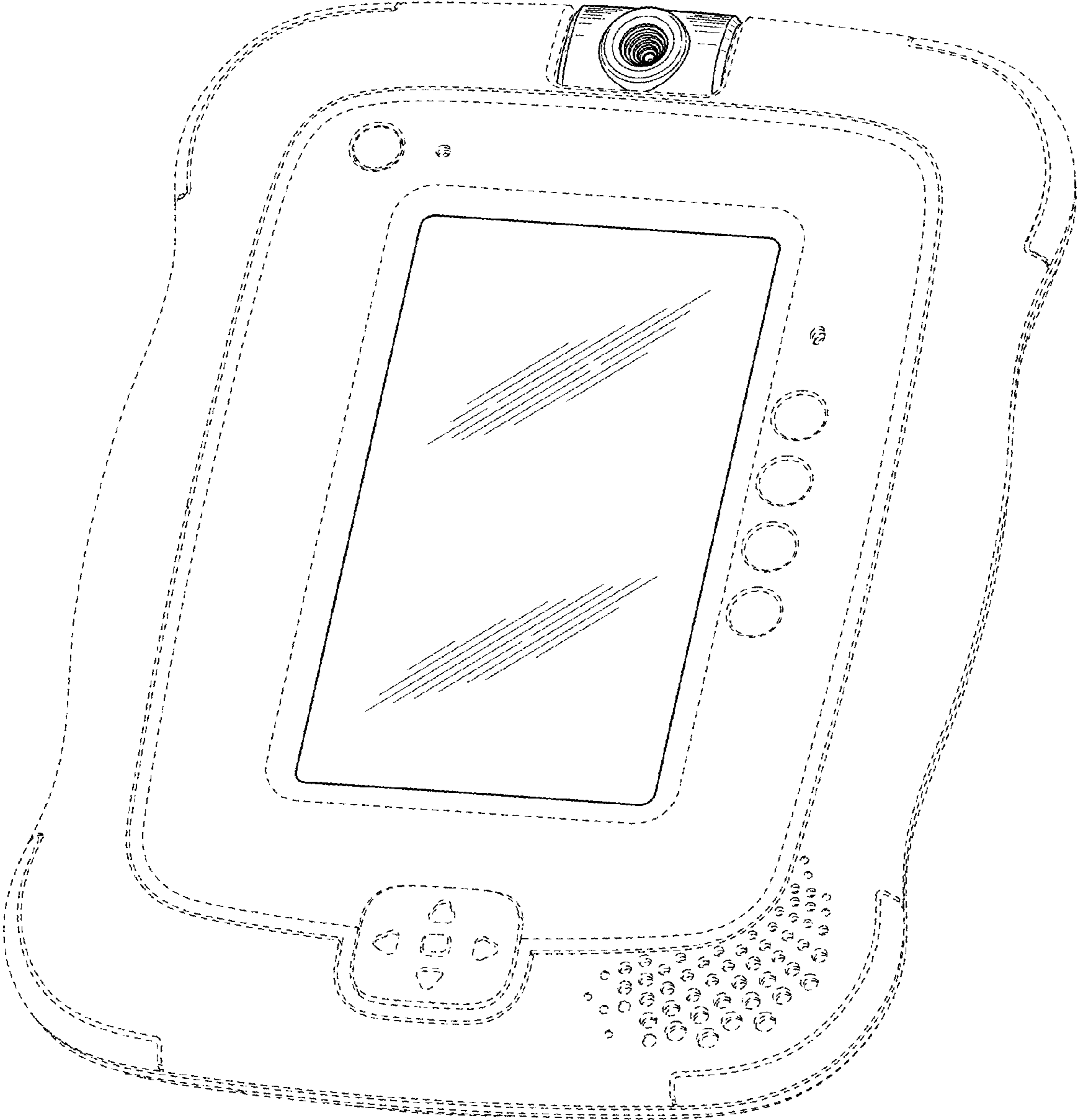


FIG. 1

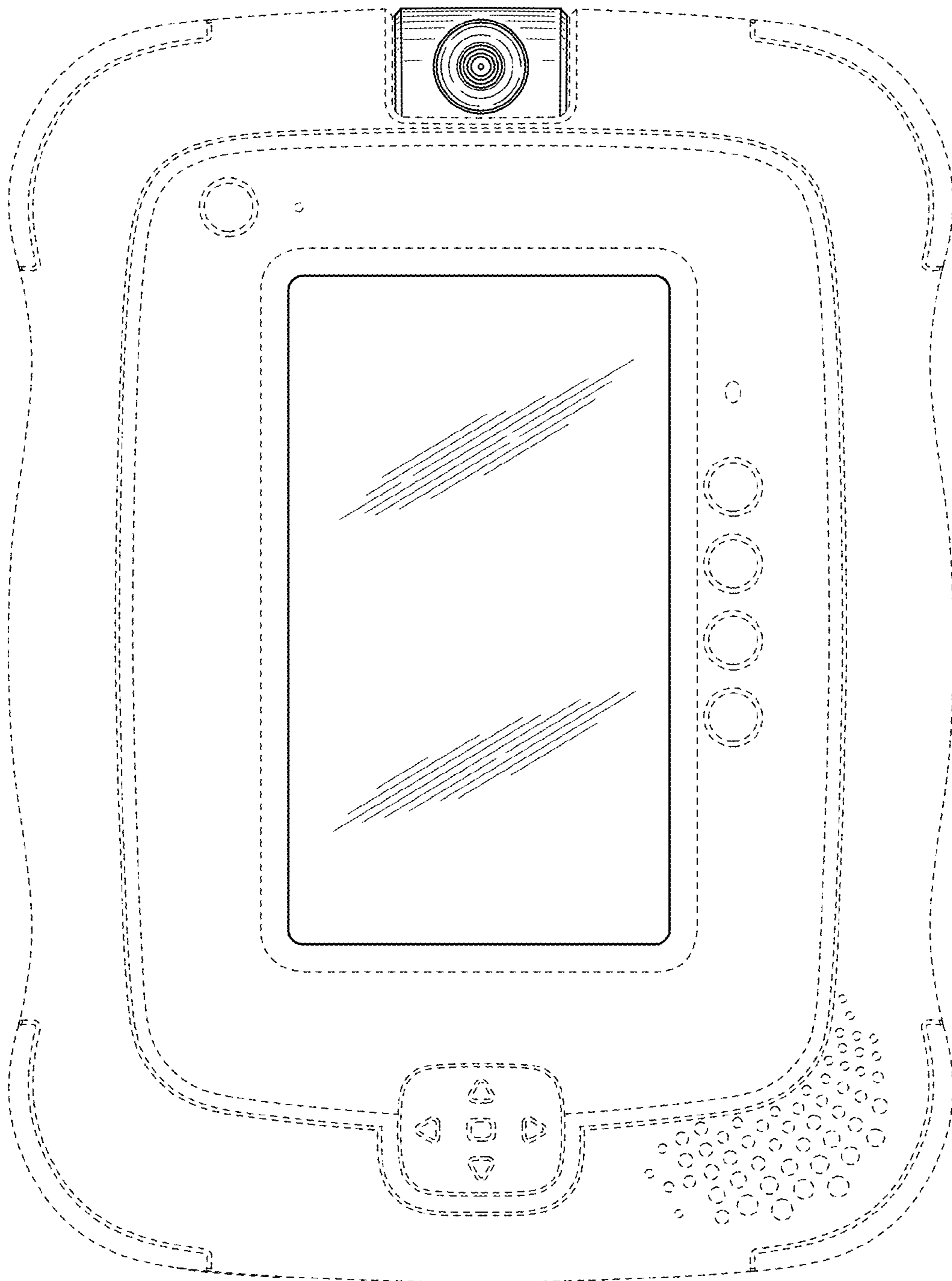


FIG. 2

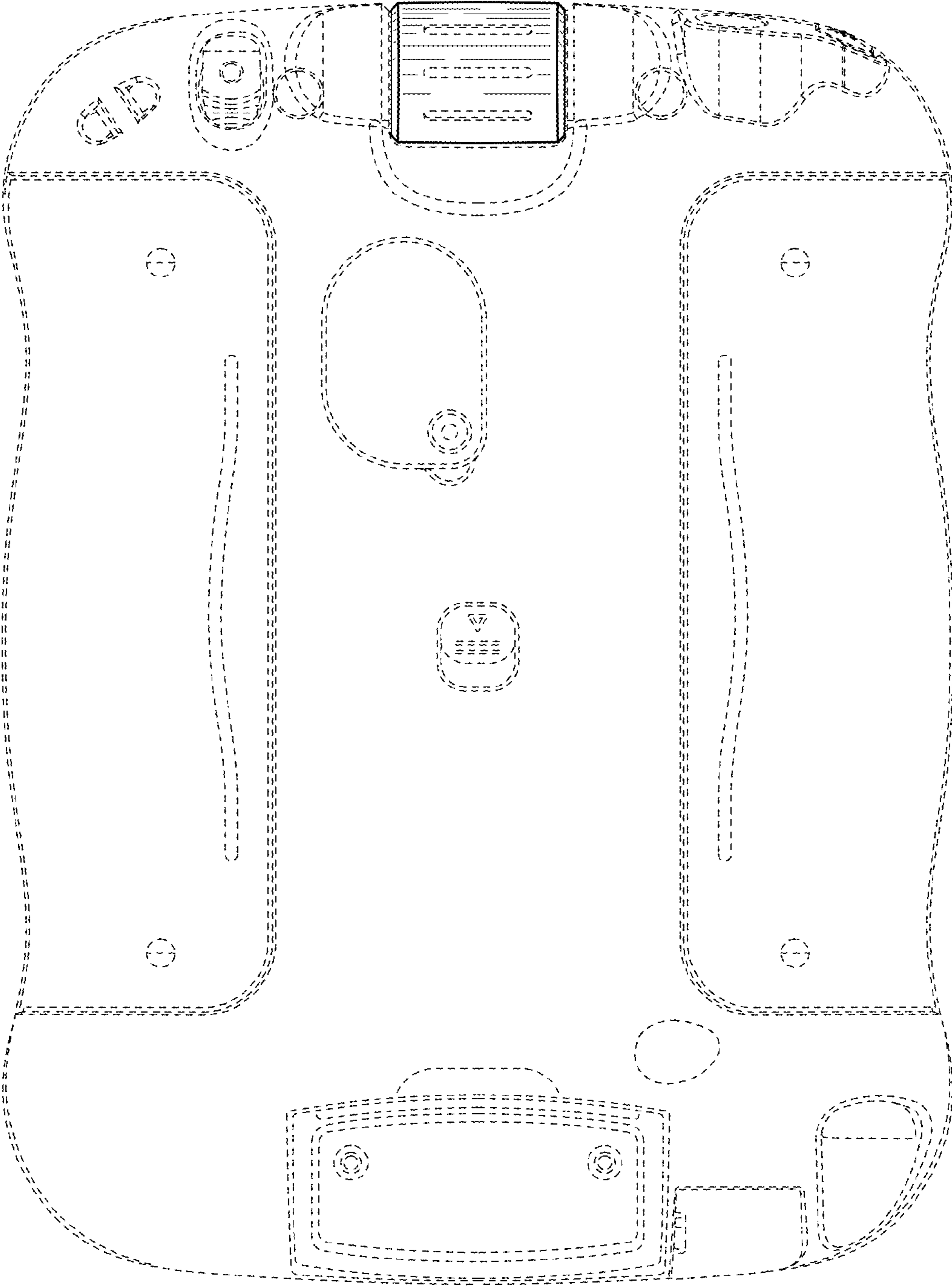


FIG. 3

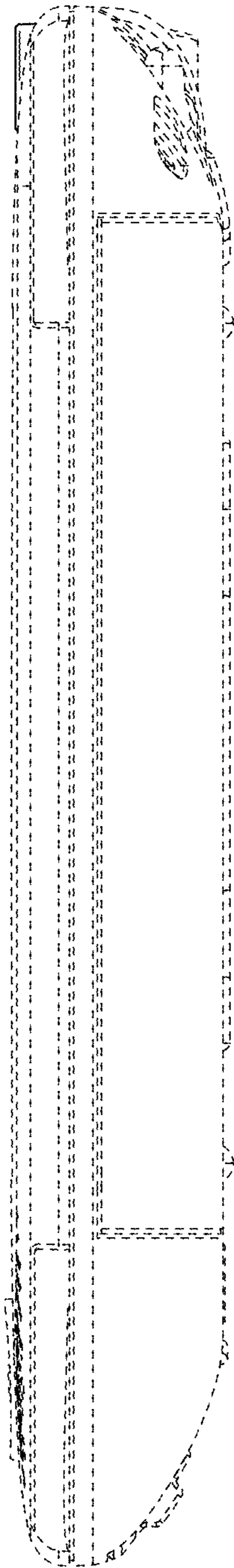


FIG. 4

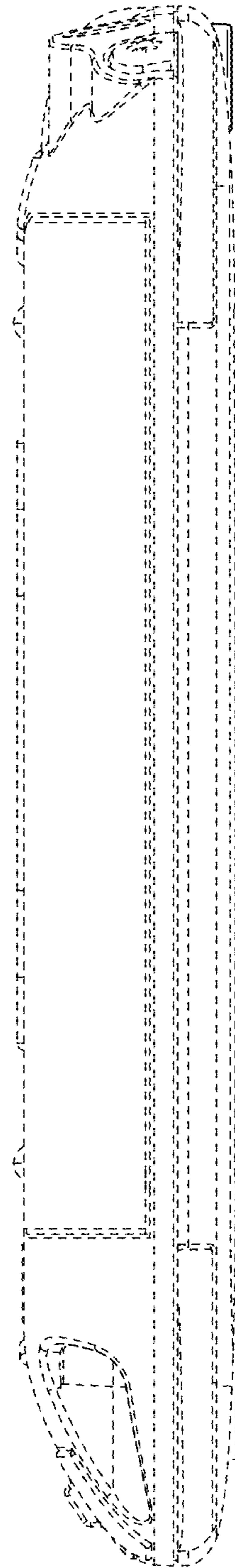


FIG. 5

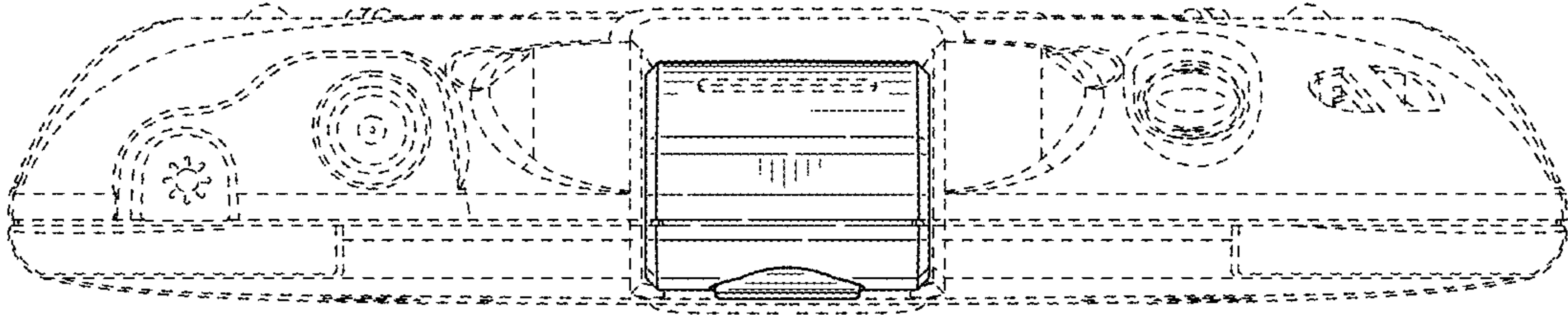


FIG. 6

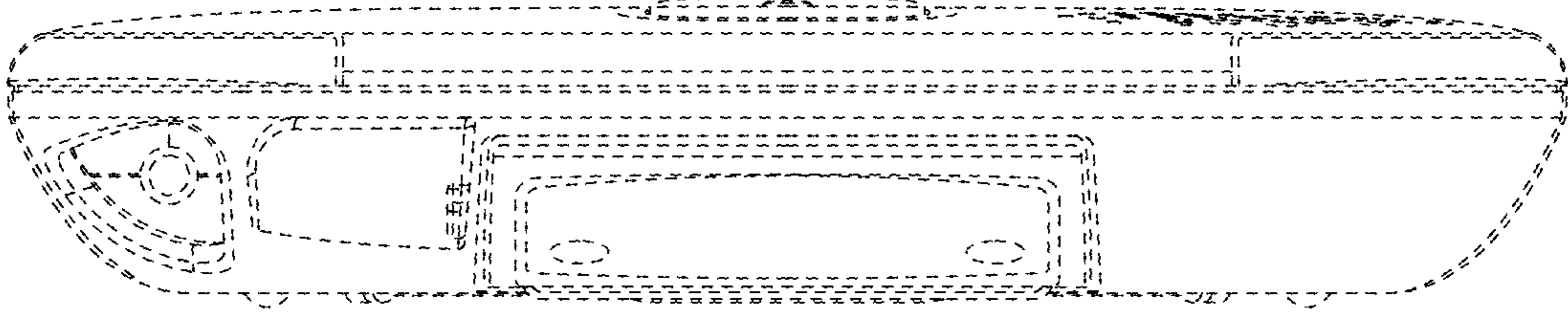


FIG. 7

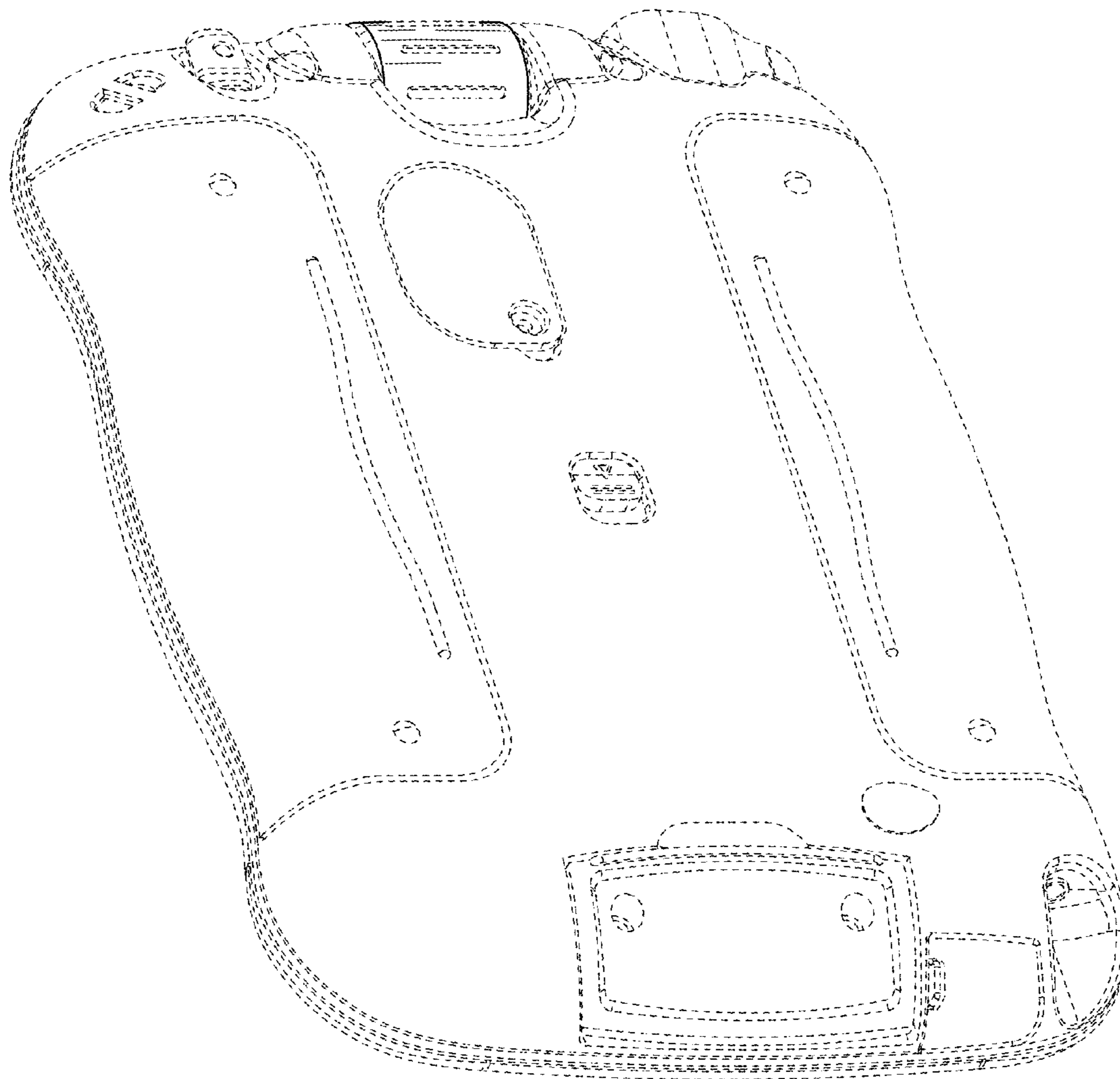


FIG. 8