



US00D751545S

(12) **United States Design Patent**  
**Lee et al.**

(10) **Patent No.:** **US D751,545 S**  
(45) **Date of Patent:** **\*\* \*Mar. 15, 2016**

(54) **PORTABLE COMPUTER**

(71) Applicant: **Samsung Electronics Co., Ltd.**,  
Suwon-Si, Gyeonggi-do (KR)  
(72) Inventors: **Son-Young Lee**, Seoul (KR); **Won-Suk Chung**, Gangnam-gu (KR); **Jun-Se Kim**, Gwank-gu (KR); **Sang-Won Yoon**, Seocho-gu (KR)  
(73) Assignee: **Samsung Electronics Co., Ltd.**,  
Suwon-Si (KR)

(\* ) Notice: This patent is subject to a terminal disclaimer.

(\*\* ) Term: **14 Years**

(21) Appl. No.: **29/457,839**

(22) Filed: **Jun. 13, 2013**

(30) **Foreign Application Priority Data**

Dec. 14, 2012 (KR) ..... 30-2012-0060495

(51) **LOC (10) Cl.** ..... **14-02**

(52) **U.S. Cl.**  
USPC ..... **D14/341**

(58) **Field of Classification Search**  
USPC ..... D14/341-347, 137, 138 R, 138 AA, D14/138 C, 138 G, 496, 203.1, 203.3, 203.4, D14/203.7, 129, 130, 147, 218, 247, 248, D14/250, 374, 385, 388, 389, 315-318, 420, D14/426, 439; D10/65, 104.1; D21/324, D21/329, 330, 332; 455/556.1, 556.2, 566, 455/575.1, 90.3; 379/433.04, 433.01, 379/433.06, 916; 345/173, 901, 905; 361/679.26, 679.27, 679.3, 679.55, 361/679.56; D6/308, 310; 463/37; 248/917-924; 348/376; D19/26, 59-60  
CPC ..... A63H 33/3016; G06F 1/1613; H04M 1/0202; H04M 1/0279; H04M 1/0281; H04M 1/0283

See application file for complete search history.

(56) **References Cited**

U.S. PATENT DOCUMENTS

D270,061 S 8/1983 Akeret  
D284,084 S 6/1986 Ferrara, Jr.

(Continued)

FOREIGN PATENT DOCUMENTS

KR 3005506890000 1/2010  
KR 3005544080000 2/2010

(Continued)

OTHER PUBLICATIONS

Design U.S. Appl. No. 29/457,870 Inventor: Son-Young Lee, et al., filed Jun. 13, 2013 entitled Body of Portable Computer.

(Continued)

*Primary Examiner* — Barbara Fox

*Assistant Examiner* — Dana K Weiland

(74) *Attorney, Agent, or Firm* — Wood, Herron & Evans, LLP

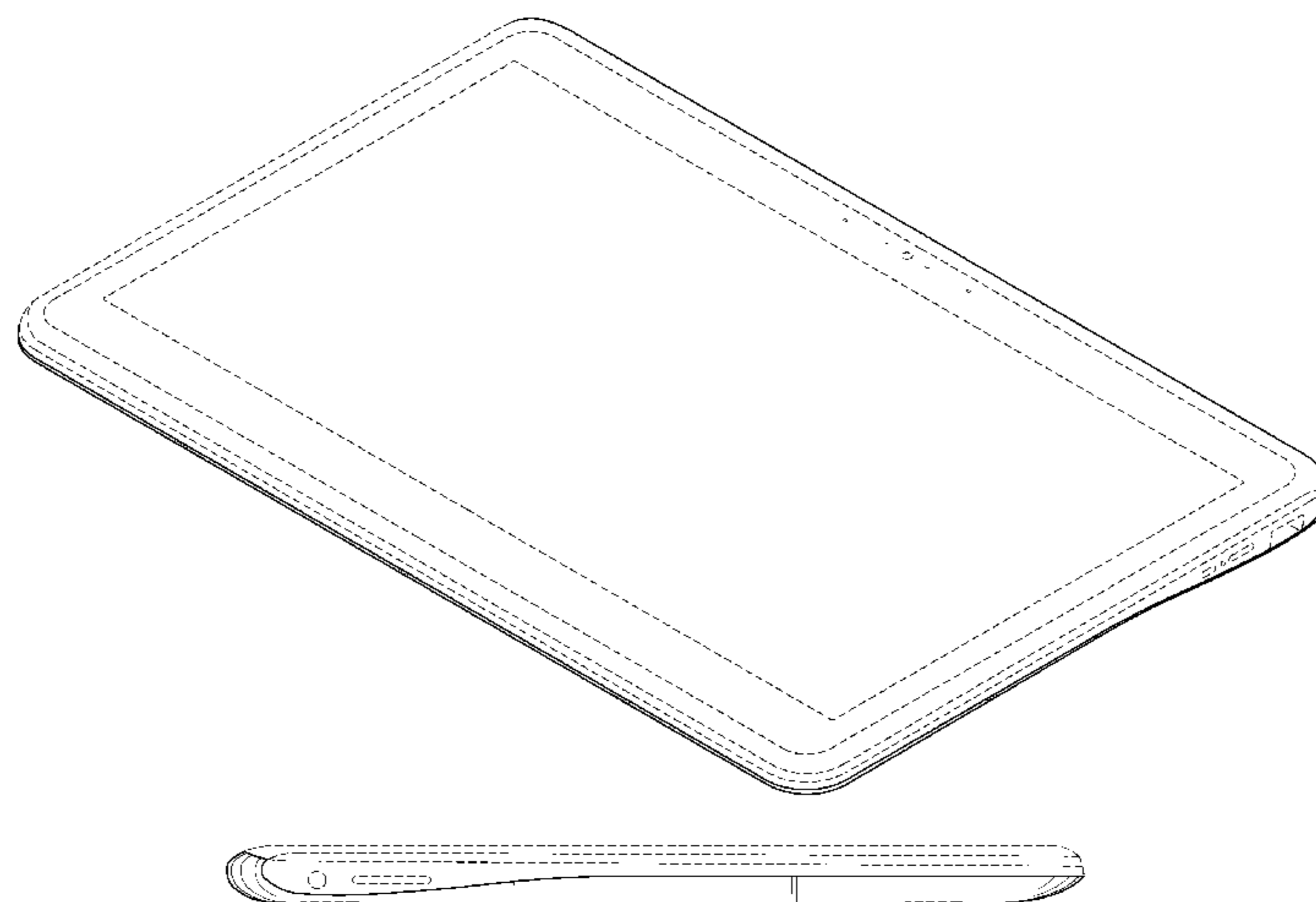
(57) **CLAIM**

The ornamental design for a portable computer, as shown and described.

**DESCRIPTION**

FIG. 1 is a right front perspective view of a portable computer showing our new design;  
FIG. 2 is a bottom view thereof;  
FIG. 3 is a top view thereof;  
FIG. 4 is a left view thereof;  
FIG. 5 is a right view thereof;  
FIG. 6 is a front view thereof; and,  
FIG. 7 is a rear view thereof.  
The broken lines illustrate portions of the portable computer that form no part of the claimed design.

**1 Claim, 4 Drawing Sheets**



(56)

References Cited

U.S. PATENT DOCUMENTS

D306,583 S	3/1990	Krolopp et al.	D639,806 S	6/2011	Lee et al.	
D333,574 S	3/1993	Ackeret	D640,220 S	6/2011	Shyu et al.	
D337,569 S	7/1993	Kando	D640,255 S	6/2011	Lee et al.	
5,267,123 A	11/1993	Boothroyd et al.	D641,018 S	7/2011	Lee et al.	
5,887,723 A	3/1999	Myles et al.	7,986,983 B2	7/2011	Harmon et al.	
D416,238 S	11/1999	Irie et al.	D645,465 S	9/2011	Lin et al.	
6,067,224 A	5/2000	Nobuchi	D645,833 S *	9/2011	Seflic et al. ....	D14/138 G
6,259,597 B1	7/2001	Anzai et al.	D646,902 S	10/2011	Woo et al.	
D460,759 S	7/2002	West et al.	D650,381 S	12/2011	Park et al.	
D463,797 S	10/2002	Andre et al.	D651,206 S	12/2011	Kim et al.	
6,519,139 B2	2/2003	Kambayashi	D651,597 S	1/2012	Lee et al.	
D490,420 S	5/2004	Solomon et al.	D651,598 S	1/2012	Kim et al.	
6,775,129 B1	8/2004	Ghosh et al.	D651,599 S	1/2012	Kim et al.	
6,781,819 B2	8/2004	Yang et al.	D651,600 S	1/2012	Lee et al.	
6,785,128 B1	8/2004	Yun	D652,415 S	1/2012	Lee et al.	
D499,704 S	12/2004	Song	D652,416 S	1/2012	Park et al.	
6,829,140 B2	12/2004	Shimano et al.	D652,417 S	1/2012	Lee et al.	
D500,991 S	1/2005	Niitsu	D652,831 S	1/2012	Lee et al.	
D504,889 S	5/2005	Andre et al.	D654,073 S	2/2012	Li	
D517,545 S	3/2006	Buckel et al.	D654,468 S	2/2012	Duan et al.	
D532,791 S	11/2006	Kim	D654,498 S	2/2012	Hwang et al.	
D540,790 S	4/2007	Kim et al.	D654,893 S	2/2012	Jung	
D558,460 S	1/2008	Yu et al.	D657,785 S	4/2012	Lee et al.	
D563,804 S	3/2008	Kimura et al.	D658,173 S	4/2012	Kim	
D564,511 S	3/2008	Akhtar	D659,692 S	5/2012	Jung et al.	
D579,930 S	11/2008	Maskatia	D661,294 S	6/2012	Park et al.	
D584,738 S	1/2009	Kim et al.	D661,295 S	6/2012	Park et al.	
D587,710 S	3/2009	Han	D661,298 S	6/2012	Park et al.	
D588,126 S	3/2009	Chiang et al.	D661,299 S	6/2012	Kim et al.	
D589,511 S	3/2009	Han	D661,300 S	6/2012	Kim et al.	
D589,958 S	4/2009	Han	D661,301 S	6/2012	Kim et al.	
D590,374 S	4/2009	Madonna et al.	D661,302 S	6/2012	Fukasawa et al.	
D592,212 S	5/2009	Hamada et al.	D663,281 S	7/2012	Hwang	
D592,214 S	5/2009	Bradford	D663,298 S *	7/2012	Song et al. ....	D14/341
7,542,284 B1	6/2009	Wilson, Sr.	D664,532 S	7/2012	Lee	
D601,138 S	9/2009	Solomon et al.	D664,533 S	7/2012	Lee et al.	
D602,014 S	10/2009	Andre et al.	D664,534 S	7/2012	Lee et al.	
D602,487 S	10/2009	Maskatia	D664,535 S	7/2012	Lee et al.	
D604,291 S	11/2009	Andre et al.	D664,540 S	7/2012	Kim et al.	
D605,626 S	12/2009	Park	D664,954 S	8/2012	Kim et al.	
D606,539 S	12/2009	Liao et al.	D664,955 S	8/2012	Kim et al.	
D606,961 S	12/2009	Aarras	D666,198 S	8/2012	Van Den Nieuwenhuizen et al.	
D610,582 S	2/2010	Sugitani et al.	D667,396 S	9/2012	Koh	
D611,364 S	3/2010	Lenz et al.	D667,397 S	9/2012	Koh	
D613,510 S	4/2010	Tzeng et al.	D667,398 S	9/2012	Koh	
D613,951 S	4/2010	Tang et al.	D667,399 S	9/2012	Koh	
D613,961 S	4/2010	Lin	D667,825 S	9/2012	Jung	
D616,440 S	5/2010	Lee	D668,650 S	10/2012	Han	
D616,886 S	6/2010	Andre et al.	D668,651 S	10/2012	Kim et al.	
D617,793 S	6/2010	Chiang et al.	D669,070 S	10/2012	Hsu et al.	
D622,270 S	8/2010	Andre et al.	D669,468 S	10/2012	Akana et al.	
D624,914 S	10/2010	Wang	D669,469 S	10/2012	Kang	
D625,306 S	10/2010	Miyawaki	D670,286 S	11/2012	Akana et al.	
D626,124 S	10/2010	Chyan et al.	D670,692 S	11/2012	Akana et al.	
D626,437 S	11/2010	Lee et al.	D671,111 S	11/2012	Kim et al.	
D627,341 S *	11/2010	Yoon ..... D14/315	D671,514 S *	11/2012	Kim et al. ....	D14/138 G
D627,667 S	11/2010	Lenz et al.	D671,536 S	11/2012	Fukasawa et al.	
D628,913 S	12/2010	Cheng	D671,538 S	11/2012	Kim et al.	
D629,771 S	12/2010	Haspil et al.	D671,539 S	11/2012	Kim et al.	
D629,799 S	12/2010	Andre et al.	D672,344 S	12/2012	Li	
D630,636 S	1/2011	Jeon et al.	D672,345 S	12/2012	Li	
D631,455 S	1/2011	Kim et al.	D672,768 S	12/2012	Huang et al.	
D631,469 S	1/2011	Demskie et al.	D673,561 S	1/2013	Hyun et al.	
D633,498 S	3/2011	Andre et al.	D673,950 S	1/2013	Li et al.	
D634,318 S	3/2011	Buckle et al.	D674,384 S	1/2013	Zhang	
D634,745 S	3/2011	Park et al.	D675,203 S *	1/2013	Yang ..... D14/341	
7,916,889 B2	3/2011	Takakusaki	D676,538 S	2/2013	Fehring	
D636,391 S	4/2011	Shen et al.	D677,181 S	3/2013	Lenz et al.	
D636,769 S	4/2011	Wood et al.	D677,255 S	3/2013	McManigal et al.	
D636,770 S	4/2011	Li	D677,660 S	3/2013	Groene et al.	
D638,392 S	5/2011	Price et al.	D678,271 S	3/2013	Chiu	
D638,412 S	5/2011	Lee	D678,875 S *	3/2013	Chen ..... D14/341	
D639,226 S	6/2011	Juergens et al.	D680,533 S	4/2013	Song et al.	
D639,804 S	6/2011	Hwang et al.	D682,264 S	5/2013	Kim et al.	
D639,805 S	6/2011	Song et al.	D682,821 S	5/2013	Kim et al.	
			D682,822 S	5/2013	Kim et al.	
			D682,823 S	5/2013	Park et al.	
			D682,824 S	5/2013	Kim et al.	
			D682,825 S	5/2013	Kim et al.	

(56)

References Cited

U.S. PATENT DOCUMENTS

D682,826	S	5/2013	Kim et al.	
D682,827	S	5/2013	Park et al.	
D682,828	S	5/2013	Kim et al.	
D686,202	S	7/2013	Lee et al.	
D686,203	S	7/2013	Lee et al.	
D689,481	S	* 9/2013	Song et al.	D14/341
D692,880	S	* 11/2013	Song et al.	D14/341
D695,250	S	* 12/2013	Kim et al.	D14/138 G
D696,662	S	* 12/2013	Song et al.	D14/341
D698,353	S	* 1/2014	Choi	D14/341
D700,180	S	* 2/2014	Hong	D14/341
D702,229	S	* 4/2014	Lim et al.	D14/341
D705,777	S	* 5/2014	Groene et al.	D14/341
D709,490	S	* 7/2014	Lee et al.	D14/315
D712,899	S	* 9/2014	Park et al.	D14/341
D715,285	S	* 10/2014	Lee et al.	D14/315
D715,286	S	* 10/2014	Lee et al.	D14/315
D716,799	S	* 11/2014	Green et al.	D14/341
D718,303	S	* 11/2014	Choteau et al.	D14/341
D718,763	S	* 12/2014	Lee et al.	D14/315
2003/0048595	A1	3/2003	Hsieh et al.	
2003/0151888	A1	8/2003	Chien et al.	
2005/0018396	A1	1/2005	Nakajima et al.	
2005/0041378	A1	2/2005	Hamada et al.	
2009/0231292	A1	9/2009	Hsieh et al.	
2011/0074740	A1	3/2011	Liu	
2011/0294555	A1	12/2011	Happonen et al.	
2012/0092195	A1	4/2012	Lin	

FOREIGN PATENT DOCUMENTS

KR	3005639120000	6/2010
KR	3005639130000	6/2010
KR	3005680110000	7/2010
KR	3005804720000	11/2010
KR	3005869900000	1/2011
KR	3005942330000	3/2011
KR	3005958550000	4/2011
KR	3005985190000	5/2011
KR	3005994750000	5/2011
KR	3006004150000	5/2011
KR	3006004300000	5/2011
KR	3006013110001	6/2011
KR	3006013130000	6/2011
KR	3006013160000	6/2011
KR	3006013170000	6/2011
KR	3006046440000	7/2011
KR	3006052790000	7/2011
KR	3006052810000	7/2011
KR	3006052820000	7/2011
KR	3006052830000	7/2011
KR	3006059710000	7/2011
KR	3006063210000	7/2011
KR	3006064090000	7/2011
KR	3006083610000	8/2011
KR	3006083630000	8/2011
KR	3006083640000	8/2011
KR	3006083650000	8/2011
KR	3006083710000	8/2011
KR	3006083730000	8/2011
KR	3006085180000	8/2011

OTHER PUBLICATIONS

Design U.S. Appl. No. 29/457,871 Inventor: Son-Young Lee, et al., filed Jun. 13, 2013 entitled Display for a Portable Computer.  
 Design U.S. Appl. No. 29/457,873 Inventor: Son-Young Lee, et al., filed Jun. 13, 2013 entitled Portable Computer.  
 Design U.S. Appl. No. 29/457,874 Inventor: Won-Suk Chung, et al., filed Jun. 13, 2013 entitled Body of Portable Computer.  
 Design U.S. Appl. No. 29/457,875 Inventor: Son-Young Lee, et al., filed Jun. 13, 2013 entitled Display for a Portable Computer.  
 Design U.S. Appl. No. 29/458,186 Inventor: Ji-Eun Myung, et al., filed Jun. 28, 2013 entitled Portable Computer.

Design U.S. Appl. No. 29/458,191 Inventor: Ji-Eun Myung, et al., filed Jun. 28, 2013 entitled Portable Computer.  
 Design U.S. Appl. No. 29/458,200 Inventor: Ji-Eun Myung, et al., filed Jun. 28, 2013 entitled Body of Portable Computer.  
 Design U.S. Appl. No. 29/458,204 Inventor: Ji-Eun Myung, et al., filed Jun. 28, 2013 entitled Portable Computer.  
 Design U.S. Appl. No. 29/458,206 Inventor: Ji-Eun Myung, et al., filed Jun. 28, 2013 entitled Body of Portable Computer.  
 Design U.S. Appl. No. 29/458,207 Inventor: Ji-Eun Myung, et al., filed Jun. 28, 2013 entitled Display for a Portable Computer.  
 Design U.S. Appl. No. 29/458,277 Inventor: Ji-Eun Myung, et al., filed Jun. 28, 2013 entitled Display for a Portable Computer.  
 Design U.S. Appl. No. 29/458,285 Inventor: Ji-Eun Myung, et al., filed Jun. 28, 2013 entitled Display for a Portable Computer.  
 Design U.S. Appl. No. 29/458,289 Inventor: Ji-Eun Myung, et al., filed Jun. 28, 2013 entitled Body of Portable Computer.  
 Design U.S. Appl. No. 29/458,290 Inventor: Ji-Eun Myung, et al., filed Jun. 28, 2013 entitled Display for a Portable Computer.  
 Design U.S. Appl. No. 29/452,596 Inventor: Son-Young Lee, et al., filed Apr. 18, 2013 entitled Portable Computer.  
 Design U.S. Appl. No. 29/405,537 Applicant: Ik-Sang Kim, et al., filed Nov. 3, 2011 entitled Tablet Computer.  
 Design U.S. Appl. No. 29/407,975 Applicant: Bum-Ho Chun, et al., filed Dec. 6, 2011 entitled Tablet Computer.  
 Design U.S. Appl. No. 29/407,982 Applicant: EunuaeShally Lee, et al., filed Dec. 6, 2011 entitled Tablet Computer.  
 Design U.S. Appl. No. 29/407,984 Applicant: So-Yoon Jeon, et al., filed Dec. 6, 2011 entitled Tablet Computer.  
 Design U.S. Appl. No. 29/408,017 Applicant: Jae-Seung Song, et al., filed Dec. 6, 2011 entitled Tablet Computer.  
 Design U.S. Appl. No. 29/416,029 Applicant: Min-Jung Kim, et al., filed Mar. 16, 2012 entitled Tablet Computer.  
 Design U.S. Appl. No. 29/416,032 Applicant: Min-Jung Kim, et al., filed Mar. 16, 2012 entitled Tablet Computer.  
 Design U.S. Appl. No. 29/418,670 Applicant: Byeong-Yong Song, et al., filed Apr. 19, 2012 entitled Tablet Computer.  
 Design U.S. Appl. No. 29/419,893 Applicant: Ik-Sang Kim, et al., filed May 2, 2012 entitled Slate Computer.  
 Design U.S. Appl. No. 29/419,907 Applicant: Ik-Sang Kim, et al., filed May 2, 2012 entitled Slate Computer.  
 Design U.S. Appl. No. 29/419,911 Applicant: Min-Jung Kim, et al., filed May 2, 2012 entitled Tablet Computer.  
 Design U.S. Appl. No. 29/420,669 Applicant: Woo-Teik Lim, et al., filed May 11, 2012 entitled Tablet Computer.  
 Design U.S. Appl. No. 29/422,581 Applicant: Jung-Hyun Park, et al., filed May 22, 2012 entitled Notebook Computer.  
 Design U.S. Appl. No. 29/422,594 Applicant: Jung-Hyun Park, et al., filed May 22, 2012 entitled Notebook Computer.  
 Design U.S. Appl. No. 29/422,779 Applicant: Tae-Yun Kim, et al., filed May 23, 2012 entitled Notebook Computer.  
 Design U.S. Appl. No. 29/424,453 Applicant: Se-O Lee, et al., filed Jun. 12, 2012 entitled Notebook Computer.  
 Design U.S. Appl. No. 29/424,462 Applicant: Sang-Eun Lee, et al., filed Jun. 12, 2012 entitled Netbook Computer.  
 Design U.S. Appl. No. 29/425,225 Applicant: Seung-Ho Jung, et al., filed Jun. 20, 2012 entitled Portable Computer.  
 Design U.S. Appl. No. 29/425,732 Applicant: Ji-Sang Park, et al., filed Jun. 26, 2012 entitled Portable Computer.  
 Design U.S. Appl. No. 29/425,977 Applicant: Ji-Sang Park, et al., filed Jun. 28, 2012 entitled Tablet Computer.  
 Design U.S. Appl. No. 29/425,978 Applicant: Woo-Teik Lim, et al., filed Jun. 28, 2012 entitled Tablet Computer.  
 Design U.S. Appl. No. 29/427,736 Applicant: Min-Jung Kim, et al., filed Jul. 21, 2012 entitled Tablet Computer.  
 Design U.S. Appl. No. 29/431,774 Applicant: Sang-Eun Lee, et al., filed Sep. 11, 2012 entitled Tablet Computer.  
 Design U.S. Appl. No. 29/435,870 Inventor: Son-Young Lee, et al., filed Oct. 30, 2012 entitled Portable Computer.  
 Design U.S. Appl. No. 29/435,889 Inventor: Dong-Seok Lee, et al., filed Oct. 30, 2012 entitled Portable Computer.  
 Design U.S. Appl. No. 29/438,934 Inventor: Ik-Sang Kim, et al., filed Dec. 5, 2012 entitled Slate Computer.

(56)

**References Cited**

## OTHER PUBLICATIONS

Design U.S. Appl. No. 29/438,948 Inventor: Chung-Ha Kim, et al., filed Dec. 5, 2012 entitled Portable Computer.  
Design U.S. Appl. No. 29/438,951 Inventor: Chung-Ha Kim, et al., filed Dec. 5, 2012 entitled Portable Computer.  
Design U.S. Appl. No. 29/441,093 Inventor: Chang-Ho Lee, et al., filed Dec. 31, 2012 entitled Portable Computer.  
Design U.S. Appl. No. 29/441,101 Inventor: Chang-Ho Lee, et al., filed Dec. 31, 2012 entitled Portable Computer.  
Design U.S. Appl. No. 29/441,112 Inventor: Chang-Ho Lee, et al., filed Dec. 31, 2012 entitled Portable Computer.  
Design U.S. Appl. No. 29/441,114 Inventor: Chang-Ho Lee, et al., filed Dec. 31, 2012 entitled Portable Computer.  
Design U.S. Appl. No. 29/441,179 Inventor: Chang-Ho Lee, et al., filed Jan. 2, 2013 entitled Portable Computer.  
Design U.S. Appl. No. 29/452,297 Inventor: Min-Hee Lee, et al., filed Apr. 15, 2013 entitled Notebook Computer.  
Design U.S. Appl. No. 29/452,583 Inventor: Seung-Ho Jung, et al., filed Apr. 18, 2013 entitled Portable Computer.  
Design U.S. Appl. No. 29/452,586 Inventor: Seung-Ho Jung, et al., filed Apr. 18, 2013 entitled Portable Computer.  
Design U.S. Appl. No. 29/452,588 Inventor: Chung-Ha Kim, et al., filed Apr. 18, 2013 entitled Portable Computer.  
Design U.S. Appl. No. 29/452,592 Inventor: Son-Young Lee, et al., filed Apr. 18, 2013 entitled Portable Computer.

Design U.S. Appl. No. 29/452,593 Inventor: Woo-Teik Lim, et al., filed Apr. 18, 2013 entitled Slate Computer.  
Design U.S. Appl. No. 29/452,594 Inventor: Son-Young Lee, et al., filed Apr. 18, 2013 entitled Portable Computer.  
Design U.S. Appl. No. 29/452,595 Inventor: Ho-Young Seoc, et al., filed Apr. 18, 2013 entitled Slate Computer.  
Design U.S. Appl. No. 29/452,601 Inventor: Ji-Sang Park, et al., filed Apr. 18, 2013 entitled Portable Computer.  
Design U.S. Appl. No. 29/456,501 Inventor: Se-Hun Oh, et al., filed May 31, 2013 entitled Portable Computer.  
Design U.S. Appl. No. 29/452,587 Inventor: Sung-Jin Yum, et al., filed Apr. 18, 2013 entitled Portable Computer.  
Design U.S. Appl. No. 29/457,846 Inventor: Son-Young Lee, et al., filed Jun. 13, 2013 entitled Body of Portable Computer.  
Design U.S. Appl. No. 29/457,848 Inventor: Son-Young Lee, et al., filed Jun. 13, 2013 entitled Portable Computer.  
Design U.S. Appl. No. 29/457,852 Inventor: Son-Young Lee, et al., filed Jun. 13, 2013 entitled Body of Portable Computer.  
Design U.S. Appl. No. 29/457,859 Inventor: Son-Young Lee, et al., filed Jun. 13, 2013 entitled Portable Computer.  
Design U.S. Appl. No. 29/457,864 Inventor: Son-Young Lee, et al., filed Jun. 13, 2013 entitled Portable Computer.  
Design U.S. Appl. No. 29/457,867 Inventor: Son-Young Lee, et al., filed Jun. 13, 2013 entitled Portable Computer.

\* cited by examiner

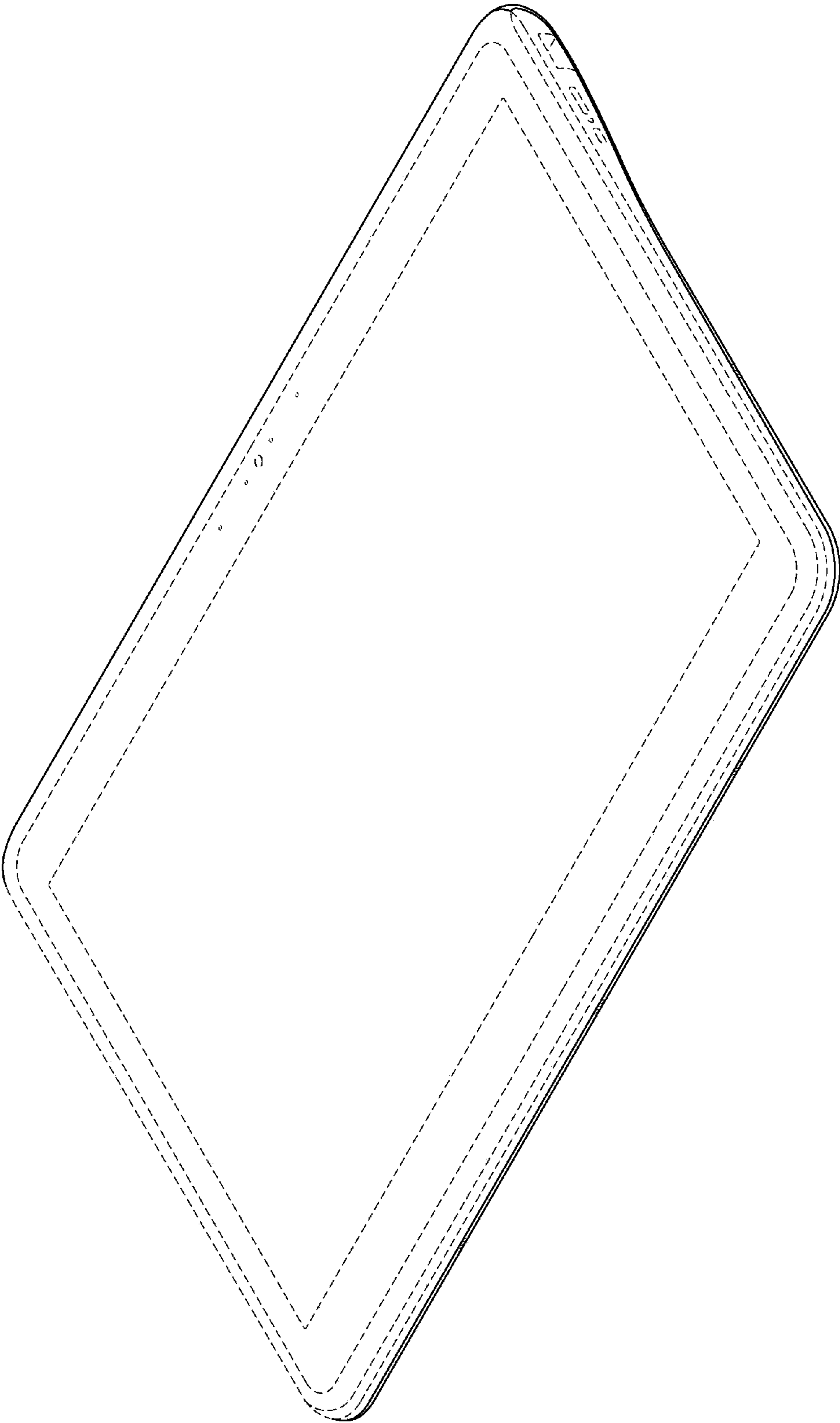


FIG.1

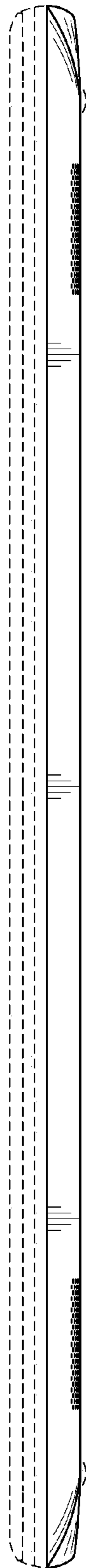


FIG. 2

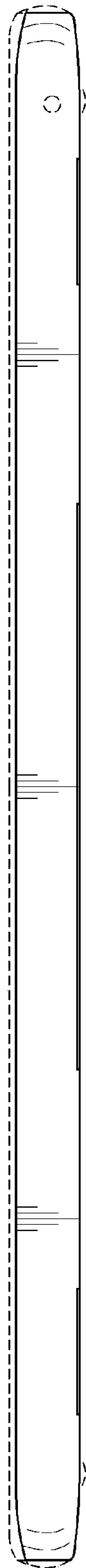


FIG. 3

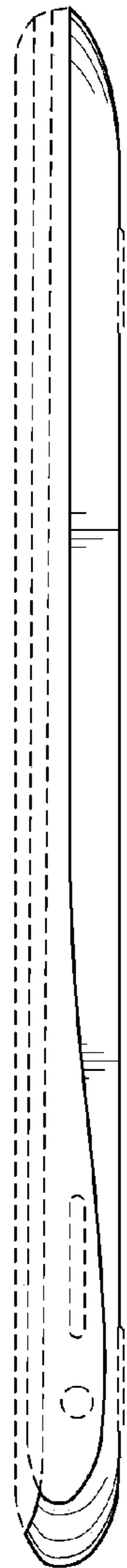


FIG. 4

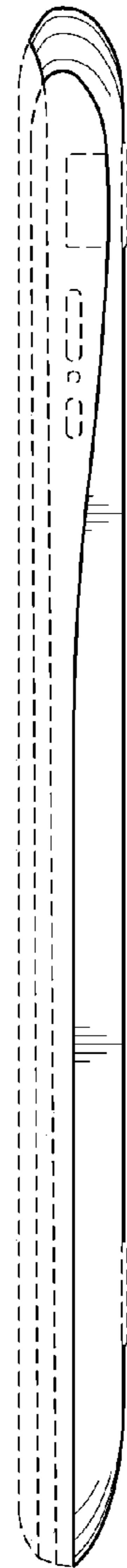


FIG. 5

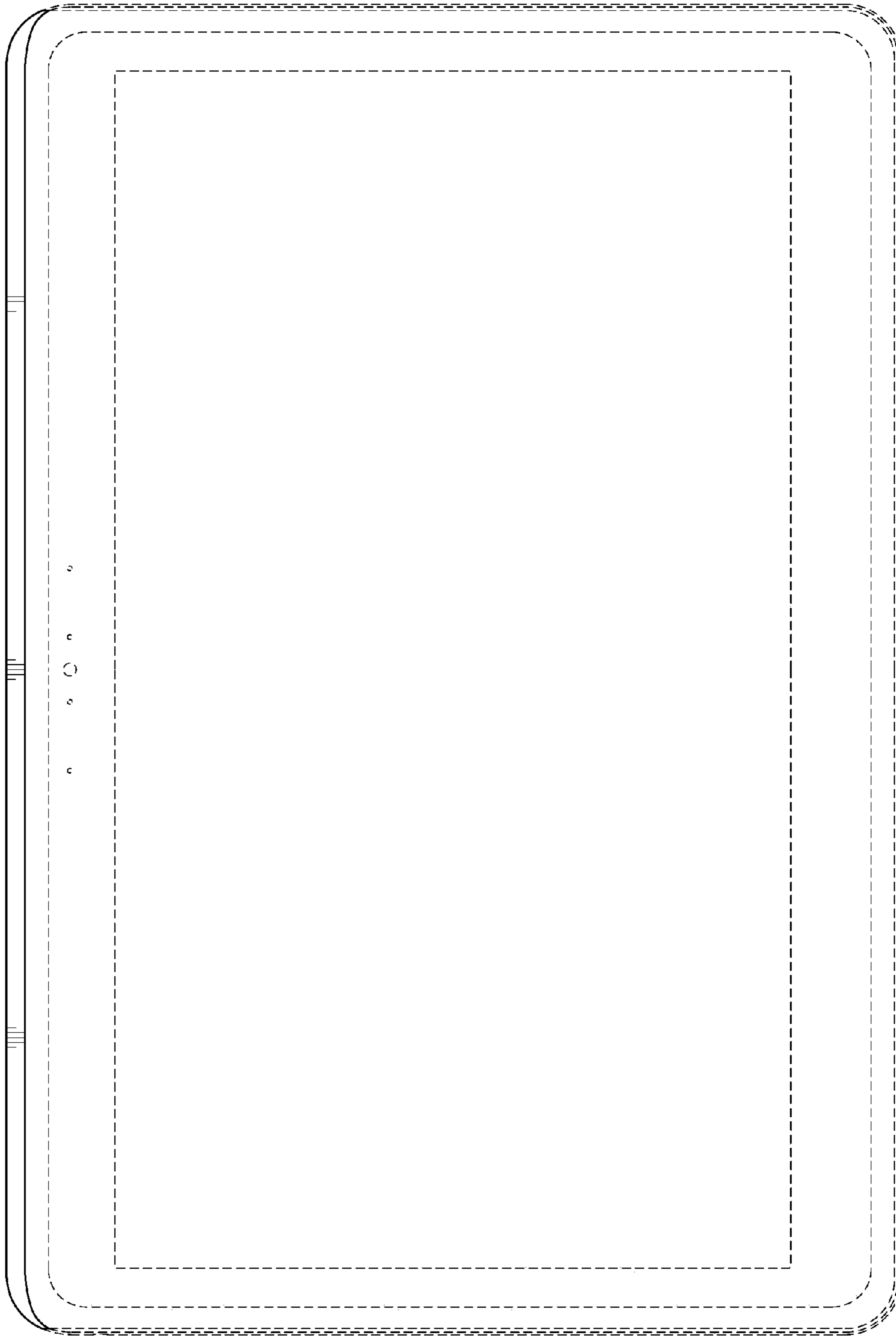


FIG. 6

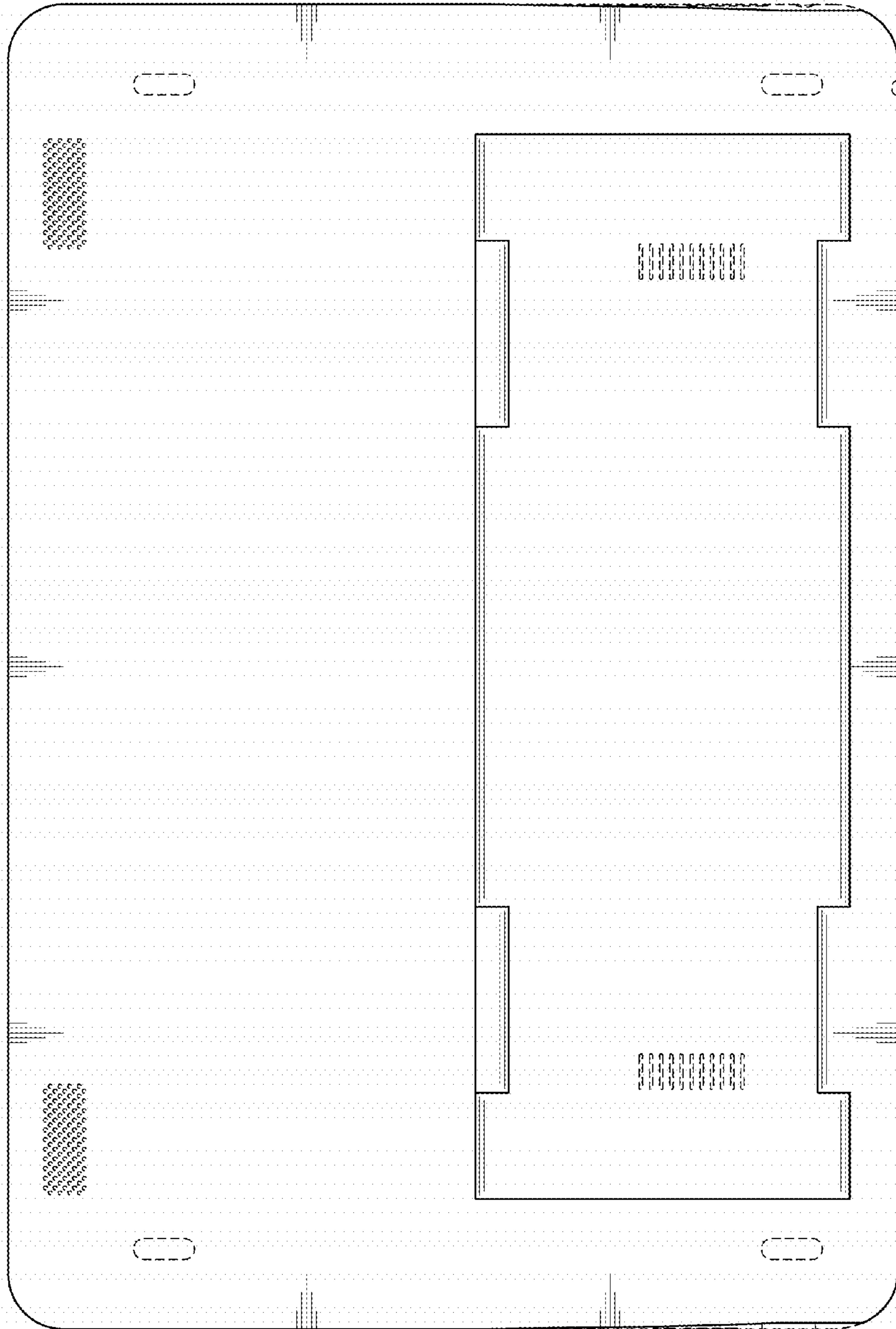


FIG. 7