



US00D751544S

(12) **United States Design Patent**  
**Reznik**

(10) **Patent No.:** **US D751,544 S**  
(45) **Date of Patent:** **\*\* Mar. 15, 2016**

(54) **HEAD MOUNTED DISPLAY**  
(71) Applicant: **RangeVideo, LLC**, North Miami Beach,  
FL (US)  
(72) Inventor: **Vladimir Reznik**, North Miami Beach,  
FL (US)  
(73) Assignee: **RangeVideo, LLC**, North Miami Beach,  
FL (US)

D363,482 S 10/1995 Robinson  
D369,595 S 5/1996 Kober  
5,519,460 A 5/1996 Mills  
D370,909 S 6/1996 Oikawa  
D375,495 S \* 11/1996 MacInnes ..... D14/372  
D381,646 S 7/1997 Taylor  
D383,455 S 9/1997 MacInnes  
5,682,172 A \* 10/1997 Travers ..... A42B 3/042  
345/8  
D388,426 S 12/1997 Pombo  
D394,649 S 5/1998 Pombo  
5,774,096 A 6/1998 Usuki et al.

(\*\*) Term: **15 Years**

(21) Appl. No.: **29/542,846**

(22) Filed: **Oct. 19, 2015**

(Continued)

*Primary Examiner* — Barbara Fox

*Assistant Examiner* — Katie Mroczka

(74) *Attorney, Agent, or Firm* — Max Kaganov, PA

**Related U.S. Application Data**

(63) Continuation of application No. 29/524,089, filed on  
Apr. 16, 2015, now Pat. No. Des. 741,327.

(51) **LOC (10) Cl.** ..... **14-02**

(52) **U.S. Cl.**  
USPC ..... **D14/327**

(58) **Field of Classification Search**  
USPC ..... D14/448, 449, 327, 125, 126, 129, 299,  
D14/371, 432, 496; D16/300–342; 351/144,  
351/153, 158; 345/7–9, 905; 455/344;  
348/53, 115, 121, 739  
CPC ..... G02B 27/017; G02B 27/0189  
See application file for complete search history.

(56) **References Cited**

**U.S. PATENT DOCUMENTS**

4,395,731 A \* 7/1983 Schoolman ..... A61B 19/26  
348/143  
D293,328 S 12/1987 Murphy et al.  
D293,450 S 12/1987 Jannard  
D300,476 S \* 3/1989 Sestak ..... D16/130  
D338,514 S 8/1993 Holmes  
D351,622 S 10/1994 Holmes

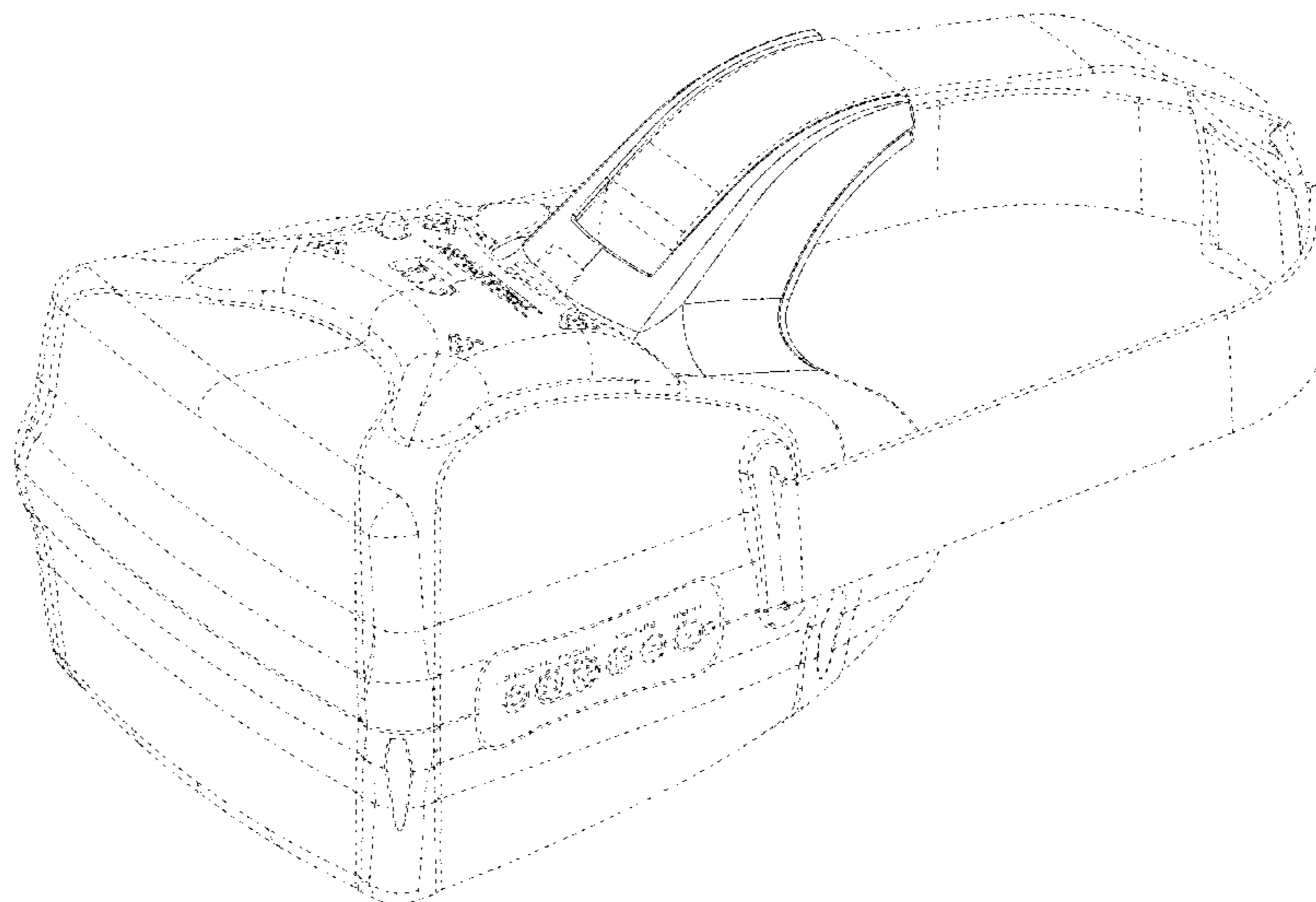
(57) **CLAIM**

The ornamental design for a head mounted display, as shown  
and described.

**DESCRIPTION**

FIG. 1 is a top, rear, and right perspective view of a head  
mounted display, showing my design;  
FIG. 2 is a top, front, and right perspective view thereof;  
FIG. 3 is a top, front, and left perspective view thereof;  
FIG. 4 is a bottom, rear, and right perspective view thereof;  
FIG. 5 is a left side elevational view thereof;  
FIG. 6 is a front elevational view thereof;  
FIG. 7 is a right side elevational view thereof;  
FIG. 8 is a rear elevational view thereof;  
FIG. 9 is a top plan view thereof;  
FIG. 10 is a rear and right perspective view thereof with the  
strap removed; and,  
FIG. 11 is a bottom, rear, and right perspective view thereof  
with the strap removed.  
The structural features depicted by broken lines have been  
shown for the purpose of illustrating portions of the head  
mounted display that form no part of the claimed design.

**1 Claim, 11 Drawing Sheets**



(56)

References Cited

U.S. PATENT DOCUMENTS

D415,146 S	10/1999	Hori	
5,991,085 A	11/1999	Rallison et al.	
D427,982 S	7/2000	Ishii	
D432,508 S *	10/2000	Park .....	D14/372
D444,155 S *	6/2001	Morooka .....	D14/496
6,369,952 B1	4/2002	Rallison et al.	
D565,640 S	4/2008	Estrem	
D571,838 S	6/2008	Yee	
D574,405 S	8/2008	Yee	
D601,641 S	10/2009	Yeung	
D645,862 S	9/2011	Paul	
D669,471 S *	10/2012	Hwang .....	D14/372
D682,268 S *	5/2013	Ricks .....	D14/372
D687,434 S	8/2013	Serota	
D695,738 S	12/2013	Kumagai	
D701,206 S	3/2014	Luckey	
D704,706 S	5/2014	Serota	
D709,880 S	7/2014	Kim	
D714,786 S	10/2014	Pombo	
D718,306 S *	11/2014	Mehin .....	D14/372
D719,953 S	12/2014	Nokuo	
D722,054 S	2/2015	Serota	
D724,559 S	3/2015	Reaux	
D725,690 S	3/2015	Garfias	
D727,318 S	4/2015	Garcia Marin et al.	
D727,896 S	4/2015	Laluque	
D732,028 S *	6/2015	Kim .....	D14/372
D733,137 S *	6/2015	Kawai .....	D14/372
D733,709 S *	7/2015	Kawai .....	D14/372
2013/0300949 A1	11/2013	Yamamoto et al.	
2013/0335536 A1	12/2013	Kura et al.	

\* cited by examiner

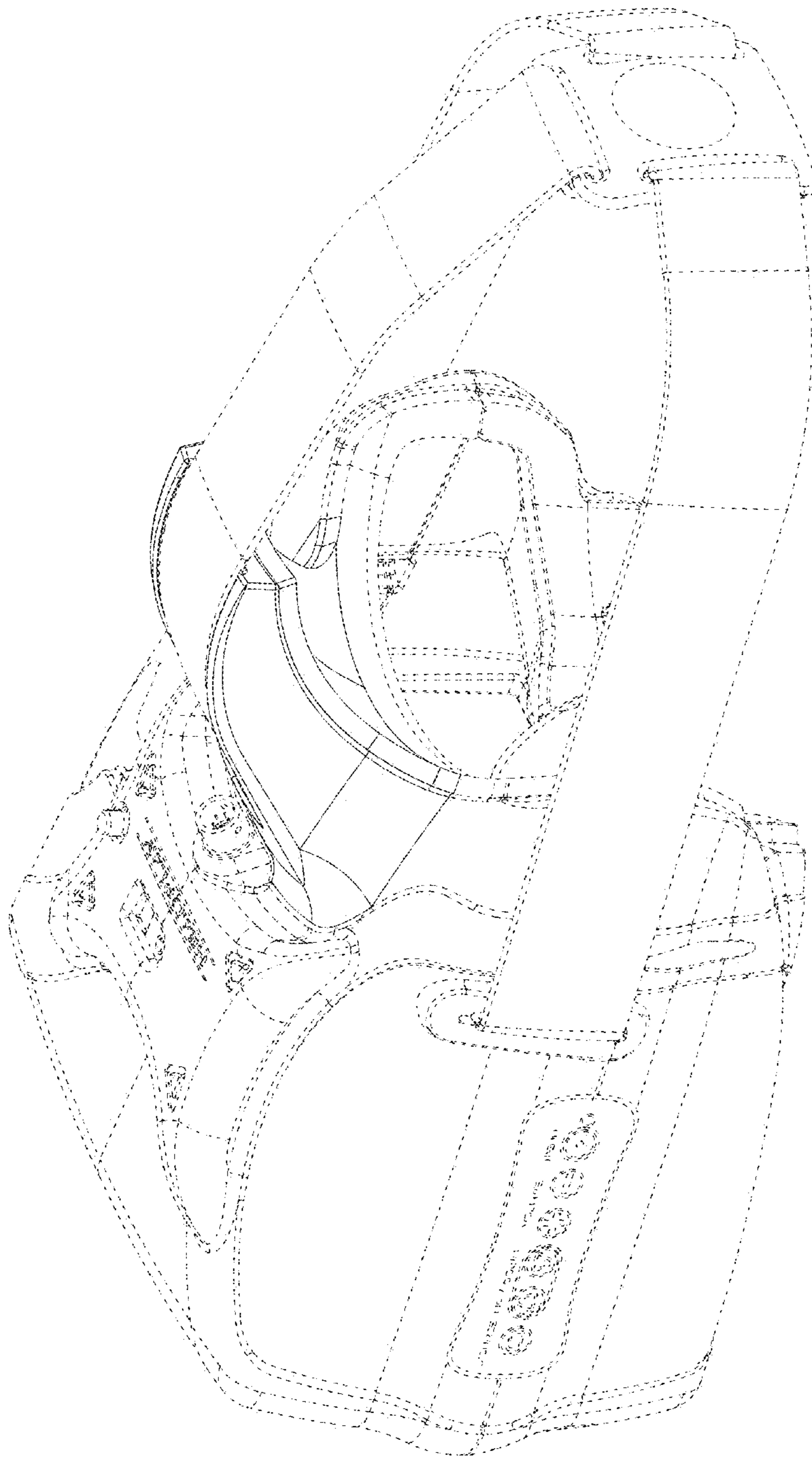


Fig. 1

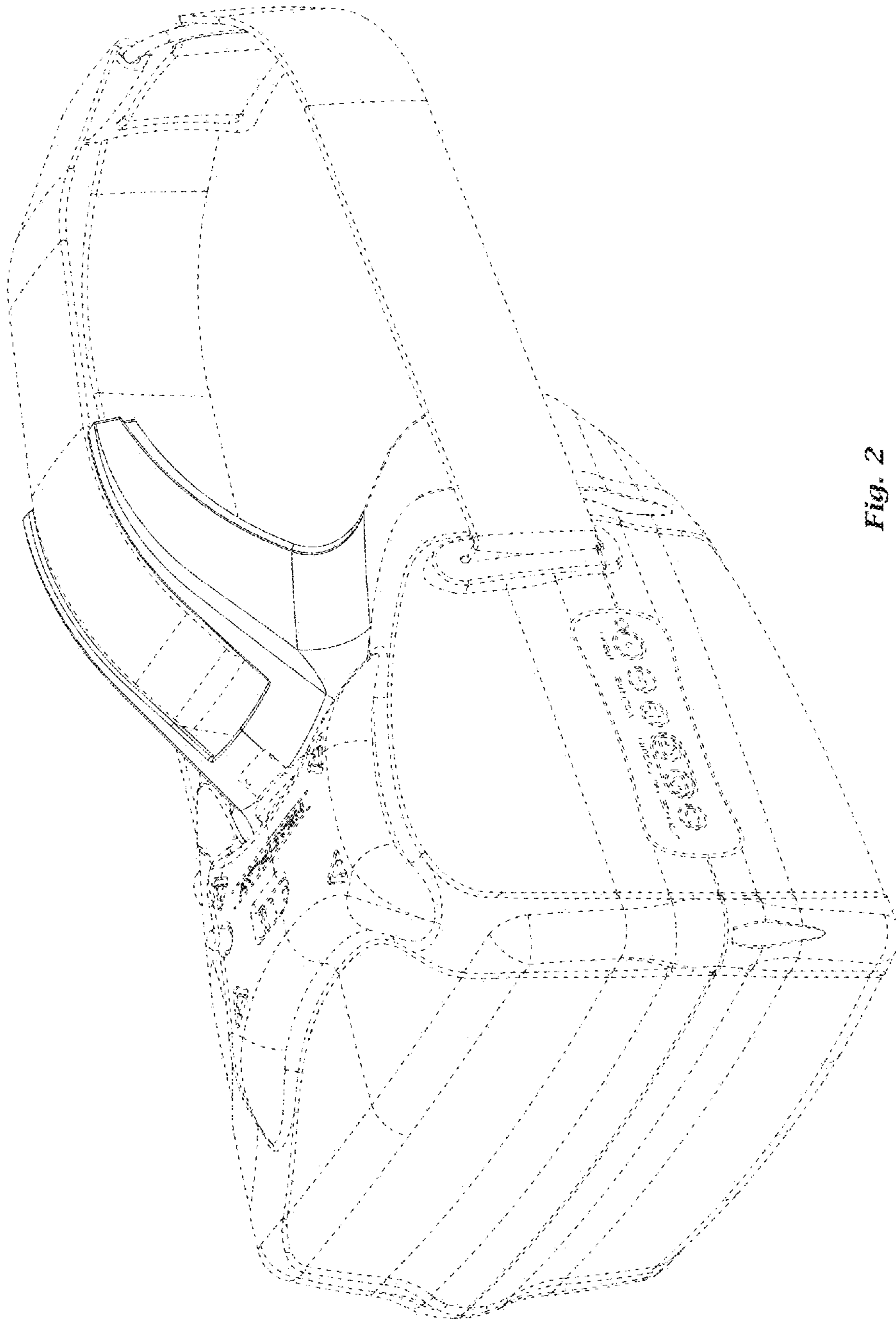


FIG. 2



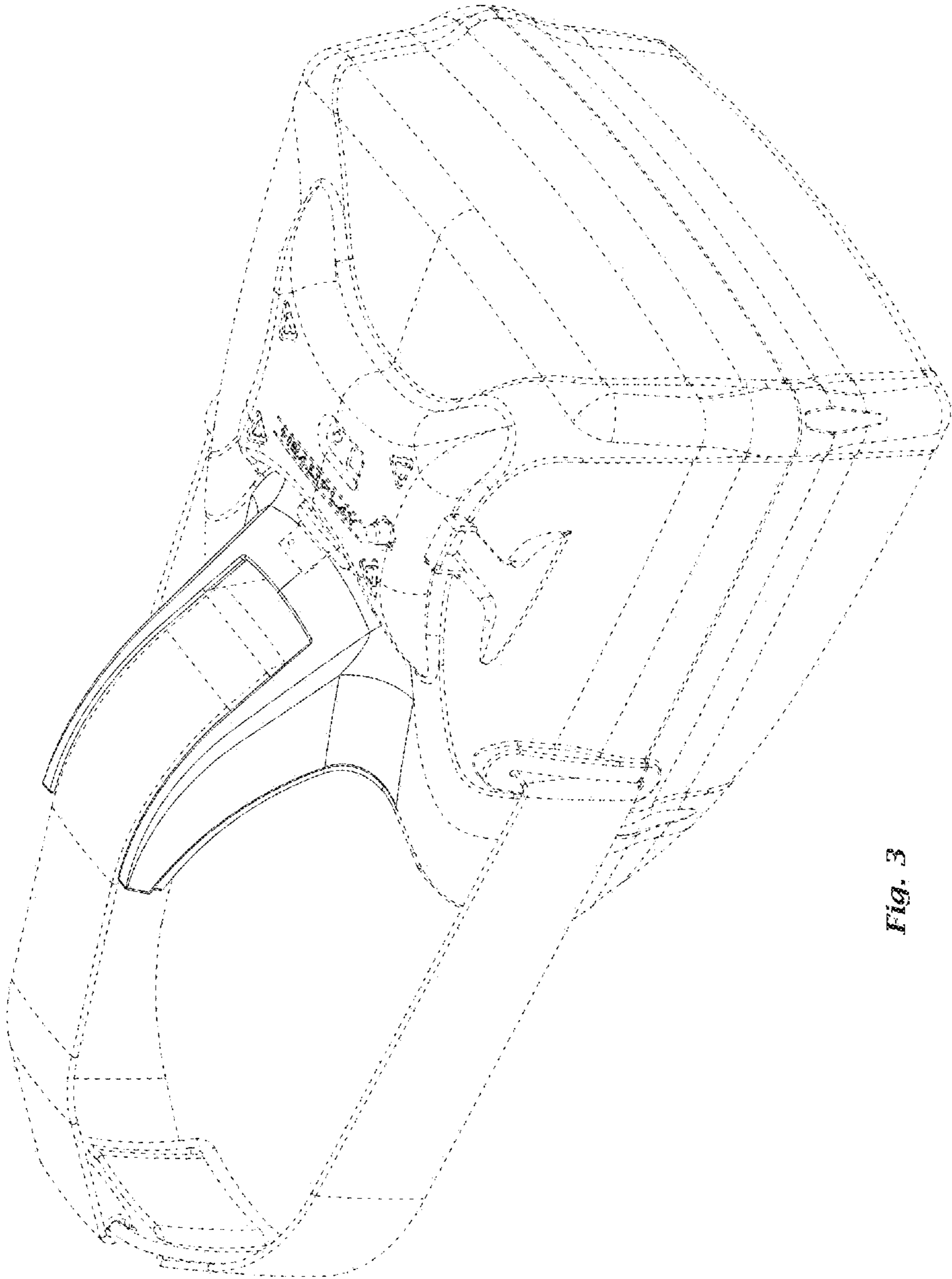


Fig. 3

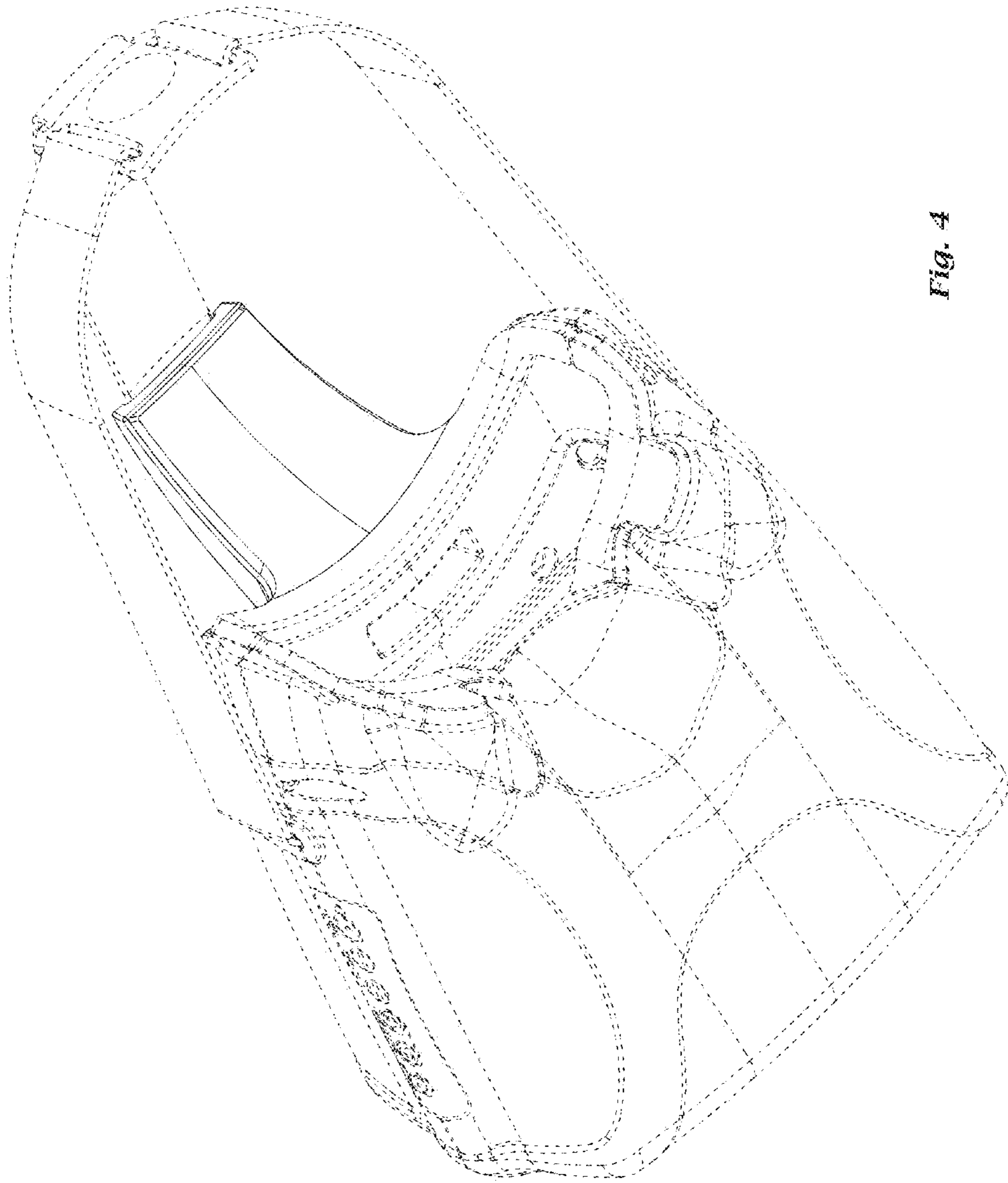


FIG. 4

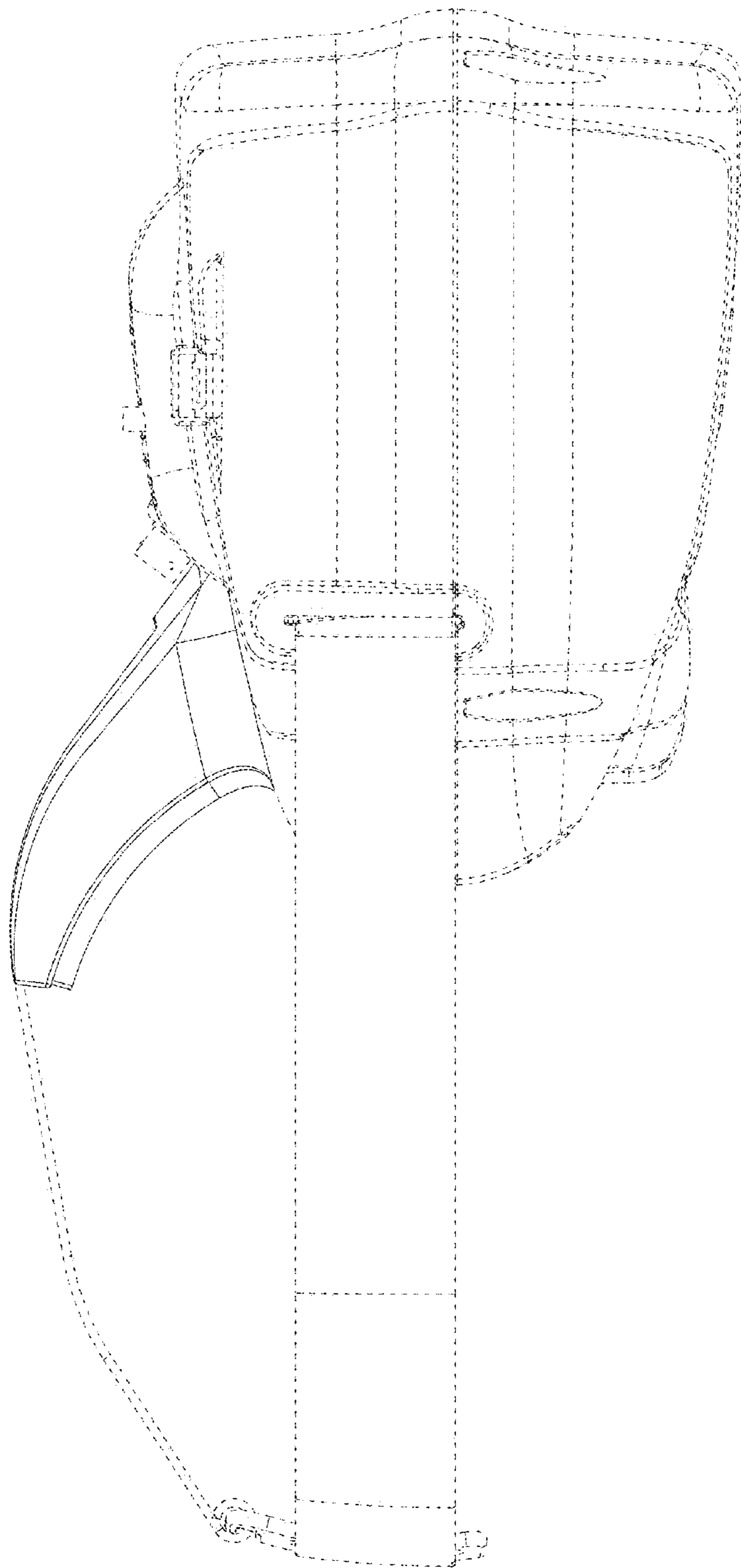


Fig. 5

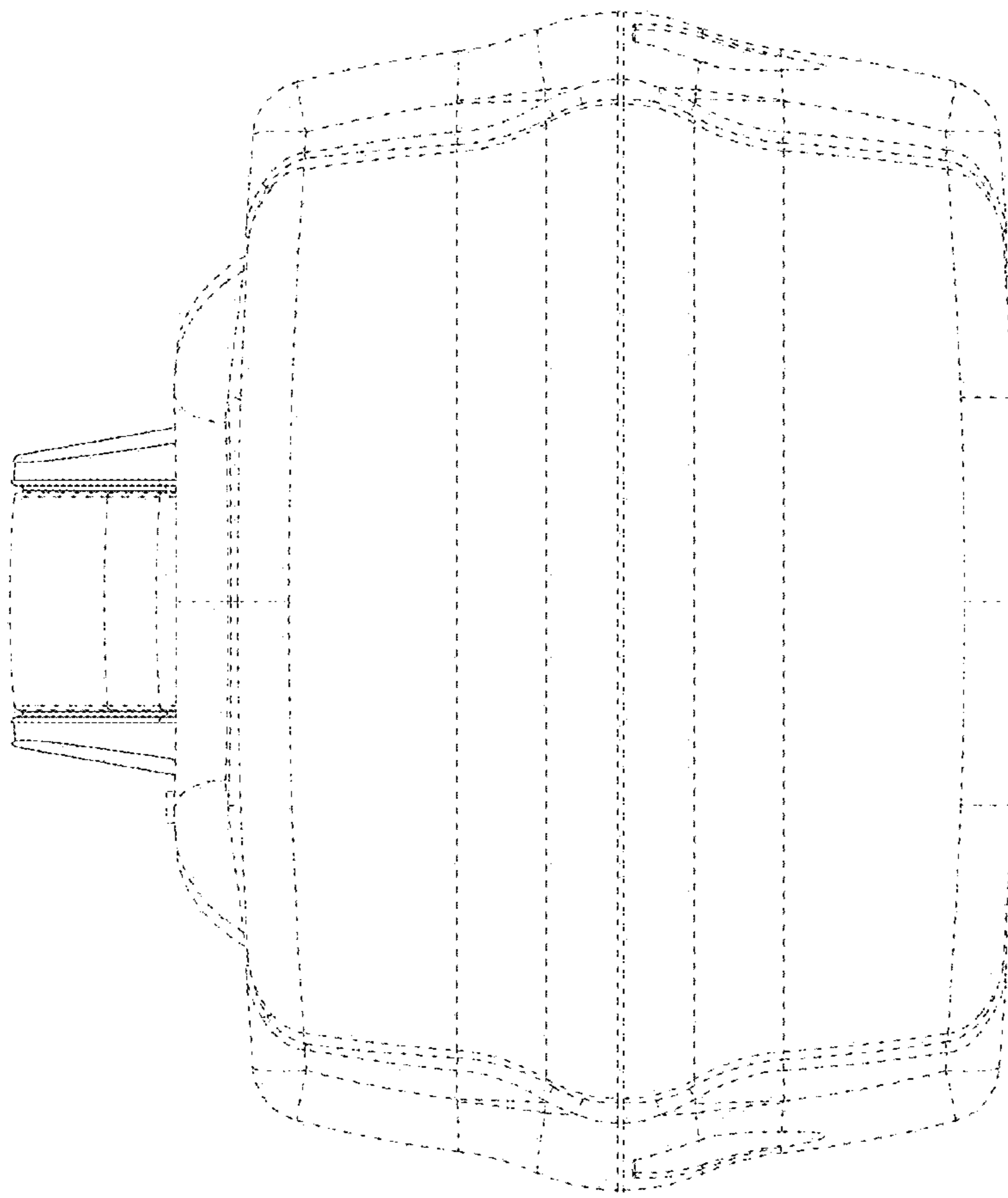


Fig. 6



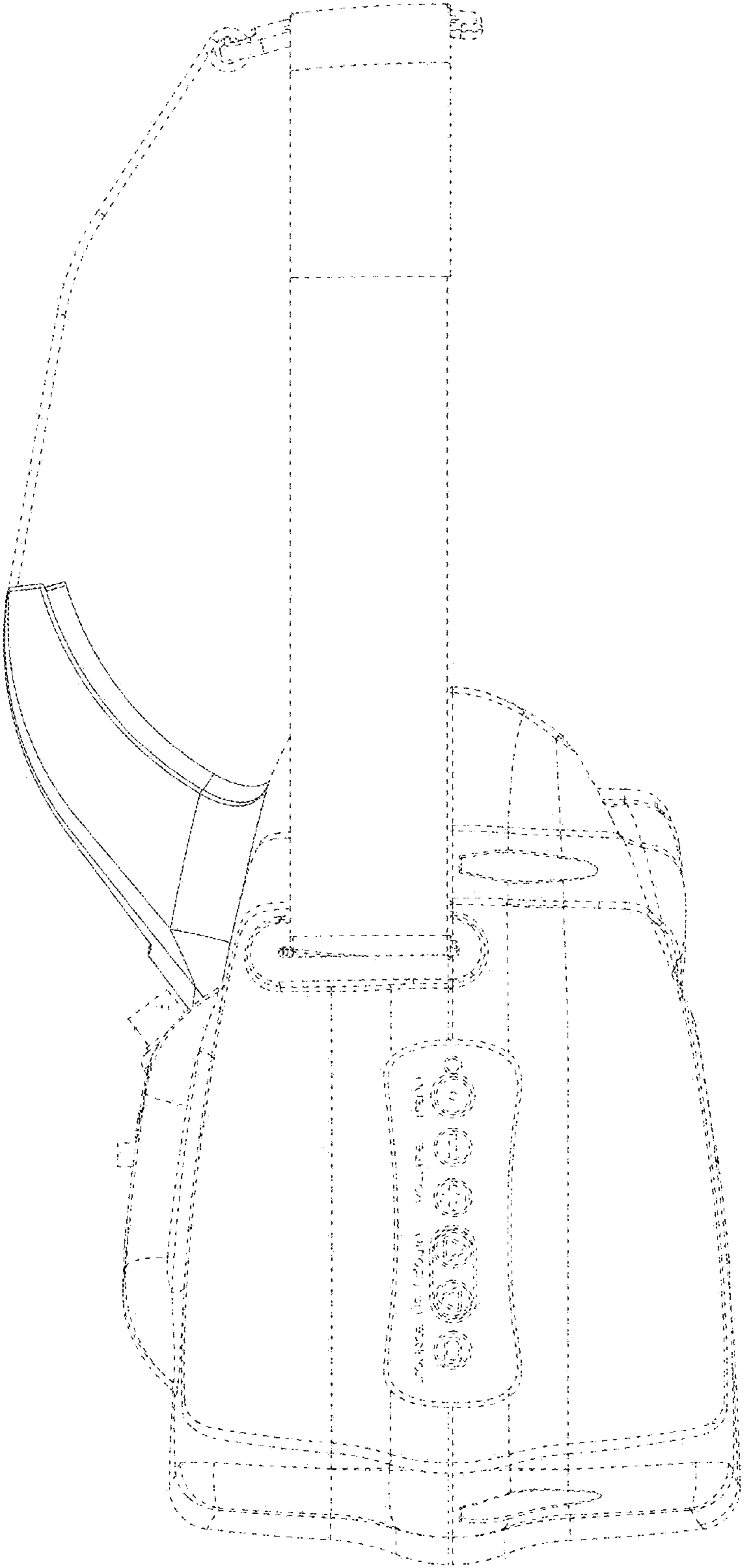
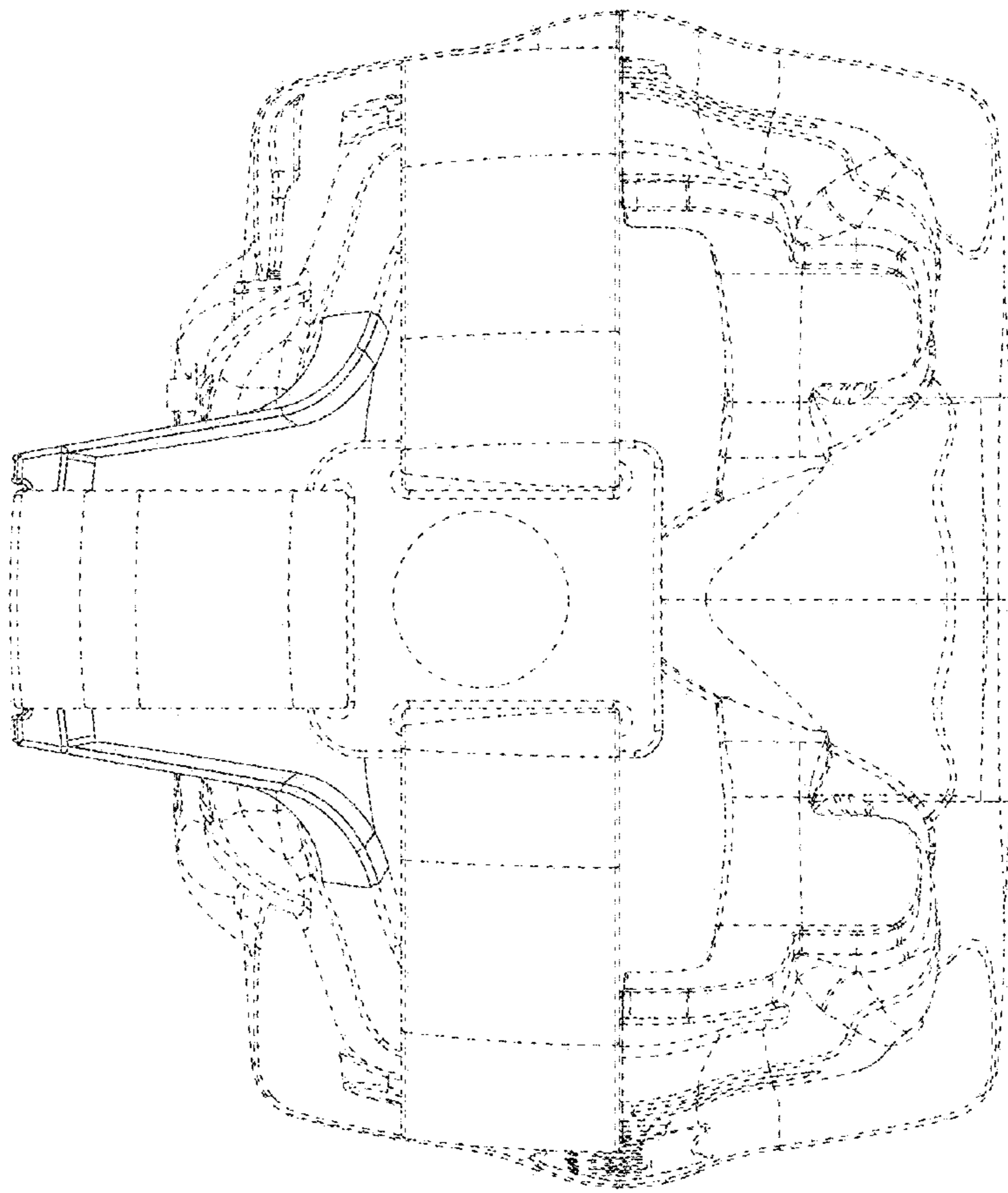


Fig. 7



*Fig. 8*

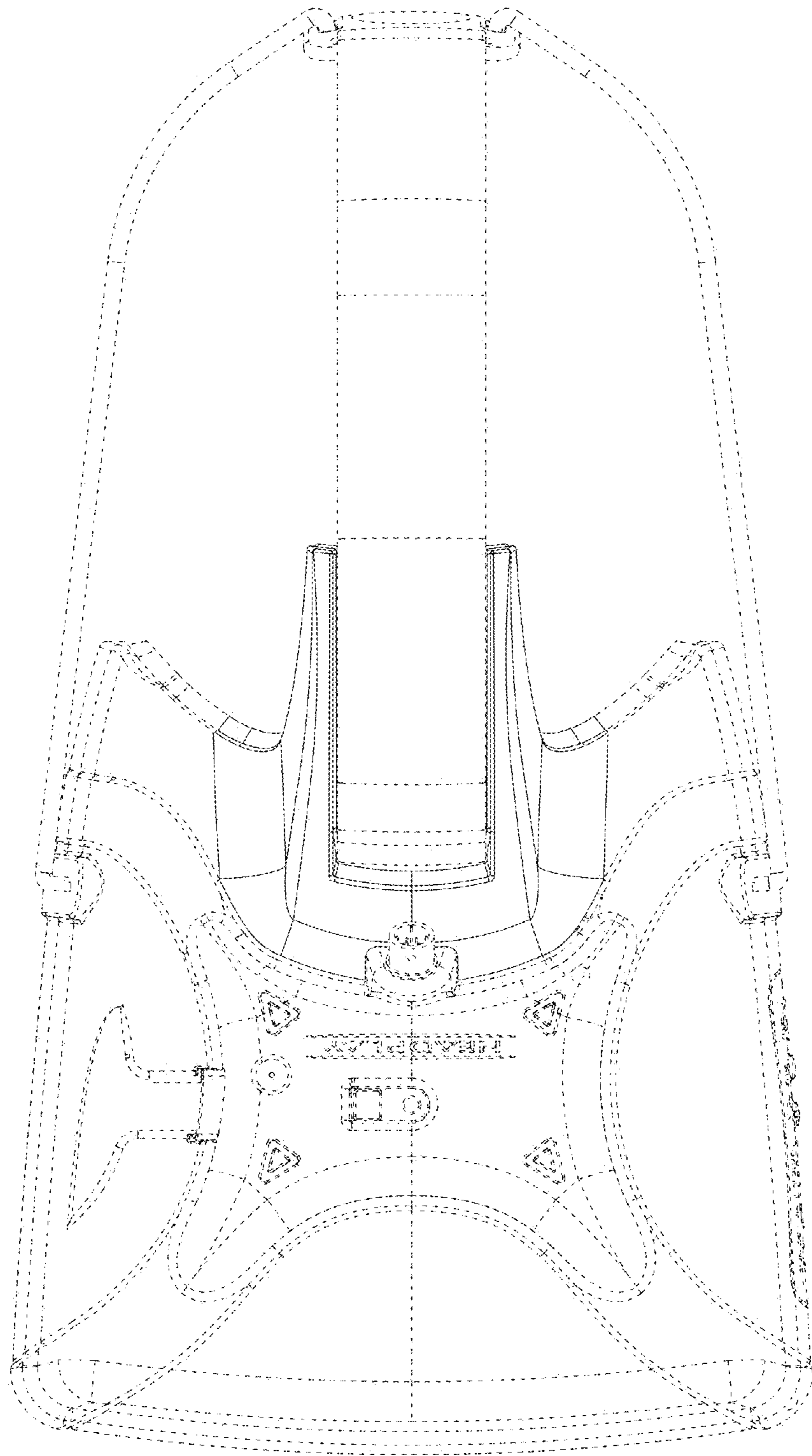
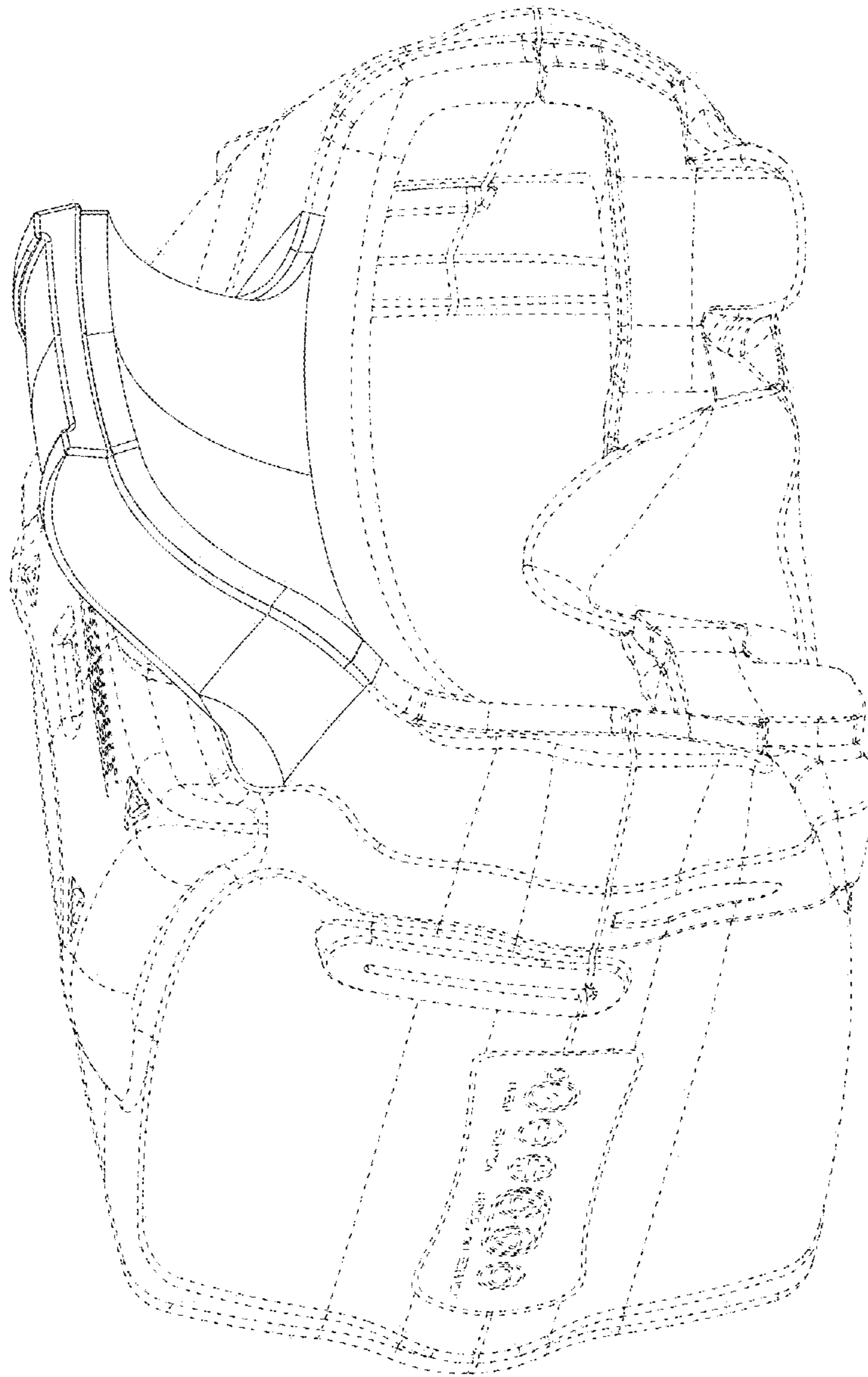


Fig. 9



*Fig. 10*

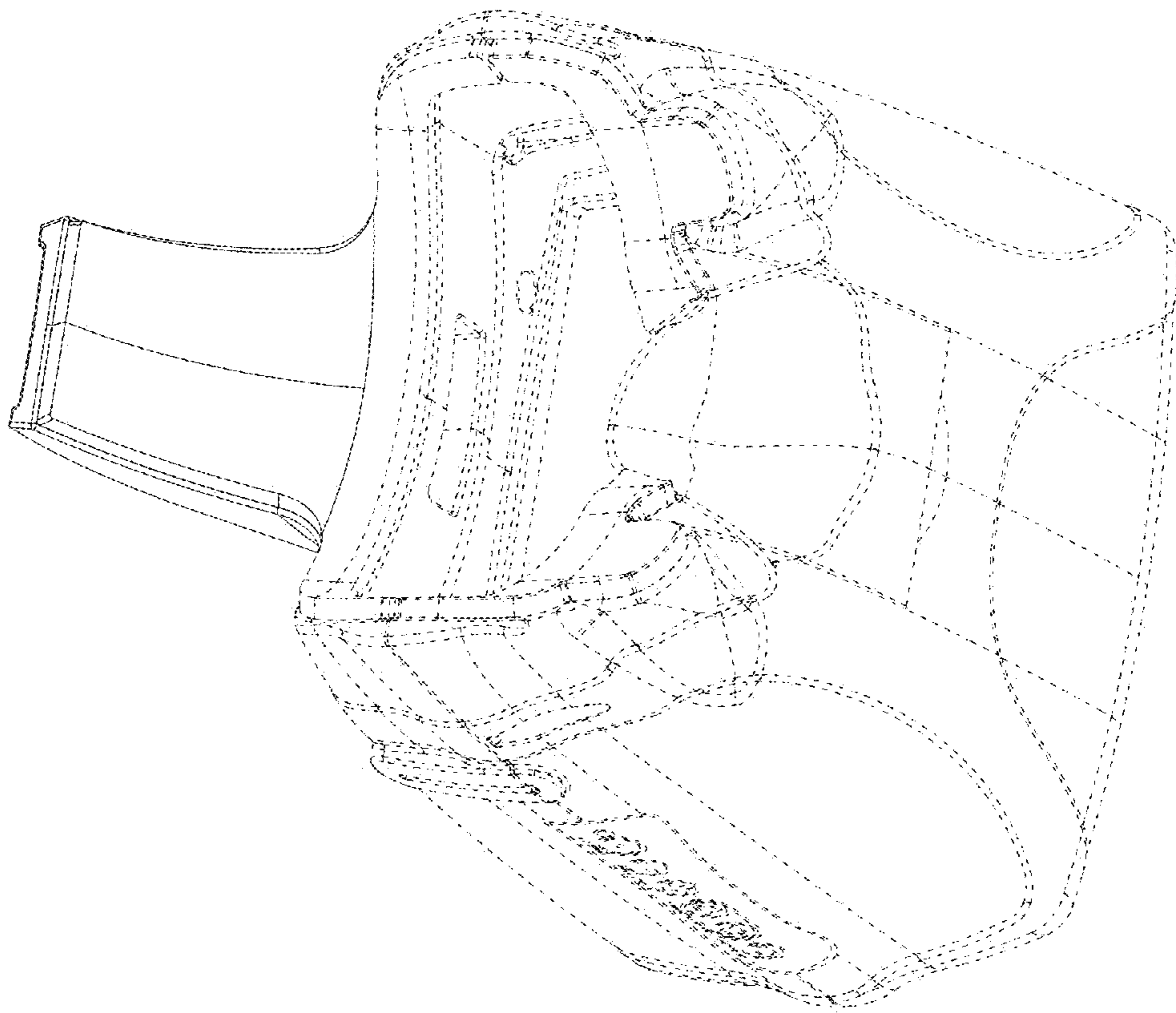


Fig. 11