



US00D751539S

(12) **United States Design Patent**
Ahn et al.

(10) **Patent No.:** **US D751,539 S**
(45) **Date of Patent:** **** Mar. 15, 2016**

- (54) **CASE FOR MOBILE PHONES**
- (71) Applicant: **LG ELECTRONICS INC.**, Seoul (KR)
- (72) Inventors: **Yoo Shin Ahn**, Seoul (KR); **Young Ho Kim**, Seoul (KR); **Hyung Gon Ryu**, Seoul (KR)
- (73) Assignee: **LG ELECTRONICS INC.**, Seoul (KR)
- (**) Term: **14 Years**
- (21) Appl. No.: **29/465,944**
- (22) Filed: **Sep. 3, 2013**
- (30) **Foreign Application Priority Data**

Apr. 22, 2013 (KR) 30-2013-0021092

- (51) **LOC (10) Cl.** **14-03**
- (52) **U.S. Cl.**
USPC **D14/250**

- (58) **Field of Classification Search**
USPC D14/238.1, 250, 440, 203.3–203.7, 217, D14/240, 248, 251–253, 447, 496, 144, 149, D14/159, 172, 194, 204, 221, 224.1; D3/201, 218, 247, 269, 273, 301, 303; D13/103, 107–108, 119
CPC A45C 1/06; A45C 11/00; A45C 13/02; A45C 2011/002; A45F 5/02; A45F 2005/026; A45F 2200/0525; A45F 2200/0516; H04B 1/3888; H04M 1/0283; H04M 1/0202
See application file for complete search history.

(56) **References Cited**

U.S. PATENT DOCUMENTS

- D641,348 S * 7/2011 Kim et al. D14/250
- D652,829 S * 1/2012 Kim et al. D14/250
- D657,354 S * 4/2012 Kim D14/250
- D674,799 S * 1/2013 Kim D14/440

- D674,800 S * 1/2013 Kim D14/440
- D678,260 S * 3/2013 Bau D14/250
- D685,799 S * 7/2013 Canizares et al. D14/440
- D685,800 S * 7/2013 Canizares et al. D14/440
- D685,801 S * 7/2013 Canizares et al. D14/440
- D685,802 S * 7/2013 Canizares et al. D14/440
- D708,172 S * 7/2014 Ryu et al. D14/250
- D714,280 S * 9/2014 Ahn et al. D14/250
- D716,286 S * 10/2014 Ahn et al. D14/250
- D721,693 S * 1/2015 Lee et al. D14/250
- D721,694 S * 1/2015 Lee et al. D14/250
- D723,020 S * 2/2015 Kim et al. D14/250
- D728,552 S * 5/2015 Kim et al. D14/250
- D728,553 S * 5/2015 Kim et al. D14/250
- 2003/0150756 A1 * 8/2003 Kajiya 206/320
- 2008/0096620 A1 * 4/2008 Lee et al. 455/575.8
- 2012/0125809 A1 * 5/2012 Leung 206/736
- 2012/0244920 A1 * 9/2012 Lee 455/575.8
- 2013/0015088 A1 * 1/2013 Wu 206/320

* cited by examiner

Primary Examiner — Carla Jobe Wright

(74) *Attorney, Agent, or Firm* — Birch, Stewart, Kolasch & Birch, LLP

(57) **CLAIM**

We claim the ornamental design for a case for mobile phones, as shown and described.

DESCRIPTION

FIG. 1 is a perspective view of a case for mobile phones showing the new design:

FIG. 2 is a front elevation view thereof;

FIG. 3 is a rear elevation view thereof;

FIG. 4 is a left-side elevation view thereof;

FIG. 5 is a right-side elevation view thereof;

FIG. 6 is a top plan view thereof; and,

FIG. 7 is a bottom plan view thereof.

The dot-dash broken line is a boundary of the claimed design.

The dash-dash broken lines depict unclaimed environment.

The broken lines form no part of the claimed design.

1 Claim, 5 Drawing Sheets

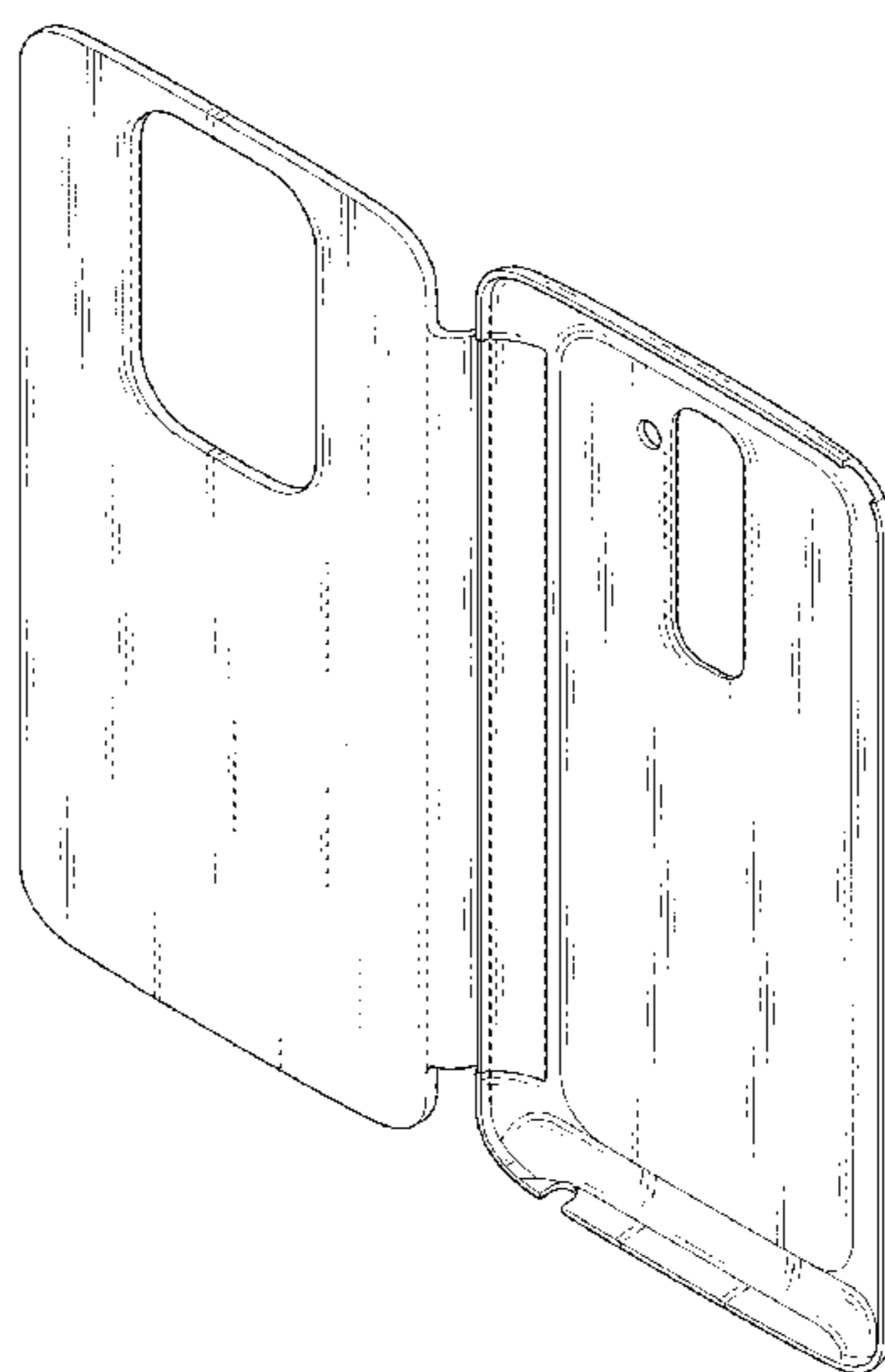


FIG. 1

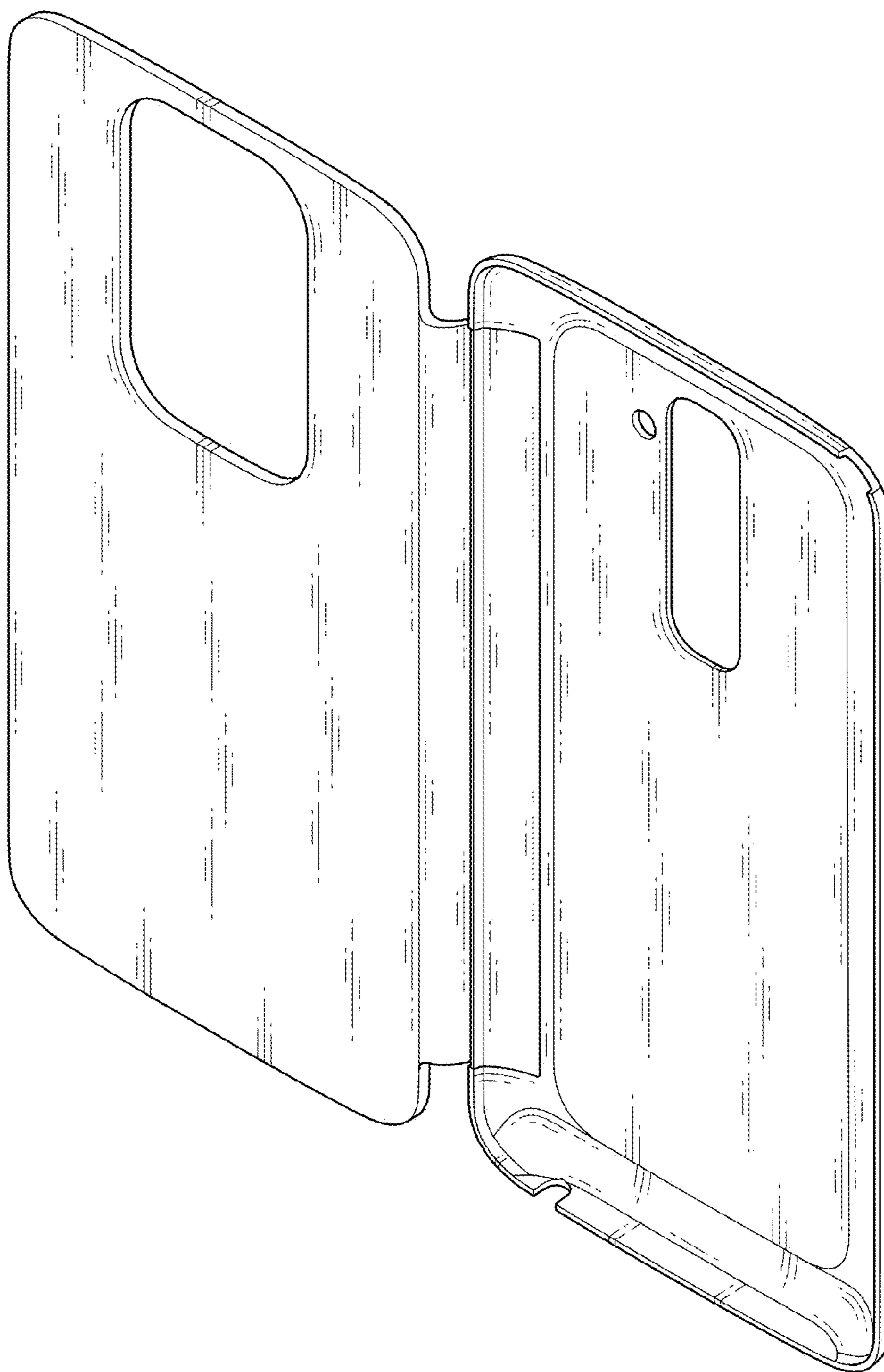


FIG. 2

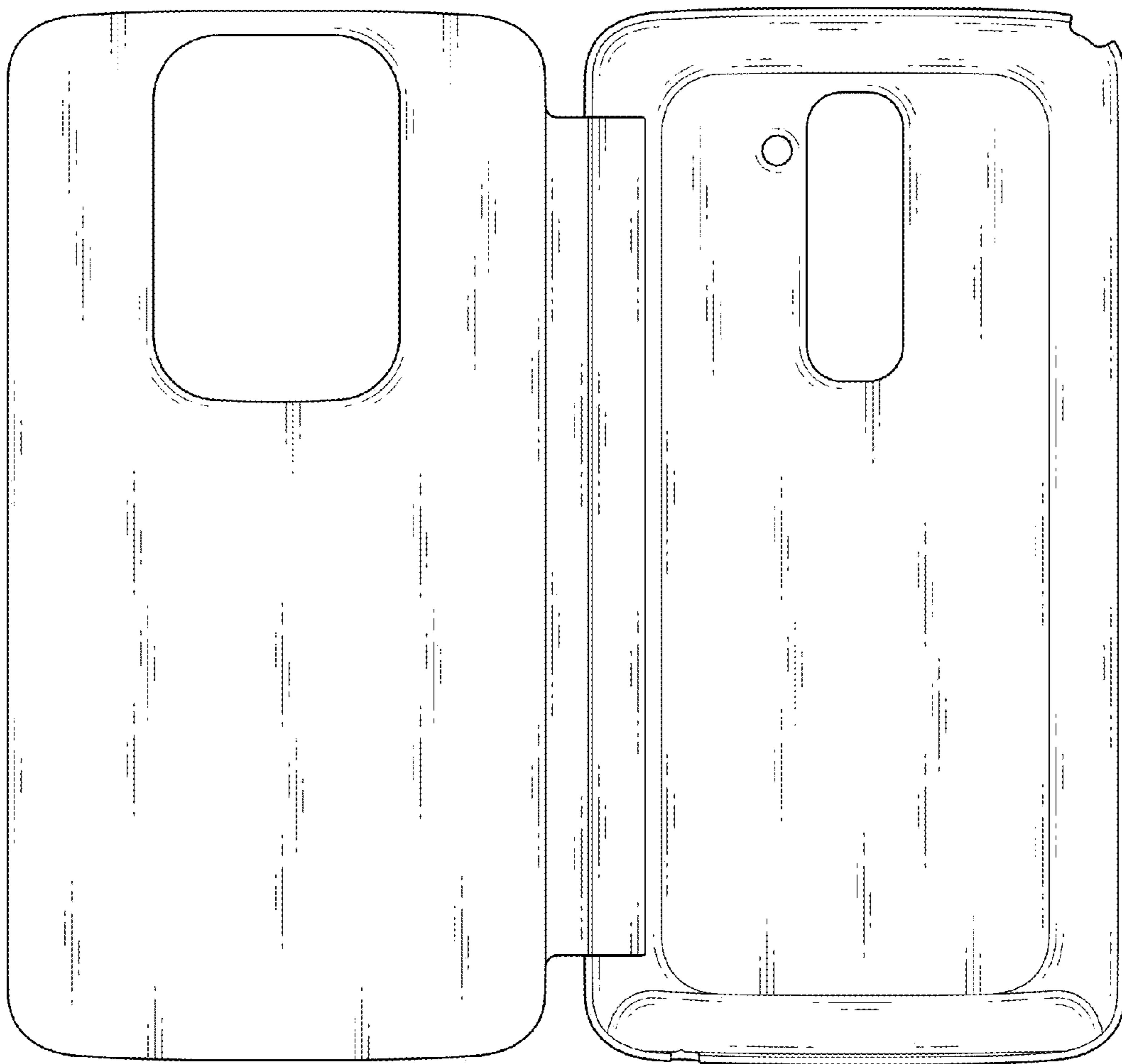


FIG. 3

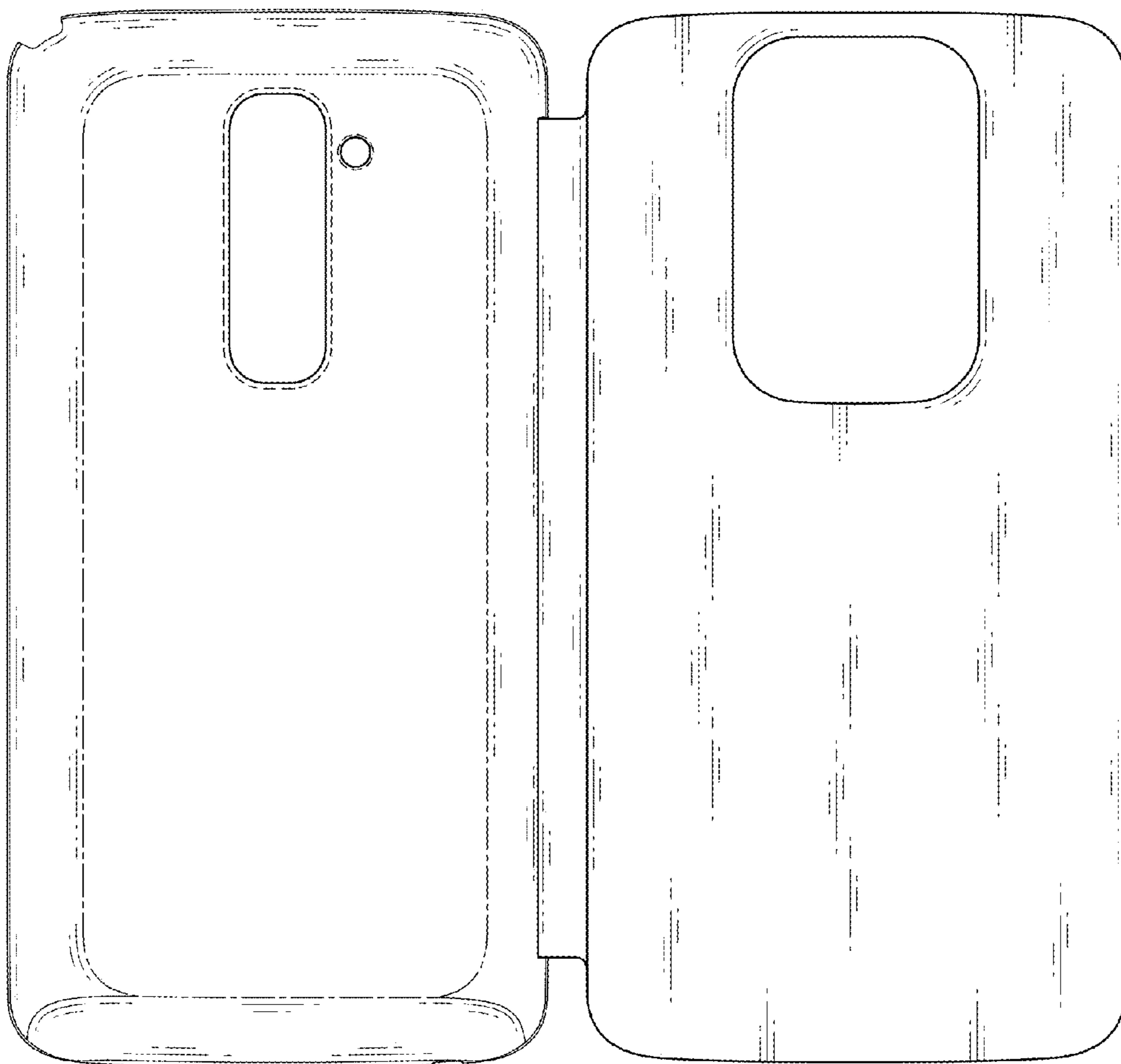


FIG. 4

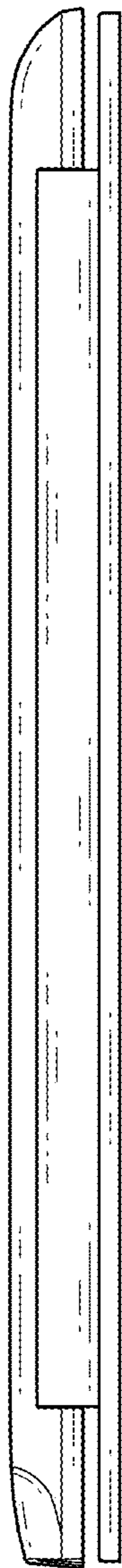


FIG. 5

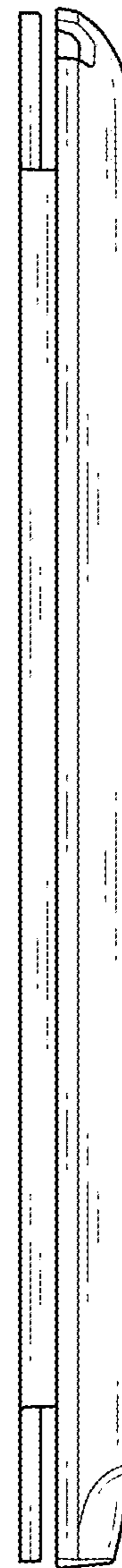


FIG. 6



FIG. 7

