



US00D751537S

(12) **United States Design Patent**
Rhodes et al.

(10) **Patent No.:** **US D751,537 S**
(45) **Date of Patent:** **** Mar. 15, 2016**

(54) **ROUTER**

(71) Applicant: **Verizon Patent and Licensing Inc.**,
Basking Ridge, NJ (US)
(72) Inventors: **Vaughn D. Rhodes**, Ladera Ranch, CA
(US); **Lars Riisboell**, Kokkedal (DK);
Gregory B. Memo, Coto De Caza, CA
(US); **Elliot Ortiz**, San Francisco, CA
(US); **Christopher L. Whittall**, Los
Gatos, CA (US); **Dan Harden**, Palo
Alto, CA (US)

(73) Assignee: **Verizon Patent and Licensing Inc.**,
Basking Ridge, NJ (US)

(**) Term: **14 Years**

(21) Appl. No.: **29/483,326**

(22) Filed: **Feb. 27, 2014**

(51) **LOC (10) Cl.** **14-03**

(52) **U.S. Cl.**
USPC **D14/240**

(58) **Field of Classification Search**
USPC D14/135, 137, 139, 140–140.9, 155,
D14/167, 240, 242, 243, 348, 349, 351, 354,
D14/355, 356, 357, 358, 385, 433, 435,
D14/435.1, 436, 474, 480, 496; D13/103,
D13/108, 110, 147; D10/75
CPC H04L 12/00; H03K 17/00; H04W 88/00;
H04W 88/005; H04W 88/02; H04W 88/08;
H04W 88/085; H04W 88/10; H04W 88/12;
H04W 88/14; H04B 1/38

See application file for complete search history.

(56) **References Cited**

U.S. PATENT DOCUMENTS

D490,072 S * 5/2004 Chan D14/240
D516,074 S * 2/2006 Ho et al. D14/433
D570,845 S * 6/2008 Liu et al. D14/433
D570,846 S * 6/2008 Liu et al. D14/433

OTHER PUBLICATIONS

Verizon's New Wireless Router Comes Smart Home-Ready with
Built-in Z-Wave Compatibility, Posted Nov. 3, 2014, by Drew
Prindle, [online], [site visited Apr. 2, 2015]. Available from Internet,
<URL: <http://www.digitaltrends.com/home/verizon-fios-quantum-gateway-zwave-iot/>>.*

* cited by examiner

Primary Examiner — Rosemary K Tarcza

Assistant Examiner — Sanjeev Paul

(57) **CLAIM**

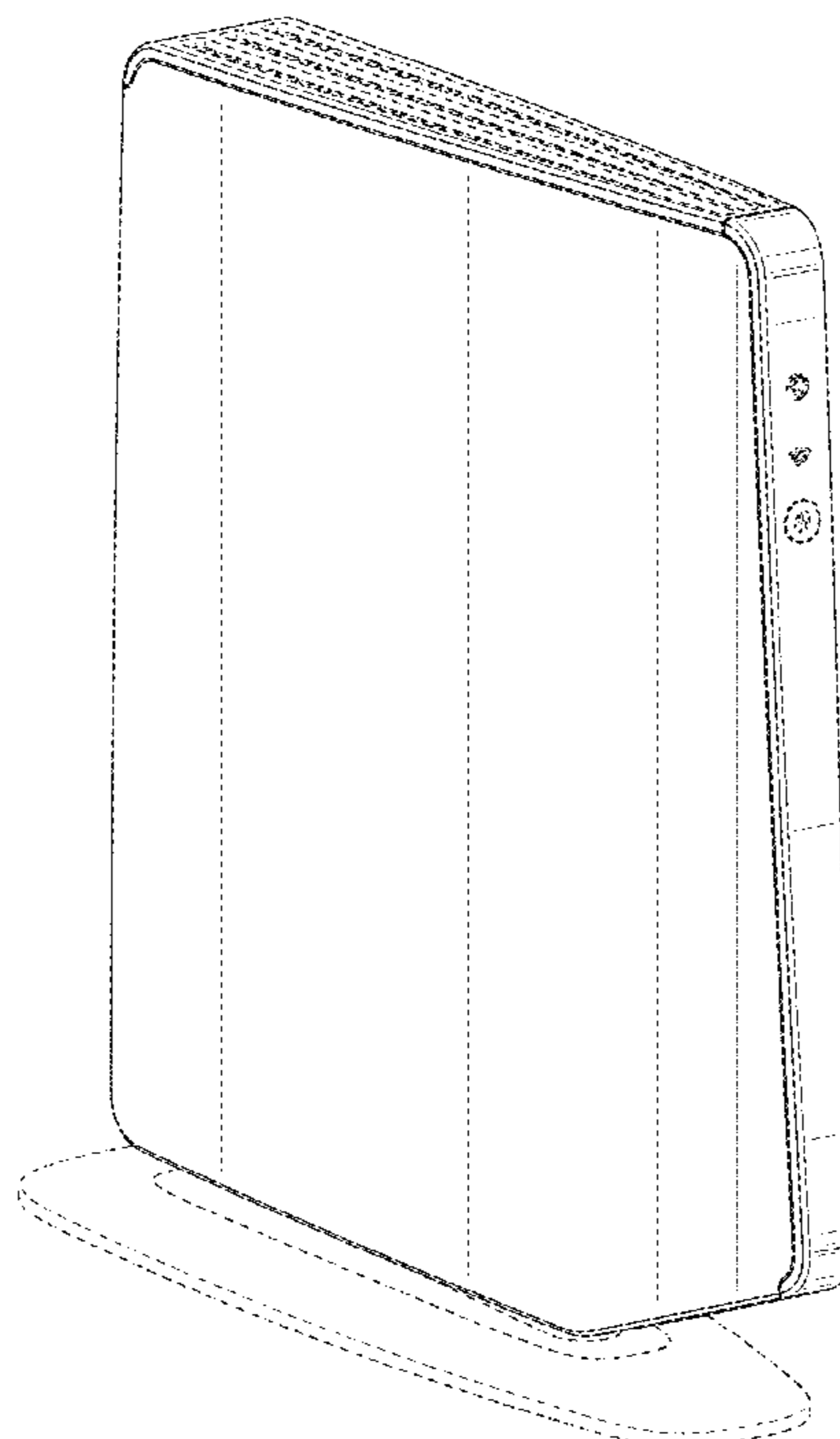
The ornamental design for a router, as shown and described.

DESCRIPTION

FIG. 1 is a left side view of a router, showing our new design;
FIG. 2 is a right side view thereof;
FIG. 3 is a perspective view thereof;
FIG. 4 is a front view thereof;
FIG. 5 is a back view thereof;
FIG. 6 is a top view thereof; and,
FIG. 7 is a bottom view thereof.

The broken lines shown in the drawings are included for the
purpose of illustrating portions of the router and form no part
of the claimed design.

1 Claim, 7 Drawing Sheets



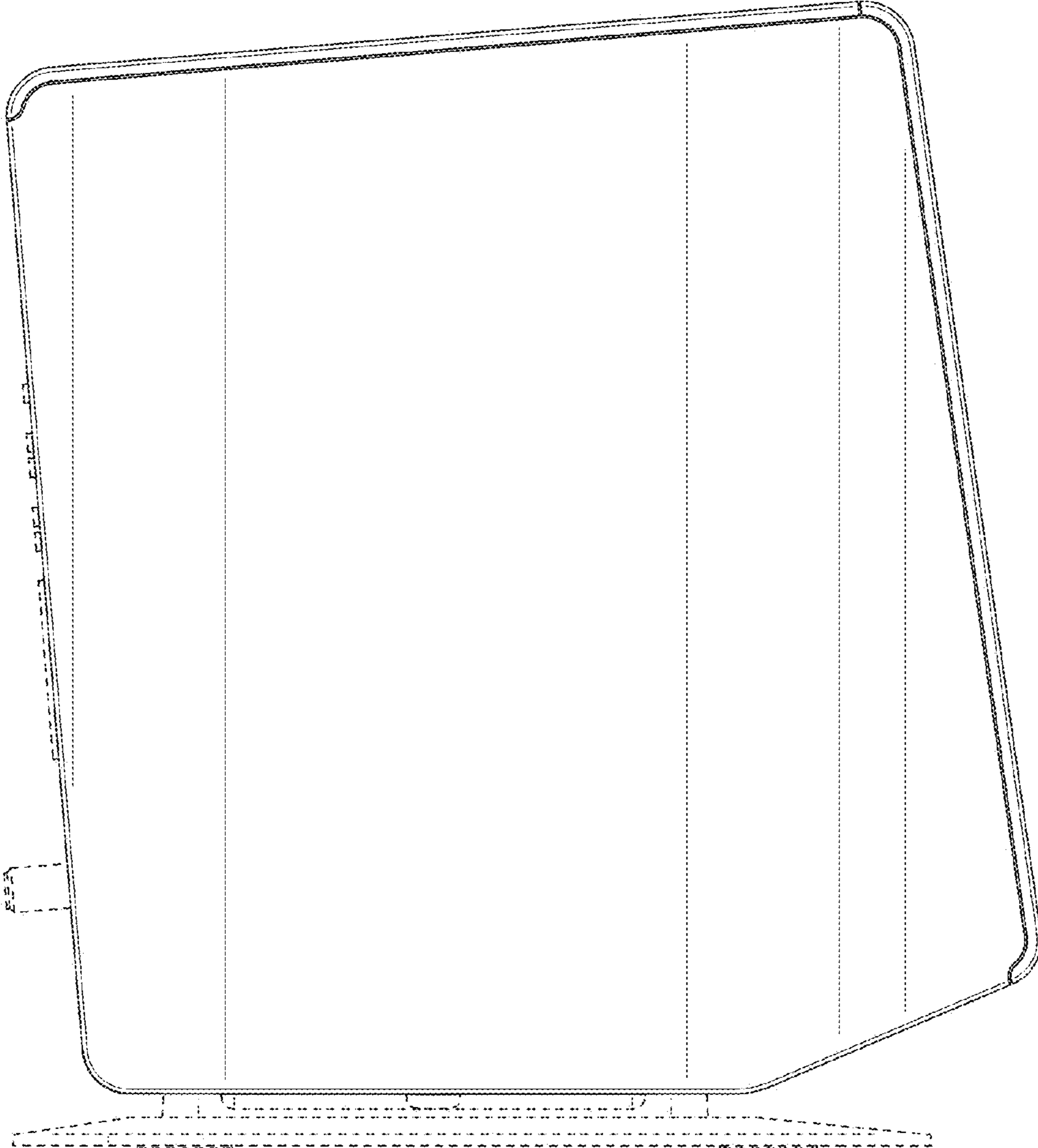


FIG. 1

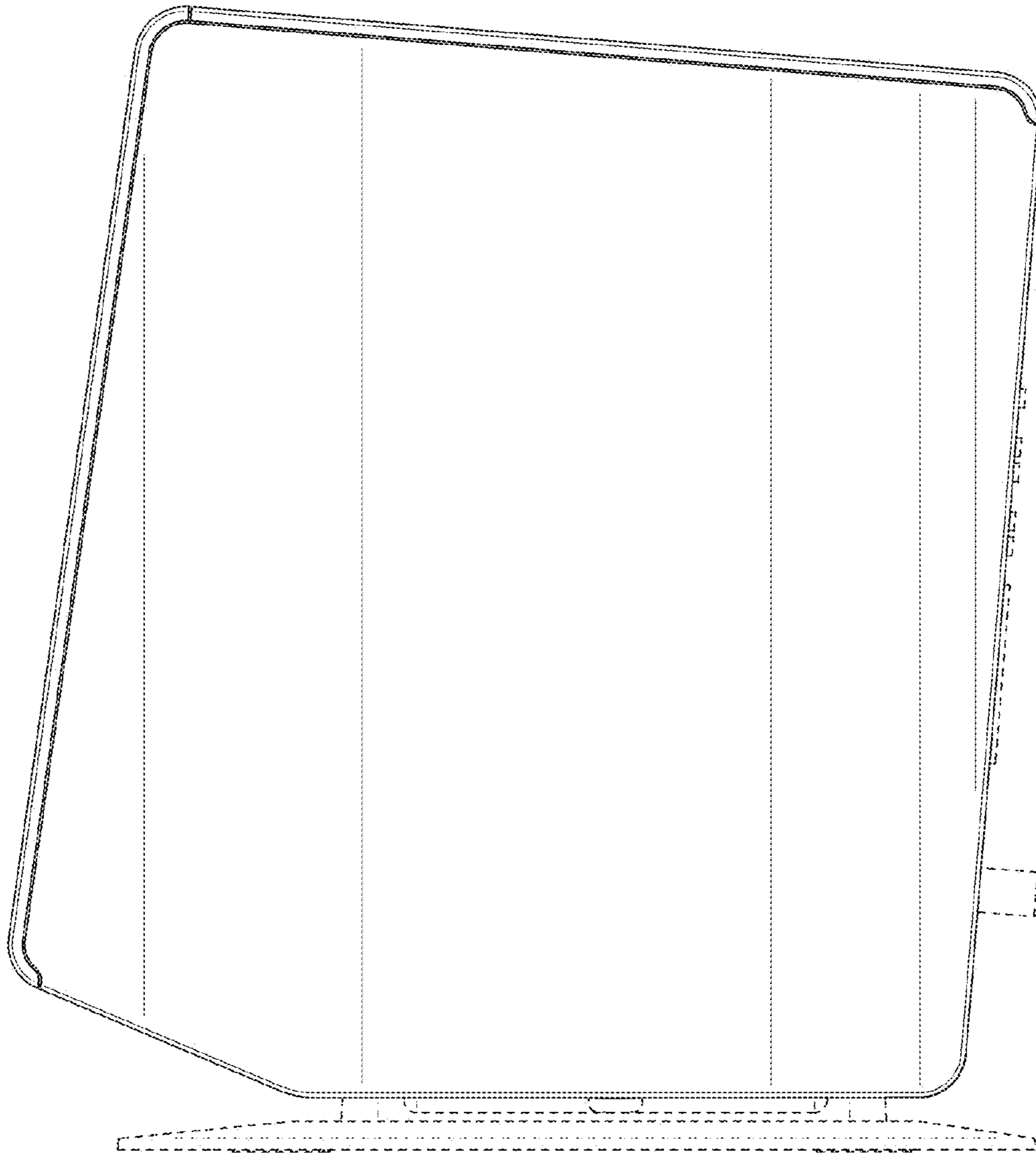


FIG. 2

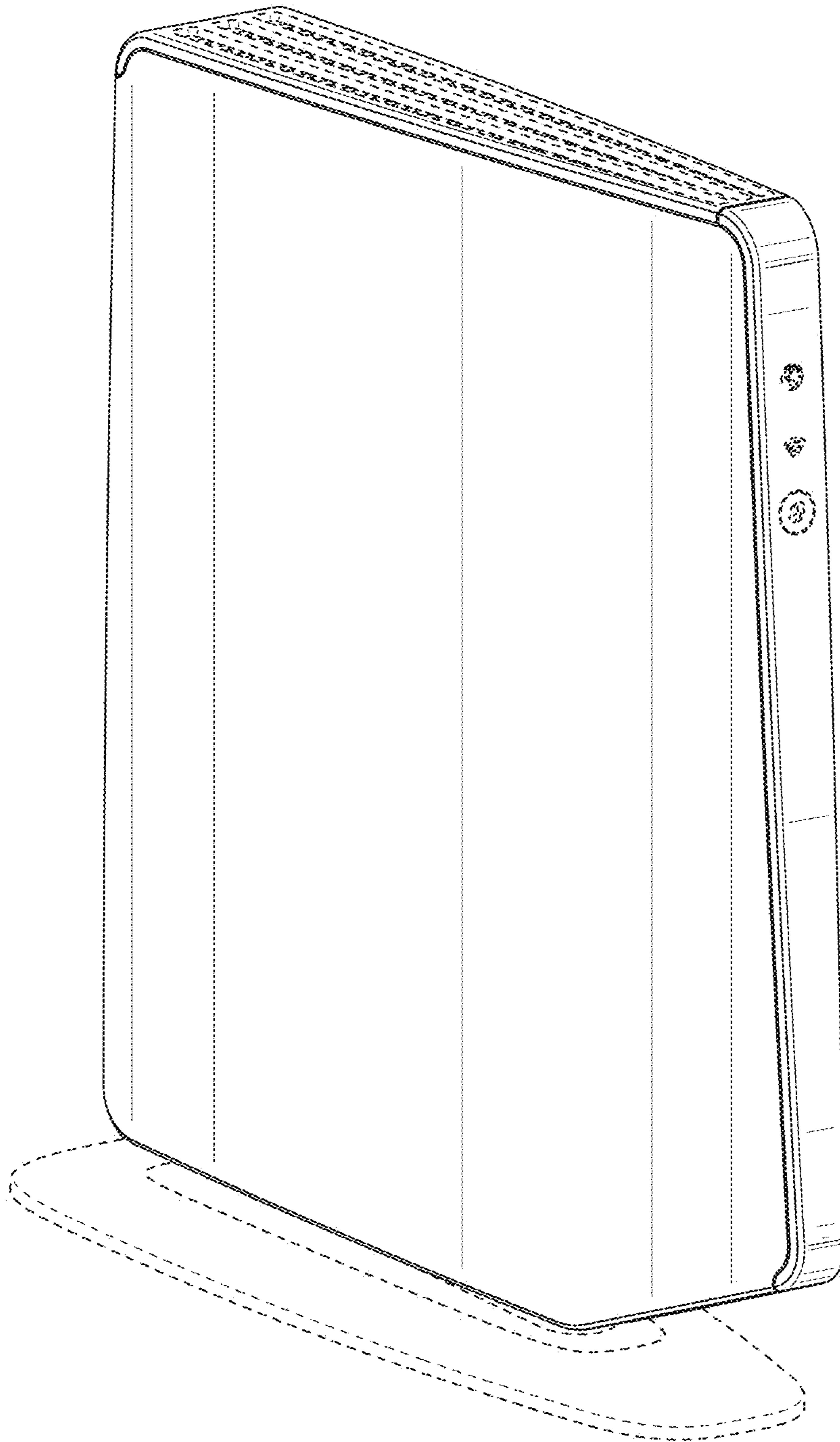


FIG. 3

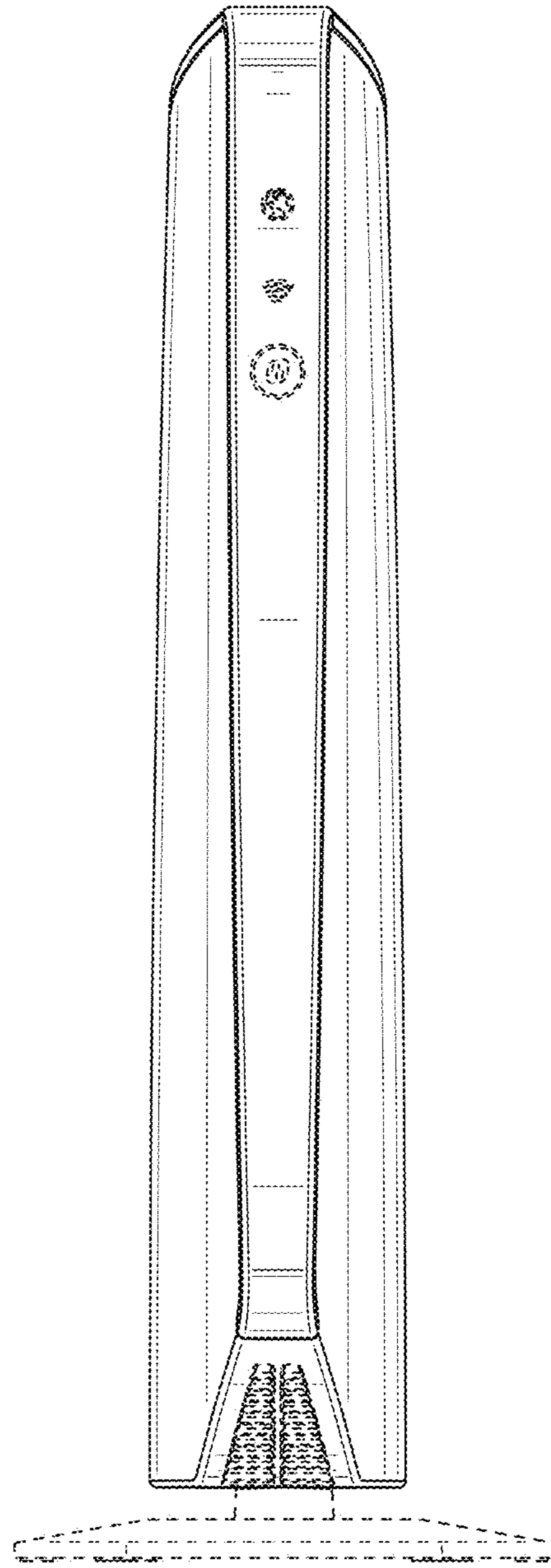


FIG. 4

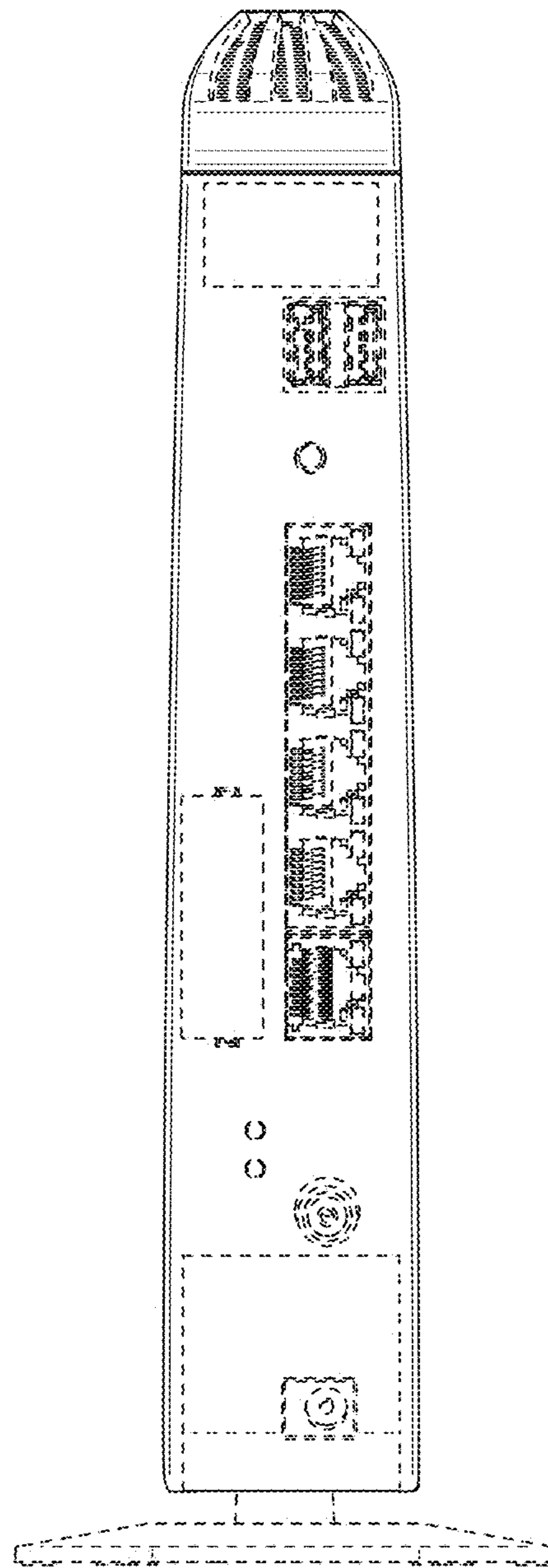


FIG. 5

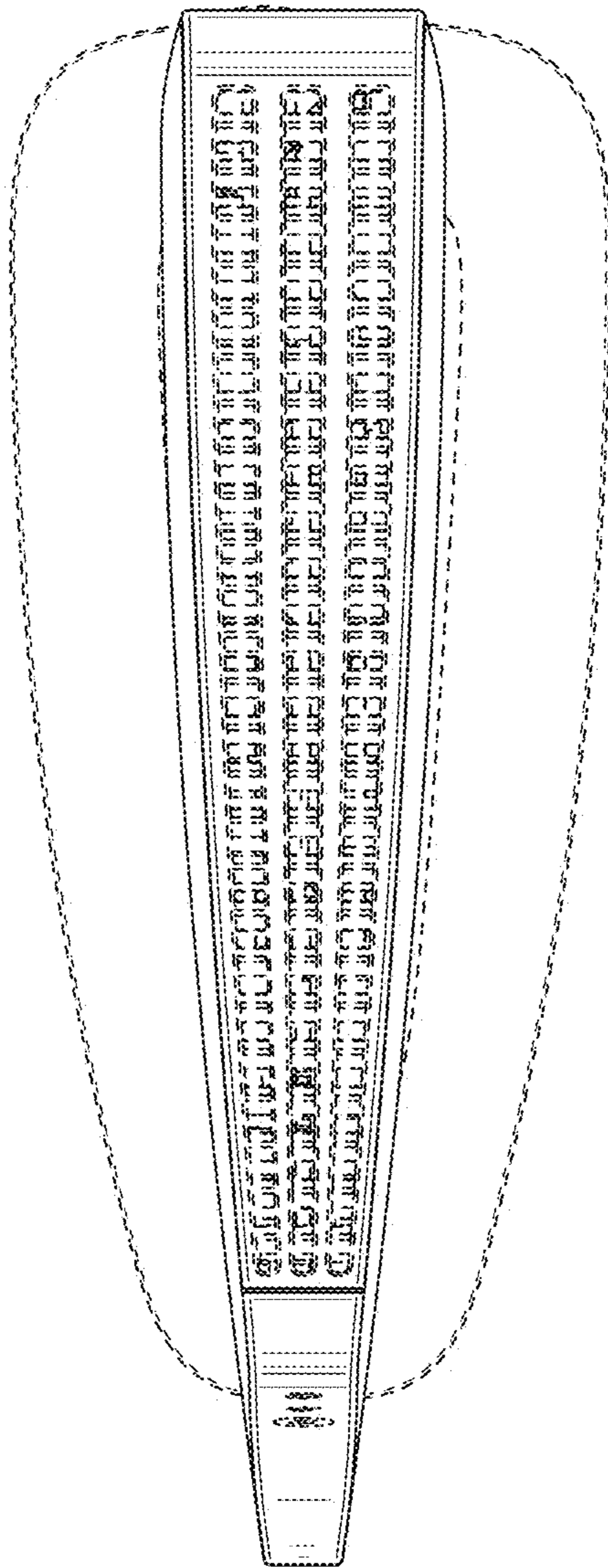


FIG. 6

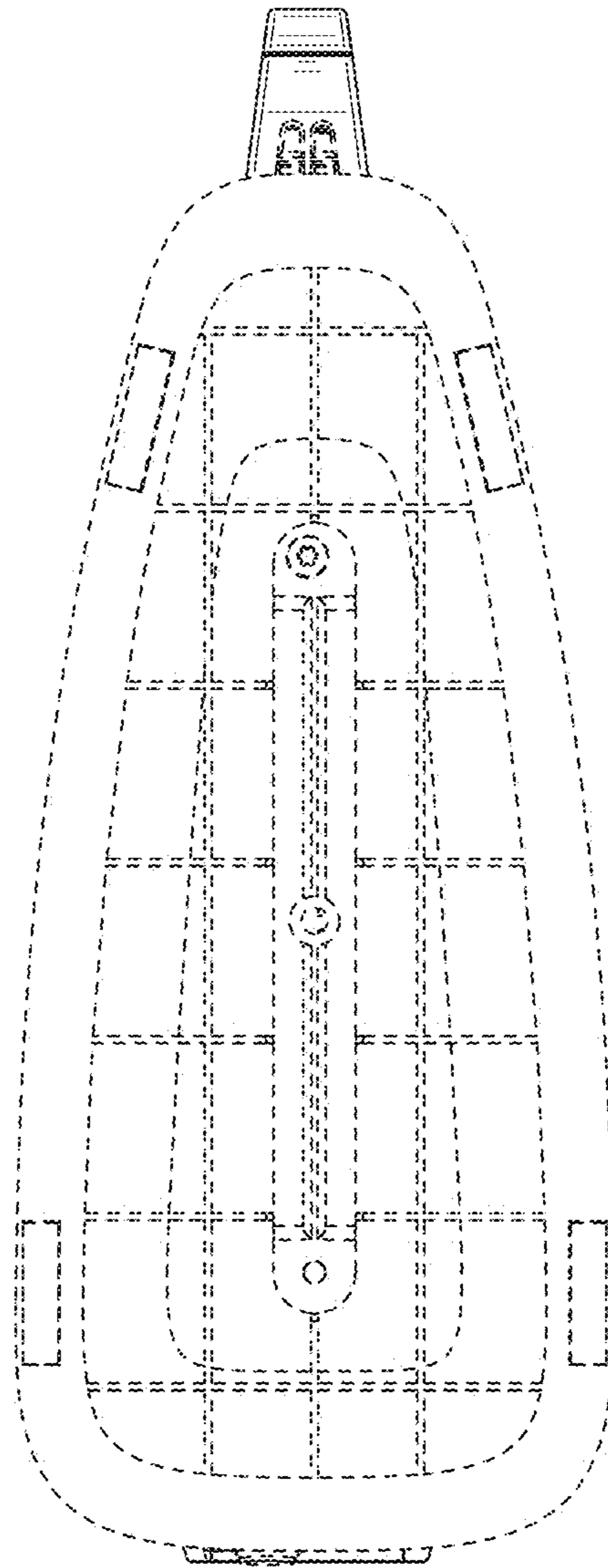


FIG. 7