



US00D751536S

(12) **United States Design Patent**
Hochman et al.

(10) **Patent No.:** **US D751,536 S**
(45) **Date of Patent:** **** *Mar. 15, 2016**

(54) **MODULAR VIDEO SUPPORT FRAME MEMBER**

(71) Applicant: **Revolution Display, LLC**, Glendale, CA (US)

(72) Inventors: **Jeremy Hochman**, Los Angeles, CA (US); **Henry J. Ambrose**, Mission Viejo, CA (US)

(73) Assignee: **Revolution Display, LLC**, Glendale, CA (US)

(*) Notice: This patent is subject to a terminal disclaimer.

(**) Term: **15 Years**

(21) Appl. No.: **29/544,879**

(22) Filed: **Nov. 6, 2015**

Related U.S. Application Data

(63) Continuation of application No. 29/527,792, filed on May 21, 2015, which is a continuation of application No. 29/481,243, filed on Feb. 3, 2014, now Pat. No. Des. 736,750.

(51) **LOC (10) Cl.** **14-03**

(52) **U.S. Cl.**
USPC **D14/239**

(58) **Field of Classification Search**

USPC D14/125-134, 239, 371, 136, 374-377, D14/440, 450, 448, 336, 342; 312/7.2; 348/836, 838, 180, 184, 325, 739; 341/12; 248/917-924, 465, 309.2; 345/104, 133, 156, 168, 87, 173; 720/605, 669, 600, 655; 369/99, 197; 455/344, 347; D21/329, 515, 577, 622, D21/333, 433, 448, 452, 450, 331; D6/477, D6/479, 300; 273/148 B; 446/484, 175, 446/356; D10/15, 26; 361/801, 802, 754, 361/728; 257/88

CPC H04N 1/00

See application file for complete search history.

(56) **References Cited**

U.S. PATENT DOCUMENTS

212,335 A 2/1879 Schwartz
D289,115 S 4/1987 Spicer

(Continued)

FOREIGN PATENT DOCUMENTS

CN 201182417 Y 1/2009
JP S60162124 A 8/1985

OTHER PUBLICATIONS

http://www.kinoflo.com/Products%20Button/LED/Celeb%20400%20DMX/Celeb400_DMX.html (Last viewed Oct. 30, 2015).

(Continued)

Primary Examiner — Randall Gholson

(74) *Attorney, Agent, or Firm* — Downs Rachlin Martin PLLC

(57) **CLAIM**

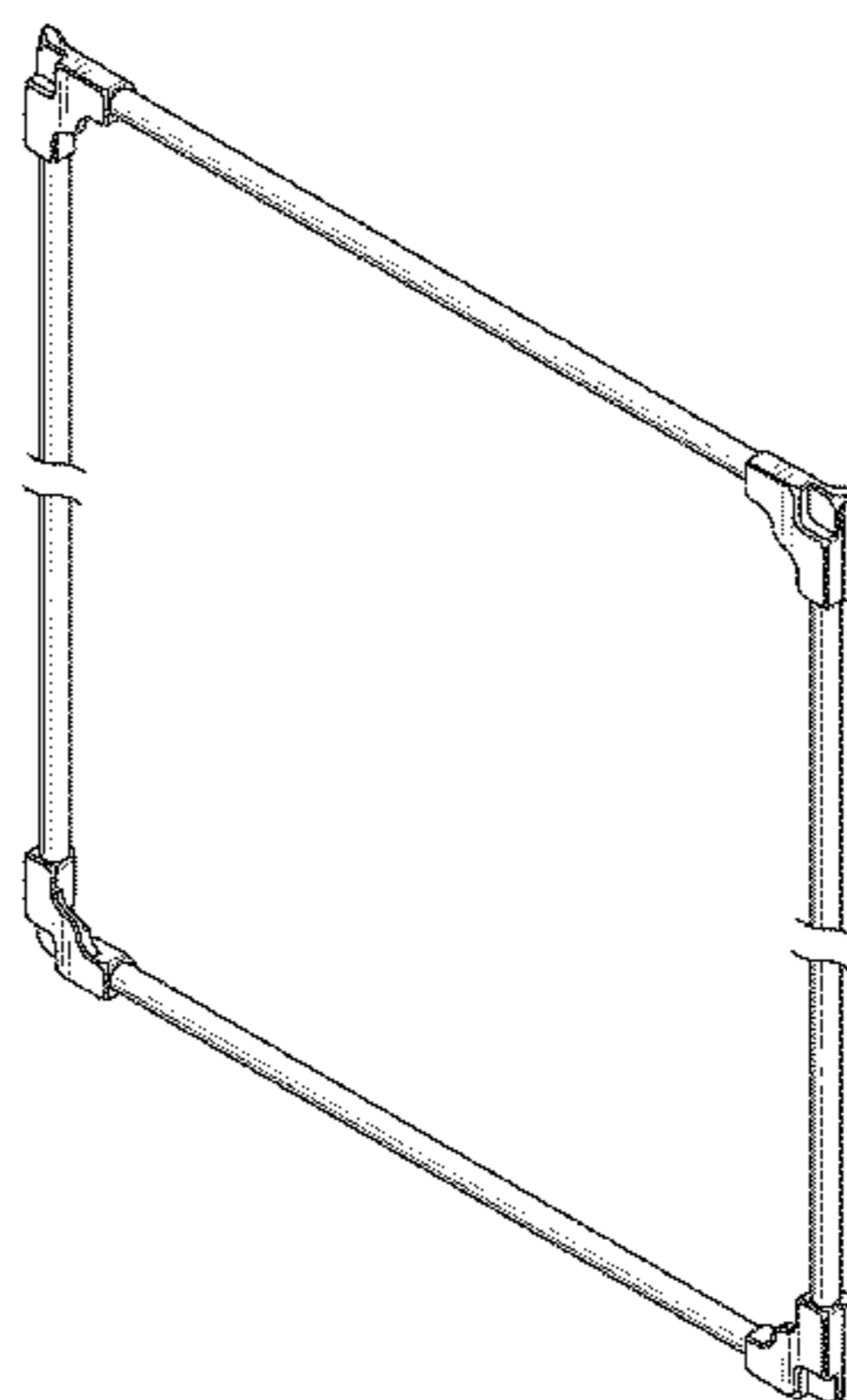
The ornamental design for a modular video support frame member, as shown and described.

DESCRIPTION

FIG. 1 is a front perspective view of a modular video support frame member showing our new design; FIG. 2 is a front view thereof; FIG. 3 is a top view thereof, the bottom view is a mirror image of the top view; FIG. 4 is a right-side view thereof, the left-side view is a mirror image of the right-side view; FIG. 5 is a rear view thereof; FIG. 6 is an enlarged view of a portion of FIG. 2; and, FIG. 7 is an enlarged view of a portion of FIG. 1.

The broken lines in the Figures are for the purpose of illustrating unclaimed portions of the modular video support frame member and form no part of the claimed design. The shade lines in the Figures show contour and not surface ornamentation. The modular video support frame member is shown with a symbolic break in its length. The appearance of any portion of the modular video support frame member between the break lines forms no part of the claimed design.

1 Claim, 7 Drawing Sheets



(56)

References Cited

OTHER PUBLICATIONS

U.S. PATENT DOCUMENTS

5,626,406	A	5/1997	Schmid	
5,799,429	A	9/1998	Speshyock	
6,065,854	A	5/2000	West et al.	
6,647,652	B1 *	11/2003	Seiber et al.	40/606.1
7,581,343	B1	9/2009	Baxter	
7,604,481	B2 *	10/2009	Owen et al.	434/408
D637,025	S *	5/2011	Colin	D6/705
D670,936	S	11/2012	Davis	
D672,168	S	12/2012	Davis	
D685,307	S	7/2013	Chung	
8,596,599	B1 *	12/2013	Carson et al.	248/429
D702,670	S	4/2014	Davis	
8,693,093	B2	4/2014	Kepley, Jr.	
9,069,519	B1 *	6/2015	Hall	
D736,750	S	8/2015	Hochman et al.	
2007/0000849	A1	1/2007	Lutz et al.	
2010/0109351	A1	5/2010	Woody et al.	
2010/0243843	A1	9/2010	Tait et al.	

http://www.kinoflo.com/Products%20Button/LED/Celeb%20400Q%20DMX/Celeb_400Q_DMX.html (Last viewed on Oct. 30, 2015).

<http://chromeglow.com/custom-dynamics/> (Last viewed on Oct. 30, 2015).

<http://www.slickcustoms.com/custom-dynamics-chrome-led-license-plate-frames.html> (Last viewed Oct. 30, 2015).

<http://www.thinkstockphotos.in/image/stock-illustration-gothic-style-black-ornamental/512801789> (Last viewed on Oct. 30, 2015).

www.aliexpress.com/store/product/6Meter-2590F2-LED-Display-Panel-Aluminium-Frame-4Pcs-2590F2-Straight-Corner/124897_32279028240.html+%&cd=1&hl=en&ct=clnk&gl=in (Last viewed Oct. 30, 2015).

<http://www.shutterstock.com/pic-158505119/stock-vector-collection-of-old-photo-corners-frames-and-edges-in-vector-isolated-on-white.html> (Last viewed Oct. 30, 2015).

<http://www.dreamstime.com/stock-photo-old-paper-sheets-book-vintage-photo-frames-corners-antiqu-antique-clipboard-isolated-white-background-image54805302> (Last viewed Nov. 2, 2015).

* cited by examiner

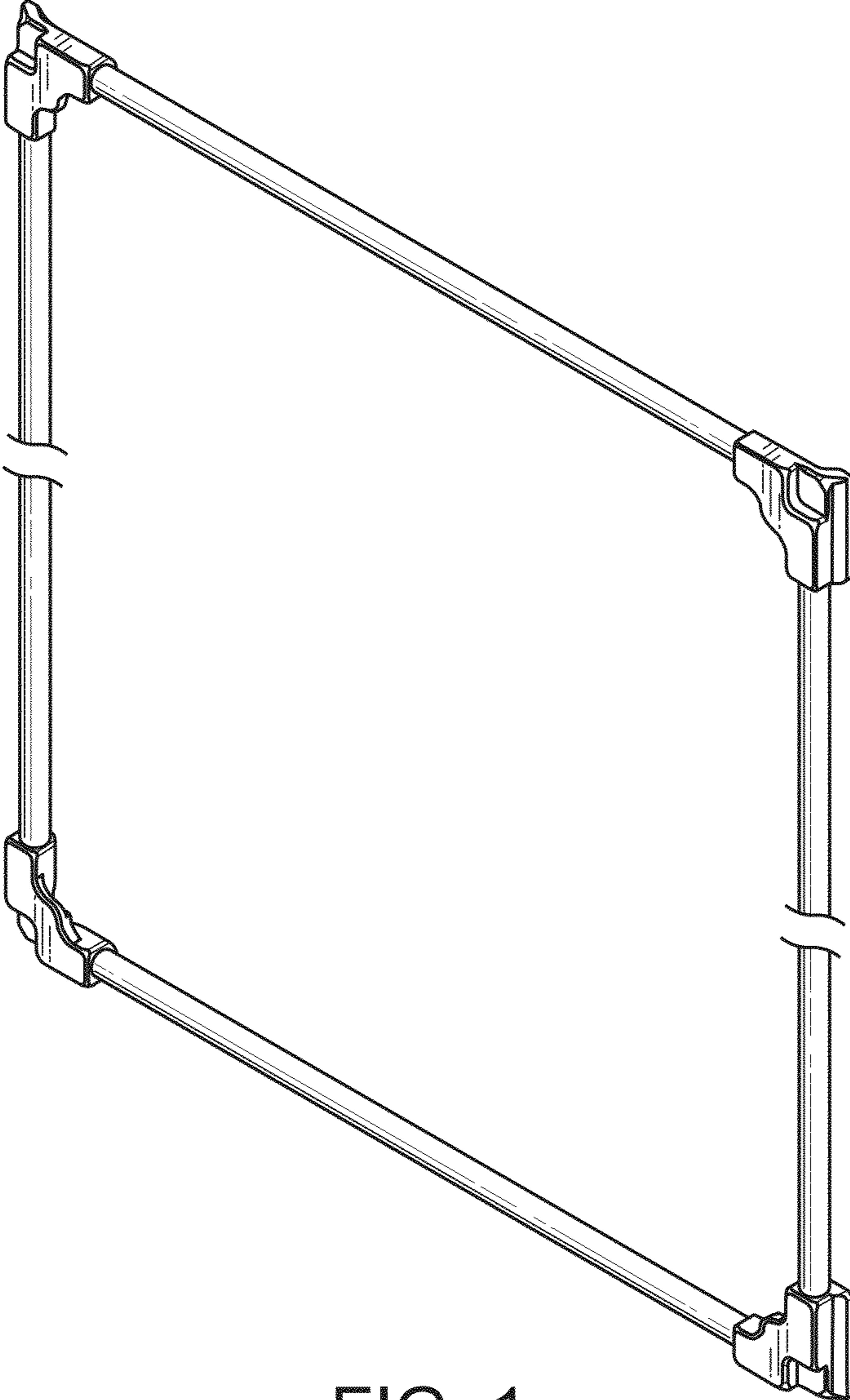


FIG. 1

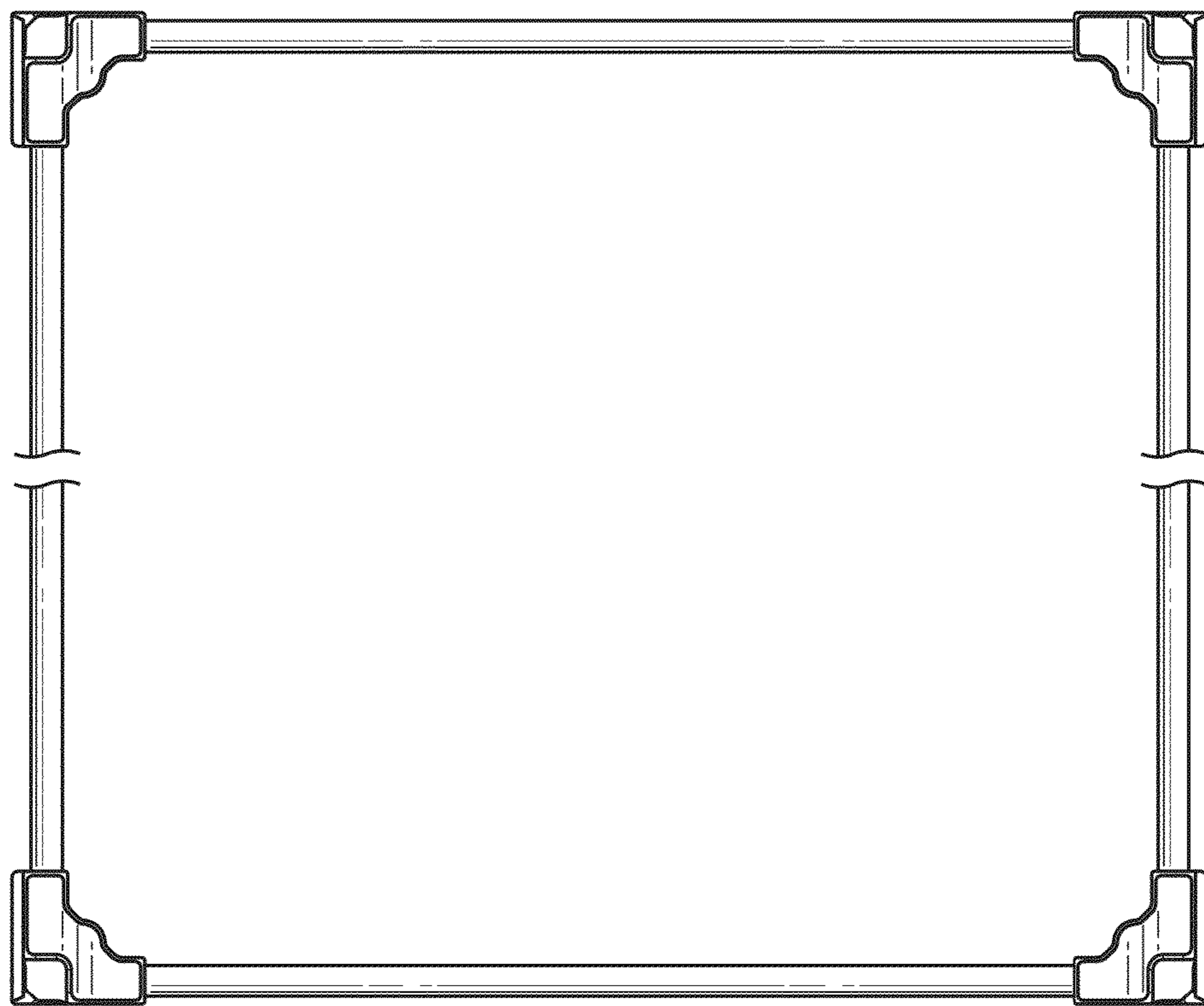


FIG. 2



FIG. 3

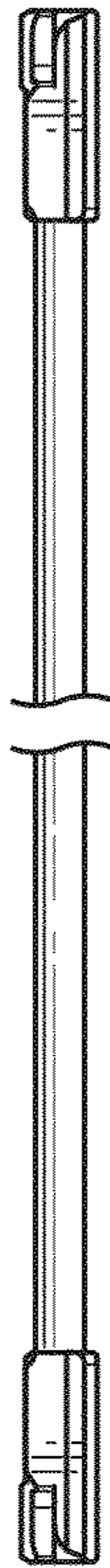


FIG. 4

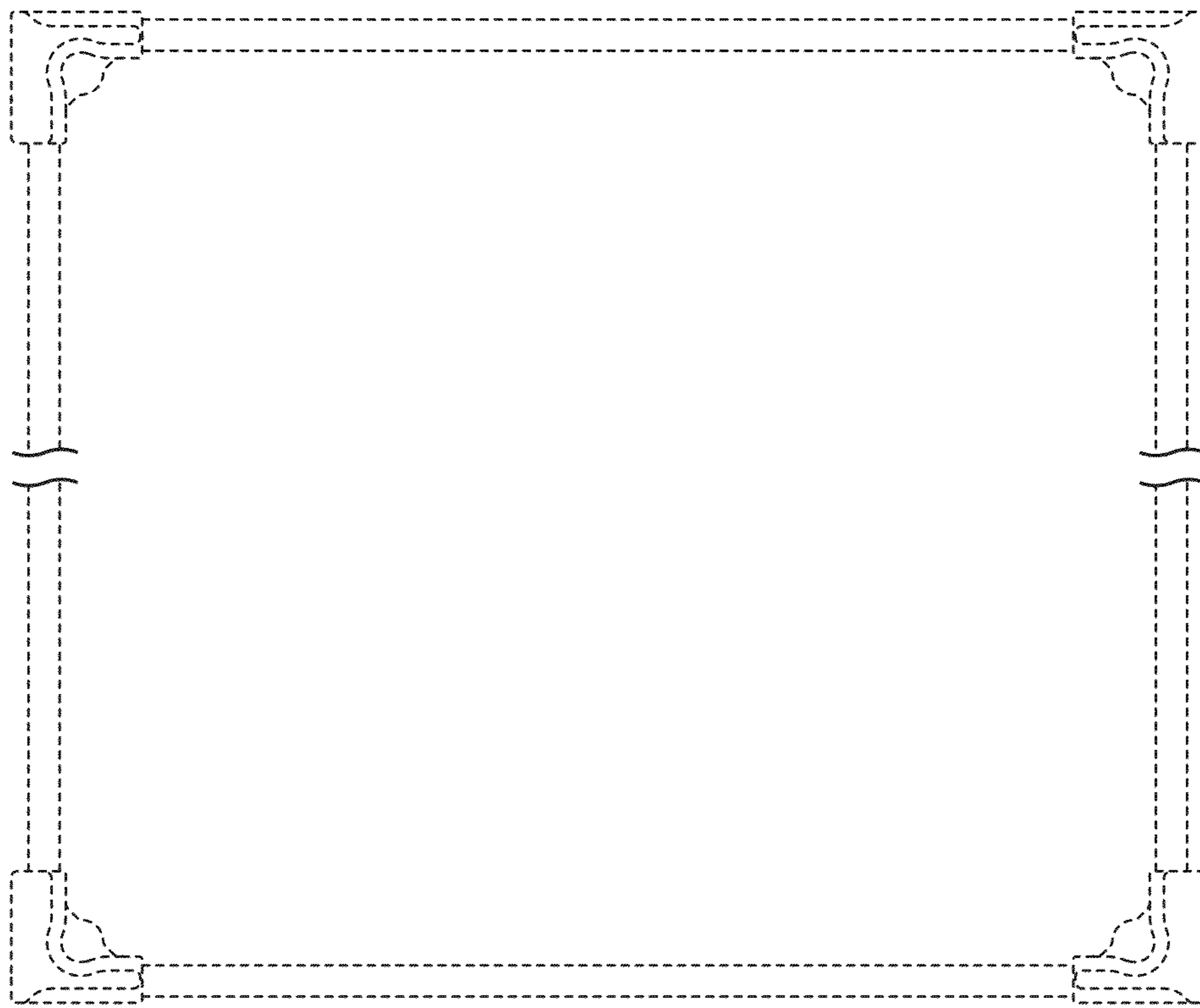


FIG. 5

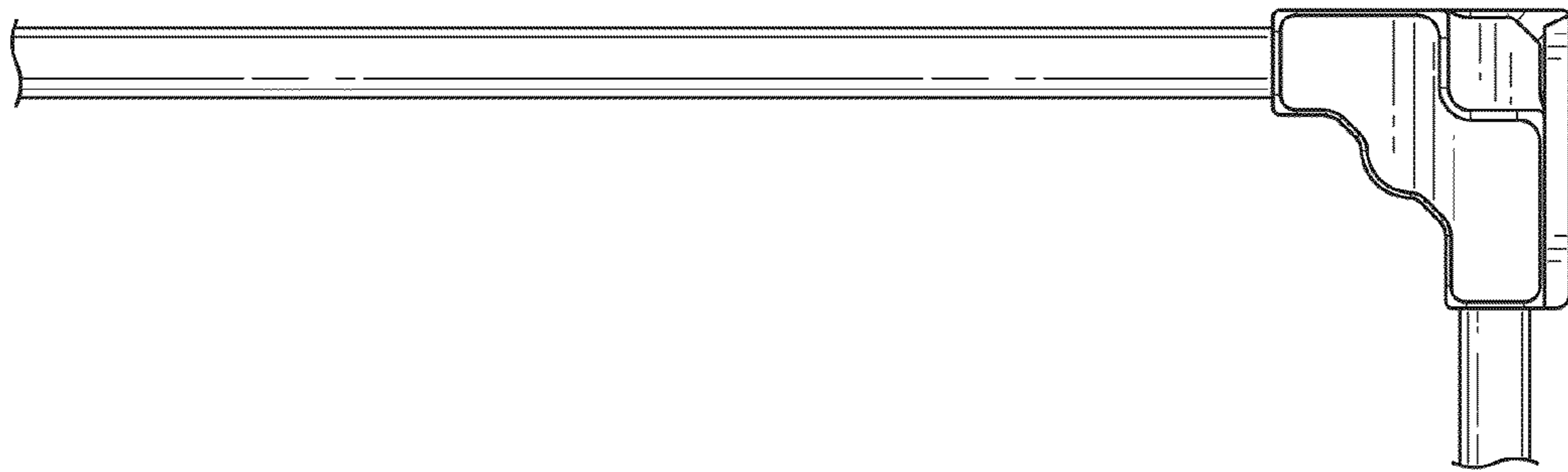


FIG. 6

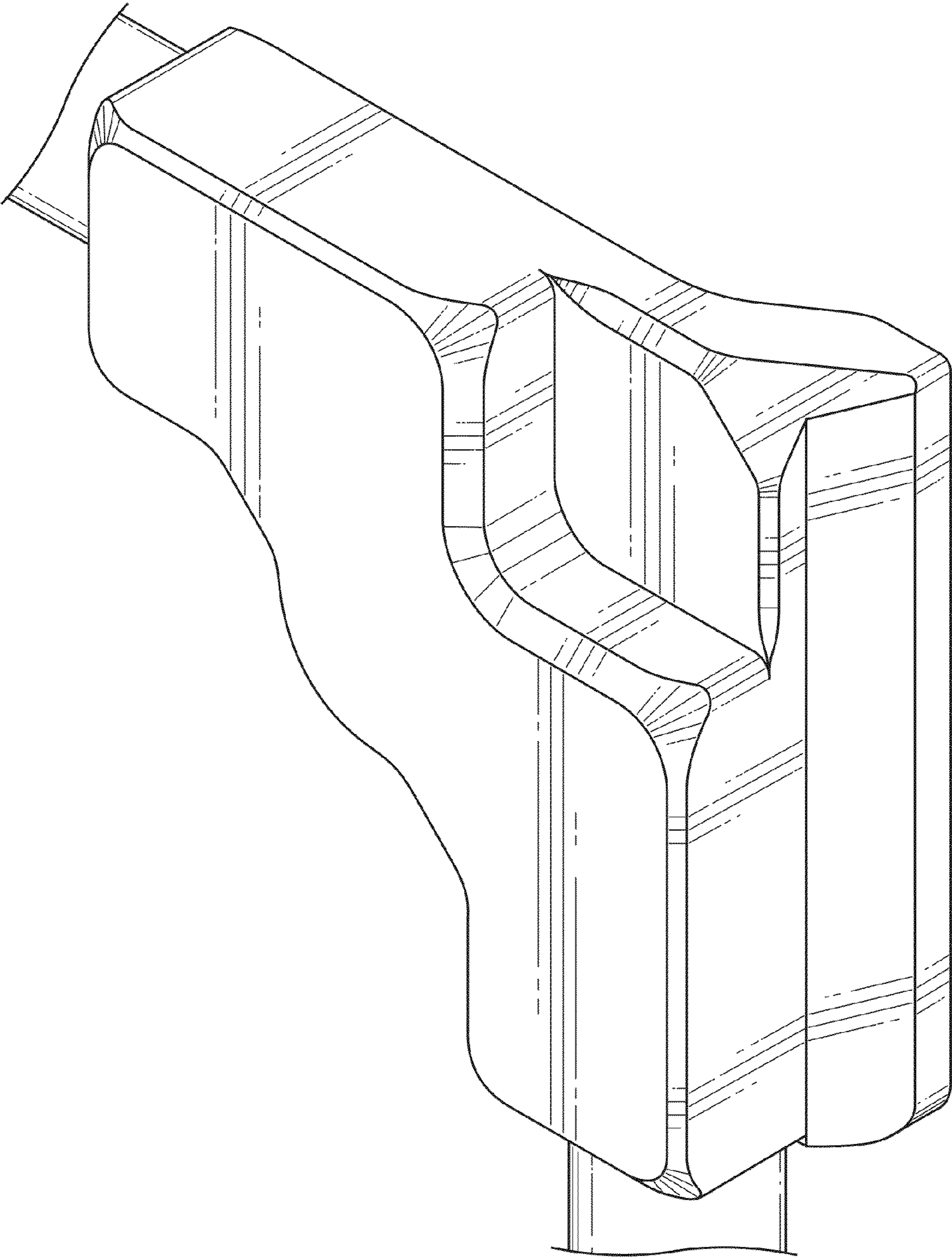


FIG. 7