



US00D751535S

(12) **United States Design Patent**
Podduturi

(10) **Patent No.:** **US D751,535 S**
(45) **Date of Patent:** **** Mar. 15, 2016**

(54) **ANTENNA FOR WATER METER**
(71) Applicant: **World Products, LLC**, Sonoma, CA (US)

(72) Inventor: **Bharadvaj R. Podduturi**, American Canyon, CA (US)

(73) Assignee: **World Products, Inc.**, Sonoma, CA (US)

(**) Term: **14 Years**

(21) Appl. No.: **29/476,808**

(22) Filed: **Dec. 17, 2013**

(51) **LOC (10) Cl.** **14-03**

(52) **U.S. Cl.**
USPC **D14/230**

(58) **Field of Classification Search**
USPC D14/138, 230–238, 299, 358;
D6/648.2–648.4, 705

See application file for complete search history.

(56) **References Cited**

U.S. PATENT DOCUMENTS

6,175,080	B1	1/2001	Nightingale	
6,310,586	B1	10/2001	Takahashi et al.	
6,501,427	B1	12/2002	Lilly et al.	
D493,446	S *	7/2004	Hung et al.	D14/230
6,798,383	B2 *	9/2004	Nakase et al.	343/700 MS
7,928,920	B2 *	4/2011	Yagi	343/793
8,269,681	B2 *	9/2012	Yang et al.	343/725
D683,720	S *	6/2013	Quinlan et al.	D14/230
8,508,418	B2 *	8/2013	Kough et al.	343/702
D702,216	S	4/2014	Podduturi	
D707,663	S *	6/2014	Podduturi	D14/230
D726,696	S	4/2015	Kudo	
2002/0140613	A1 *	10/2002	Tsai et al.	343/702
2002/0146988	A1 *	10/2002	Boyle et al.	455/90
2002/0190906	A1 *	12/2002	Kim et al.	343/702
2004/0222936	A1 *	11/2004	Hung et al.	343/795
2006/0001590	A1 *	1/2006	Hung et al.	343/846

2006/0170605	A1 *	8/2006	Tang et al.	343/795
2006/0232482	A1 *	10/2006	Chen	343/702
2006/0274472	A1	12/2006	Saito et al.	
2009/0058736	A1 *	3/2009	Chiang	343/702
2009/0174612	A1 *	7/2009	Ayala et al.	343/702
2011/0037666	A1 *	2/2011	Behrmann	343/703

(Continued)

FOREIGN PATENT DOCUMENTS

EM	000226105-0001	*	11/2004
GB	2091253	*	4/2000

(Continued)

OTHER PUBLICATIONS

Application and file history of U.S. Appl. No. 29/476,812, filed Dec. 17, 2013, inventor Bharadvaj R. Podduturi.

Primary Examiner — John Windmuller

Assistant Examiner — John R Yeh

(74) *Attorney, Agent, or Firm* — Patterson Thunte Pedersen, P.A.

(57) **CLAIM**

I claim the ornamental design for an antenna for water meter, as shown and described.

DESCRIPTION

FIG. 1 is a perspective view of an antenna for water meter according to an embodiment of the invention.

FIG. 2 is a close-up perspective view taken along the lines 2-2 of the antenna for water meter depicted in FIG. 1.

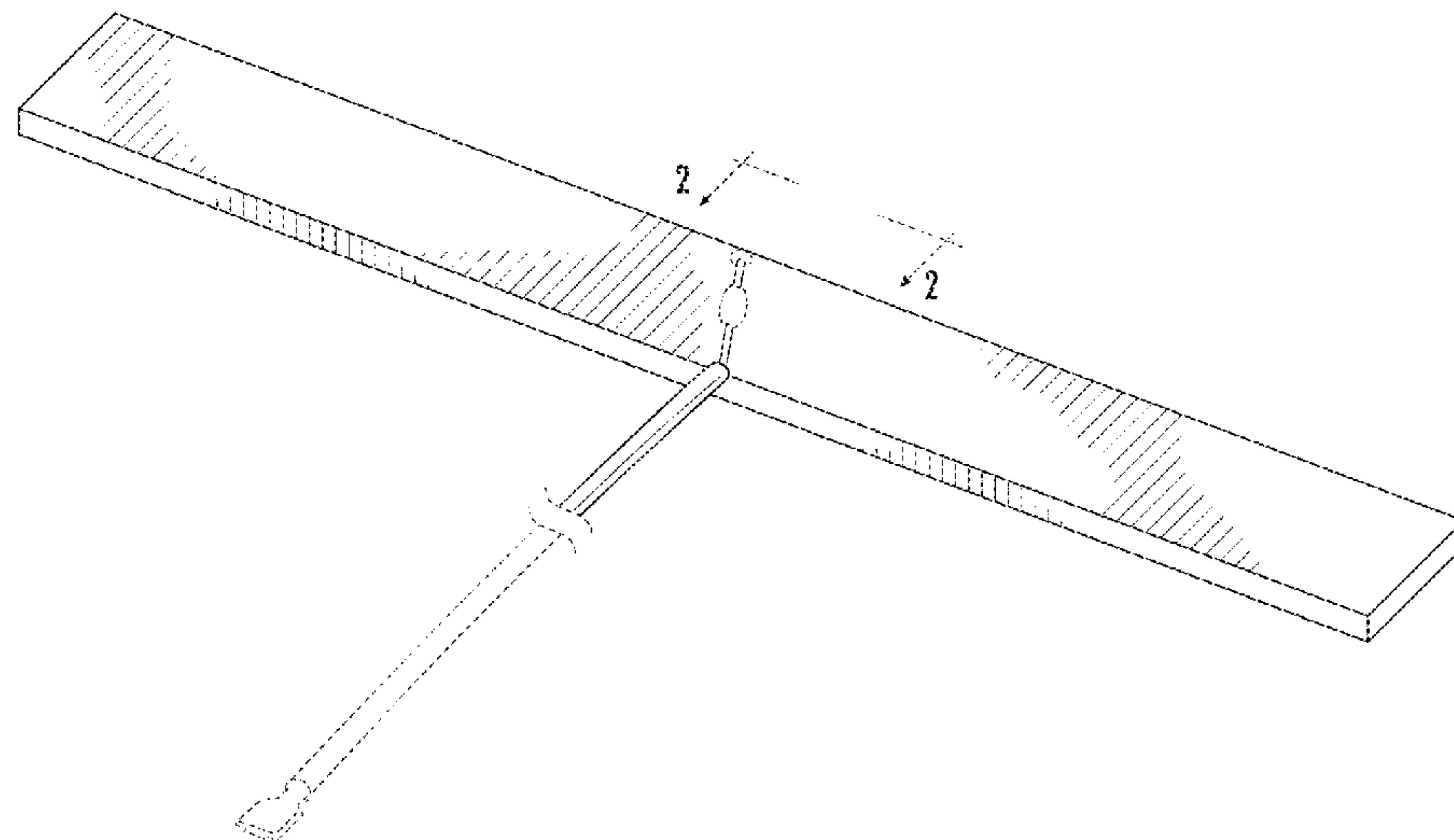
FIG. 3 is a top plan view of the antenna for water meter depicted in FIG. 1.

FIG. 4 is a front elevation view of the antenna for water meter depicted in FIG. 1; and,

FIG. 5 is a rear elevation view of the antenna for water meter depicted in FIG. 1.

The broken lines illustrate portions of the antenna for water meter which form no part of the claimed invention.

1 Claim, 3 Drawing Sheets



(56)

References Cited

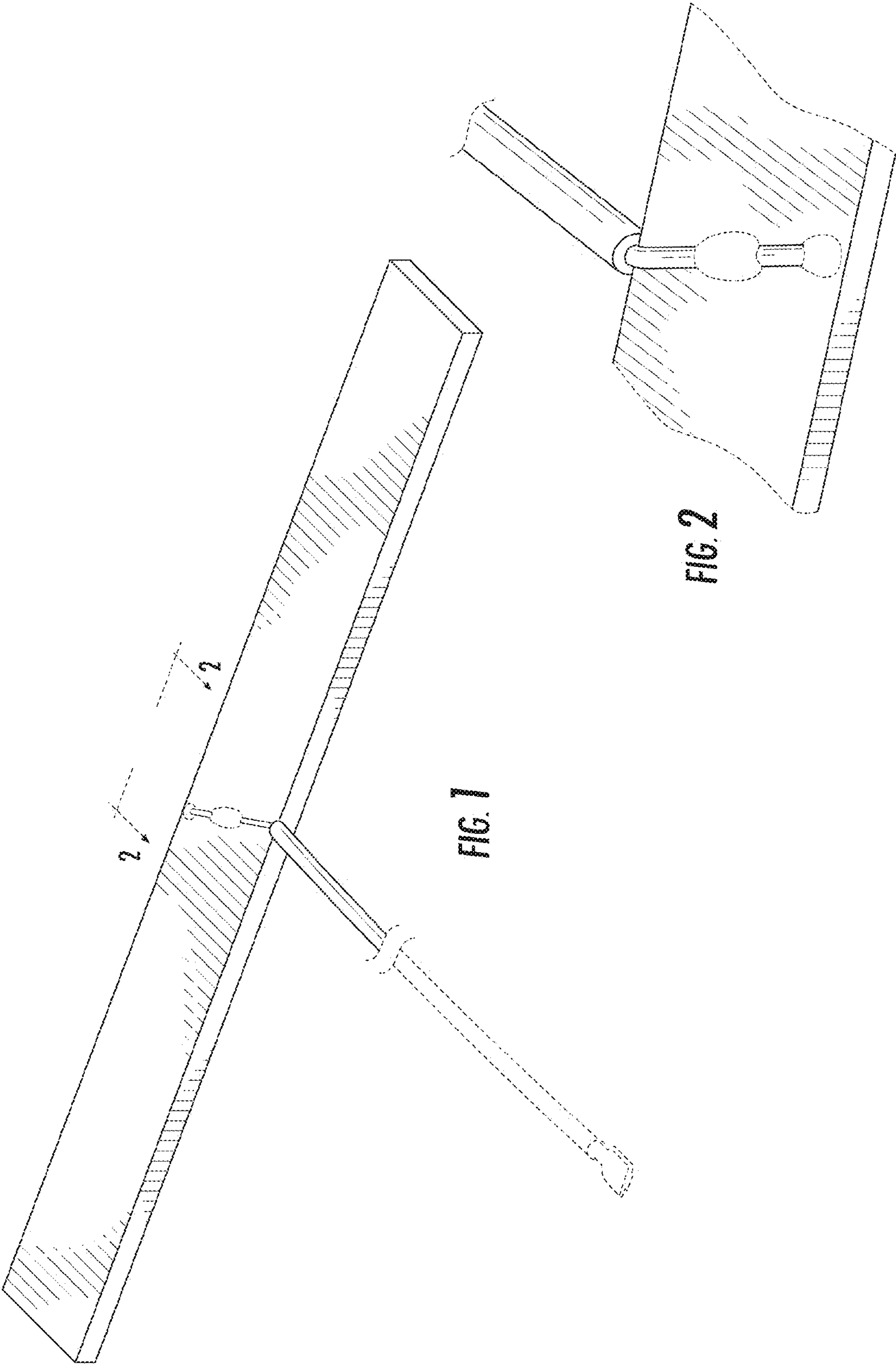
FOREIGN PATENT DOCUMENTS

U.S. PATENT DOCUMENTS

2011/0074524 A1 3/2011 Nishioka
2013/0249764 A1 9/2013 Amaya et al.
2013/0335289 A1 12/2013 Hara et al.

JP D1063961 * 3/2000
JP D1282485 * 9/2006
JP D1324431 * 3/2008

* cited by examiner



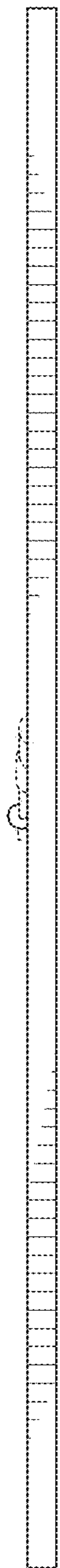


FIG. 3

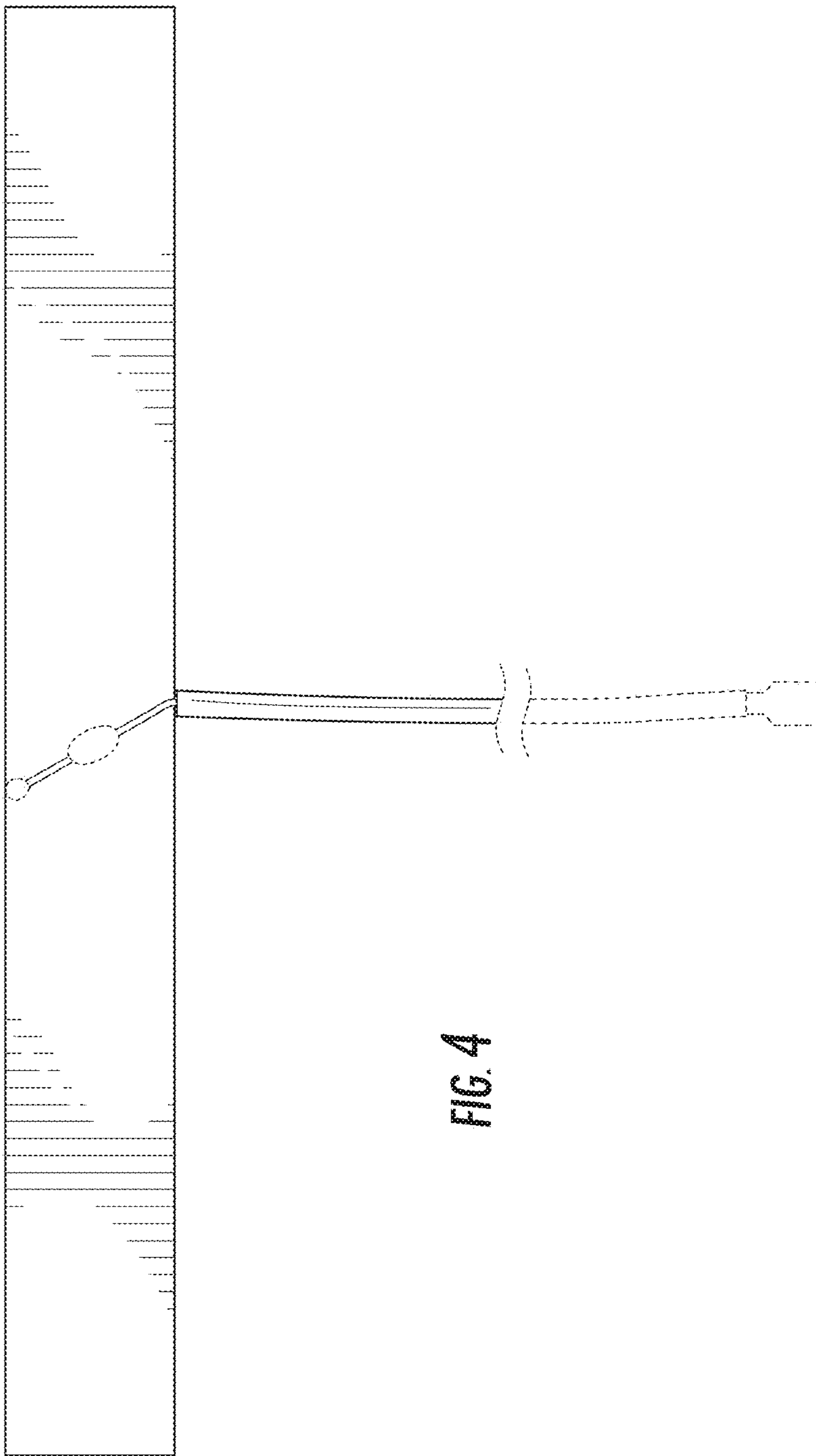


FIG. 4

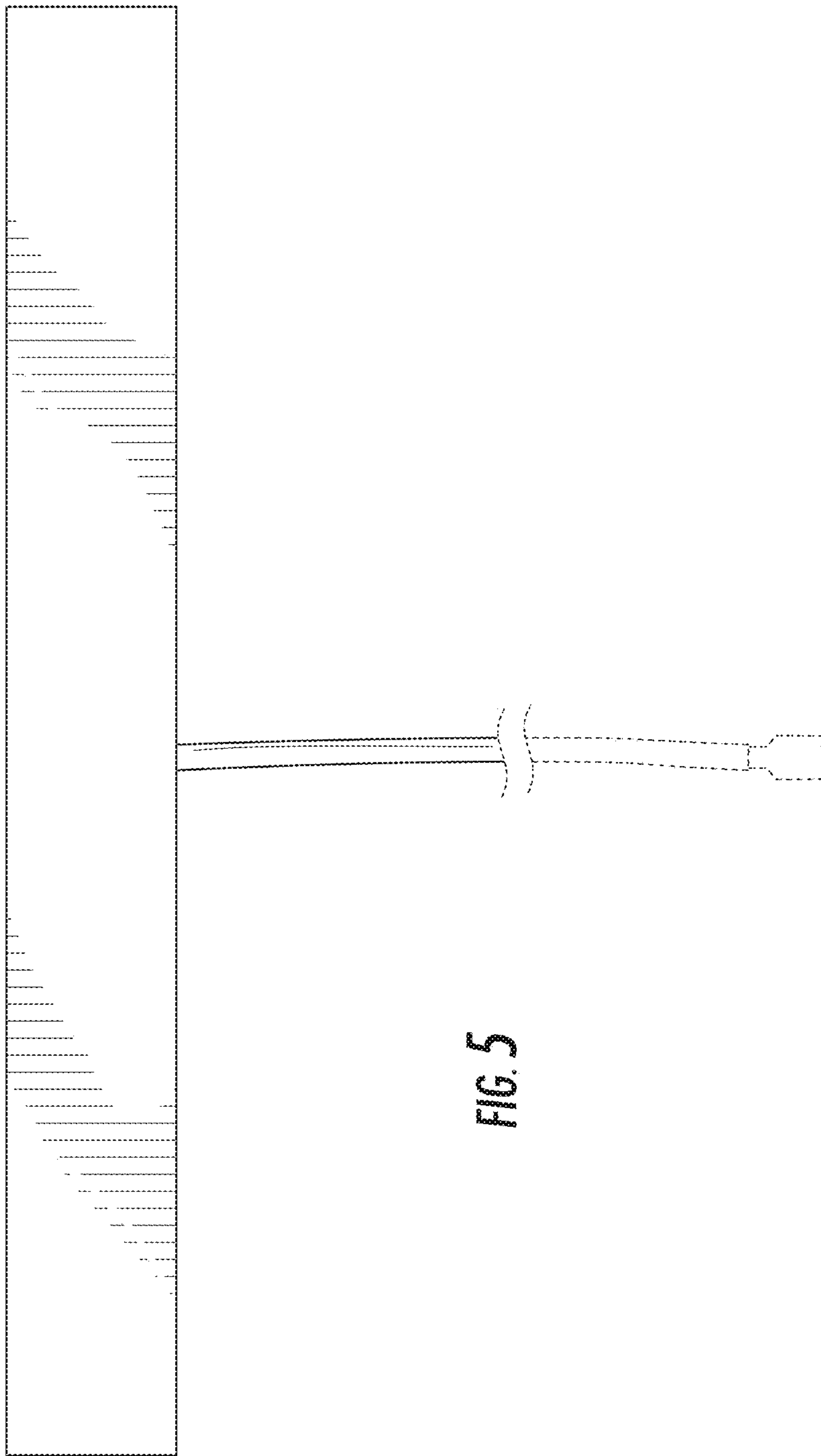


FIG. 5