



US00D751533S

(12) **United States Design Patent**
Godfrey

(10) **Patent No.:** **US D751,533 S**
(45) **Date of Patent:** **** Mar. 15, 2016**

(54) **HANDHELD MICROPHONE**

(71) Applicant: **Michael James Godfrey**, Toronto (CA)

(72) Inventor: **Michael James Godfrey**, Toronto (CA)

(**) Term: **14 Years**

(21) Appl. No.: **29/437,340**

(22) Filed: **Nov. 15, 2012**

(51) **LOC (10) Cl.** **14-01**

(52) **U.S. Cl.**
USPC **D14/228**

(58) **Field of Classification Search**
USPC D14/225–229; D9/503; D13/168;
D28/89; 455/95
See application file for complete search history.

(56) **References Cited**

U.S. PATENT DOCUMENTS

D205,403 S *	8/1966	Wilson	D14/228
D209,515 S *	12/1967	Thomson	D14/228
D218,102 S *	7/1970	Schwartz	D13/168
4,344,184 A *	8/1982	Edwards	455/95
D407,407 S *	3/1999	Okon et al.	D14/228

D632,017 S *	2/2011	Lee	D28/89
D671,837 S *	12/2012	Rosenberg	D9/504
D693,686 S *	11/2013	Rosenberg	D9/503

* cited by examiner

Primary Examiner — Caron D Veynar

Assistant Examiner — Holly E Thurman

(74) *Attorney, Agent, or Firm* — Welsh Flaxman & Gitler LLC

(57) **CLAIM**

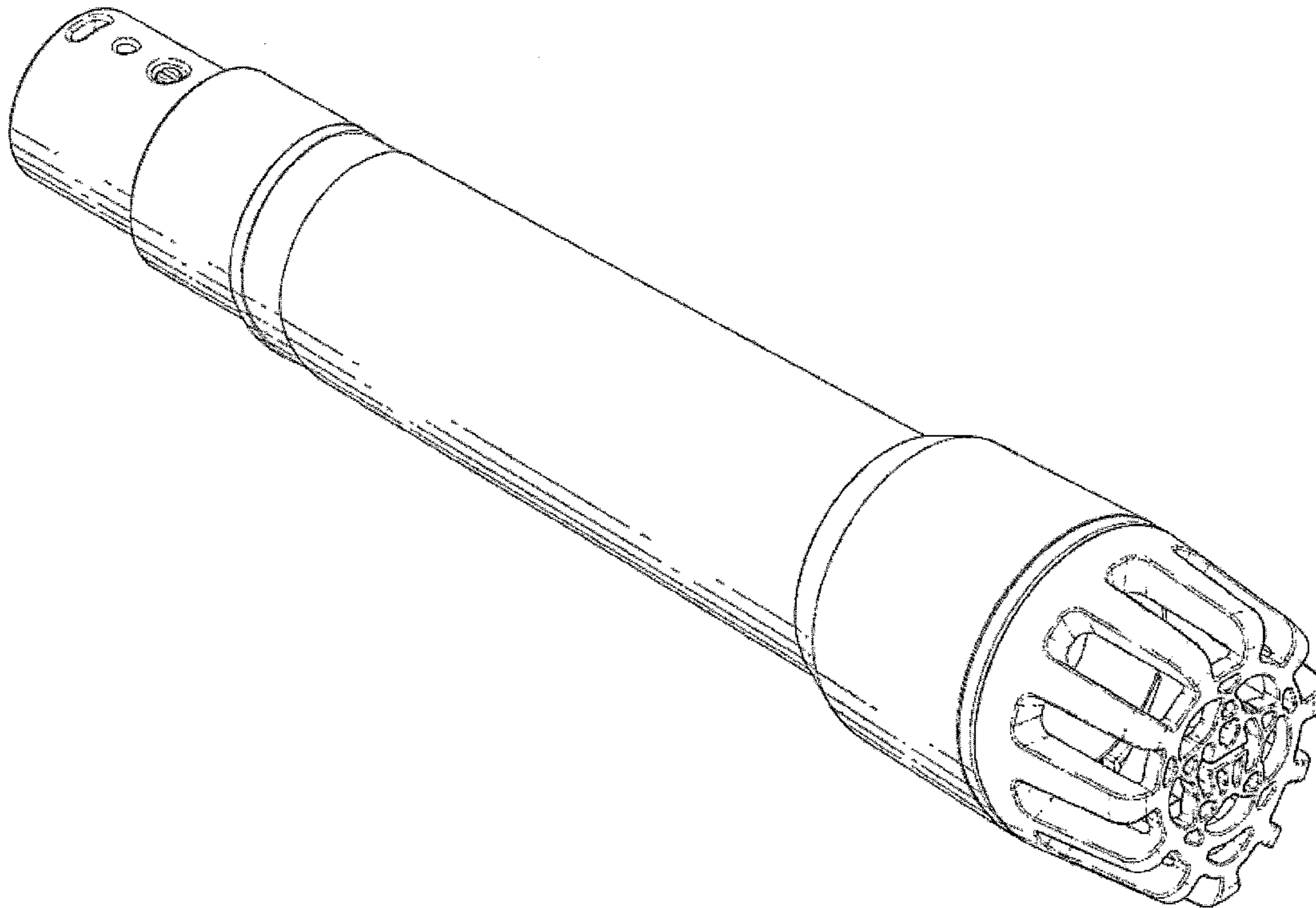
The ornamental design for a handheld microphone, as shown and described.

DESCRIPTION

FIG. 1 is a perspective view of the handheld microphone; FIG. 2 is a front view of the handheld microphone; FIG. 3 is a right side view of the handheld microphone; FIG. 4 is a left side view of the handheld microphone; FIG. 5 is a rear view of the handheld microphone; FIG. 6 is a top view of the handheld microphone; and, FIG. 7 is a bottom view of the handheld microphone.

The broken line portion of the figure drawings is included to show portions of the article only and forms no part of the claimed design.

1 Claim, 5 Drawing Sheets



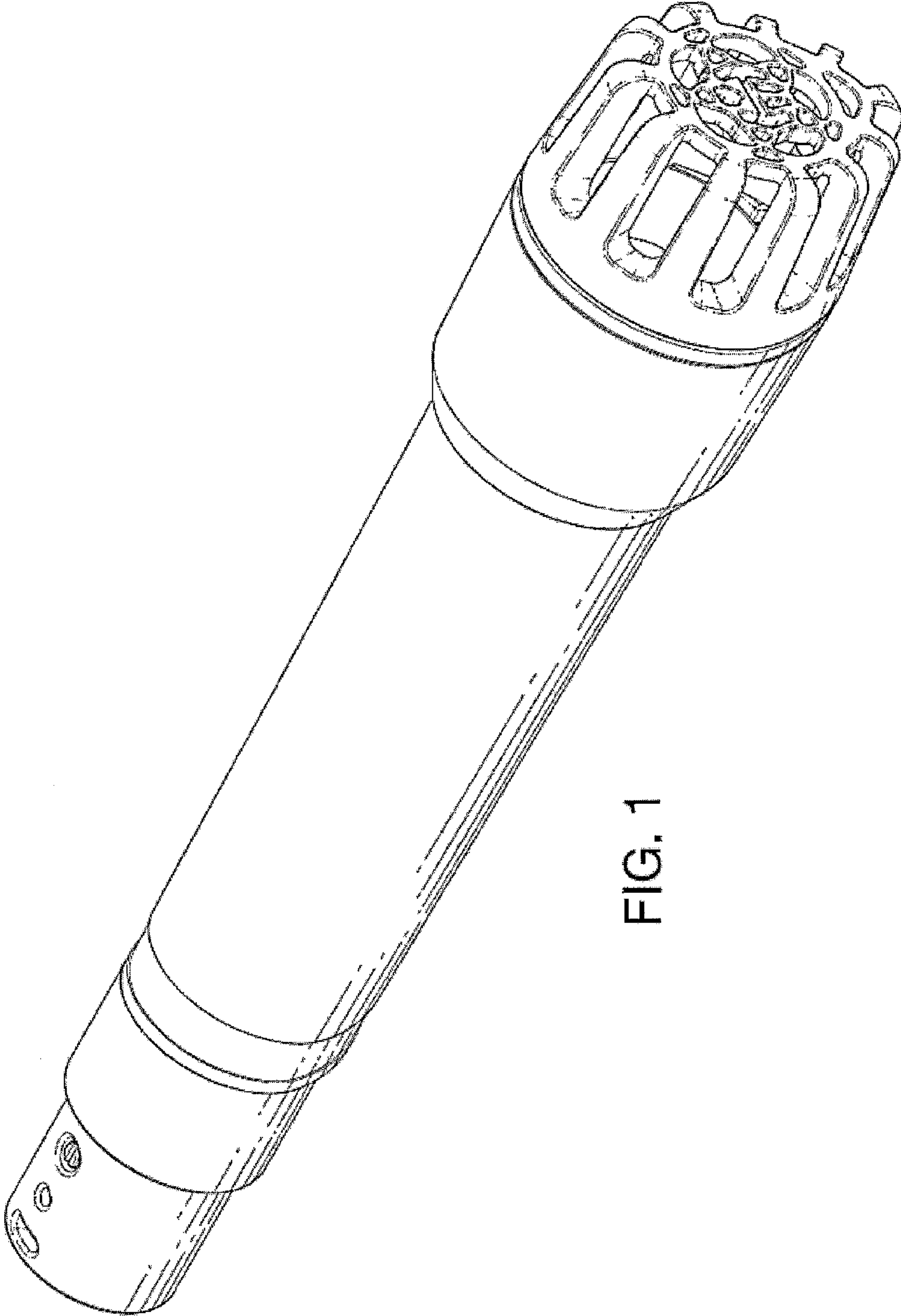


FIG. 1

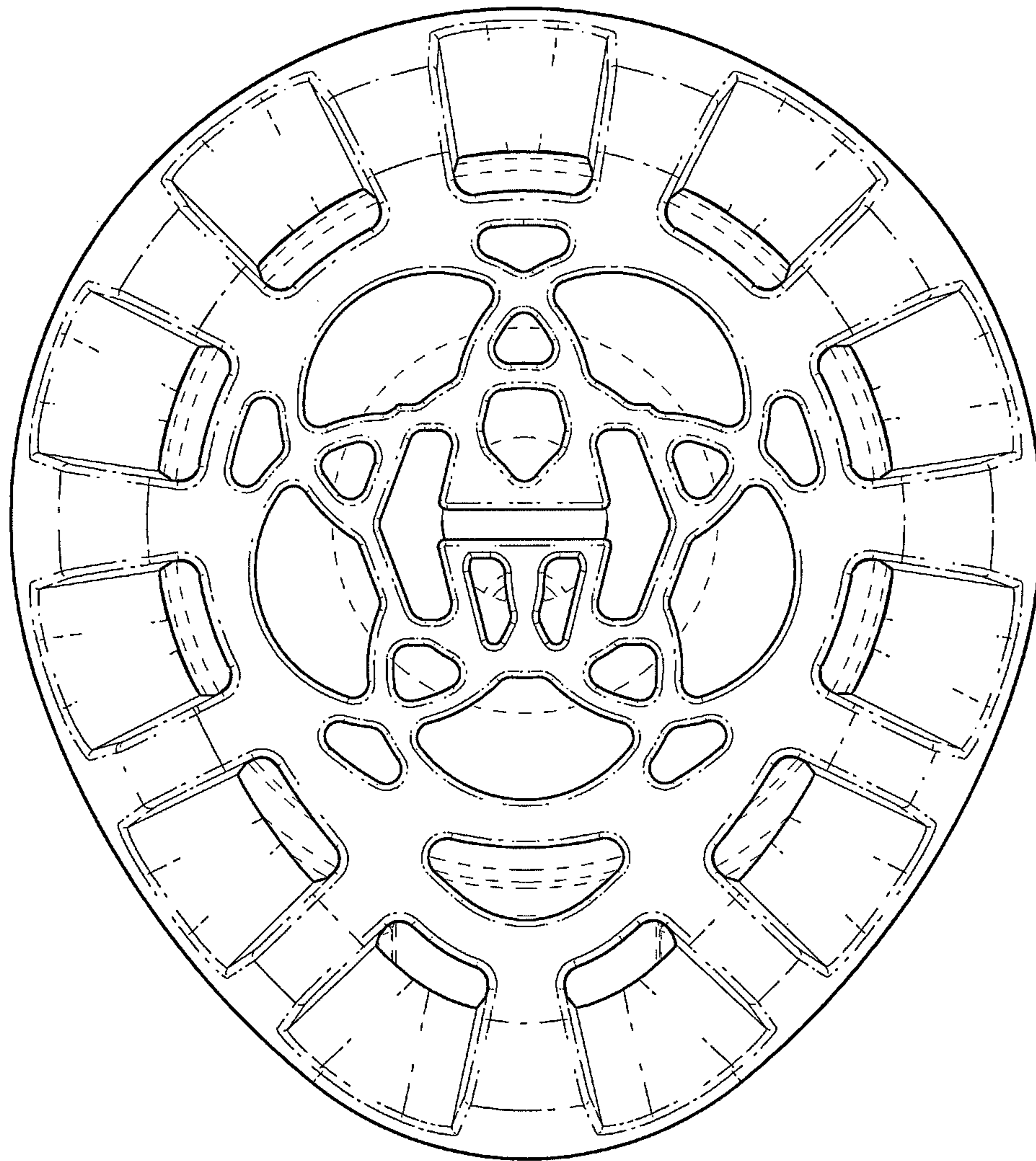


FIG. 2

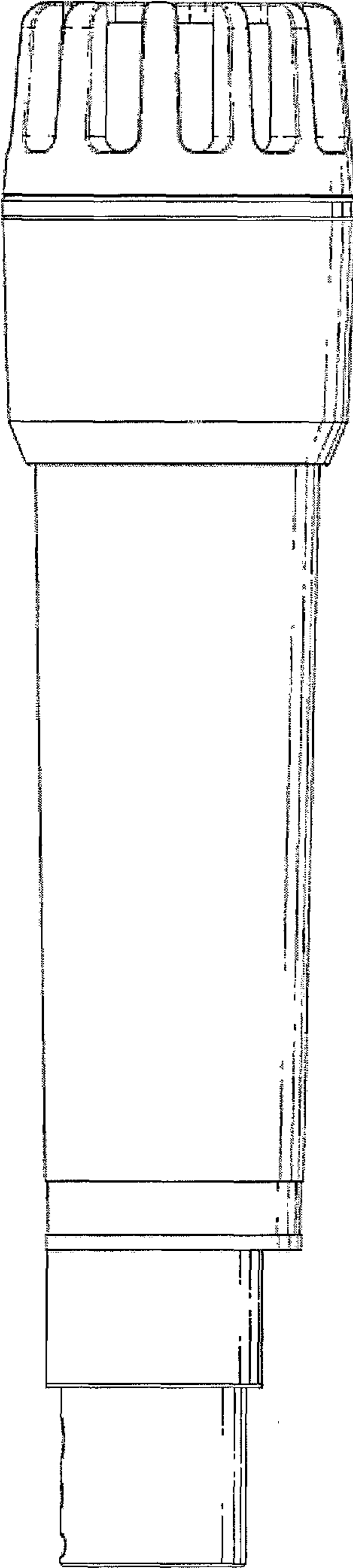


FIG. 3

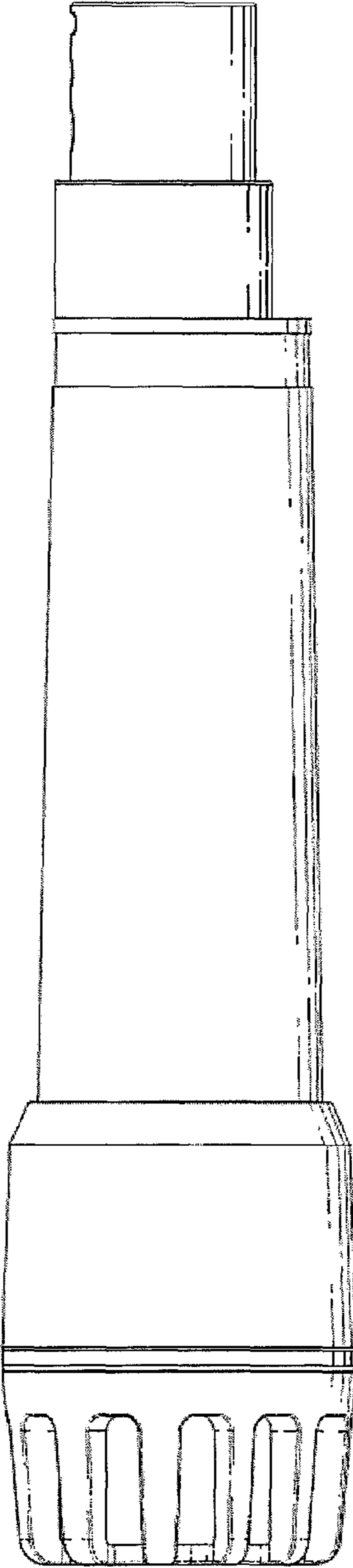


FIG. 4

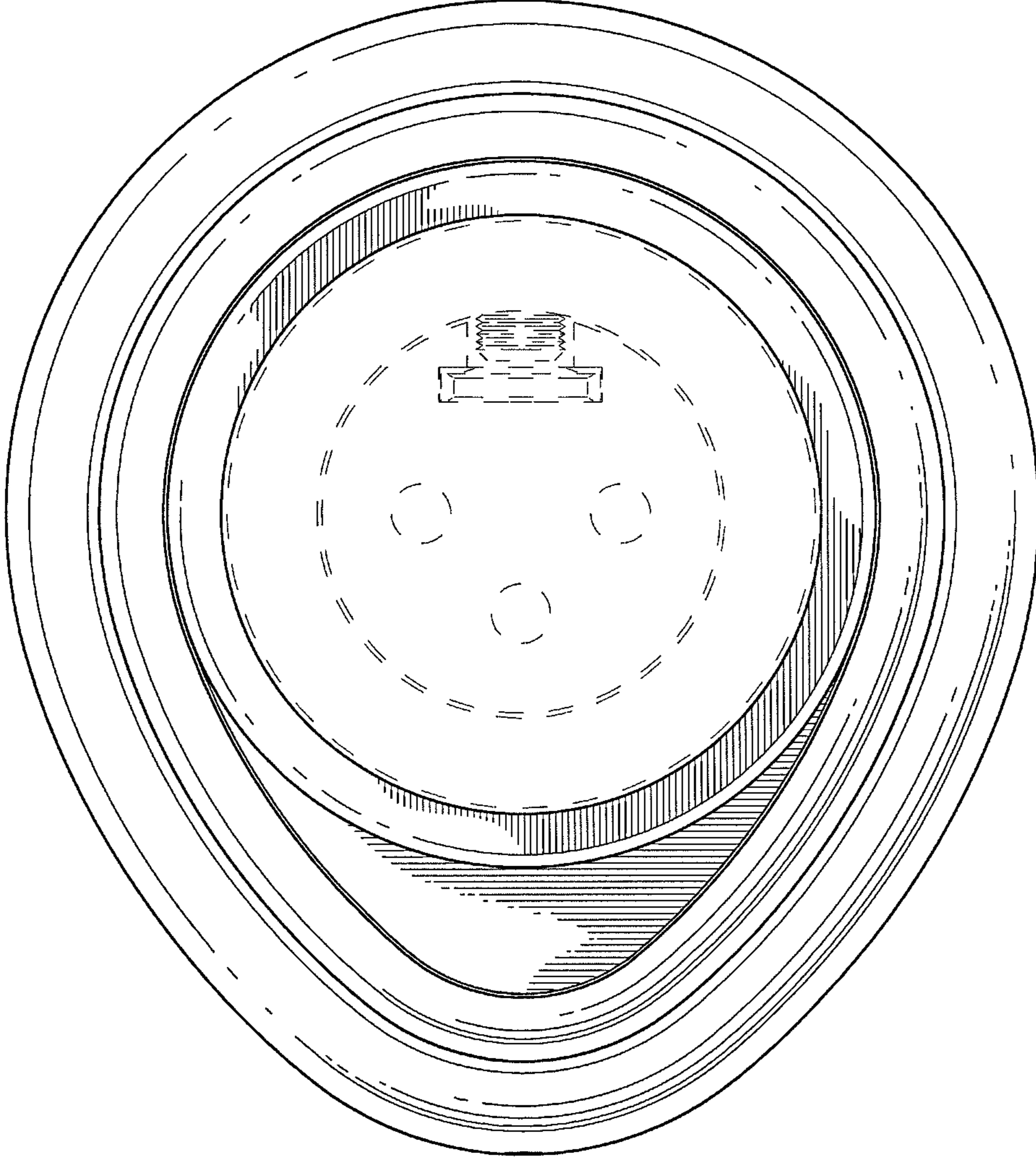


FIG. 5

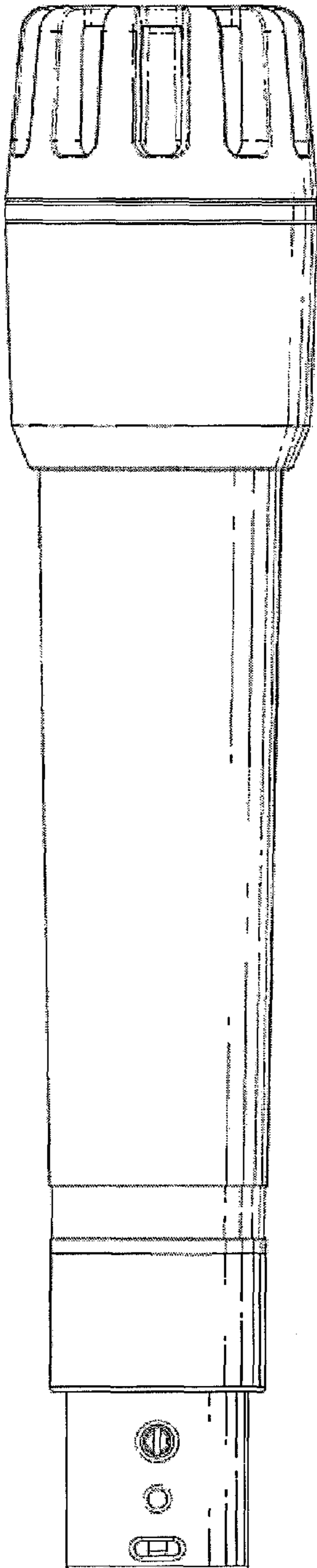


FIG. 6

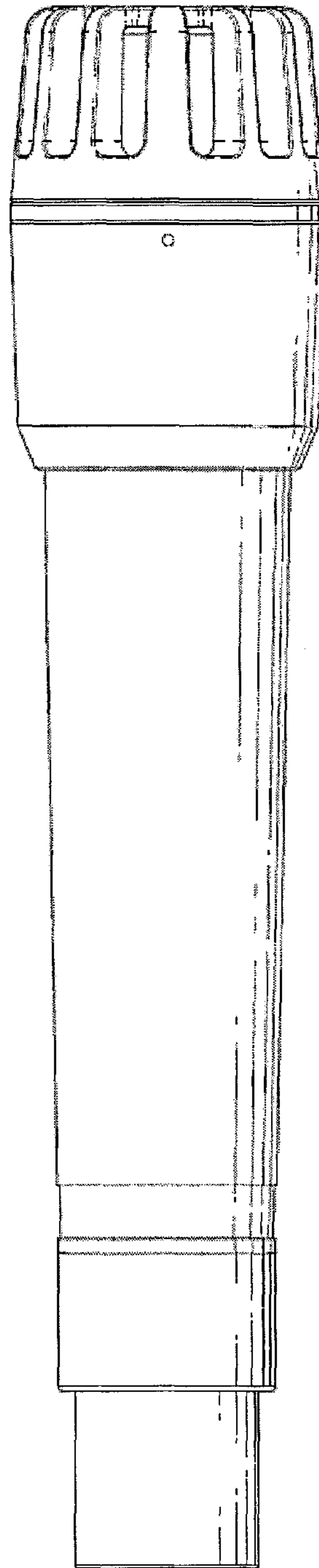


FIG. 7