



US00D751532S

(12) **United States Design Patent**
Chen

(10) **Patent No.:** **US D751,532 S**
(45) **Date of Patent:** **** Mar. 15, 2016**

(54) **HORIZONTAL COMPUTER MICROPHONE**
(71) Applicant: **Ching-Wen Chen**, Taipei (TW)
(72) Inventor: **Ching-Wen Chen**, Taipei (TW)
(**) Term: **14 Years**
(21) Appl. No.: **29/512,628**
(22) Filed: **Dec. 21, 2014**
(51) **LOC (10) Cl.** **14-01**
(52) **U.S. Cl.**
USPC **D14/225**
(58) **Field of Classification Search**
USPC D14/225, 226, 229, 188, 167, 194, 159,
D14/214, 219, 221, 168, 238.1, 496, 501,
D14/507; 379/428.01, 428.04, 431, 433.04,
379/447; 381/361, 365, 366, 355, 375, 386,
381/388
CPC G06F 1/16
See application file for complete search history.

(56) **References Cited**

U.S. PATENT DOCUMENTS

D105,226 S * 7/1937 Moore D14/226
D105,992 S * 9/1937 Huth D14/227
D171,055 S * 12/1953 Schell, Jr. D14/225
D248,945 S * 8/1978 Astleford D14/229
4,441,577 A * 4/1984 Kurihara H04R 1/323
181/141
D278,535 S * 4/1985 Sujanani D14/193
4,577,070 A * 3/1986 Shulman H04R 1/08
248/104
D321,692 S * 11/1991 Siddoway D14/225
D332,608 S * 1/1993 Masagaki D14/186
D338,204 S * 8/1993 Takao D14/226
D340,717 S * 10/1993 Grimes D14/193
D356,571 S * 3/1995 Garmon D14/225
D359,492 S * 6/1995 Dyas D14/214
D363,721 S * 10/1995 Lum D14/214
5,812,369 A * 9/1998 Hsu G06F 1/1616
361/679.6
D404,736 S * 1/1999 Alvarez D14/225
D416,912 S * 11/1999 Hsieh D14/225
6,078,497 A * 6/2000 Derocher G06F 1/1616
345/905

6,181,550 B1 * 1/2001 Kim G06F 1/1616
361/679.06
D438,857 S * 3/2001 Ishii D14/161
D447,131 S * 8/2001 Hough D14/228
6,600,827 B2 * 7/2003 Lu G06F 1/1605
248/316.4
D483,739 S * 12/2003 Olson D14/214
D496,653 S * 9/2004 Townsend D14/240
D507,261 S * 7/2005 Griffin D14/226
D516,546 S * 3/2006 Sobol D14/228
D545,300 S * 6/2007 Hong D14/214
D553,862 S * 10/2007 Gregg D4/121
D554,149 S * 10/2007 Kim D14/496
D554,628 S * 11/2007 Aoki D14/226
D558,183 S * 12/2007 Aoki D14/167
D563,385 S * 3/2008 Skurdal D14/214
D567,807 S * 4/2008 Bodley D14/225
D578,994 S * 10/2008 Oka D14/167
D584,287 S * 1/2009 Pauschitz D14/214
D613,725 S * 4/2010 Chen D14/194
D629,794 S * 12/2010 Aarrestad D14/225
D644,211 S * 8/2011 Hao D14/219
D649,524 S * 11/2011 Miyazaki D14/167

(Continued)

Primary Examiner — Paula Greene

(74) *Attorney, Agent, or Firm* — Pro-TECHTOR
International Services; Ian Oglesby

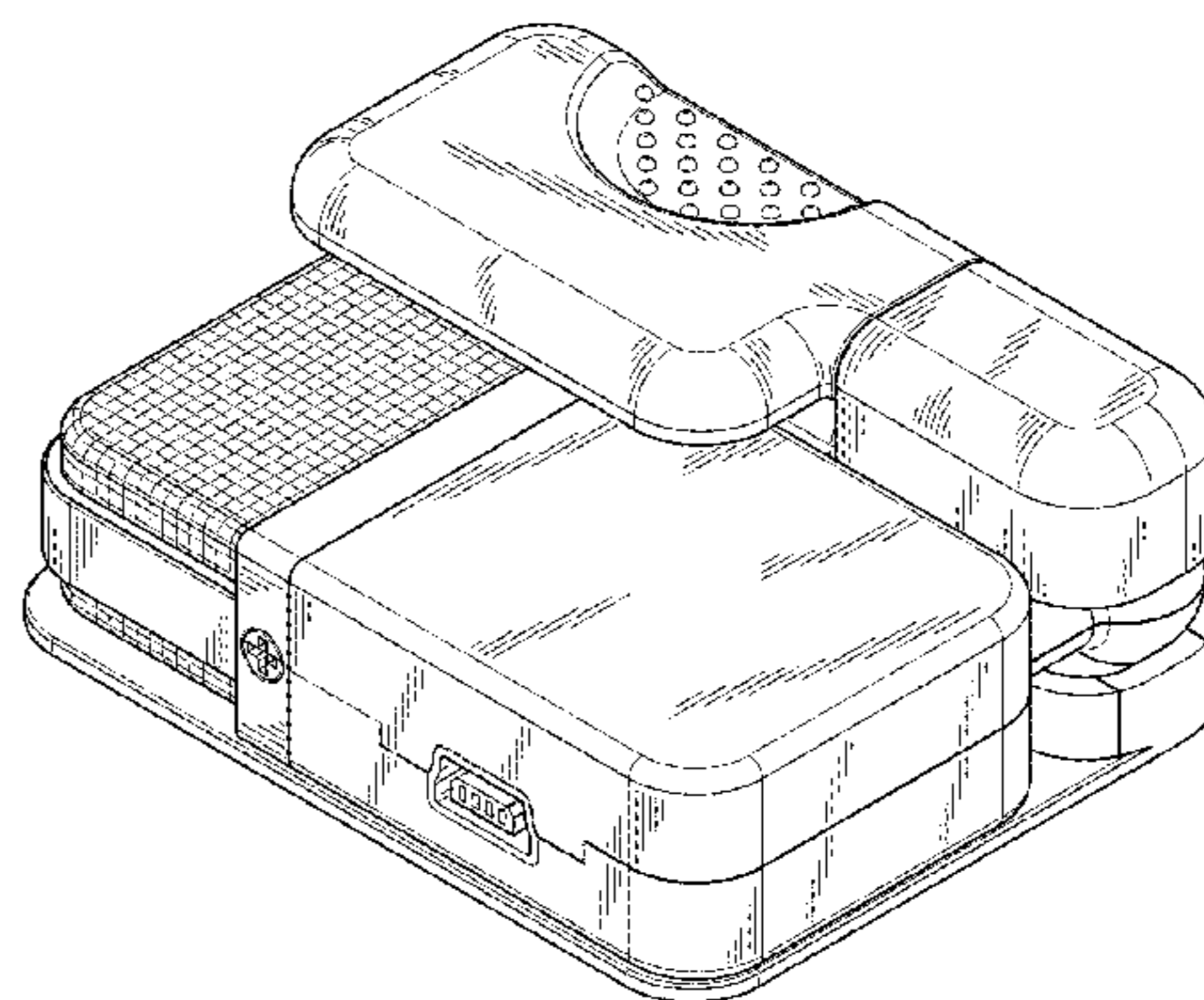
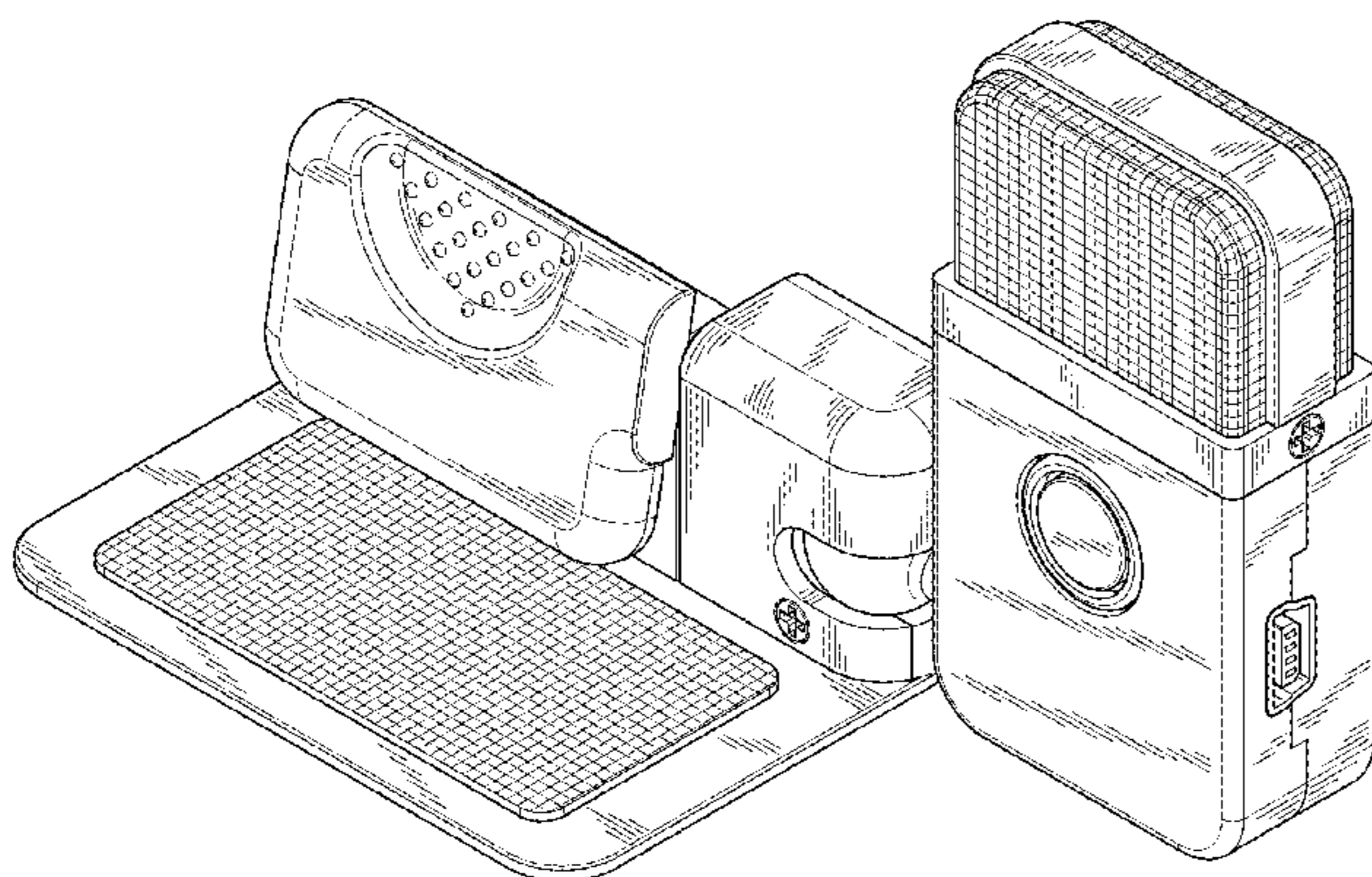
(57) **CLAIM**

The ornamental design for a horizontal computer micro-
phone, as shown and described.

DESCRIPTION

FIG. 1 is a plan view of horizontal computer microphone
showing my new design;
FIG. 2 is a front view thereof;
FIG. 3 is a rear view thereof; and
FIG. 4 is a left side elevational view thereof;
FIG. 5 is a right side elevational view thereof;
FIG. 6 is a top elevational view thereof; and
FIG. 7 is a bottom elevational view thereof; and,
FIG. 8 is an operated view of horizontal computer micro-
phone showing my new design.

1 Claim, 8 Drawing Sheets



US D751,532 S

Page 2

(56)

References Cited

U.S. PATENT DOCUMENTS

D661,281 S * 6/2012 Mahaffy D14/206
D669,879 S * 10/2012 Iijima D14/167
D676,075 S * 2/2013 Ku D14/167

D679,263 S * 4/2013 Yano D14/149
D713,381 S * 9/2014 Riggs D14/214
D716,772 S * 11/2014 Cavero D14/225
2003/0053620 A1* 3/2003 Chen H04M 1/02
379/447

* cited by examiner

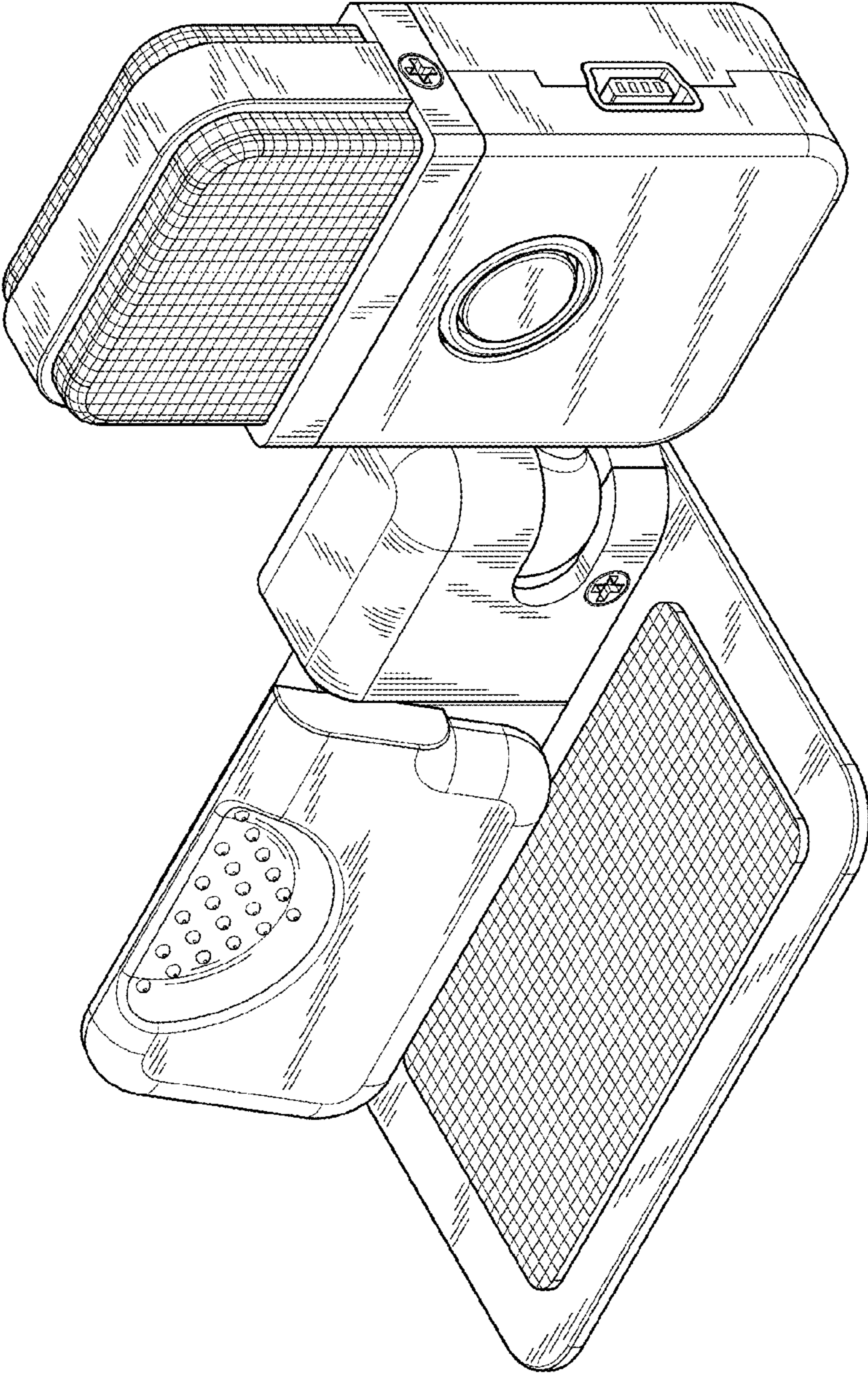


Fig. 1

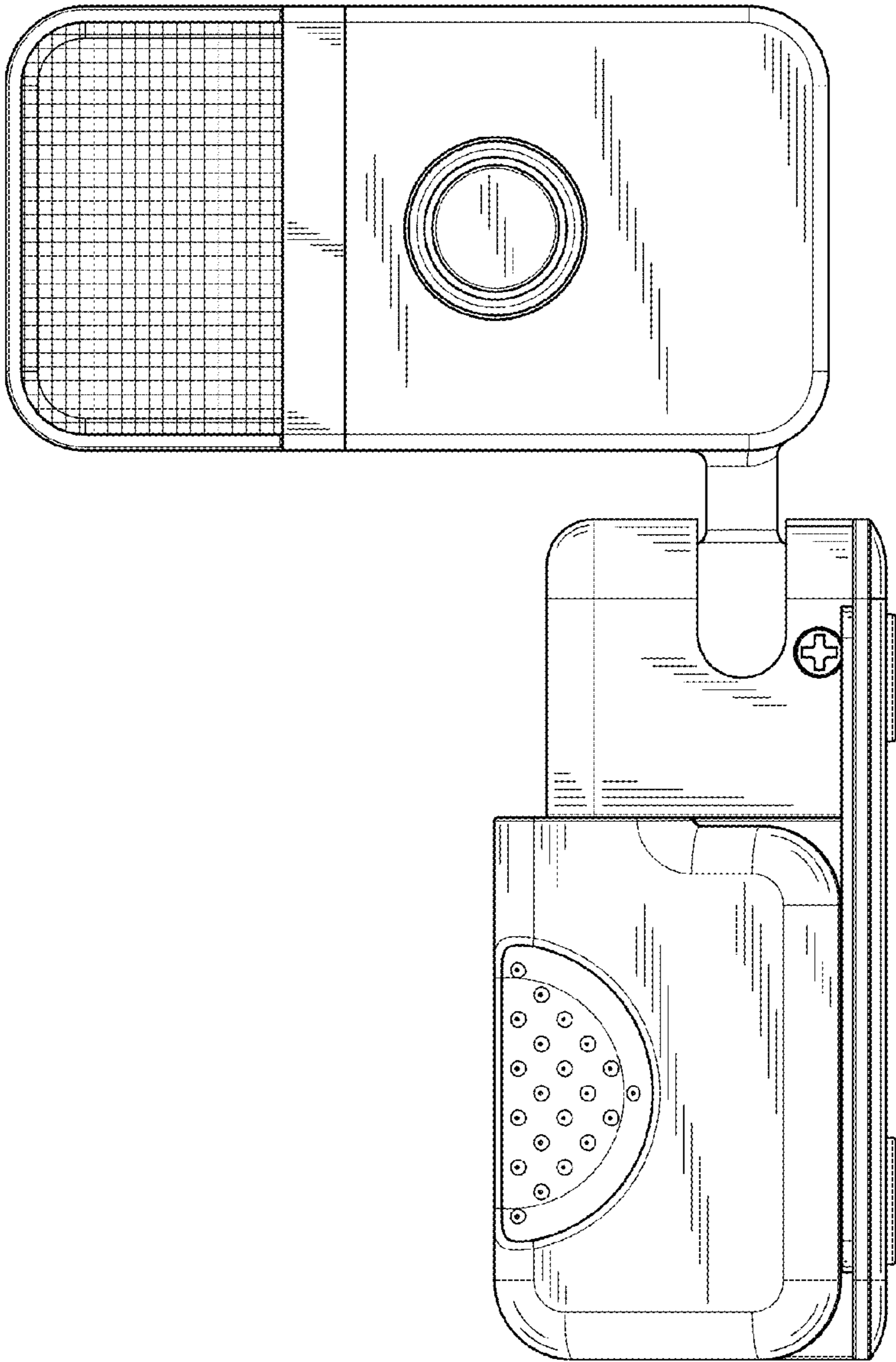


Fig. 2

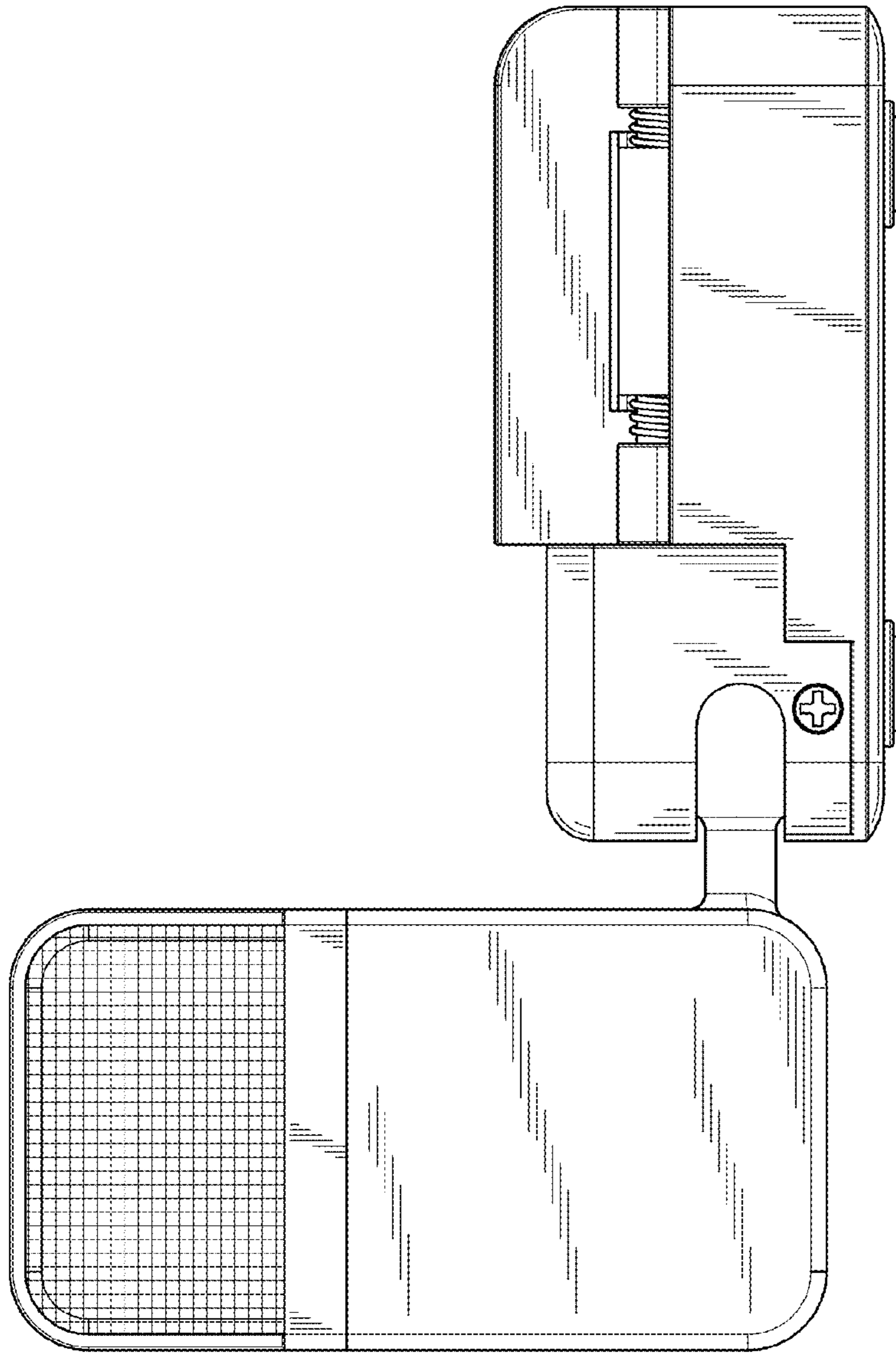


Fig.3

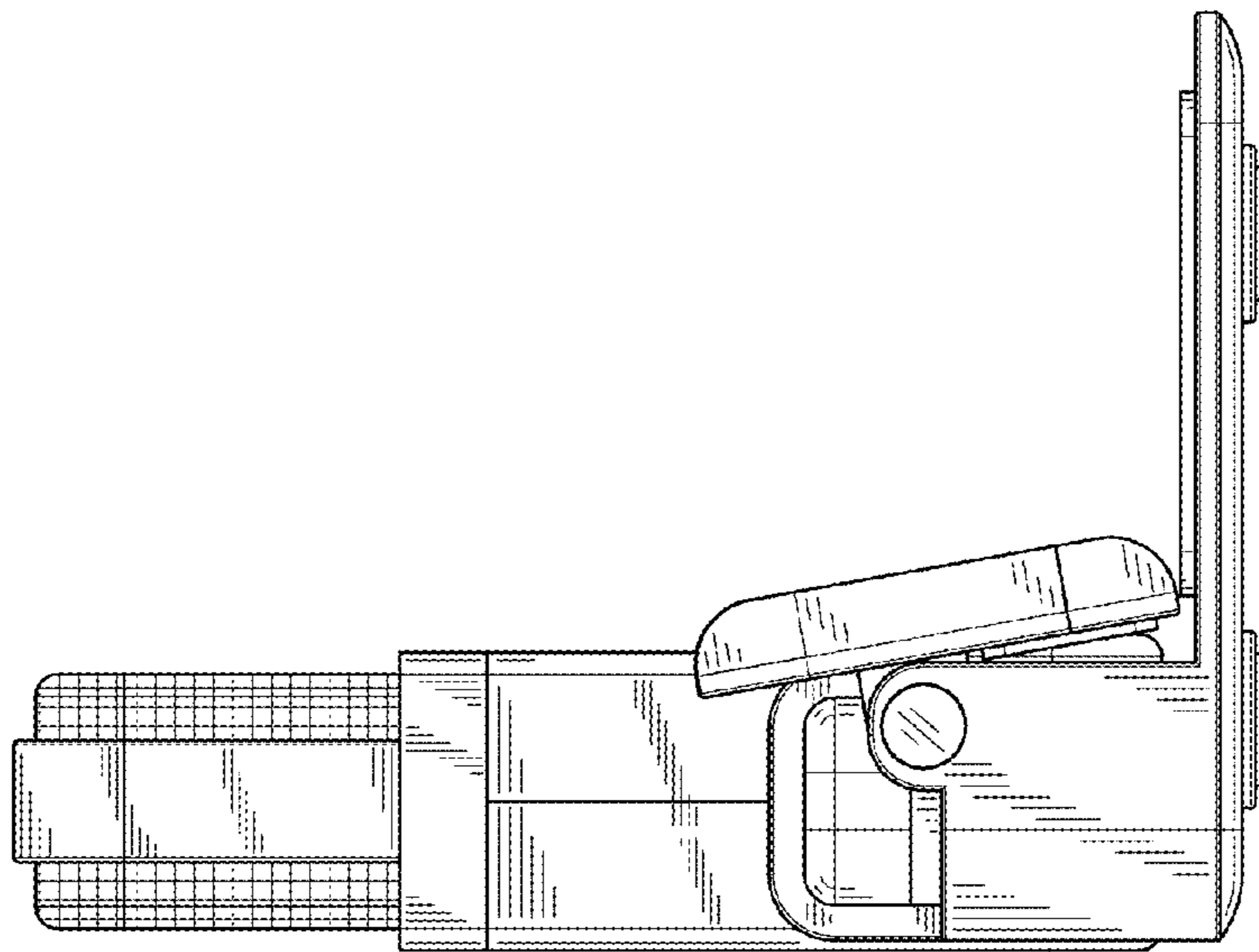


Fig.4

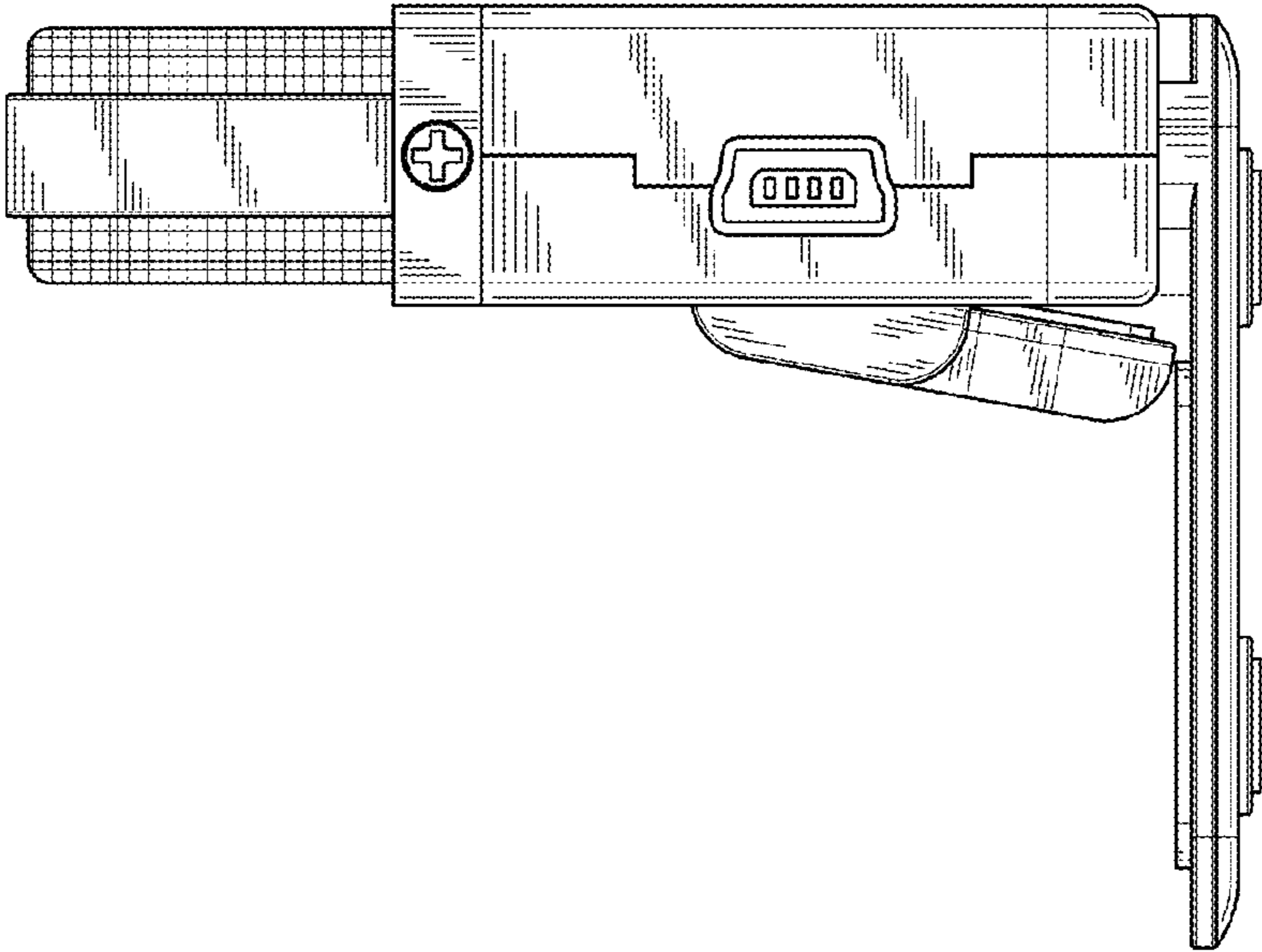


Fig. 5

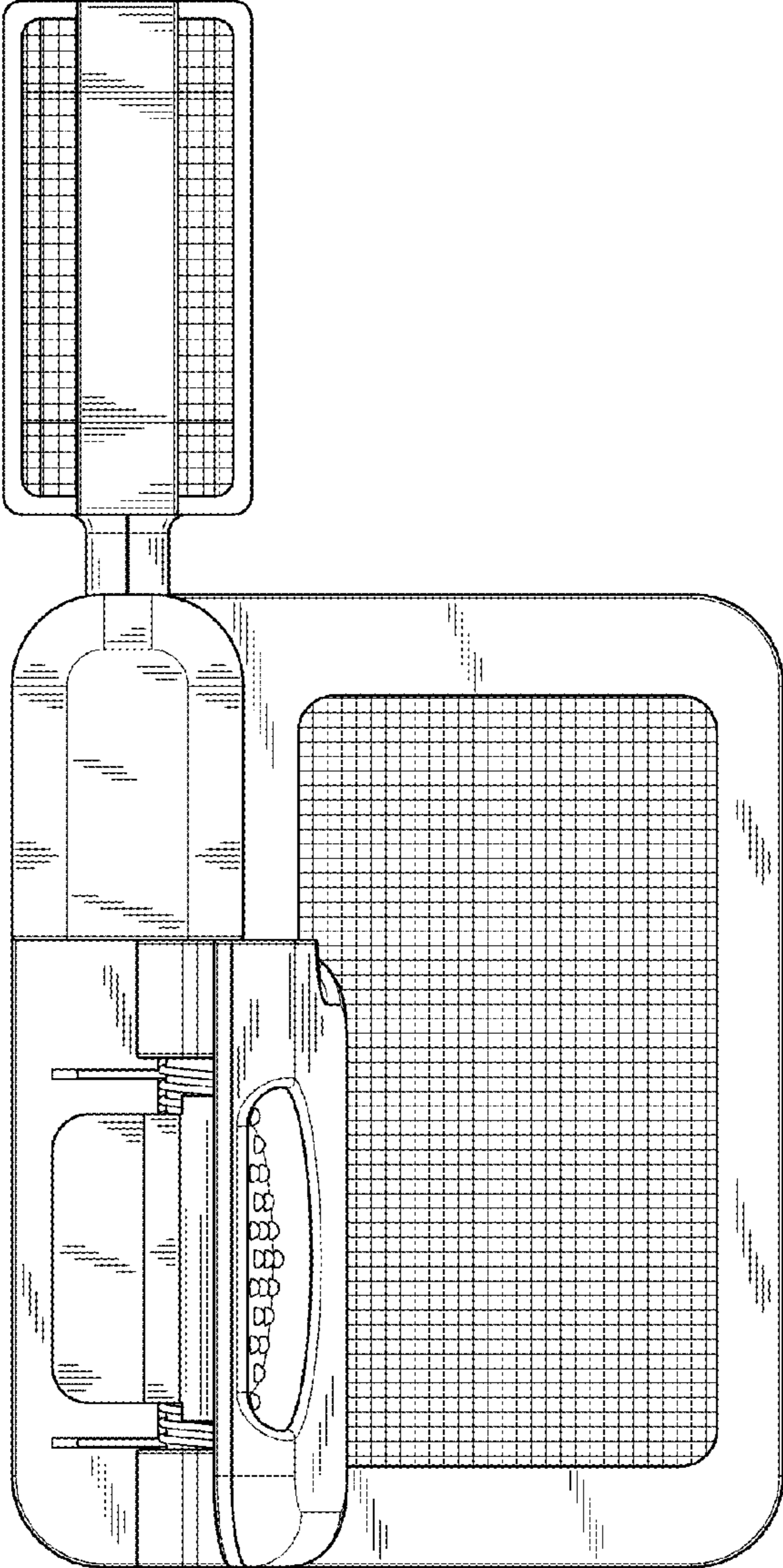


Fig.6

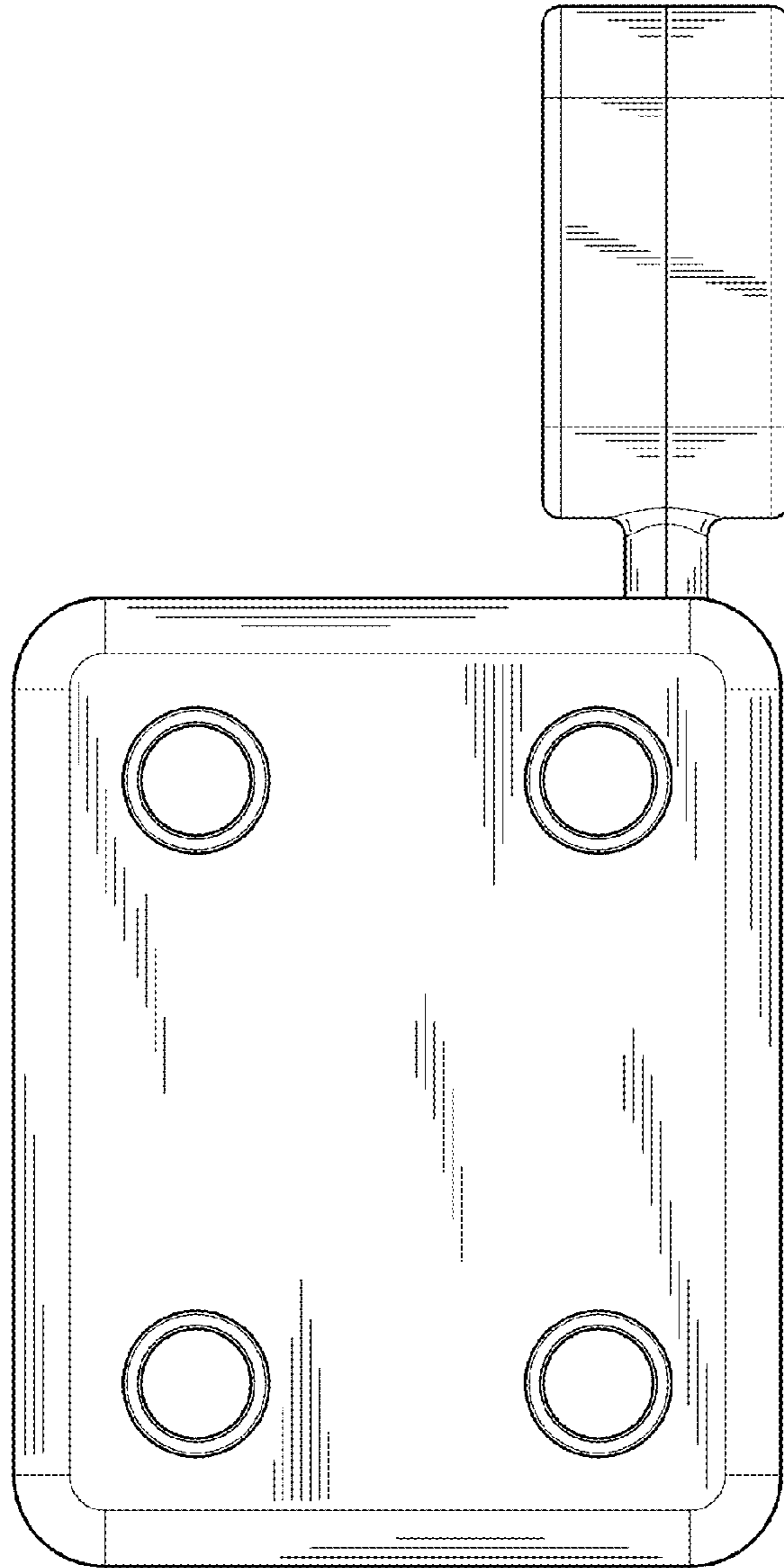


Fig. 7

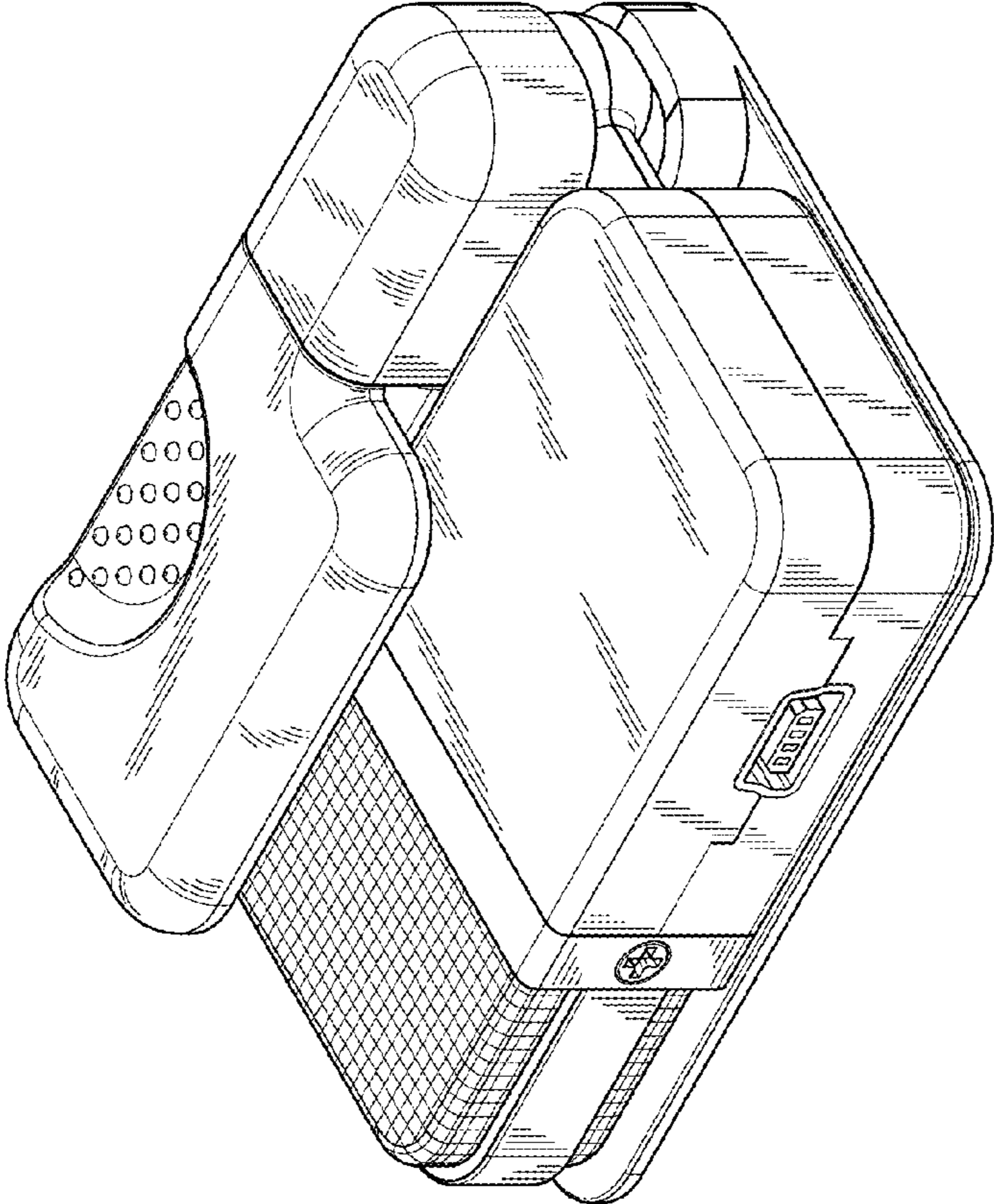


Fig. 8